



US00D712880S

(12) **United States Design Patent**
Lin

(10) **Patent No.:** **US D712,880 S**

(45) **Date of Patent:** **** Sep. 9, 2014**

(54) **EAR PAD**

(71) Applicant: **Kuo Tai Lin**, Dongguan (CN)

(72) Inventor: **Kuo Tai Lin**, Dongguan (CN)

(**) Term: **14 Years**

(21) Appl. No.: **29/433,212**

(22) Filed: **Sep. 27, 2012**

(51) **LOC (10) Cl.** **14-03**

(52) **U.S. Cl.**

USPC **D14/223**; D14/205

(58) **Field of Classification Search**

CPC B60R 11/0217; G06F 1/1688; H04M 1/03;
H04M 1/035; H04M 1/05; H04N 5/642;
H04N 21/4852; H04R 1/02; H04R 1/06;
H04R 1/021; H04R 1/025; H04R 1/026;
H04R 1/028; H04R 1/105; H04R 1/323;
H04R 1/403; H04R 1/2803; H04R 1/2834;
H04R 5/02; H04R 7/20; H04R 9/06; H04R
9/025; H04R 2201/021; H04R 2400/00;
H04R 2400/07; H04R 2499/11; H04R
2499/13; H04R 2499/15; H04S 3/00; H04S
7/30; A61F 9/029; A61F 11/14; A63B 71/10;
A42B 1/22; A42B 1/24; A42B 1/041; A42B
3/16; A42B 3/166

USPC D14/167, 168, 170–172, 188, 194–196,
D14/204, 207, 209.1, 210–216, 221, 222,
D14/224, 225, 227, 228; 181/143, 144, 147,
181/148, 150, 153, 157, 198, 199;
381/300–303, 306, 332, 333, 336, 345,
381/361–364, 386–388; 369/6–12

See application file for complete search history.

(56) **References Cited**

U.S. PATENT DOCUMENTS

1,558,191	A *	10/1925	Lindemann	181/129
2,570,675	A *	10/1951	Morris	128/866
2,622,159	A *	12/1952	Herman	181/129
2,977,426	A *	3/1961	Noyes et al.	181/129
4,170,275	A *	10/1979	Larsen	181/129
D276,855	S *	12/1984	Falco	D29/112
D317,009	S *	5/1991	Stevenson	D14/249
D396,725	S *	8/1998	Brito	D14/249
D397,340	S *	8/1998	Brito	D14/249
D397,341	S *	8/1998	Brito	D14/249
5,913,309	A *	6/1999	Sheehan et al.	128/846
6,386,314	B1 *	5/2002	Sheehan et al.	181/129
D499,847	S *	12/2004	Coutant et al.	D29/122
D547,008	S *	7/2007	Machold	D29/112
D687,189	S *	7/2013	Fairclough et al.	D29/112
2010/0158301	A1 *	6/2010	Kuhtz et al.	381/374

* cited by examiner

Primary Examiner — Keli L Hill

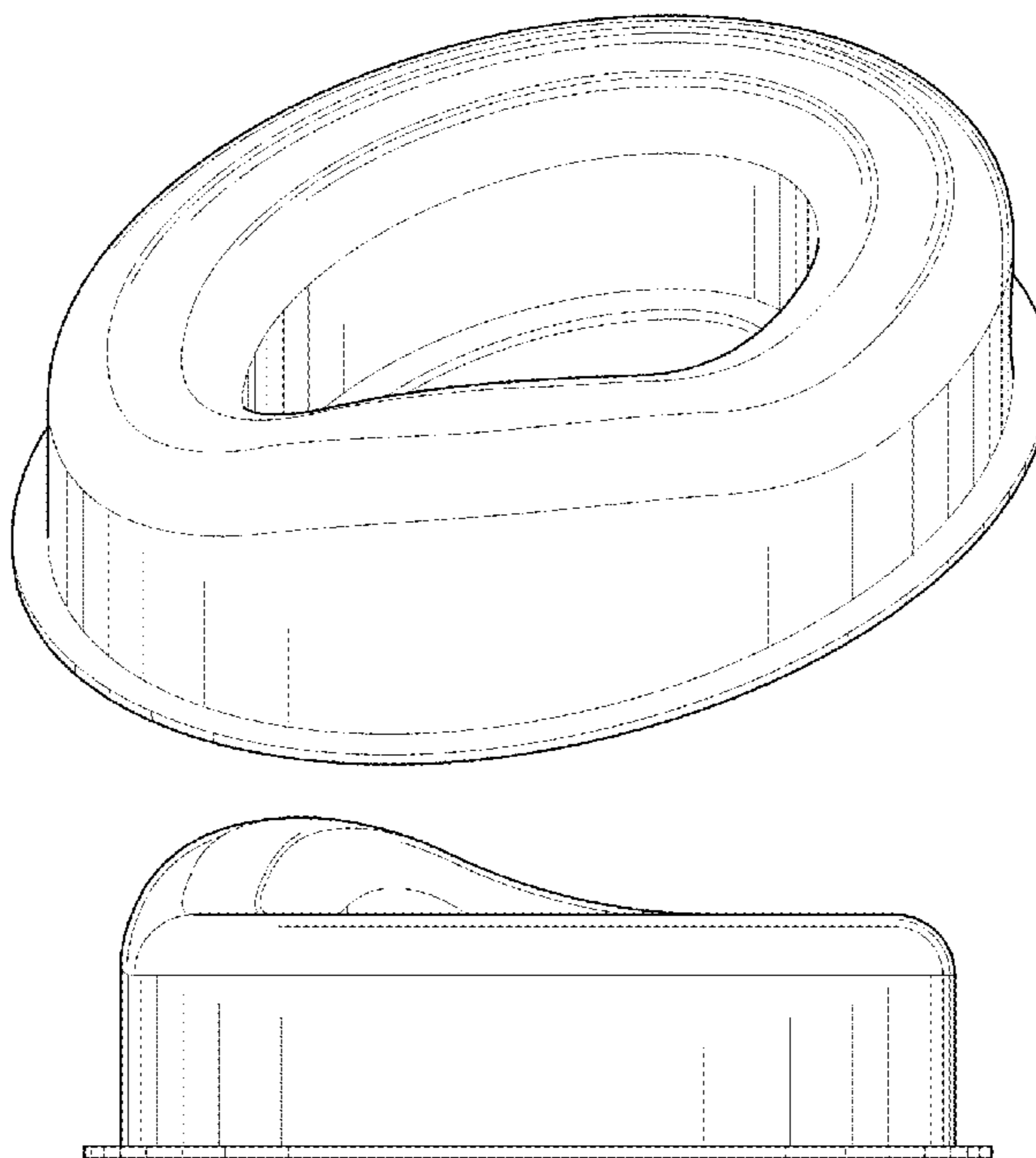
(57) **CLAIM**

The ornamental design for an ear pad, as shown and described.

DESCRIPTION

FIG. 1 is a perspective view of ear pad showing my present design,
FIG. 2 is a front view thereof;
FIG. 3 is a rear view thereof;
FIG. 4 is a left side view thereof;
FIG. 5 is a right side view thereof;
FIG. 6 is a top view thereof; and,
FIG. 7 is a bottom view thereof.

1 Claim, 7 Drawing Sheets



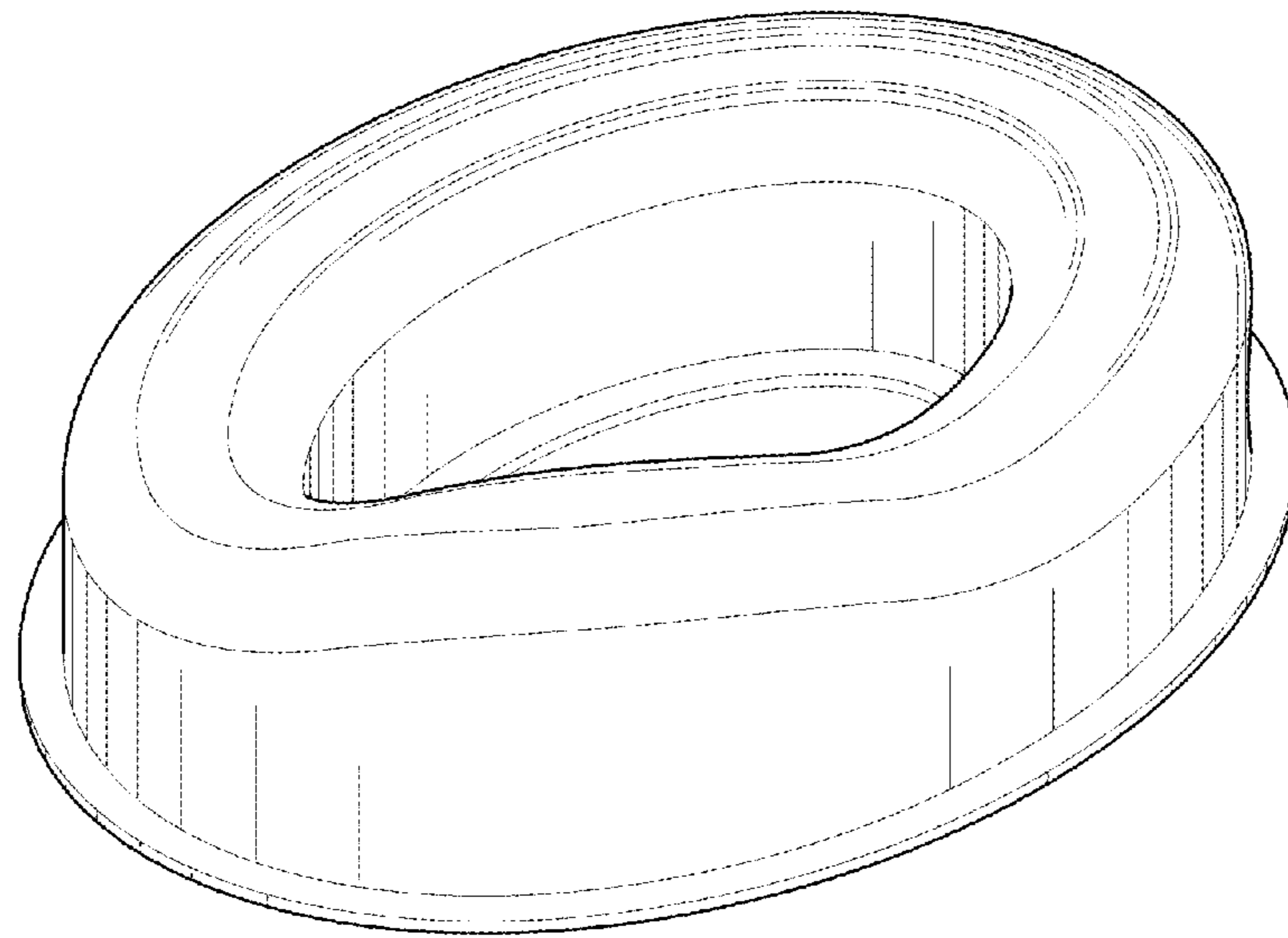


FIG. 1

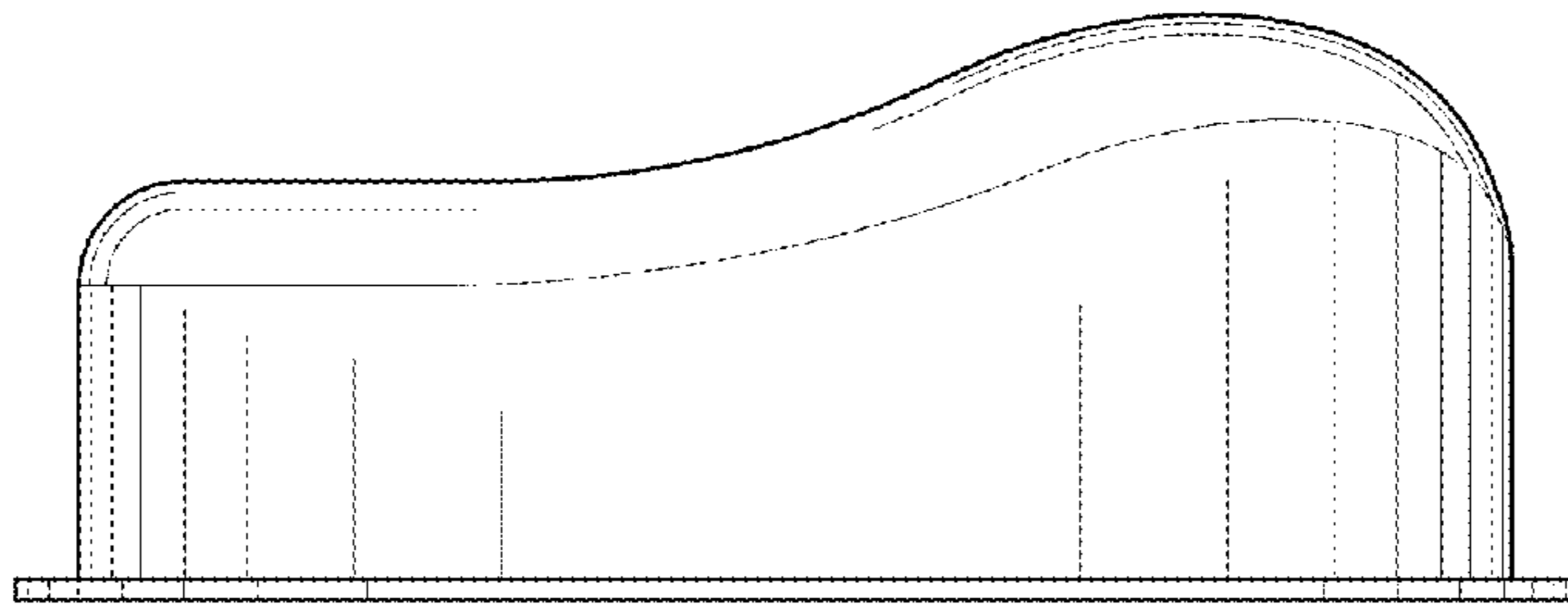


FIG. 2

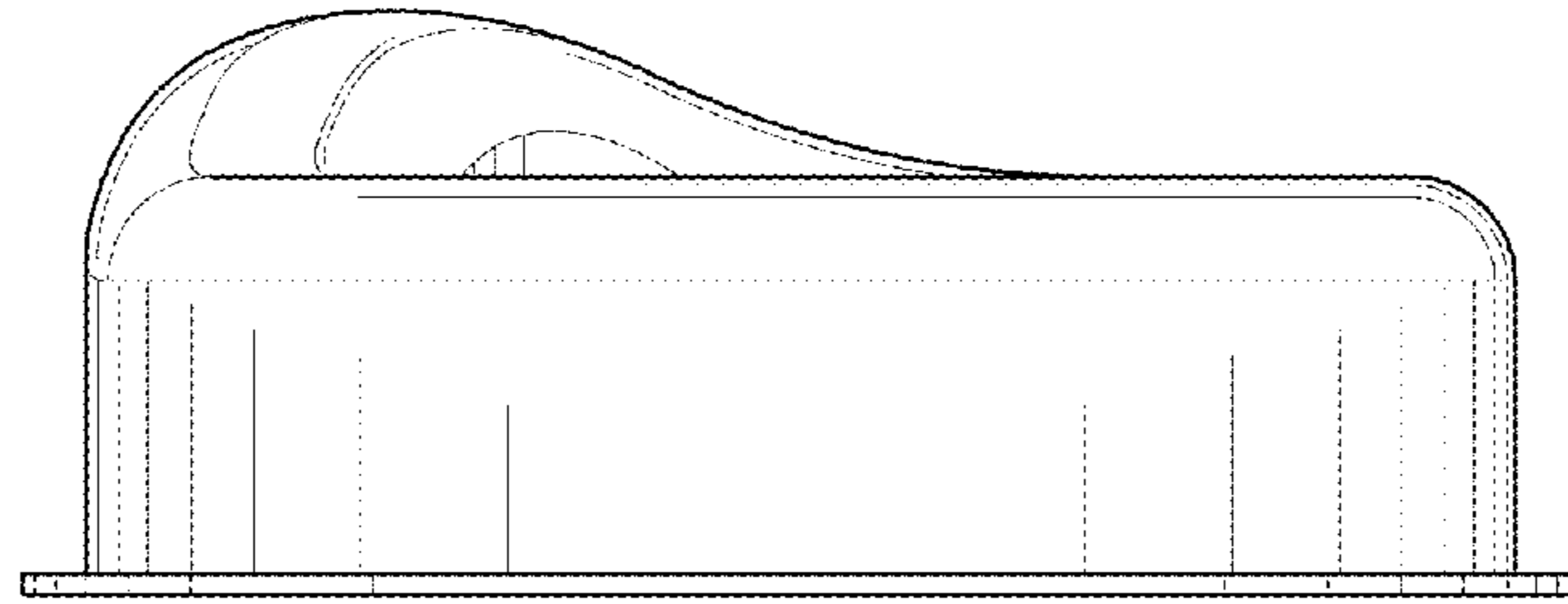


FIG. 3

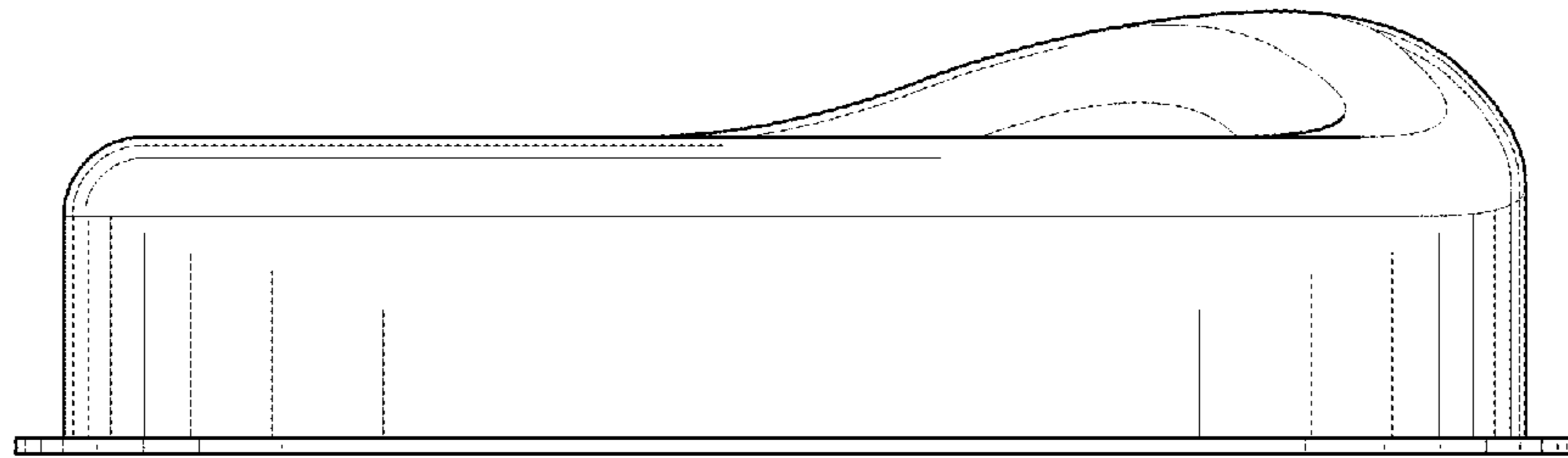


FIG. 4

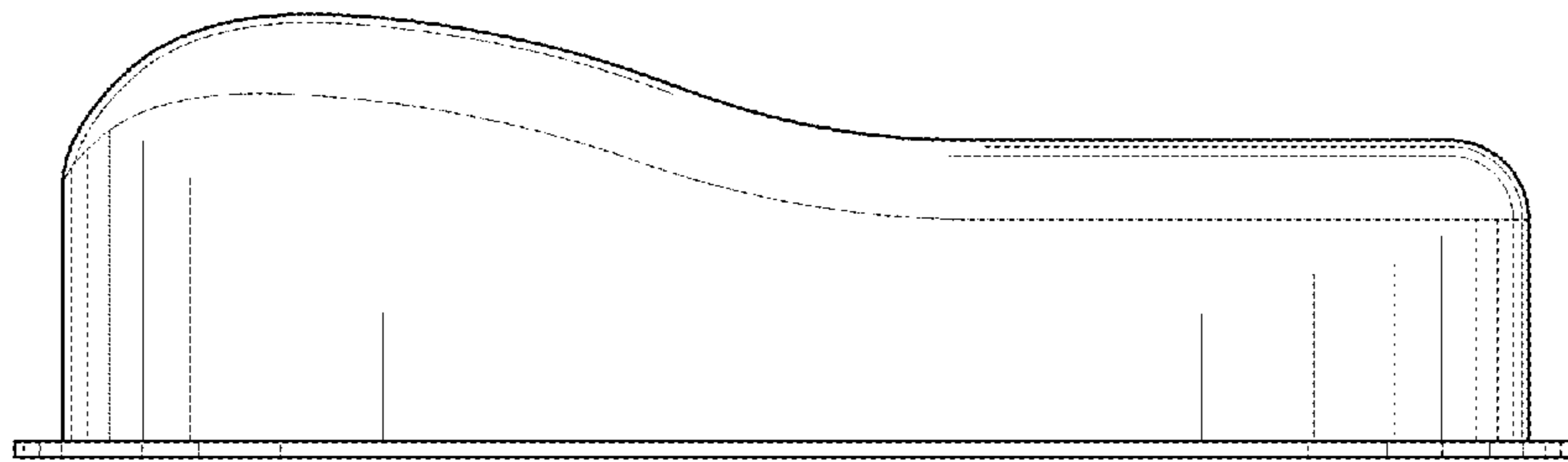


FIG. 5

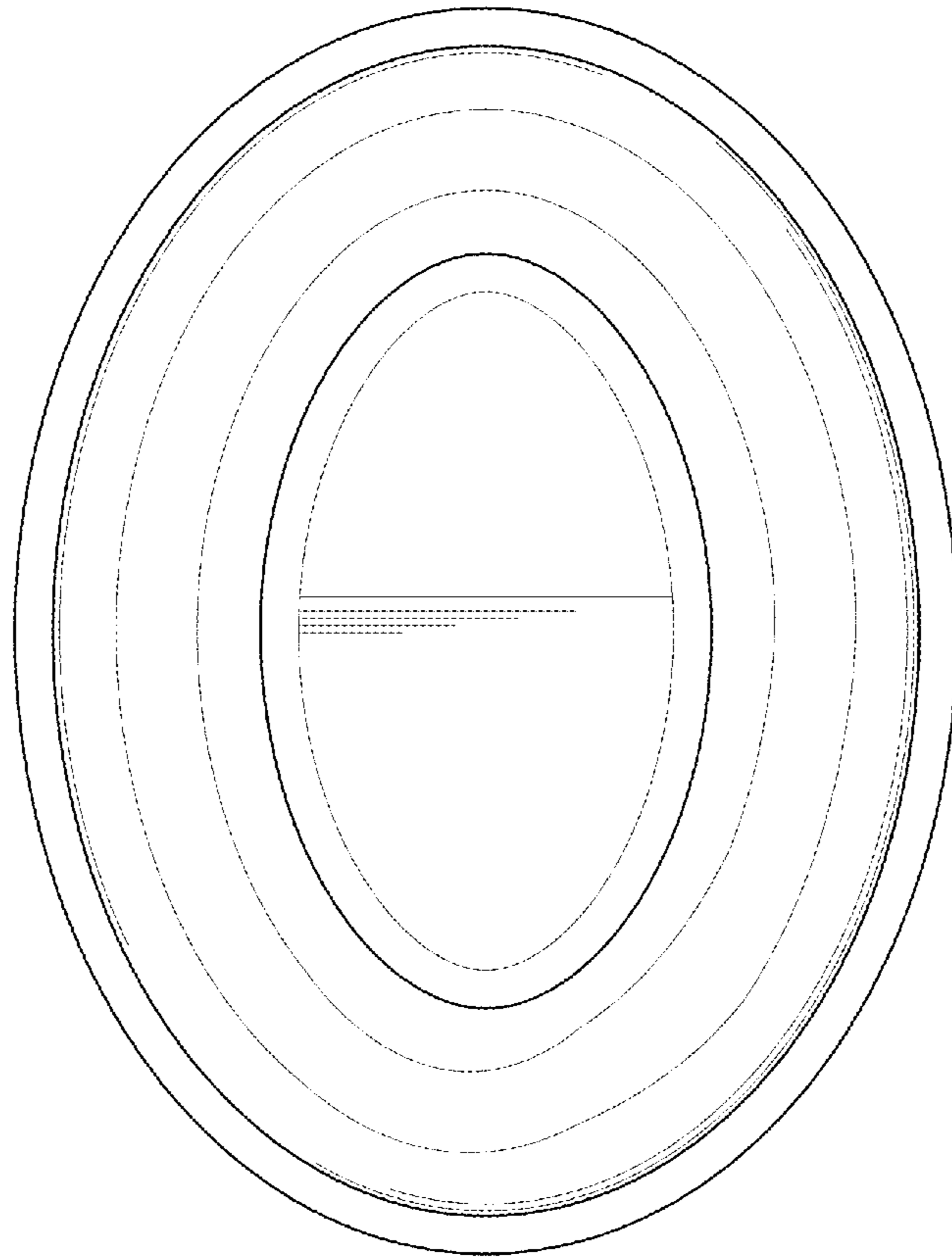


FIG. 6

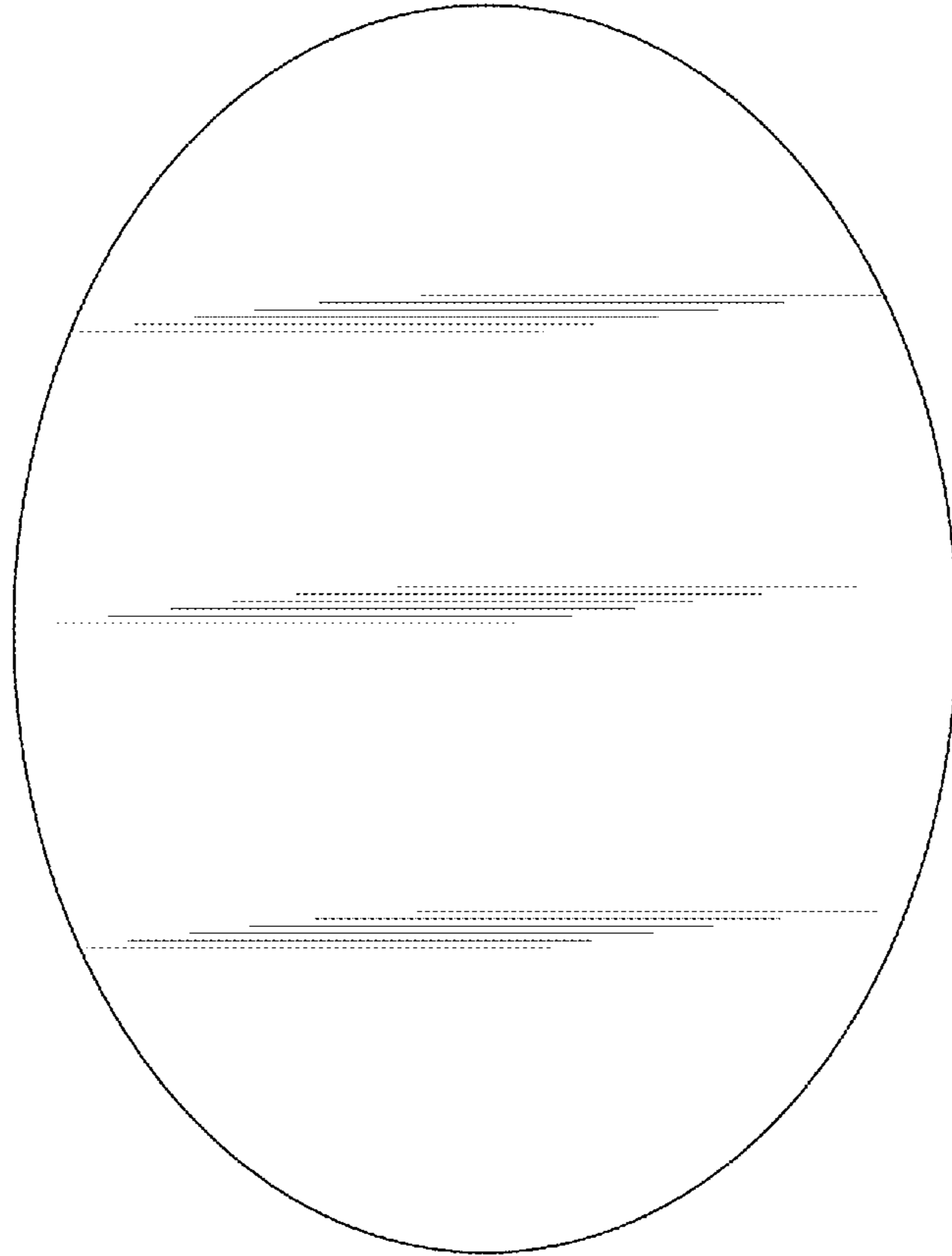


FIG. 7