



US00D712879S

(12) **United States Design Patent**
Naito

(10) **Patent No.:** **US D712,879 S**
(45) **Date of Patent:** **** Sep. 9, 2014**

(54) **SPEAKER**
(75) Inventor: **Takahiro Naito**, Tokyo (JP)
(73) Assignee: **Sony Corporation**, Tokyo (JP)
(**) Term: **14 Years**

D560,658 S * 1/2008 Akaishi et al. D14/221
D570,336 S * 6/2008 Suzuki D14/224
D578,112 S * 10/2008 Naito D14/224
D582,393 S 12/2008 Yokoyama
D589,030 S * 3/2009 Yokoyama D14/216
D593,073 S * 5/2009 Kurihara D14/216
D635,551 S * 4/2011 Wada D14/216
D635,553 S 4/2011 Yagihashi et al.

(21) Appl. No.: **29/371,892**
(22) Filed: **Jan. 5, 2012**

FOREIGN PATENT DOCUMENTS

JP D1271024 S 5/2006

* cited by examiner

(30) **Foreign Application Priority Data**

Dec. 29, 2011 (CN) 2011 3 0504688

(51) **LOC (10) CL.** **14-03**

(52) **U.S. Cl.**

USPC **D14/221**; D14/224

(58) **Field of Classification Search**

CPC H04M 1/03; H04M 1/035; H04R 1/02;
H04R 1/06; H04R 1/021; H04R 1/025;
H04R 1/026; H04R 1/105; H04R 1/323;
H04R 1/345; H04R 1/403; H04R 1/2803;
H04R 1/2834; H04R 5/02; H04R 7/20;
H04R 9/06; H04R 9/025; H04R 2201/021;
H04R 2400/07; H04R 2499/11; H04R
2499/13; H04R 2499/15; G06F 1/1688
USPC D14/167, 168, 170–172, 188, 194–196,
D14/204, 207, 209.1, 210–217, 221, 222,
D14/224; 181/143, 144, 147, 148, 150, 153,
181/157, 198, 199; 381/300–303, 306, 332,
381/333, 336, 345, 361–364, 386–388;
369/6–12

See application file for complete search history.

(56) **References Cited**

U.S. PATENT DOCUMENTS

D503,701 S * 4/2005 Suzuki D14/511
D522,496 S * 6/2006 Smith et al. D14/221
D522,497 S * 6/2006 Morisawa D14/221
D523,849 S * 6/2006 Ishikawa et al. D14/221
D554,620 S * 11/2007 Shiono D14/216

Primary Examiner — Keli L Hill

(74) *Attorney, Agent, or Firm* — Rader, Fishman & Grauer
PLLC

(57) **CLAIM**

The ornamental design for a speaker, as shown and described.

DESCRIPTION

FIG. 1 is a perspective view of a first embodiment of a speaker showing my new design;
FIG. 2 is a front elevational view thereof;
FIG. 3 is a left side elevational view thereof;
FIG. 4 is a right side elevational view thereof;
FIG. 5 is a top plan view thereof; and
FIG. 6 is a bottom plan view thereof.
FIG. 7 is a perspective view of a second embodiment of a speaker showing my new design;
FIG. 8 is a front elevational view thereof;
FIG. 9 is a left side elevational view thereof;
FIG. 10 is a right side elevational view thereof;
FIG. 11 is a top plan view thereof; and
FIG. 12 is a bottom plan view thereof.

The dot-dot-dash broken lines immediately adjacent the shaded areas represent the bounds of the claimed design while all other broken lines are included for the purpose of illustrating portions of the Speaker; the broken lines form no part of the claimed design.

1 Claim, 8 Drawing Sheets

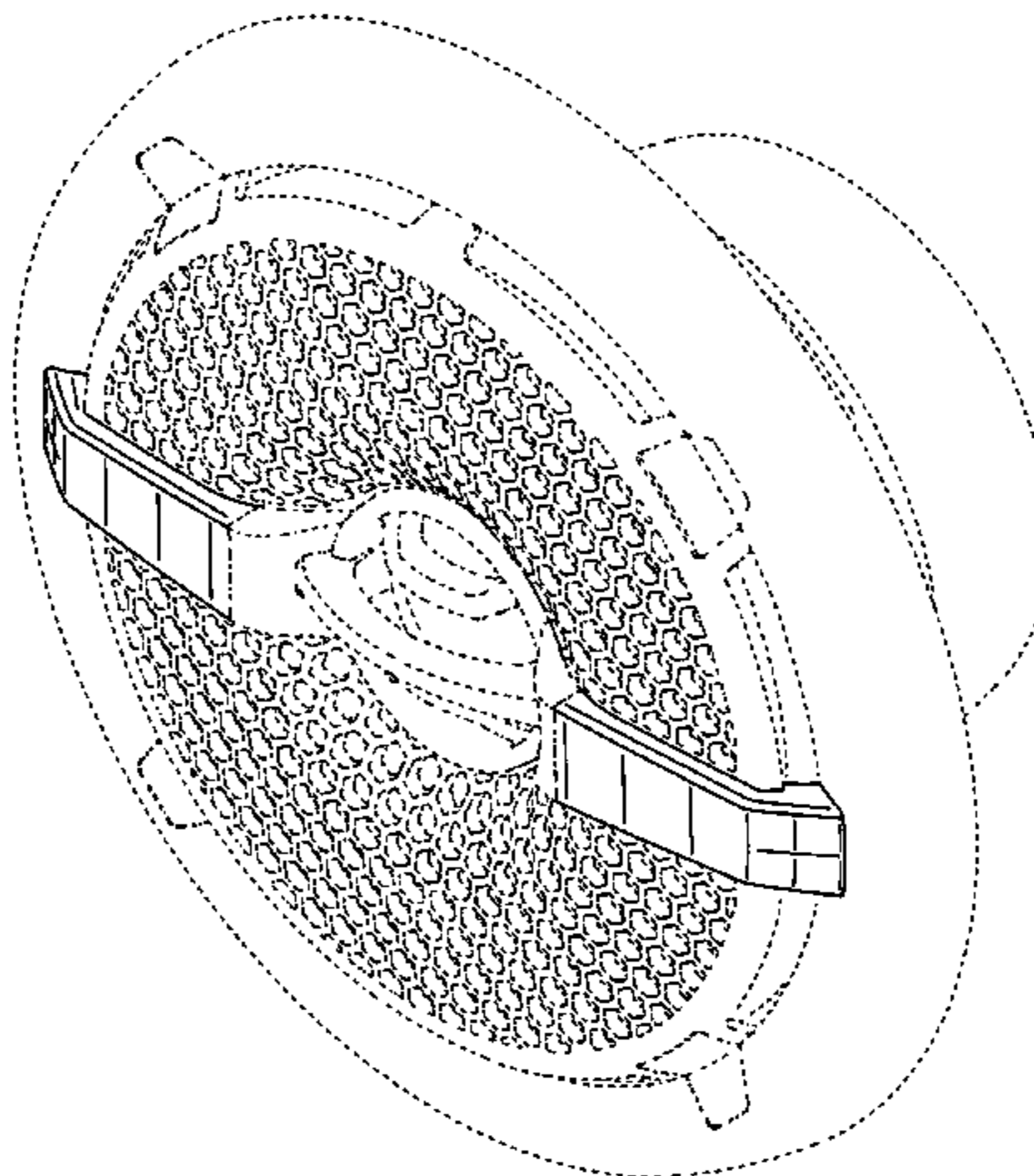


FIG.1

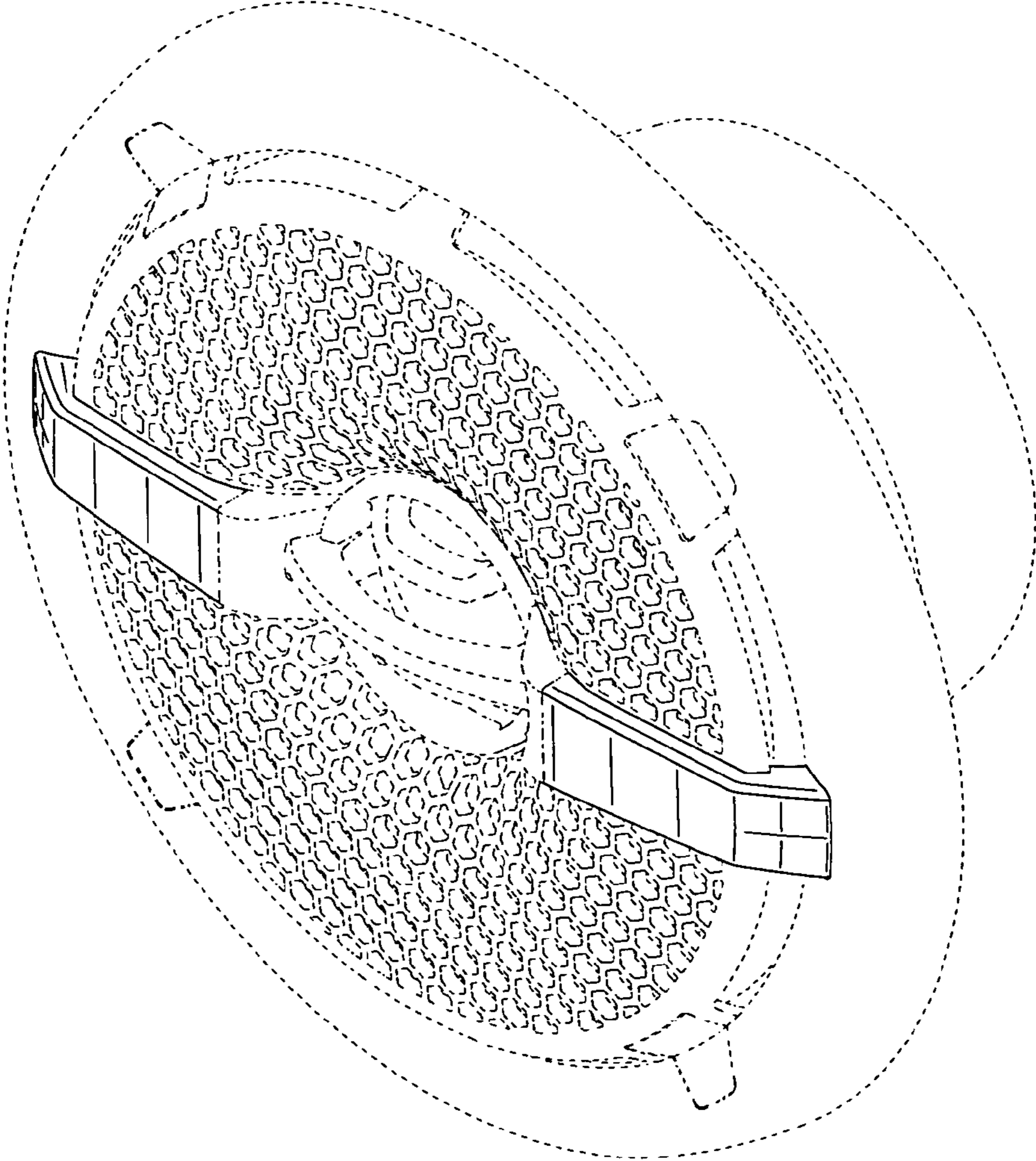
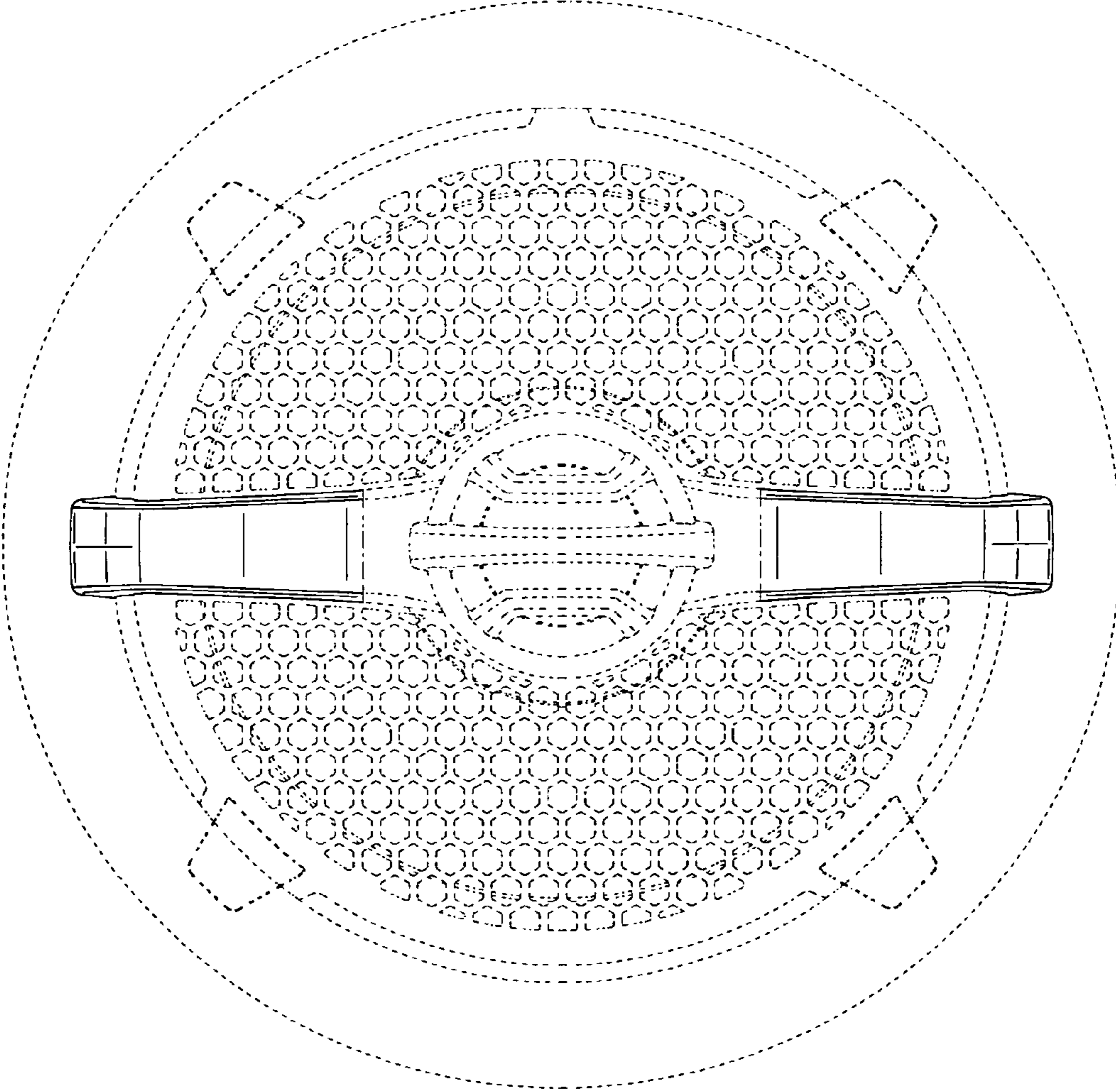


FIG.2



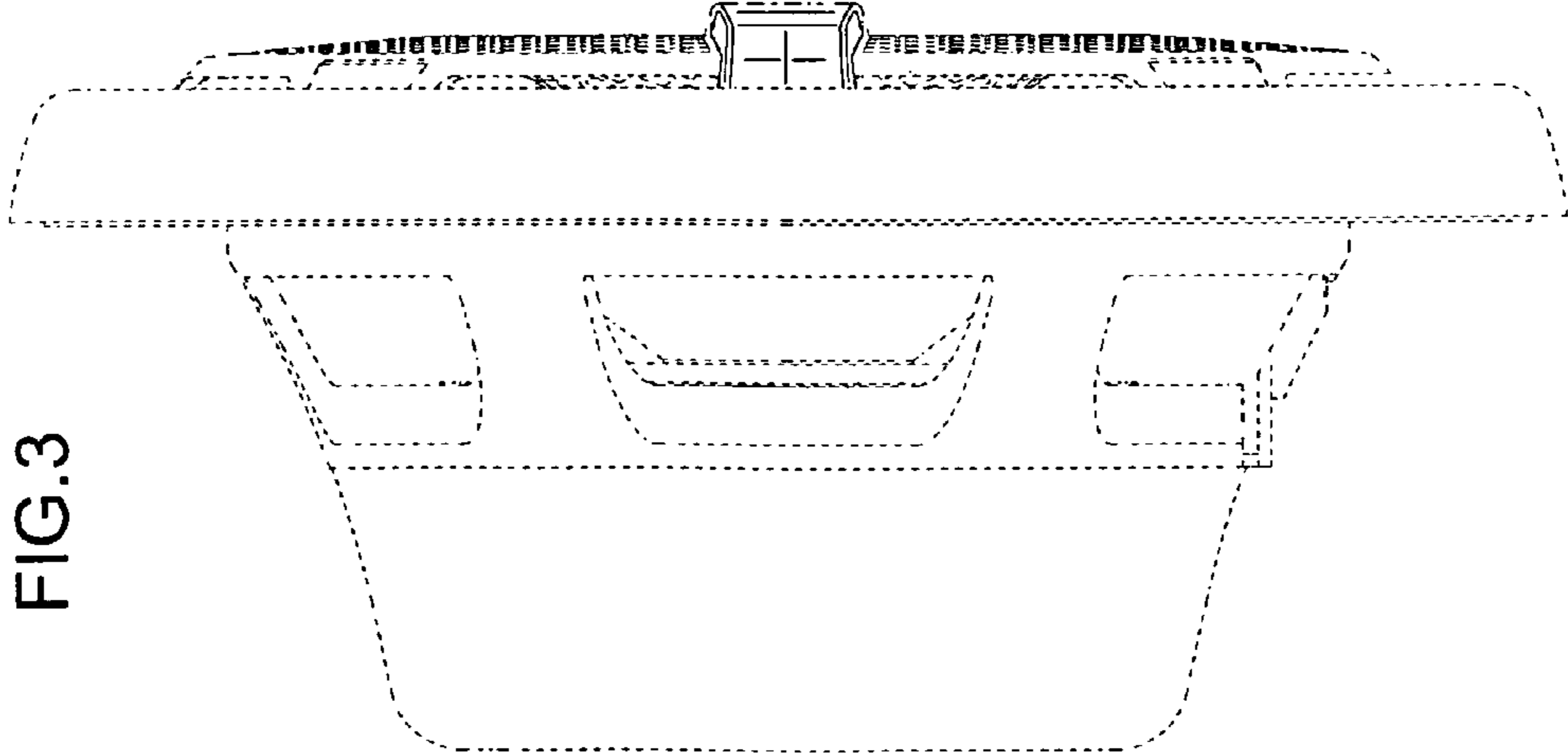
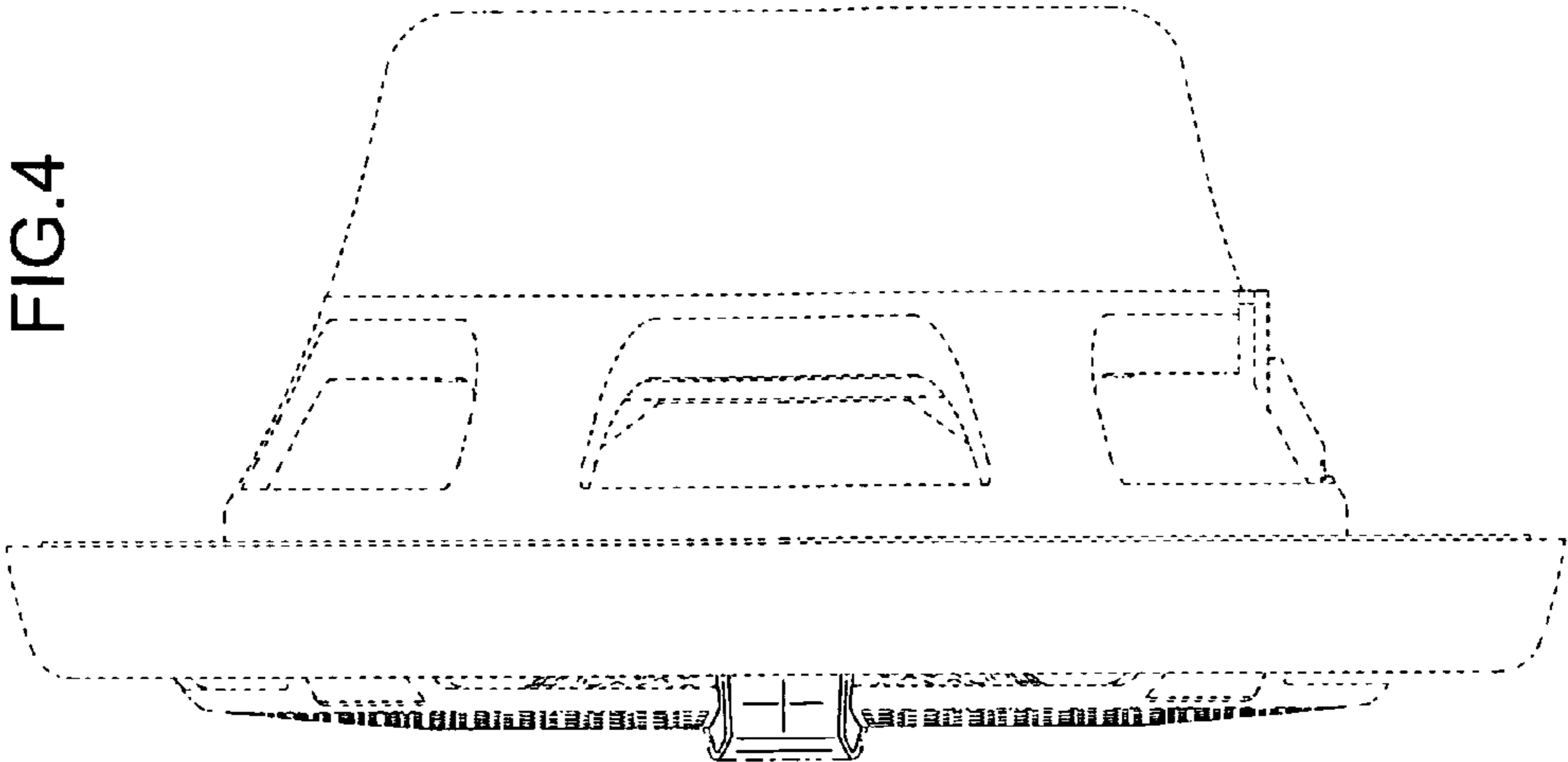


FIG.5

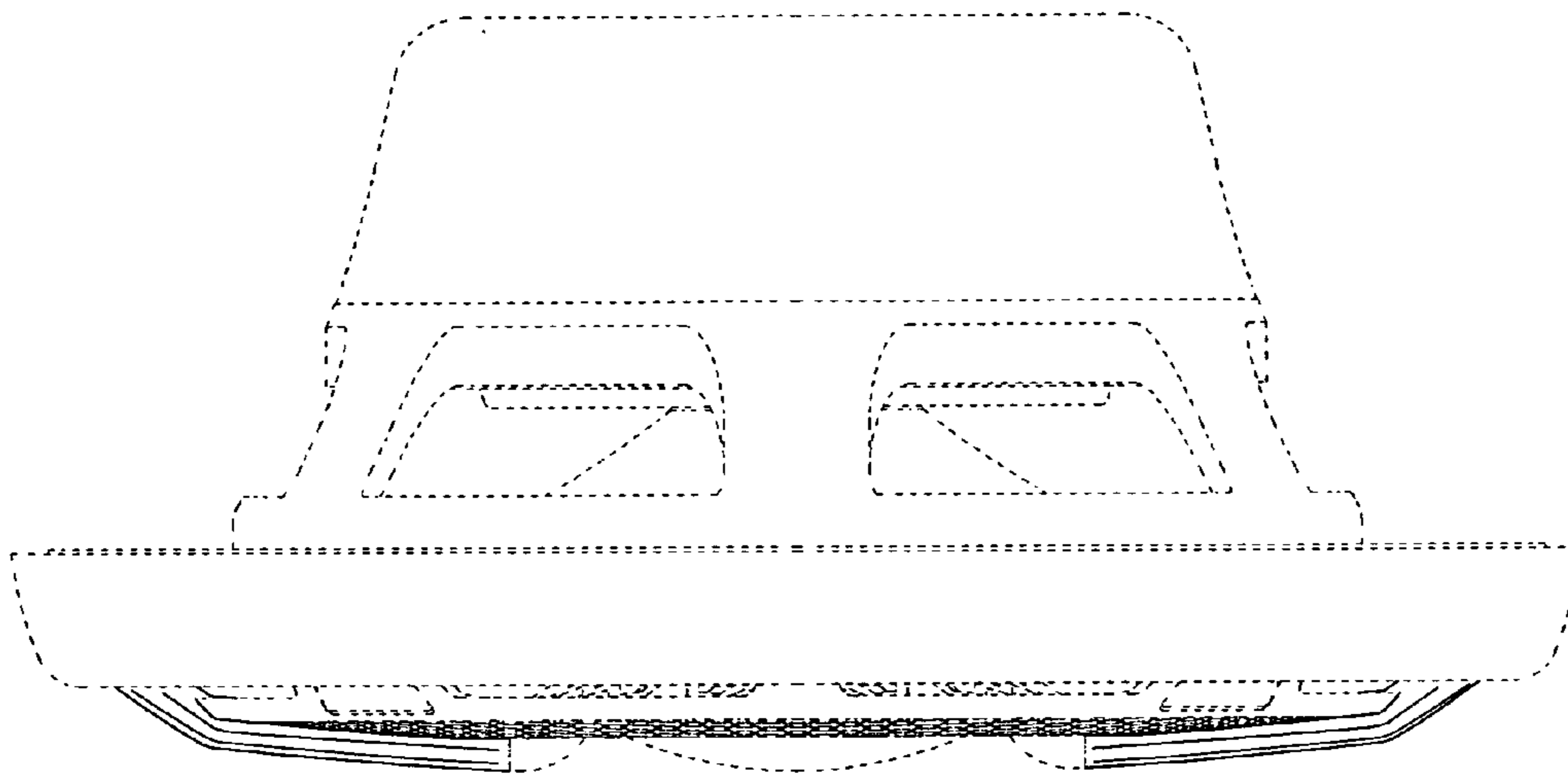


FIG.6

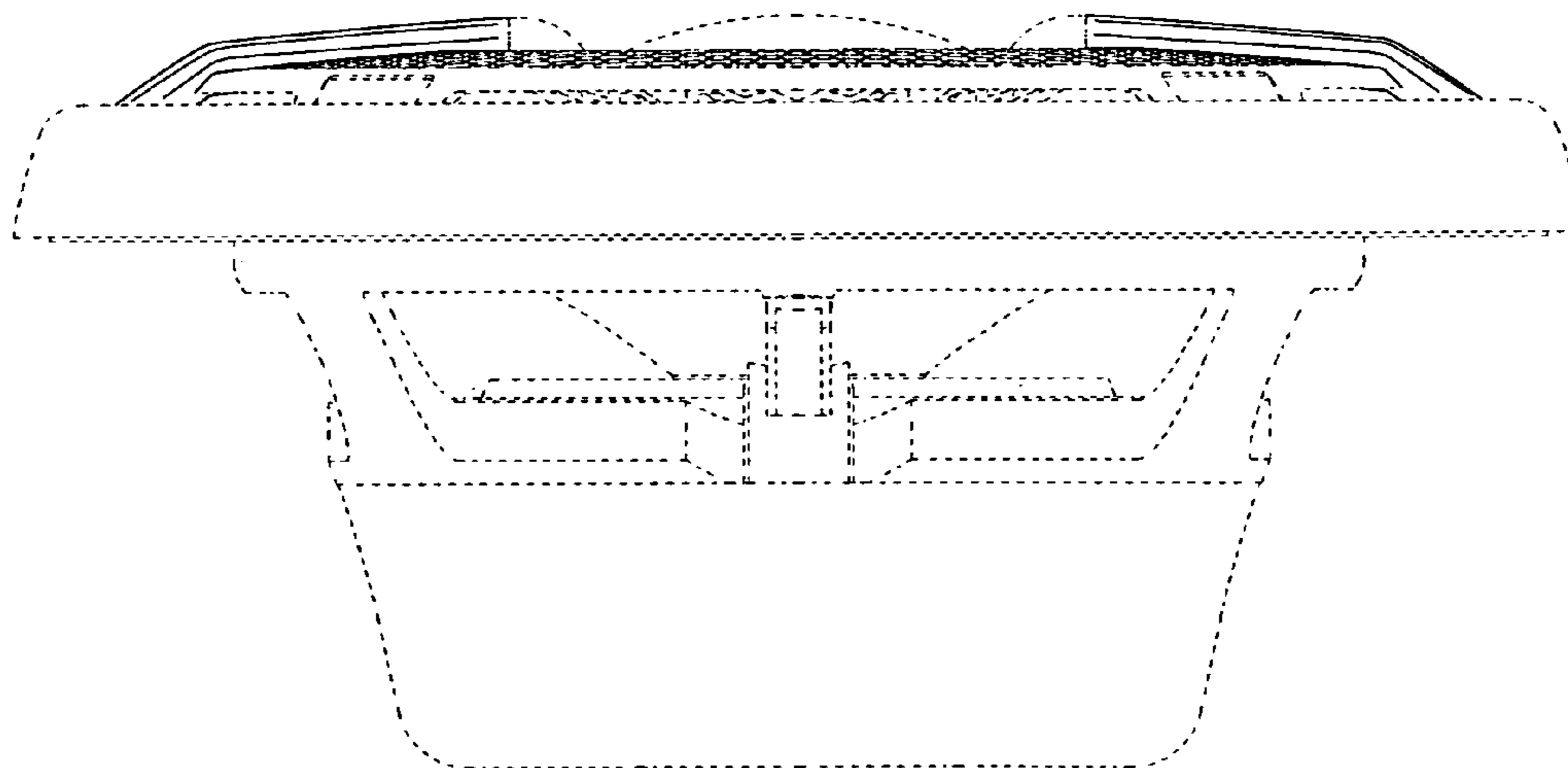


FIG.7

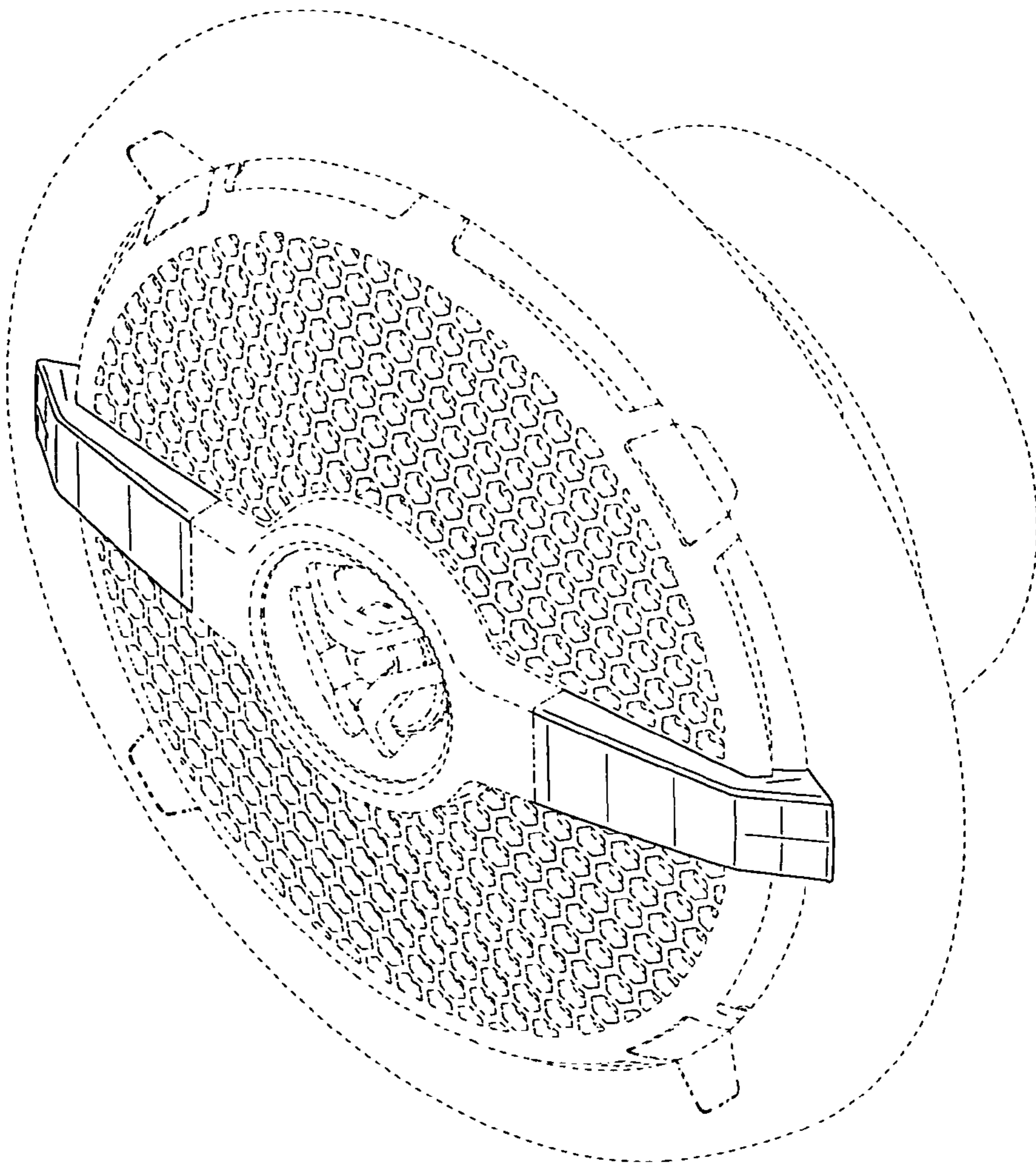


FIG.8

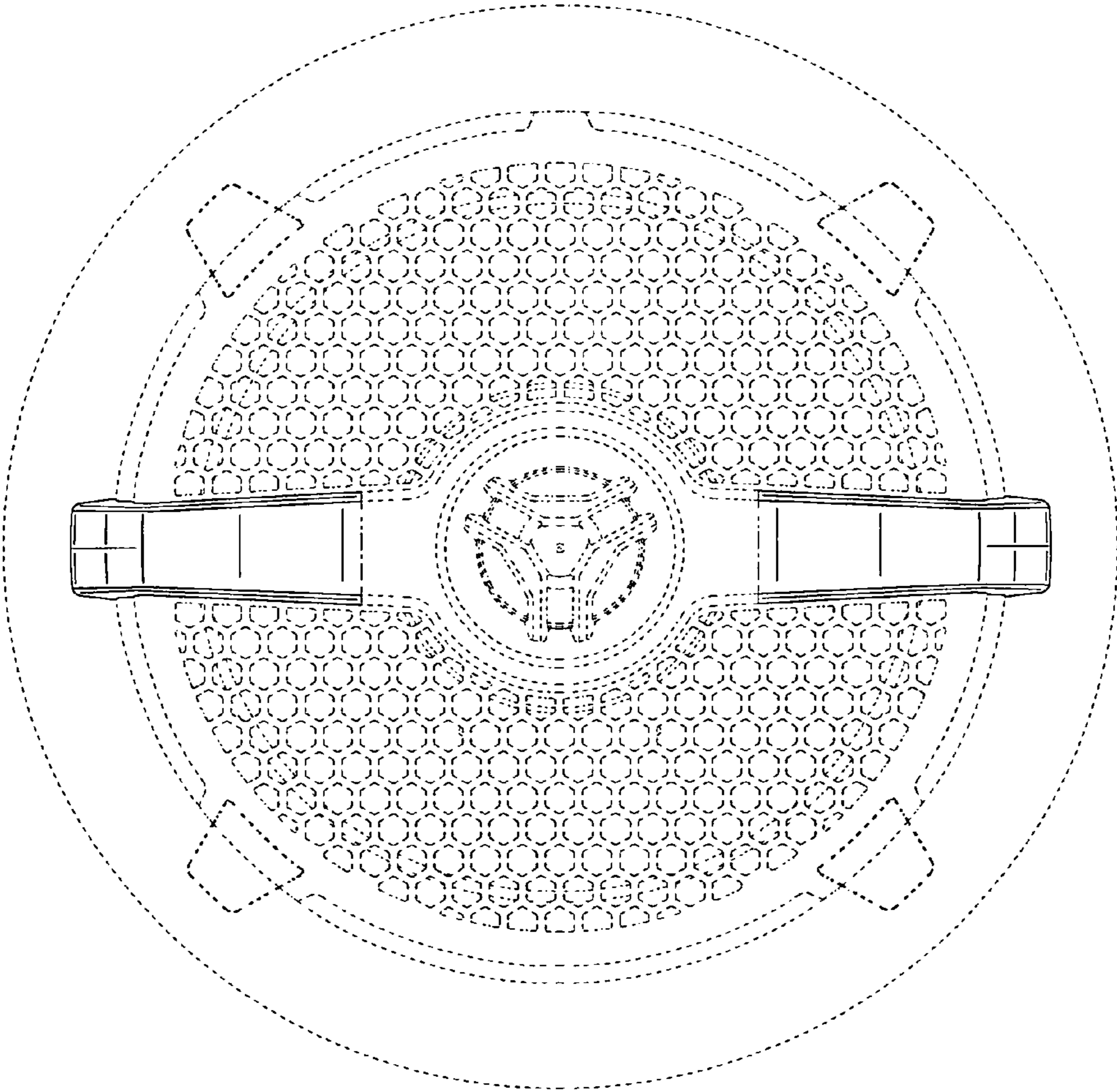


FIG.10

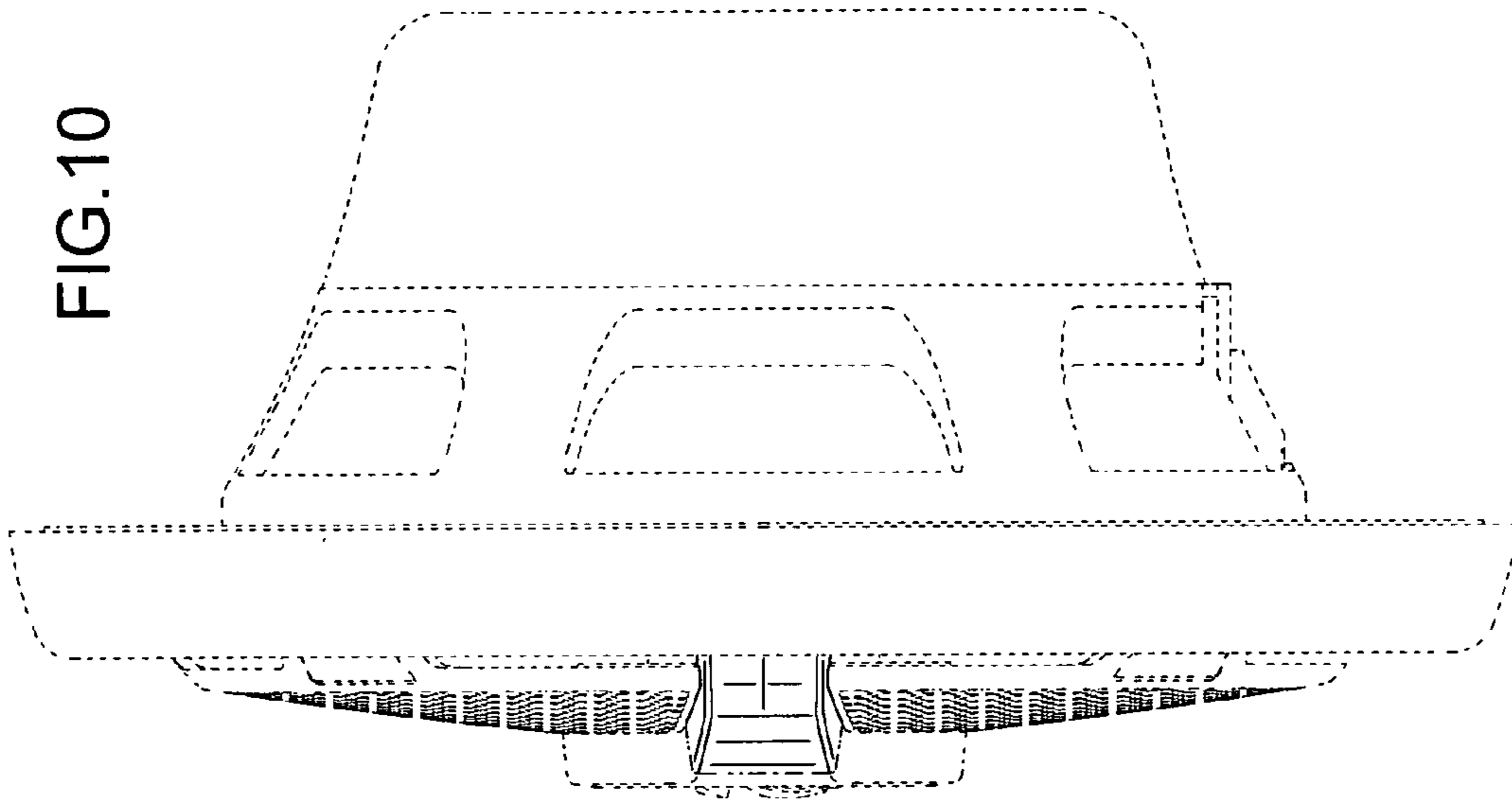


FIG.9

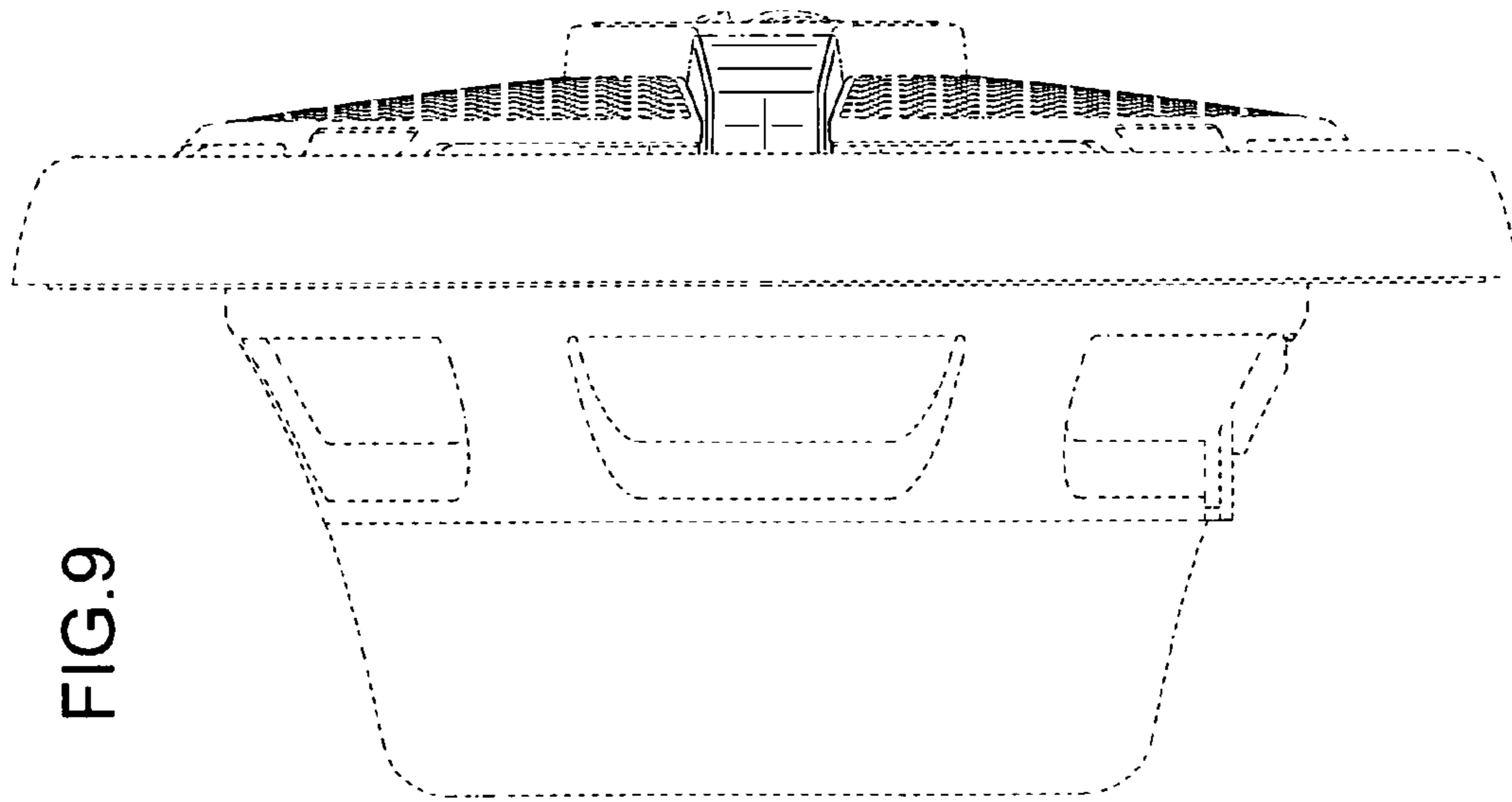


FIG.11

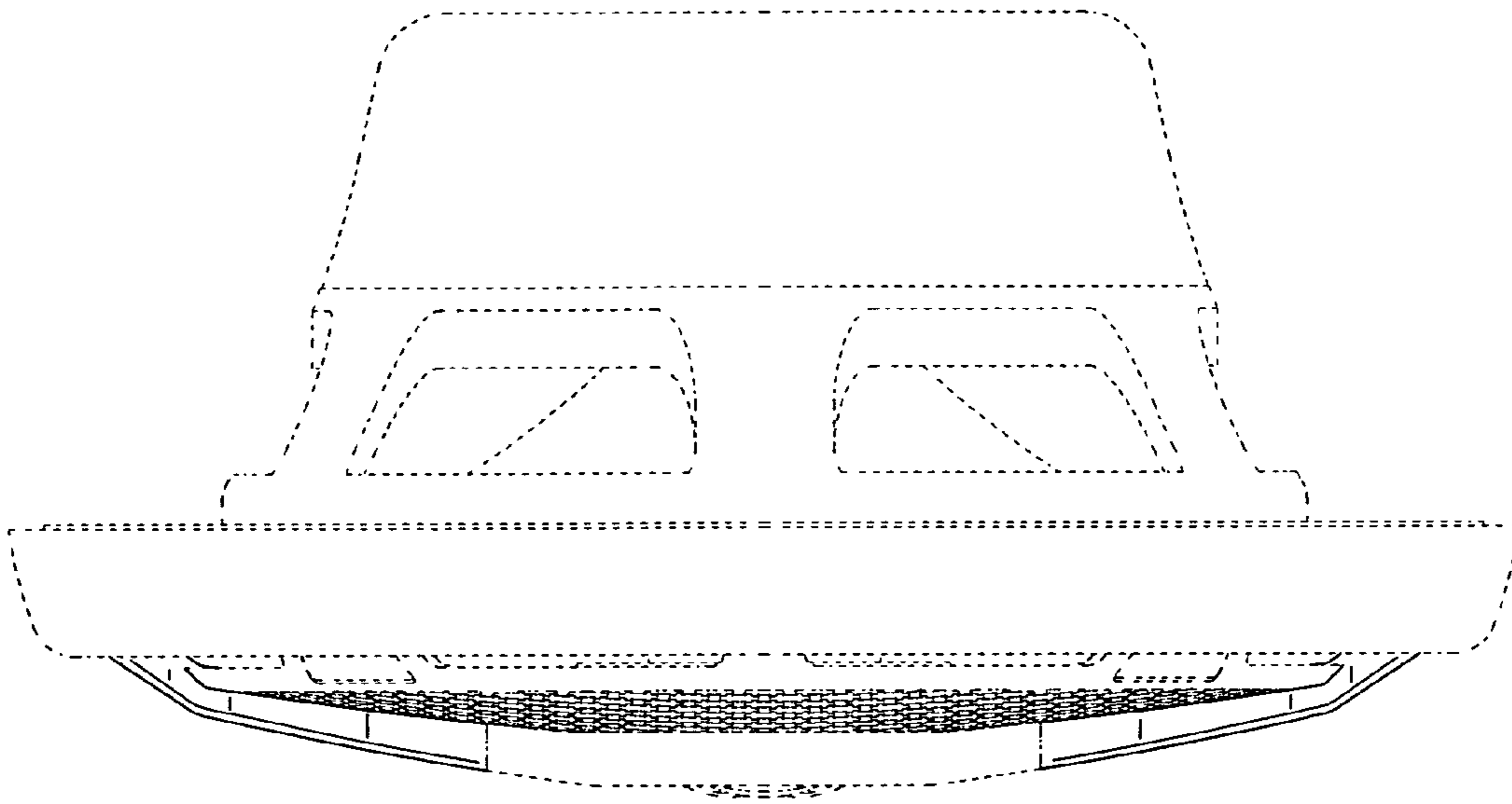


FIG.12

