



US00D712873S

(12) **United States Design Patent**
Krauss et al.

(10) **Patent No.:** **US D712,873 S**
(45) **Date of Patent:** **** Sep. 9, 2014**

(54) **SET OF HEADPHONES AND BATTERY PACK**

(56) **References Cited**

(71) Applicant: **Bose Corporation**, Framingham, MA (US)

U.S. PATENT DOCUMENTS

(72) Inventors: **Kevin M. Krauss**, Sudbury, MA (US);
Julie E. Tierney, Shrewsbury, MA (US);
Michael E. Laude, Upton, MA (US);
Jonathan D. Turner, Natick, MA (US);
Kenneth D. Gagnon, Westminster, MA (US);
Nathan David Schaal, Cambridge, MA (US);
Adam A. Carr, Southborough, MA (US);
Robert A. Warden, Southborough, MA (US)

D305,717	S	*	1/1990	Soren et al.	D13/103
D316,550	S	*	4/1991	Sogabe	D14/168
D326,655	S	*	6/1992	Iribe	D14/192
D333,651	S	*	3/1993	Itou et al.	D13/108
D334,043	S	*	3/1993	Taniguchi et al.	D14/218
6,122,369	A	*	9/2000	Hwang et al.	379/420.04
D465,479	S	*	11/2002	Tourres	D14/230
D479,225	S	*	9/2003	De Saulles	D14/218
D558,735	S	*	1/2008	Carr et al.	D14/206
D566,695	S	*	4/2008	Rath	D14/223
D569,841	S	*	5/2008	Chung et al.	D14/205
D582,389	S	*	12/2008	Bose et al.	D14/205
D582,889	S	*	12/2008	Bose et al.	D14/205
D584,284	S	*	1/2009	Carr et al.	D14/206
7,912,515	B2	*	3/2011	Infanti	455/573
D641,737	S	*	7/2011	Krauss et al.	D14/223
8,073,181	B2	*	12/2011	Bakalos et al.	381/384

(73) Assignee: **Bose Corporation**, Framingham, MA (US)

(Continued)

(**) Term: **14 Years**

Primary Examiner — Paula Greene

(21) Appl. No.: **29/469,204**

(57) **CLAIM**

The ornamental design for a set of headphones and battery pack, substantially as shown and described.

(22) Filed: **Oct. 8, 2013**

DESCRIPTION

Related U.S. Application Data

(62) Division of application No. 29/442,837, filed on Jan. 24, 2013, now Pat. No. Des. 697,049.

(51) **LOC (10) Cl.** **14-01**

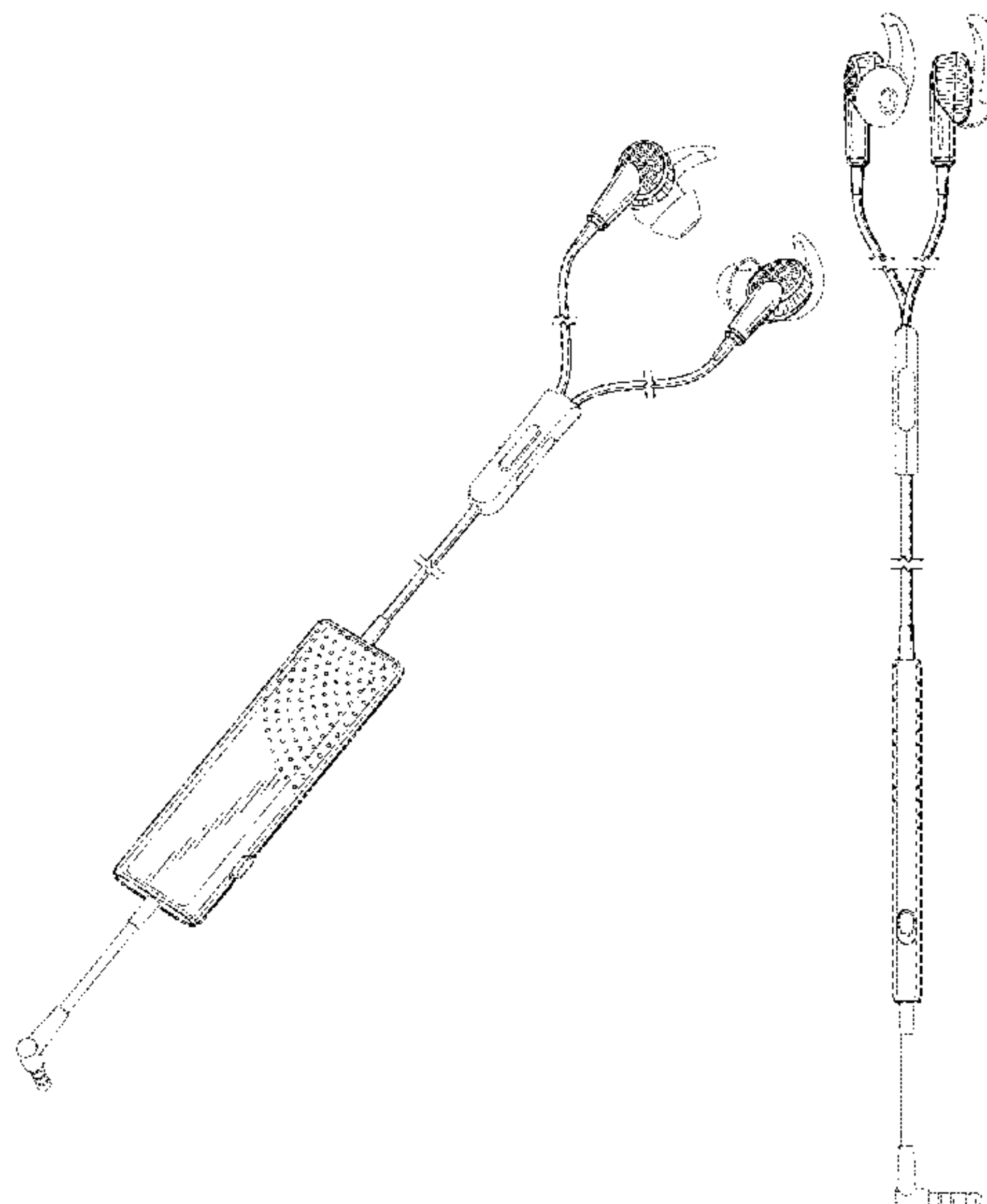
(52) **U.S. Cl.**
USPC **D14/205**

(58) **Field of Classification Search**
CPC H04R 25/00
USPC D14/205, 206, 223; D13/108, 119;
181/129, 130.135; 379/430, 431;
381/374, 380, 381; 455/90.3, 575.1
See application file for complete search history.

FIG. 1 is a perspective view of a set of headphones with a control module and battery pack as seen from the front, bottom, and left side;
FIG. 2 is a front view thereof;
FIG. 3 is a back view thereof;
FIG. 4 is a right side view thereof;
FIG. 5 is a left side view thereof;
FIG. 6 is a top end view thereof;
FIG. 7 is a bottom end view thereof; and,
FIG. 8 is a detailed perspective view of the headphones of FIGS. 1 through 7 as seen from the front, bottom, and left side.

The dotted line portions of the drawings represent environmental structure only and do not form part of the claimed design.

1 Claim, 5 Drawing Sheets



(56)

References Cited

U.S. PATENT DOCUMENTS

D659,117 S * 5/2012 Krauss et al. D14/205
D684,950 S * 6/2013 Schaal et al. D14/205
D684,953 S * 6/2013 Schaal et al. D14/223

D686,191 S * 7/2013 Schaal et al. D14/205
D695,267 S * 12/2013 Schaal et al. D14/205
D697,049 S * 1/2014 Krauss et al. D14/205
D699,703 S * 2/2014 Schaal et al. D14/205

* cited by examiner

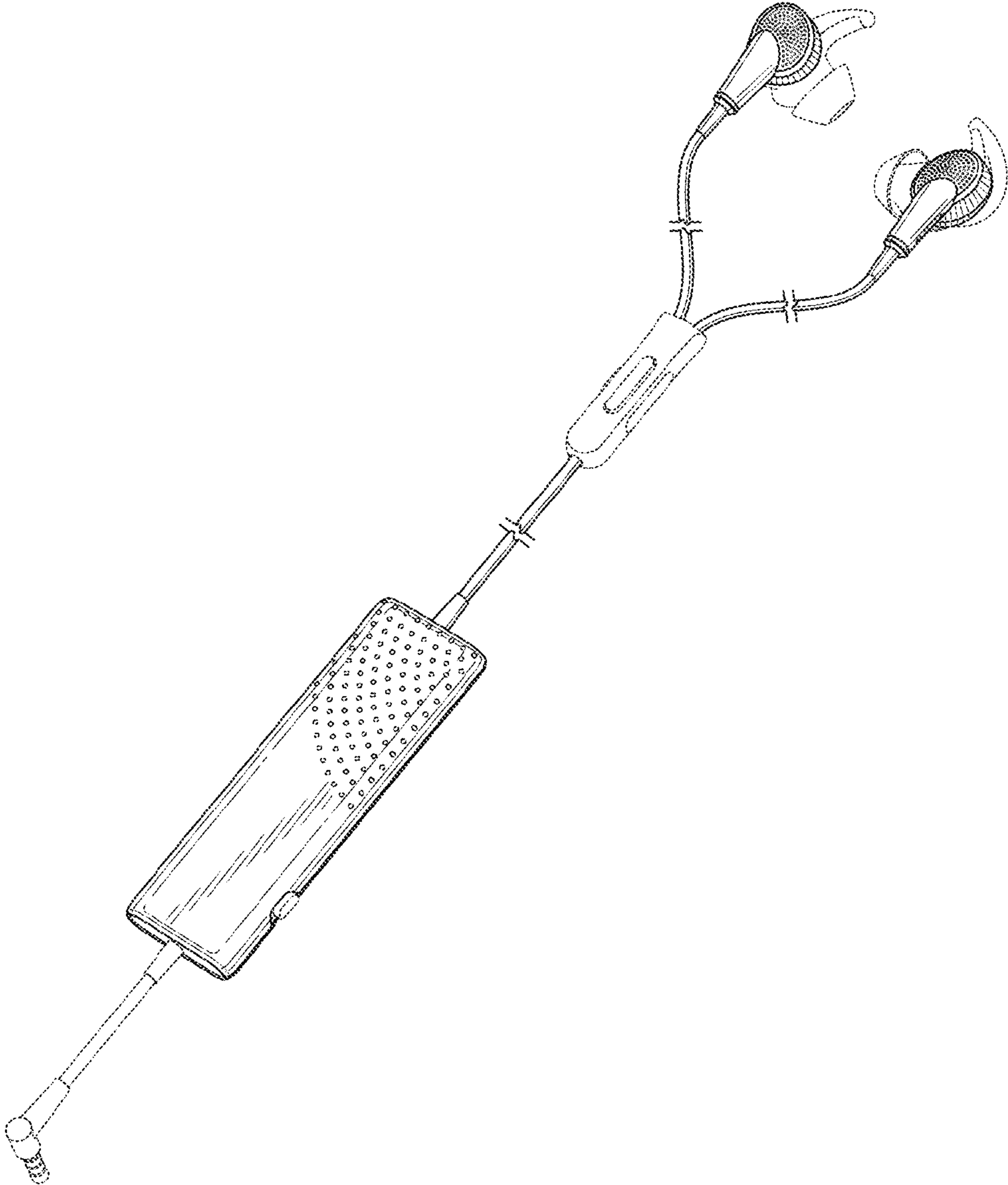


FIG. 1

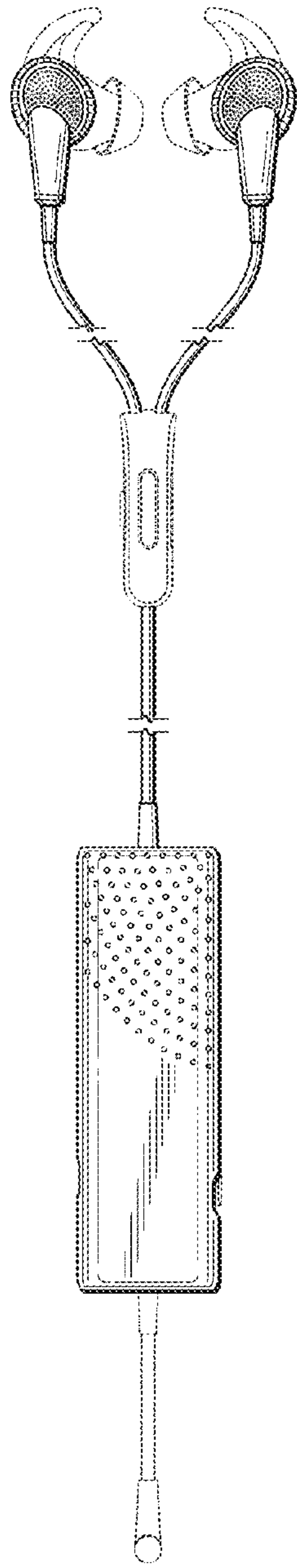


FIG. 2

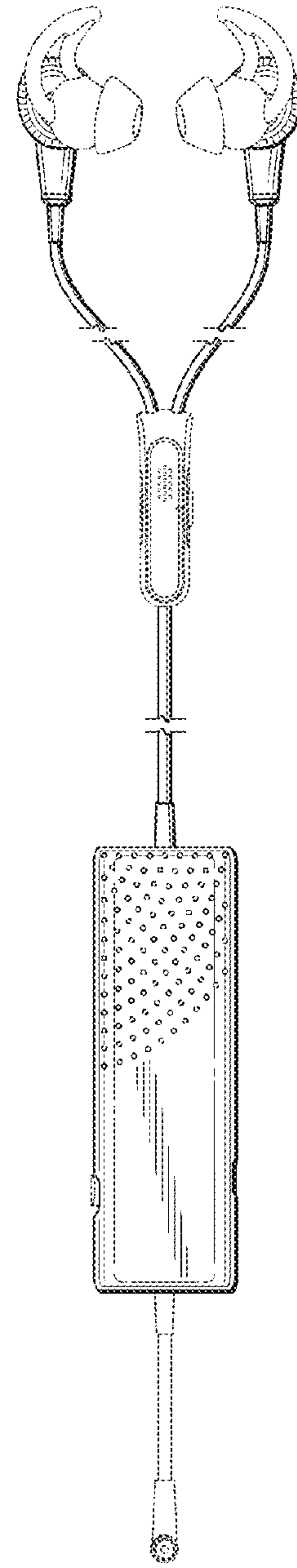


FIG. 3

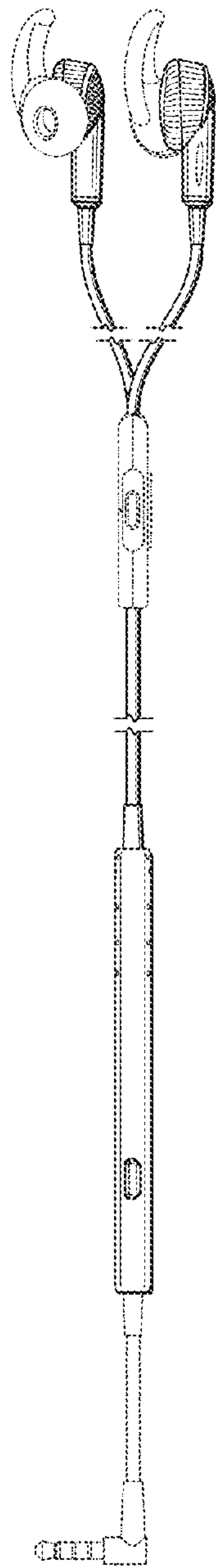


FIG. 4

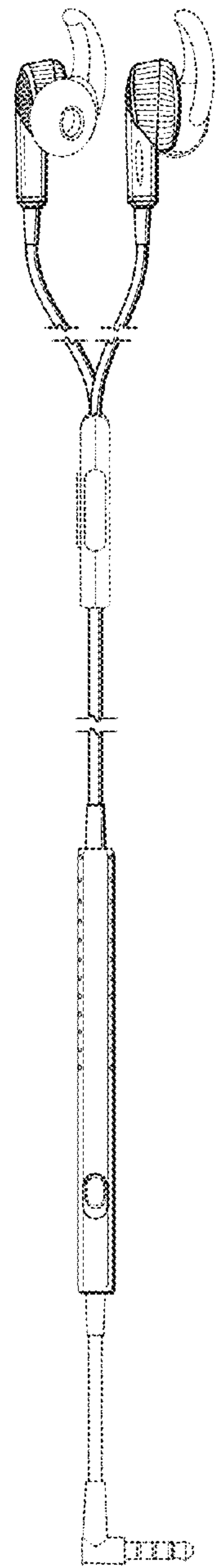


FIG. 5

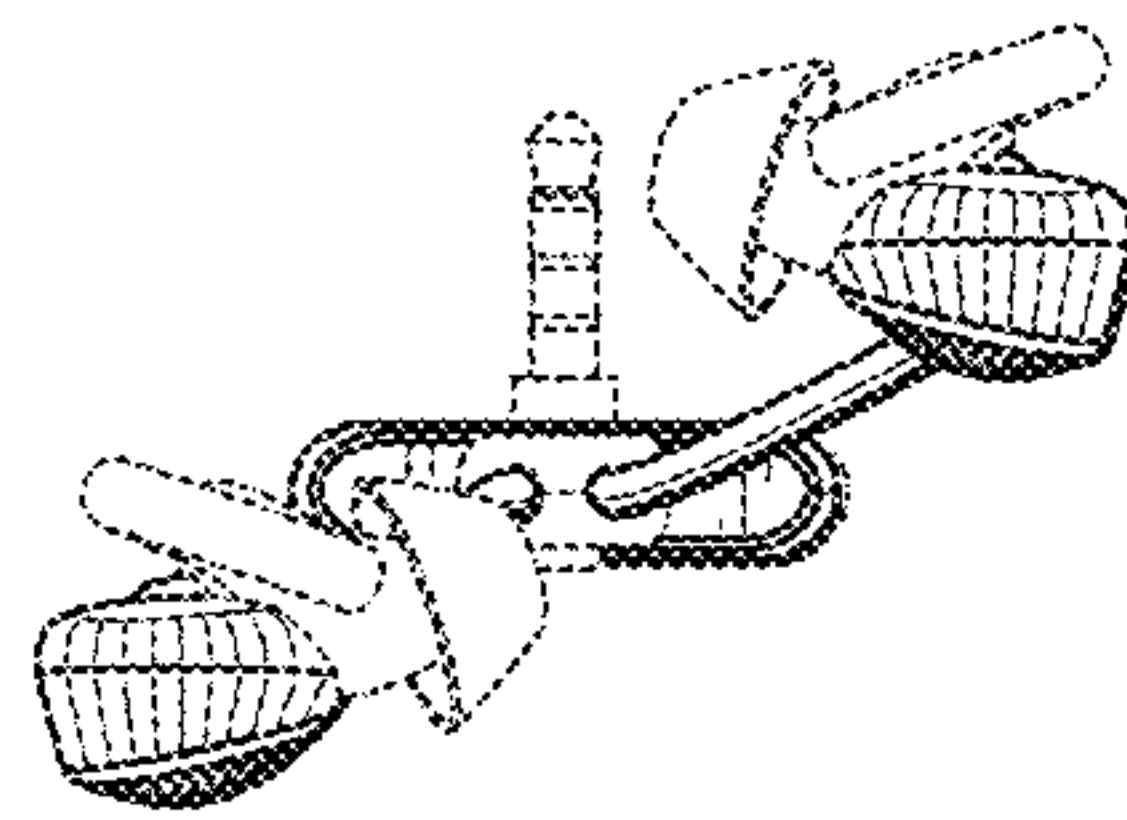


FIG. 6

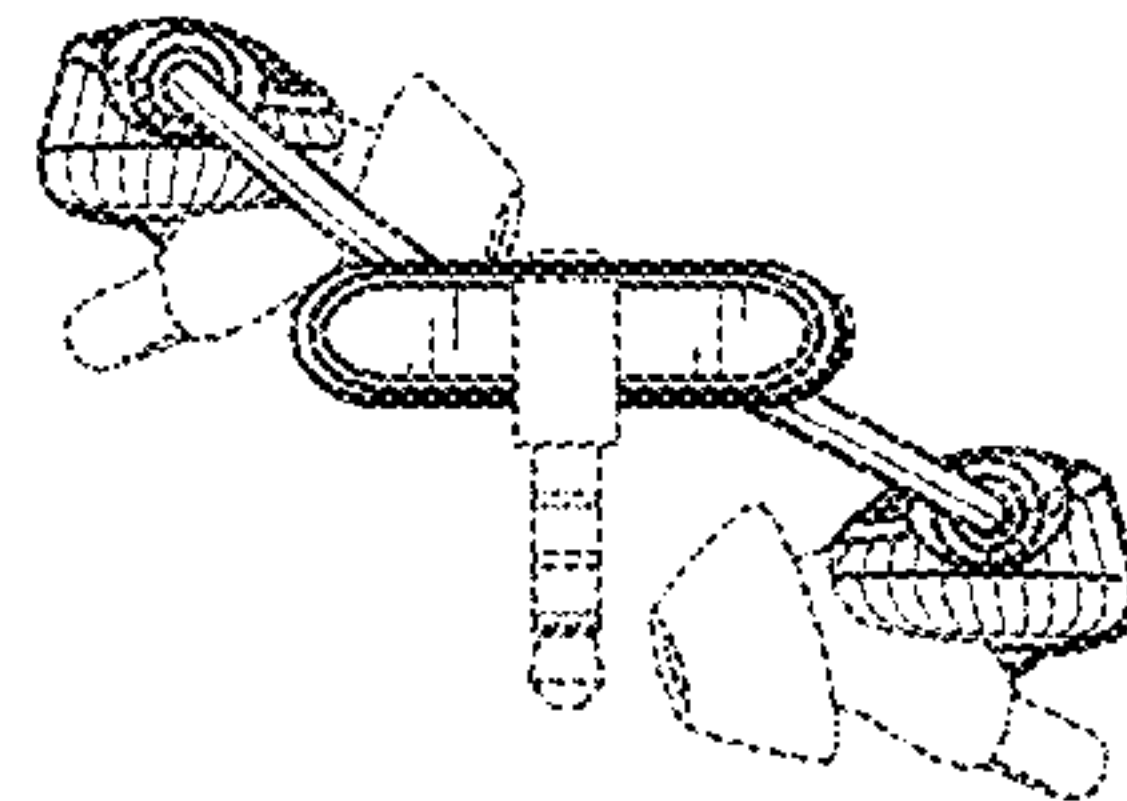


FIG. 7

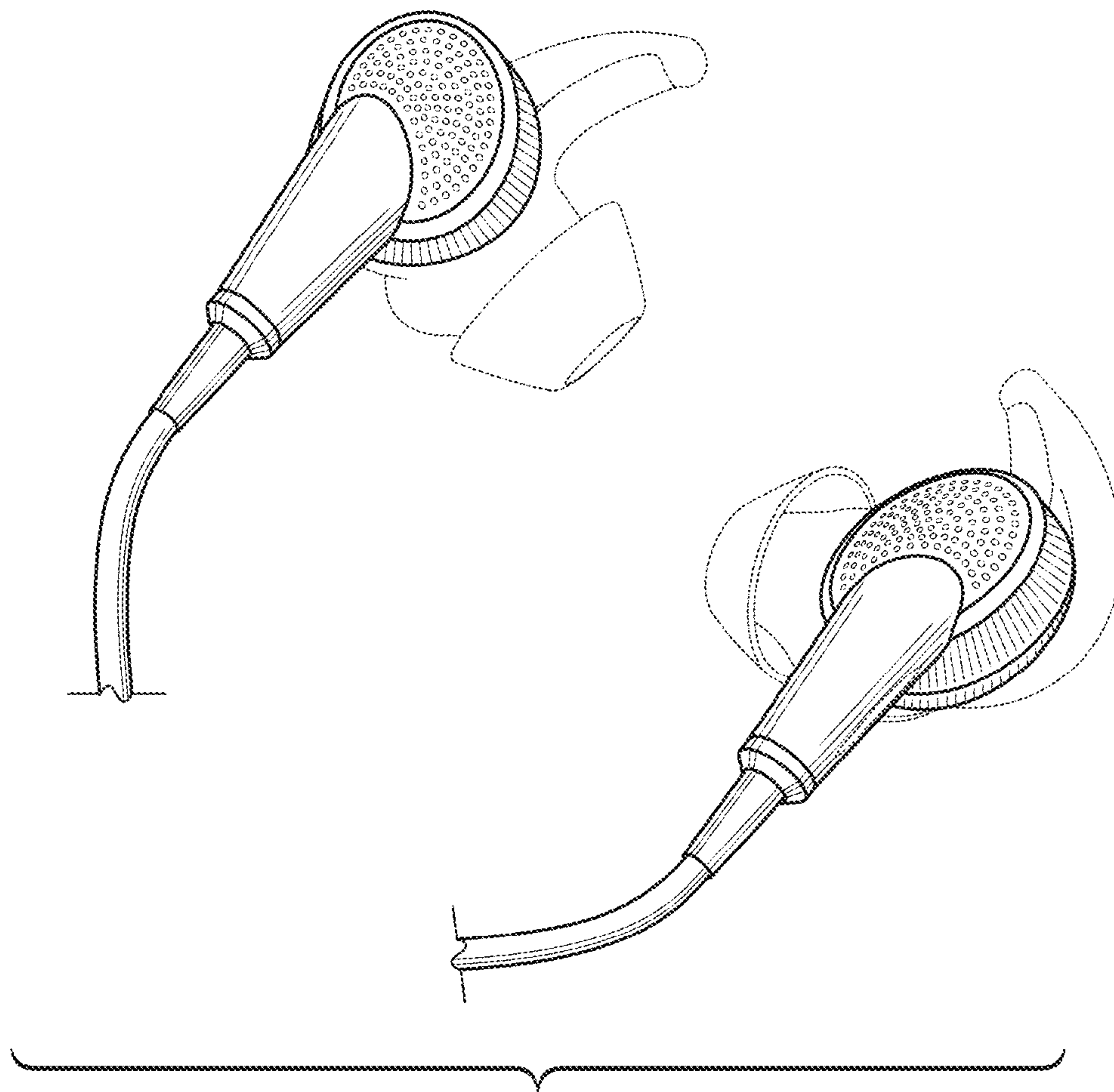


FIG. 8