



US00D712871S

(12) **United States Design Patent**
McNamara

(10) **Patent No.:** **US D712,871 S**

(45) **Date of Patent:** **** Sep. 9, 2014**

(54) **HEADPHONES AND BAND**

(71) Applicant: **Sol Republic, Inc.**, Wilsonville, OR
(US)

(72) Inventor: **Greg McNamara**, San Francisco, CA
(US)

(**) Term: **14 Years**

(21) Appl. No.: **29/450,332**

(22) Filed: **Mar. 16, 2013**

(51) **LOC (10) Cl.** **14-01**

(52) **U.S. Cl.**
USPC **D14/205**

(58) **Field of Classification Search**
CPC H04R 5/033
USPC D14/205, 223; D29/112; 2/209;
D28/41; 132/275; 181/129, 130, 135;
379/430, 431; 381/380, 381; 455/90.3,
455/575.2

See application file for complete search history.

(56) **References Cited**

U.S. PATENT DOCUMENTS

2,954,442	A *	9/1960	Mickenberg	2/410
3,211,160	A *	10/1965	Miller	132/275
D203,677	S *	2/1966	Spilman	D14/205
D246,519	S *	11/1977	Kato	D14/205
D300,133	S *	3/1989	Daidoh et al.	D14/205
D563,382	S *	3/2008	Wikel	D14/205
D571,354	S *	6/2008	Ng	D14/205
D609,694	S *	2/2010	Komiyama	D14/205
D620,474	S *	7/2010	Komiyama	D14/205

(Continued)

Primary Examiner — Paula Greene

(74) *Attorney, Agent, or Firm* — Alleman Hall McCoy Russell & Tuttle LLP

(57) **CLAIM**

The ornamental design for headphones and band, as shown and described.

DESCRIPTION

FIG. 1 is a top perspective view of an ornamental design for headphones and band, according to the invention.

FIG. 2 is a top view of the headphones and band of FIG. 1.

FIG. 3 is a bottom view of the headphones and band of FIG. 1.

FIG. 4 is a front view of the headphones and band of FIG. 1.

FIG. 5 is a back view of the headphones and band of FIG. 1.

FIG. 6 is a left view of the headphones and band of FIG. 1.

FIG. 7 is a right view of the headphones and band of FIG. 1.

FIG. 8 is a top perspective view of the band of the headphones and band of FIG. 1, shown separately for purposes of illustration.

FIG. 9 is a bottom view of the band of the headphones and band of FIG. 1, shown separately for purposes of illustration.

FIG. 10 is a top view of the band of the headphones and band of FIG. 1, shown separately for purposes of illustration.

FIG. 11 is a front view of the band of the headphones and band of FIG. 1, shown separately for purposes of illustration.

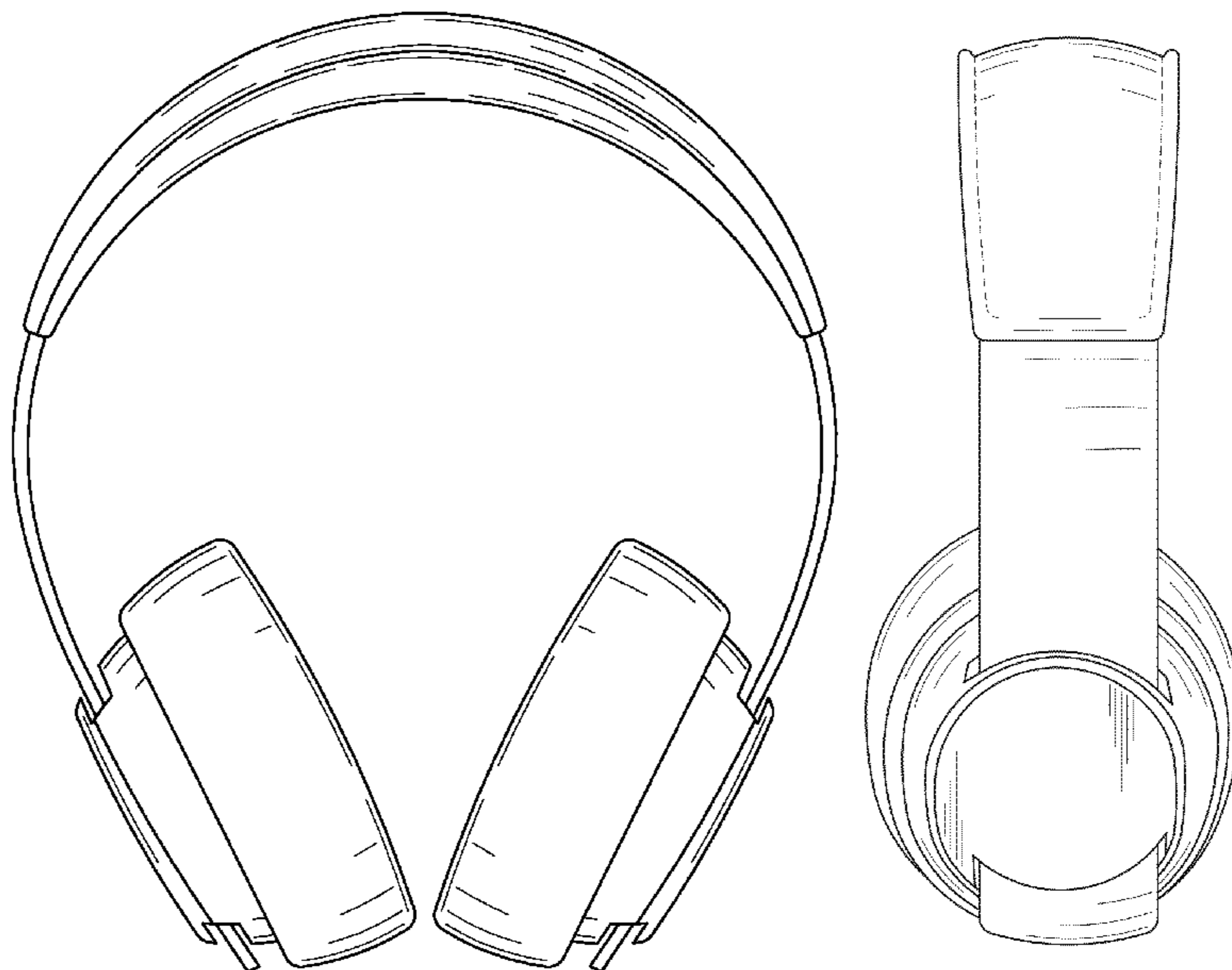
FIG. 12 is a back view of the band of the headphones and band of FIG. 1, shown separately for purposes of illustration.

FIG. 13 is a left view of the band of the headphones and band of FIG. 1, shown separately for purposes of illustration; and,

FIG. 14 is a right view of the band of the headphones and band of FIG. 1, shown separately for purposes of illustration.

The claimed design is shaded in FIGS. 1-14. The dashed lines in the figures are for environmental purposes only and form no part of the claimed design.

1 Claim, 8 Drawing Sheets



US D712,871 S

Page 2

(56)

References Cited

U.S. PATENT DOCUMENTS

D633,471 S * 3/2011 Sugiyama D14/205
D662,080 S * 6/2012 Carr et al. D14/205
D663,717 S * 7/2012 Hutchieson D14/206
D664,114 S * 7/2012 Tsuchiya D14/205

D673,929 S * 1/2013 Combs et al. D14/205
D686,593 S * 7/2013 Larsen D14/205
D687,808 S * 8/2013 Combs et al. D14/205
D695,261 S * 12/2013 Katsumata D14/205
D695,263 S * 12/2013 Mogili D14/205

* cited by examiner

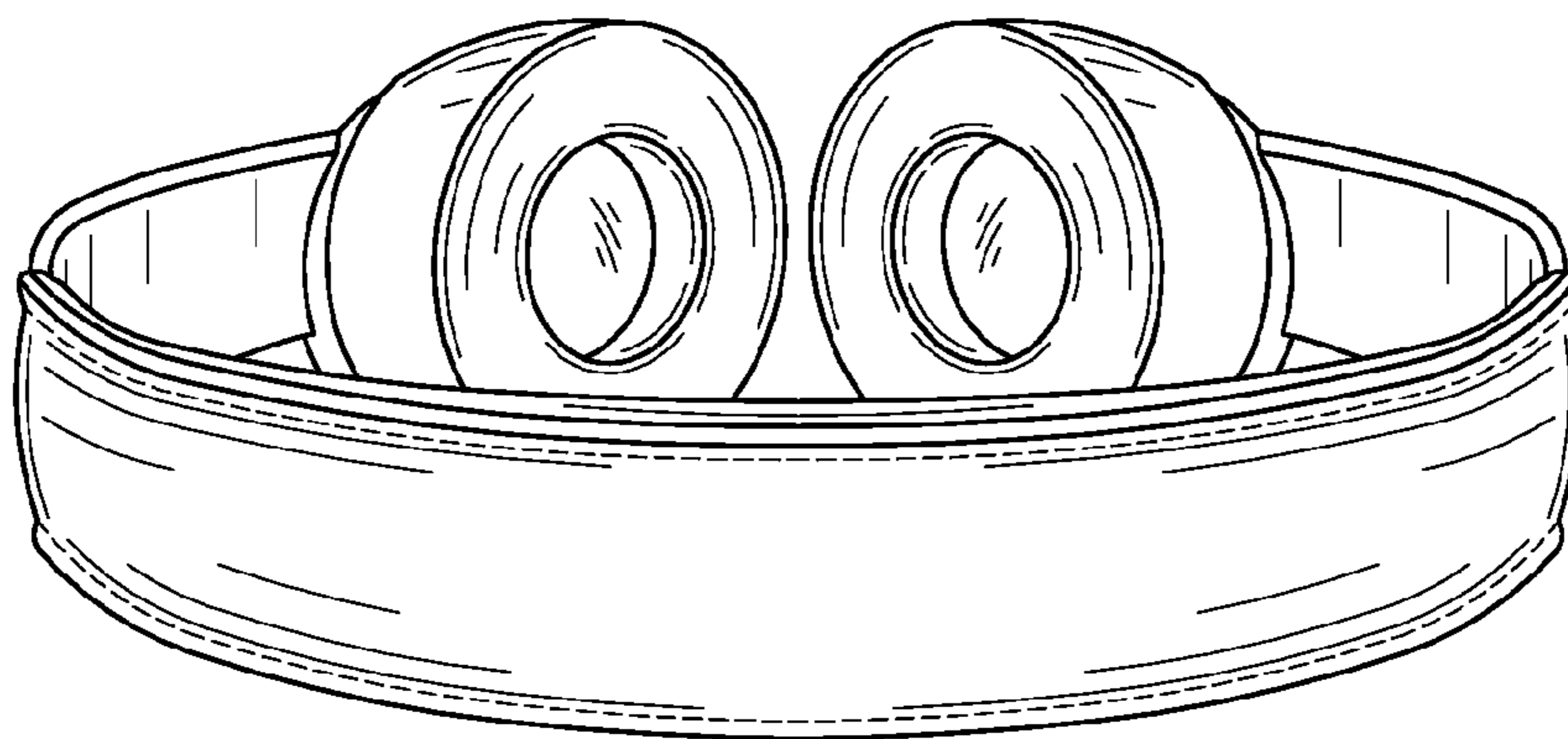


FIG. 1

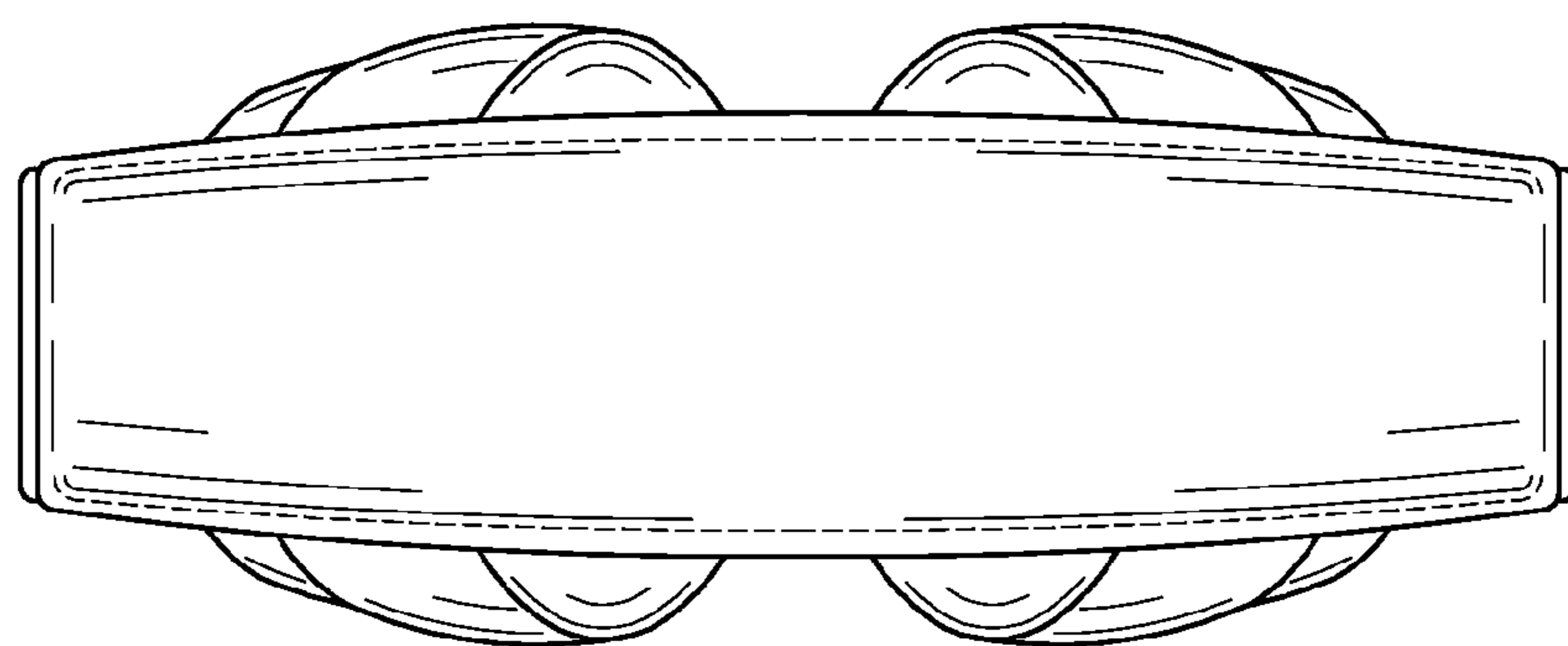


FIG. 2

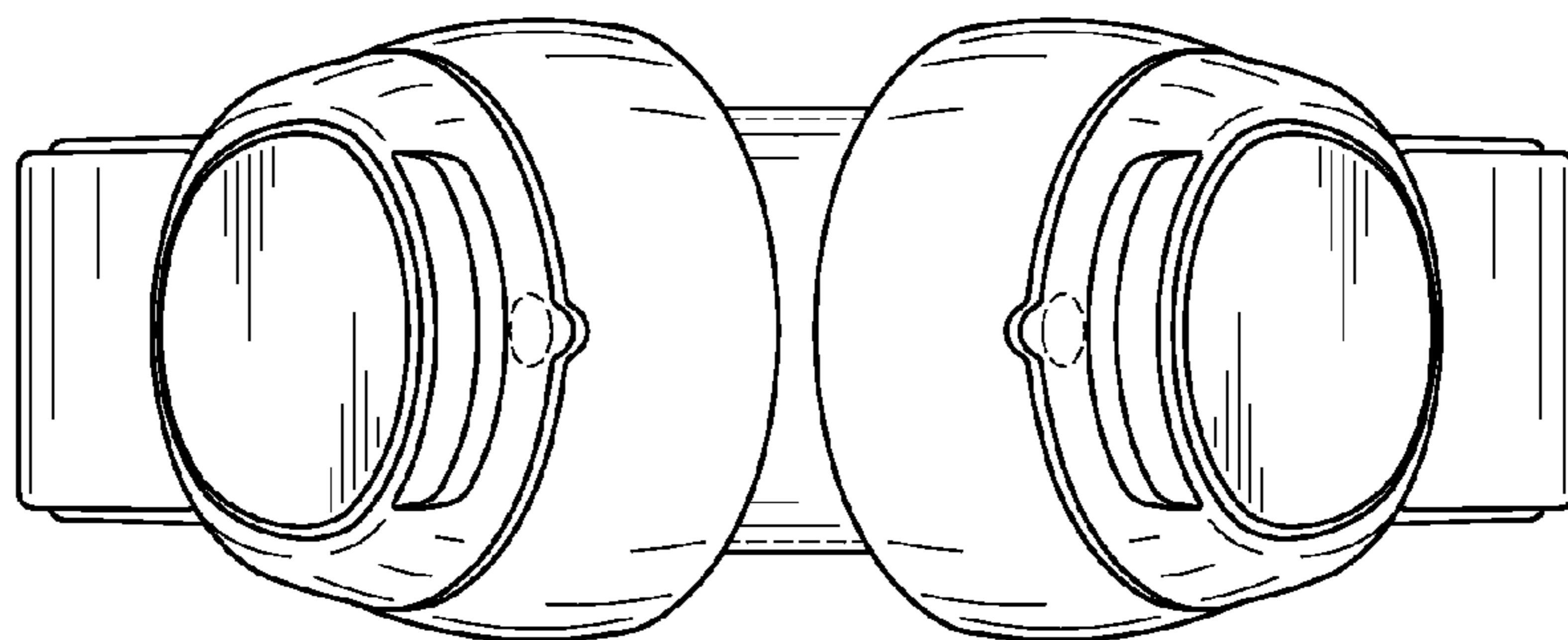


FIG. 3

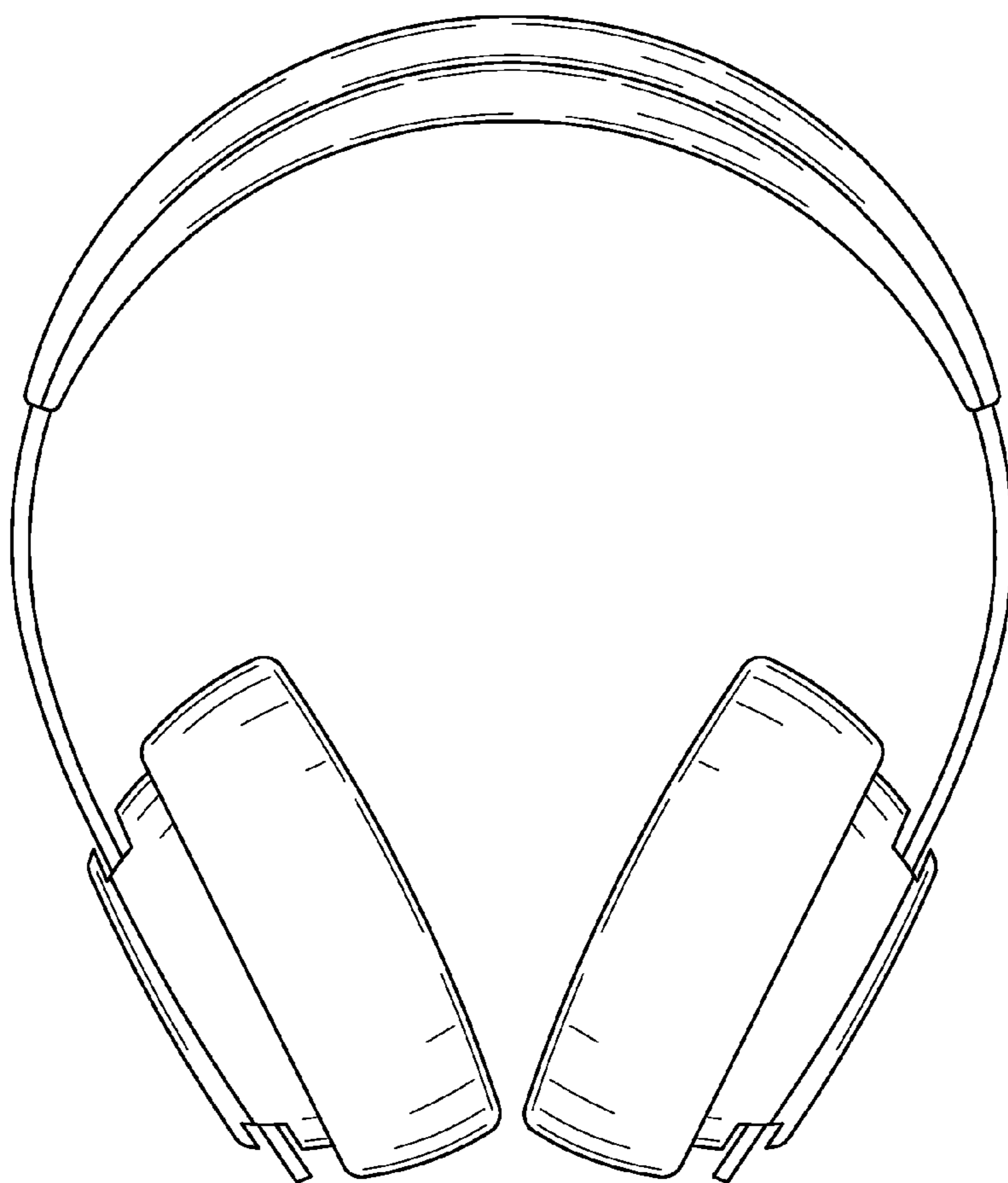


FIG. 4

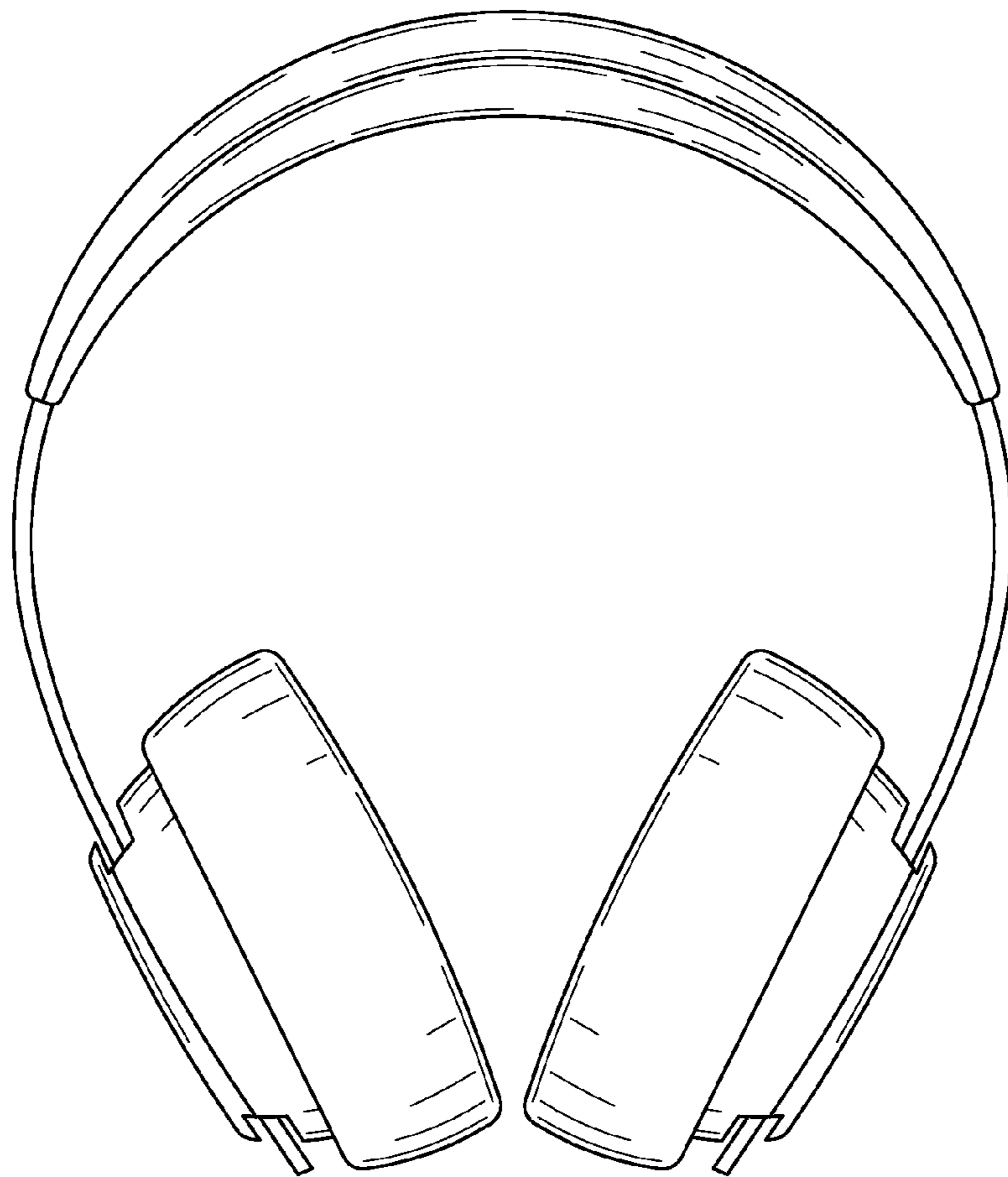


FIG. 5

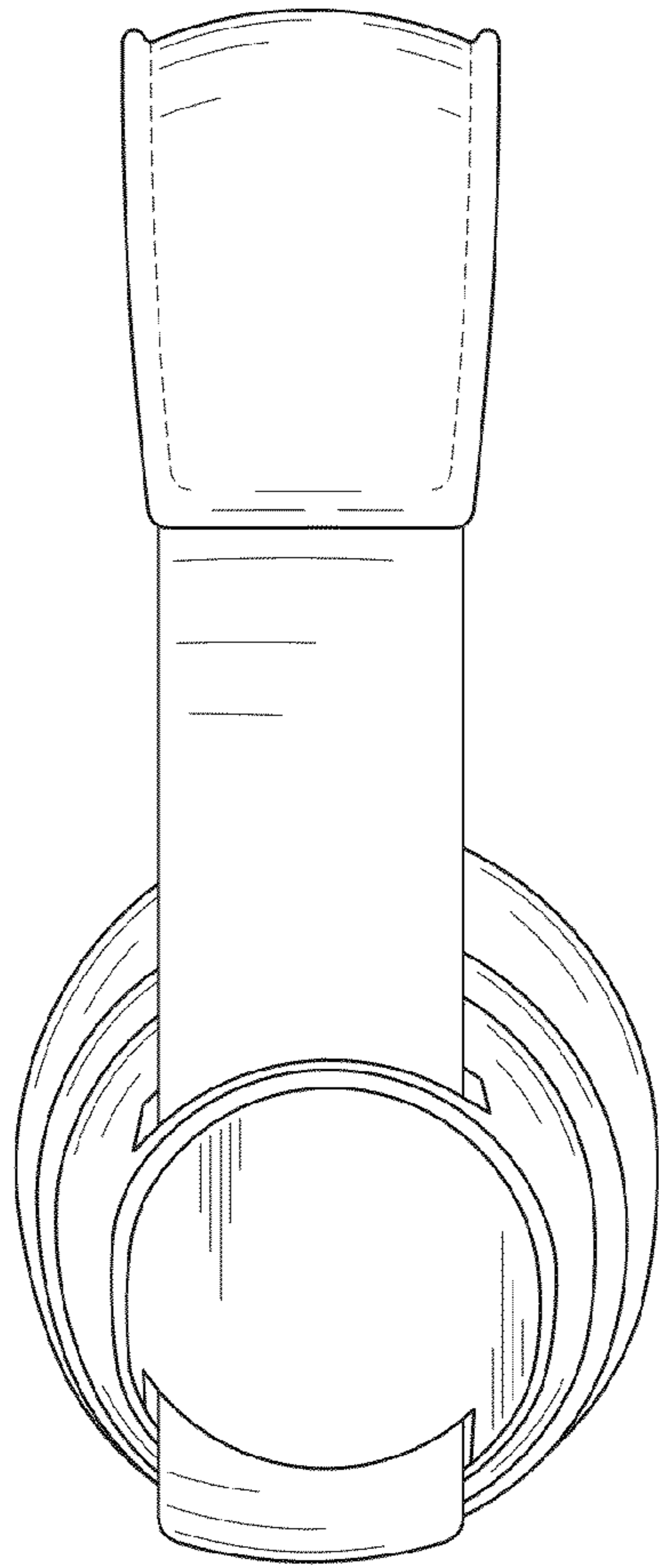


FIG. 6

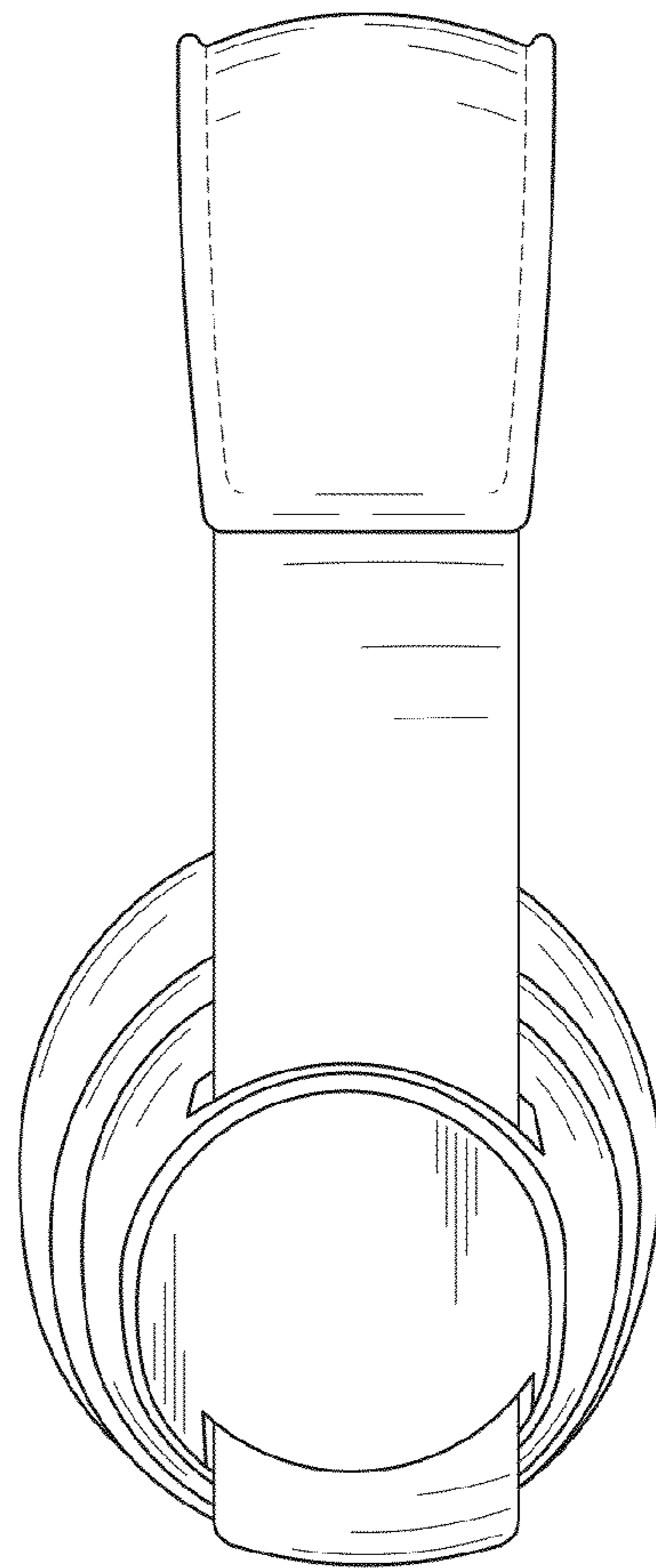


FIG. 7

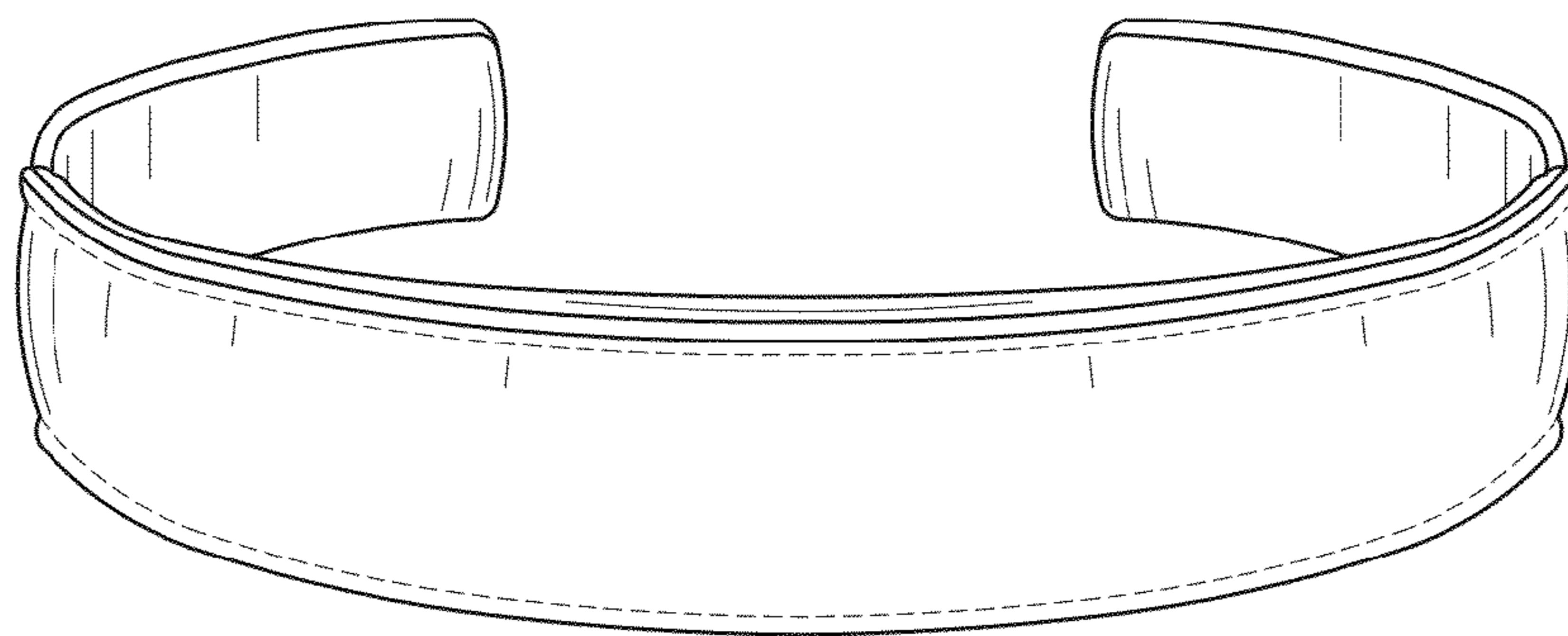


FIG. 8

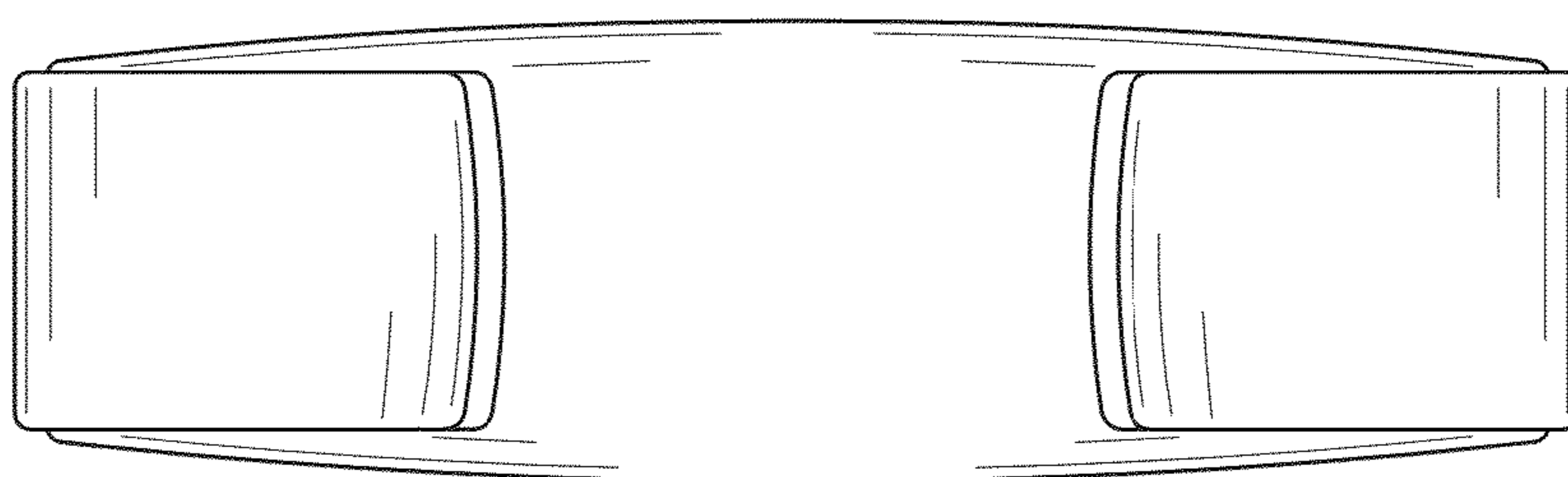


FIG. 9

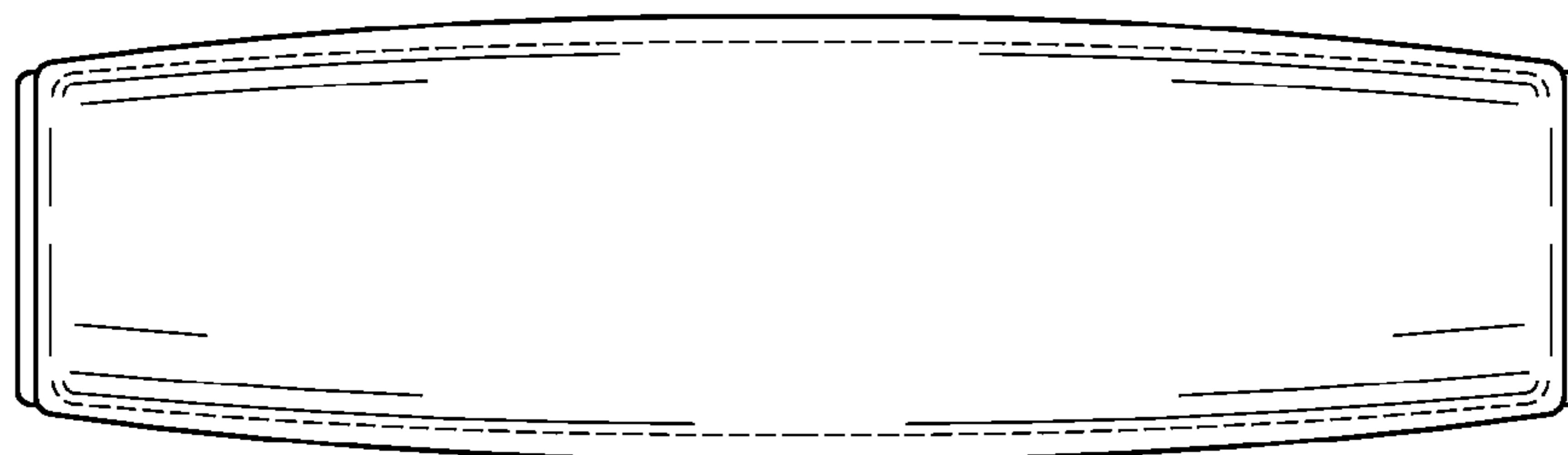


FIG. 10

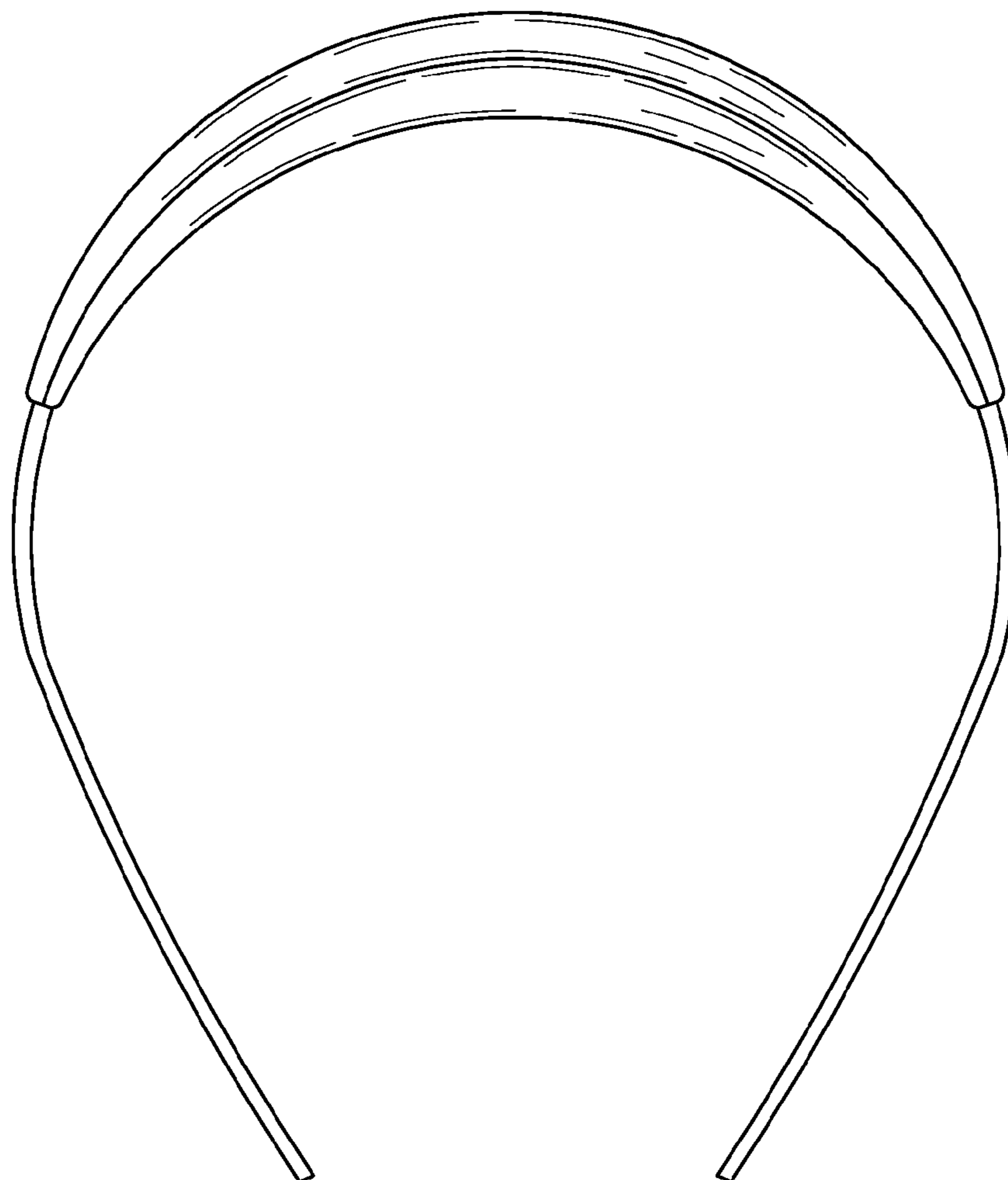


FIG. 11

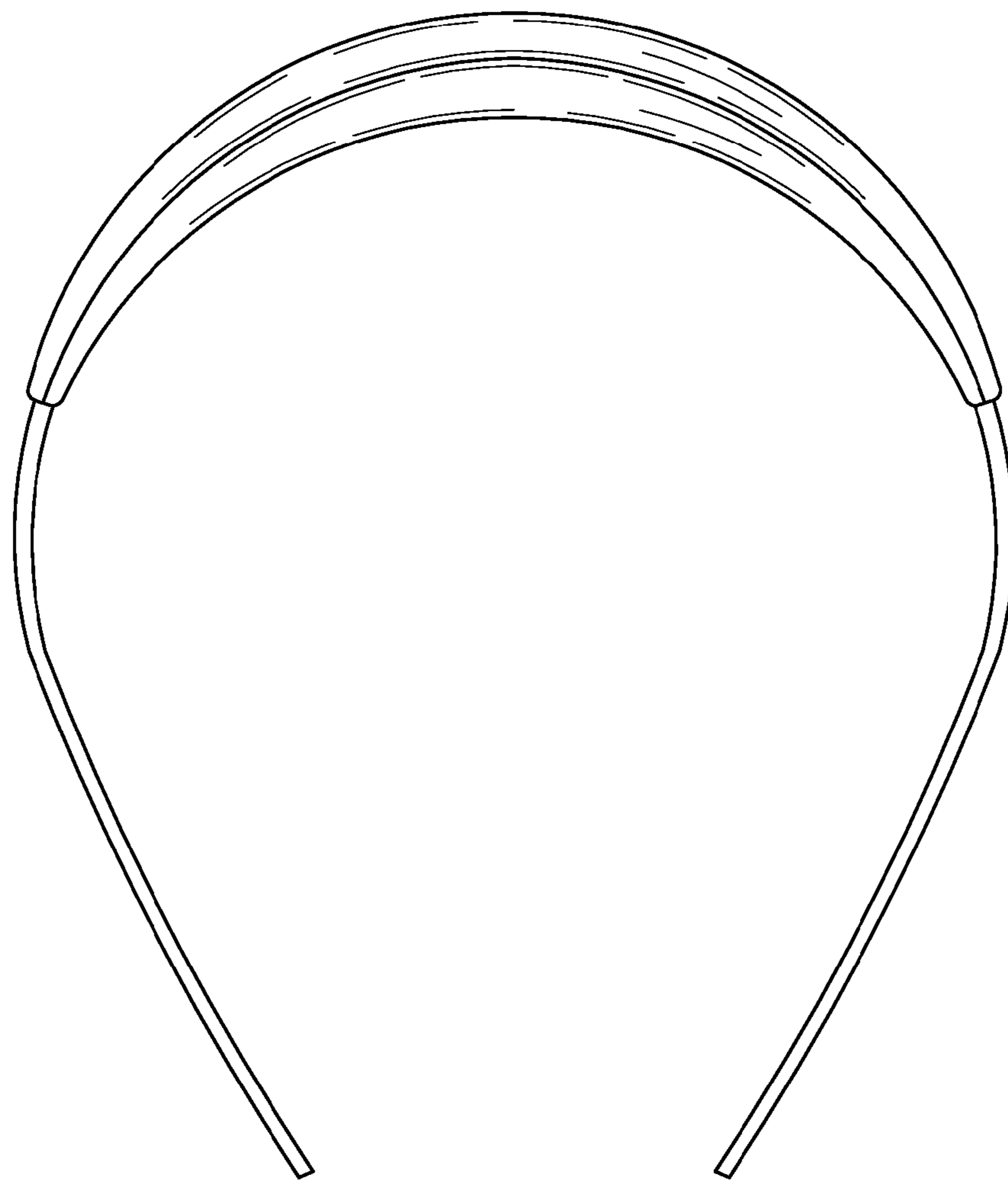


FIG. 12

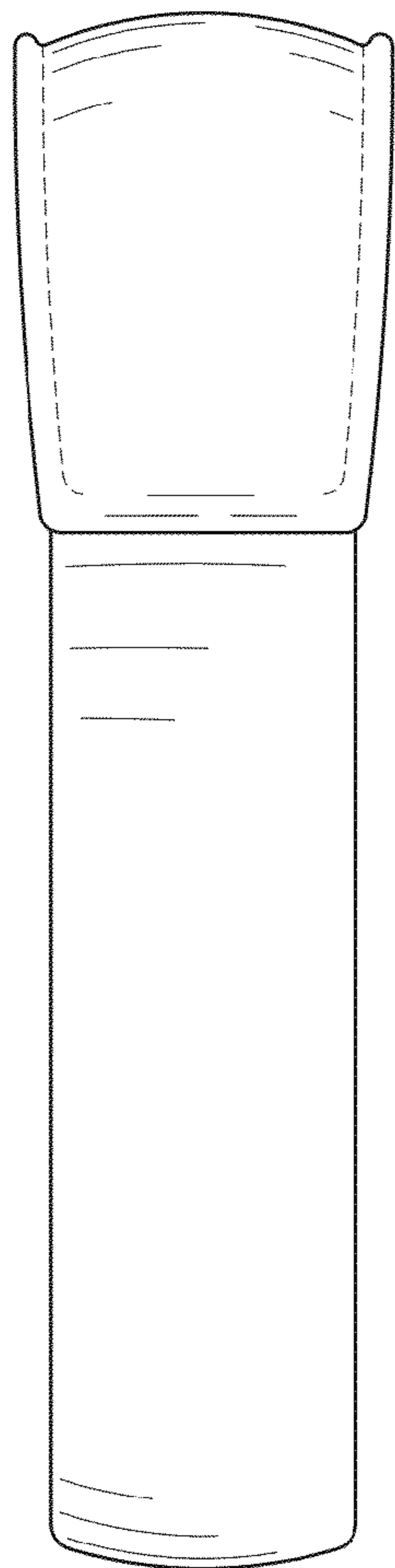


FIG. 13

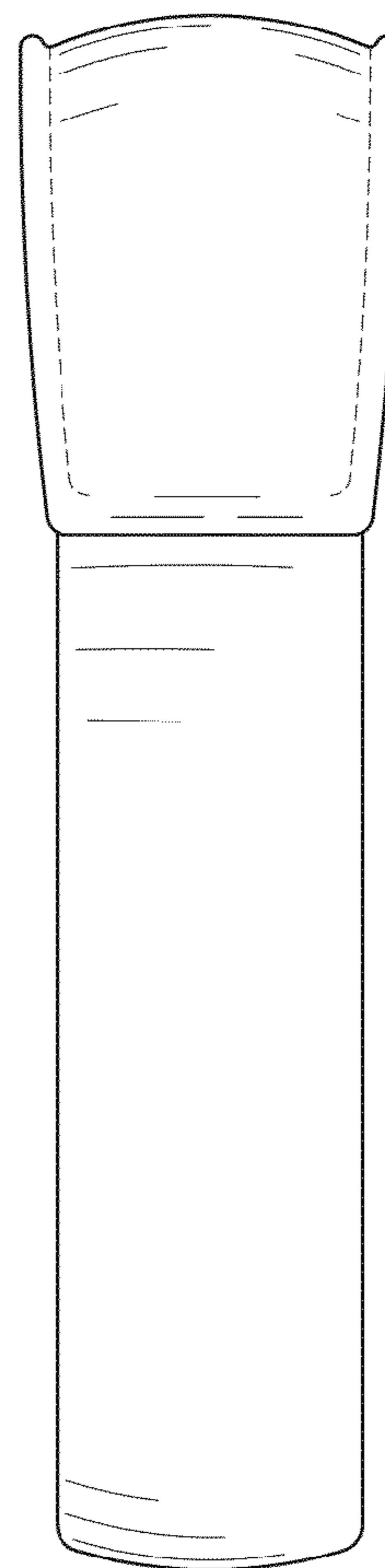


FIG. 14