



US00D712870S

(12) **United States Design Patent**
Kim

(10) **Patent No.:** **US D712,870 S**

(45) **Date of Patent:** **** Sep. 9, 2014**

(54) **DIGITAL AUDIO PLAYER**

(71) Applicant: **Iriver Limited**, Seoul (KR)

(72) Inventor: **So Yeon Kim**, Seoul (KR)

(73) Assignee: **Iriver Limited**, Seoul (KR)

(**) Term: **14 Years**

(21) Appl. No.: **29/458,746**

(22) Filed: **Jun. 21, 2013**

(51) **LOC (10) Cl.** **14-03**

(52) **U.S. Cl.**

USPC **D14/203.7; D14/496**

(58) **Field of Classification Search**

USPC D14/496, 401, 435, 474, 483, 217, 137,
D14/138, 160, 168, 356, 203.1–203.8, 507;
345/156, 169, 173–179, 905;
715/727–729, 864; 710/1, 5, 8; 713/1,
713/600; 455/1.1, 1.7, 73, 344–347, 93, 95,
455/3.01–3.06, 550.1, 573.1; 370/342–344;
369/1, 2, 6–12; 463/43–47; 273/148 B

See application file for complete search history.

(56) **References Cited**

U.S. PATENT DOCUMENTS

6,977,675 B2 * 12/2005 Kotzin 348/208.2
D532,018 S * 11/2006 Lee D14/496
D533,566 S * 12/2006 Lee D14/496
7,184,803 B2 * 2/2007 Wu 455/575.1

D543,554 S * 5/2007 Dai D14/496
7,281,214 B2 * 10/2007 Fadell 715/745
D558,792 S * 1/2008 Chigira D14/496
7,647,129 B1 * 1/2010 Griffin, Jr. 700/94
D637,995 S * 5/2011 Rayn D14/203.7
D699,701 S * 2/2014 Kim D14/203.7

* cited by examiner

Primary Examiner — Prabhakar Deshmukh

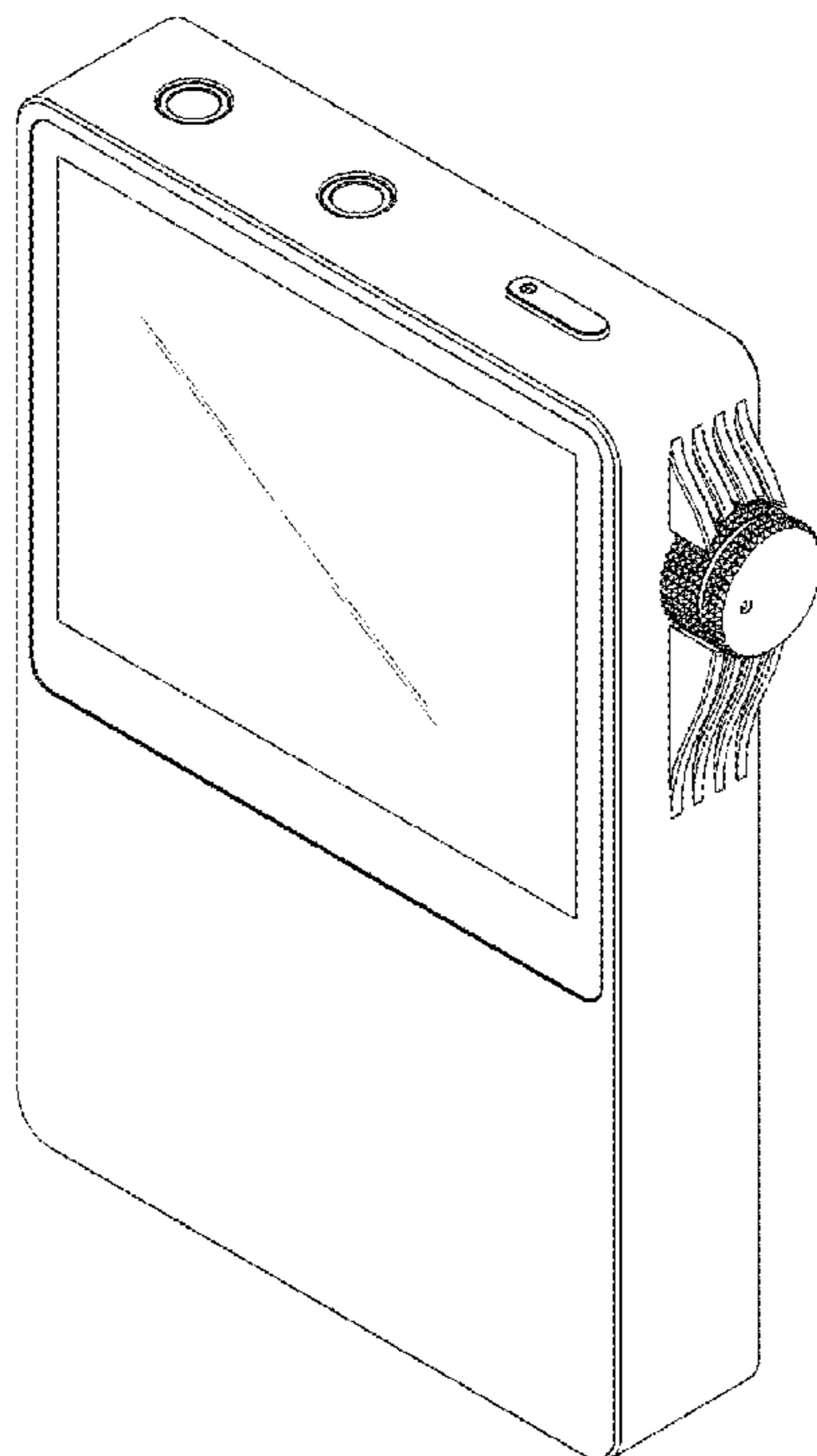
(57) **CLAIM**

The ornamental design for a digital audio player, as shown and described.

DESCRIPTION

FIG. 1 is a perspective view of a digital audio player showing my new design;
FIG. 2 is a front side view of the digital audio player shown in FIG. 1;
FIG. 3 is a rear side view of the digital audio player shown in FIG. 1;
FIG. 4 is a left side view of the digital audio player shown in FIG. 1;
FIG. 5 is a right side view of the digital audio player shown in FIG. 1;
FIG. 6 is a top view of the digital audio player shown in FIG. 1; and,
FIG. 7 is a bottom view of the digital audio player shown in FIG. 1.

1 Claim, 7 Drawing Sheets



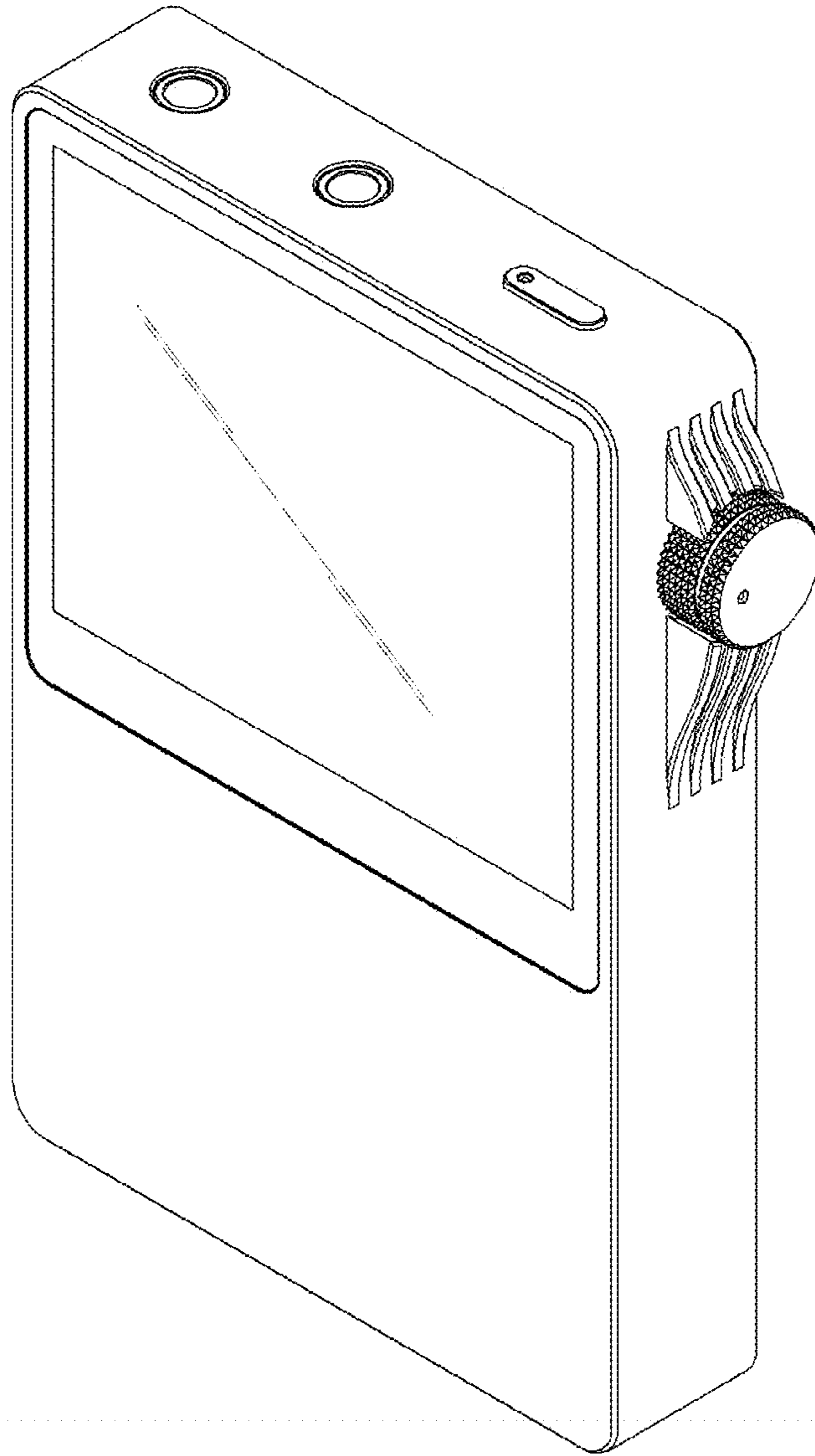


FIG. 1

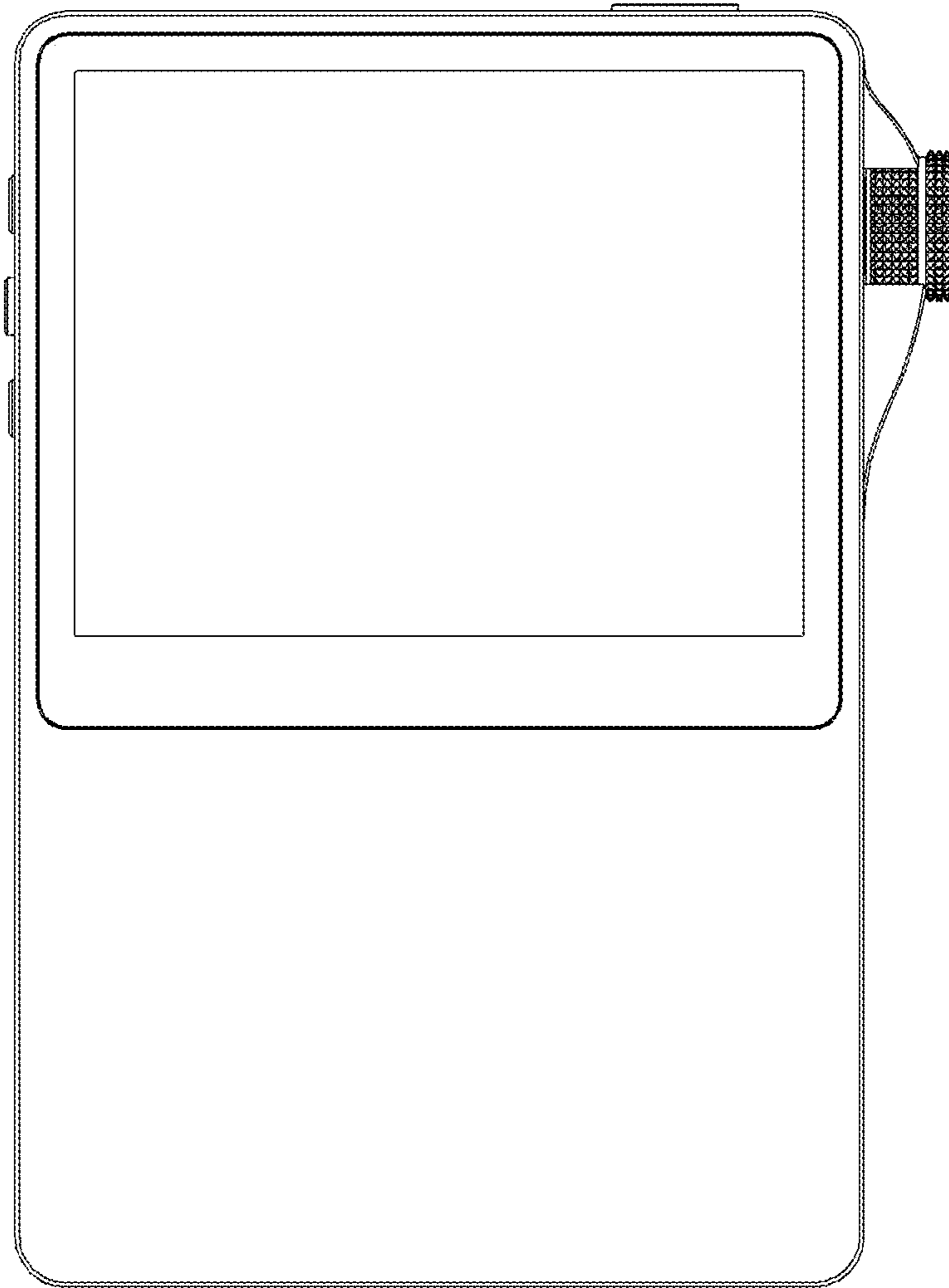


FIG. 2

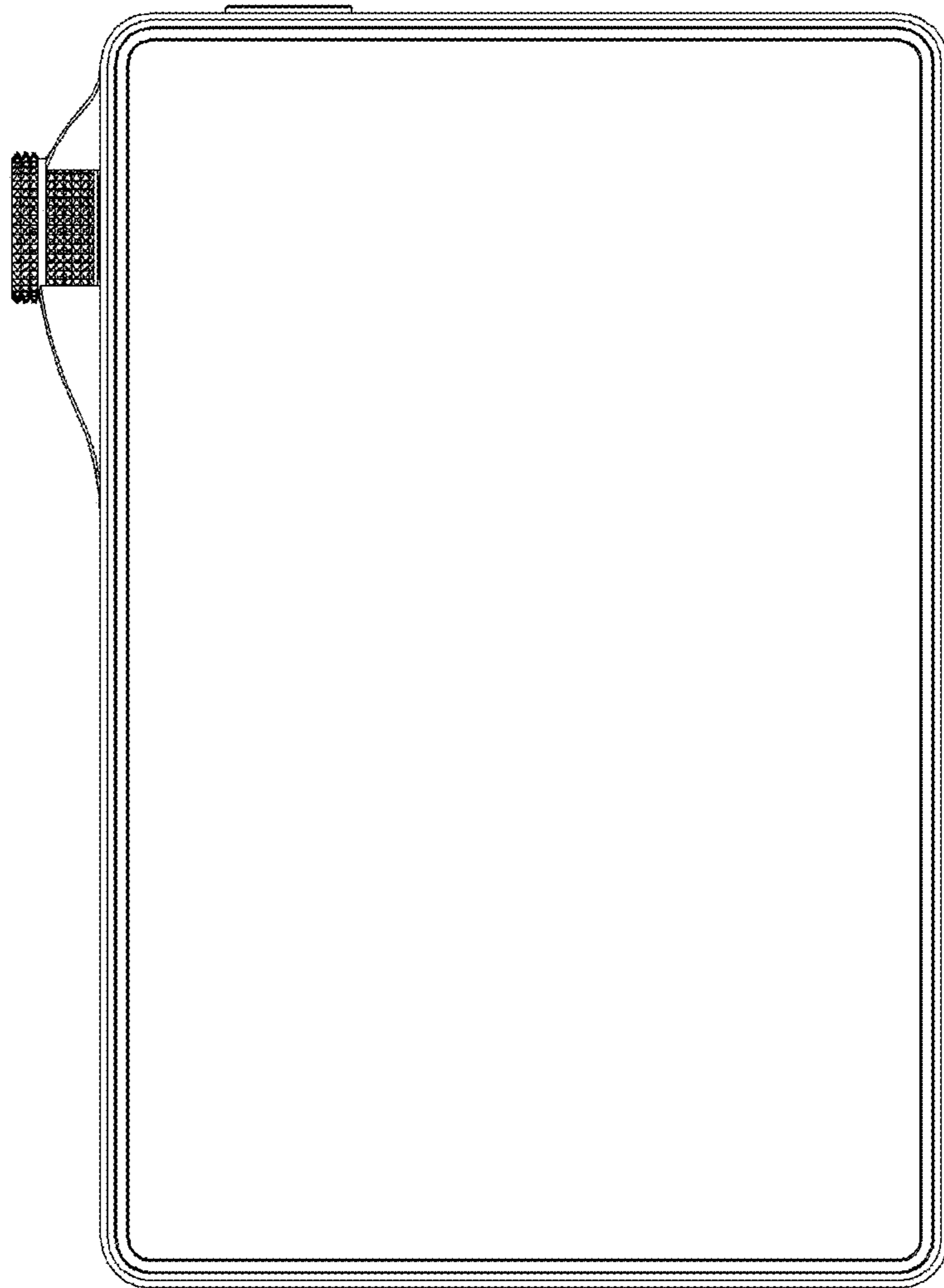


FIG. 3

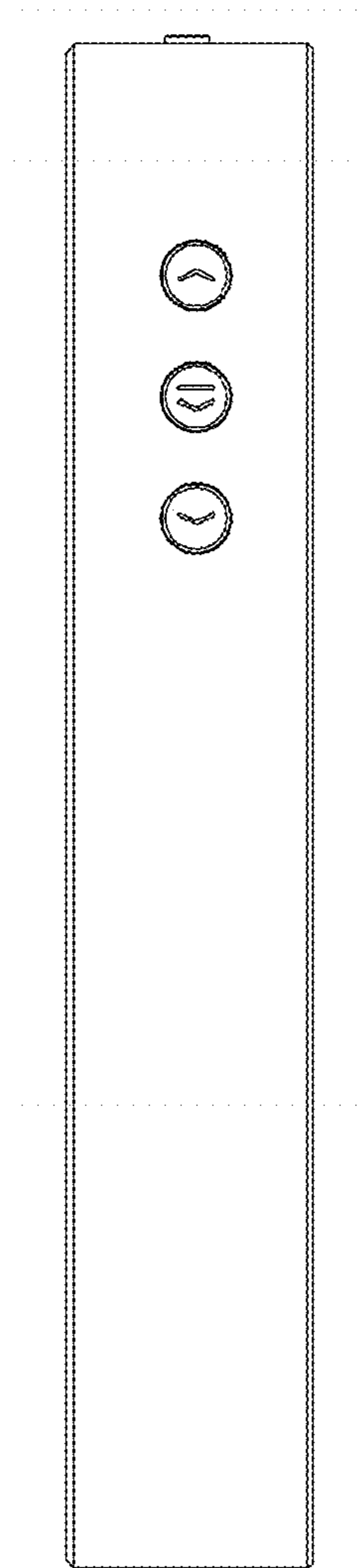


FIG. 4

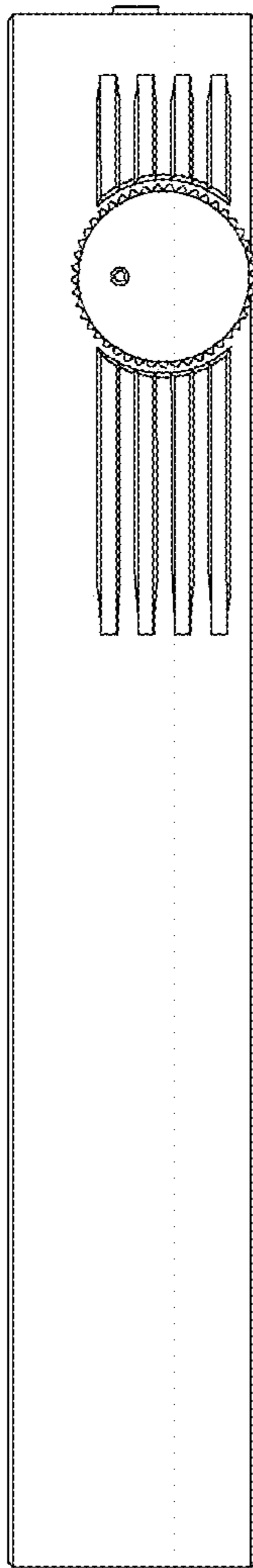


FIG. 5

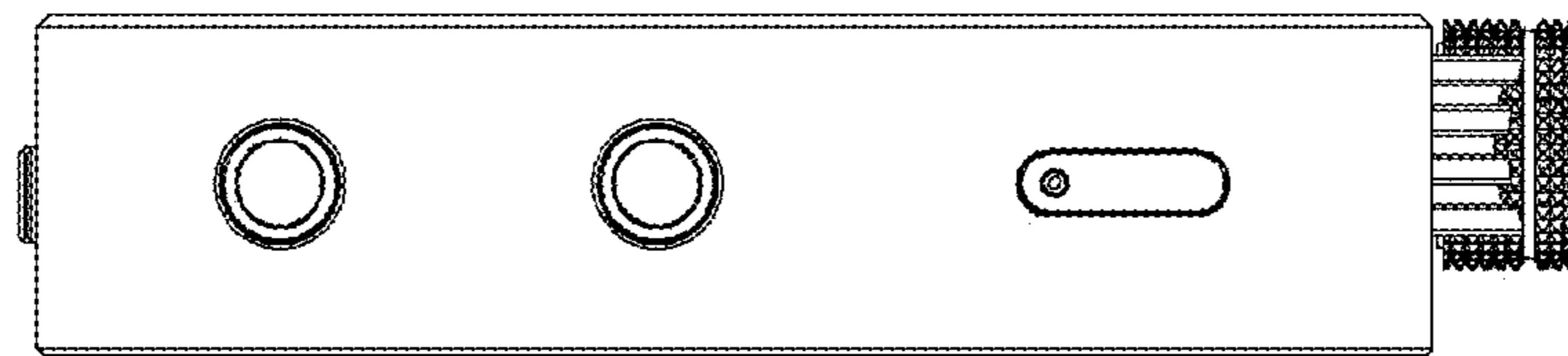


FIG. 6

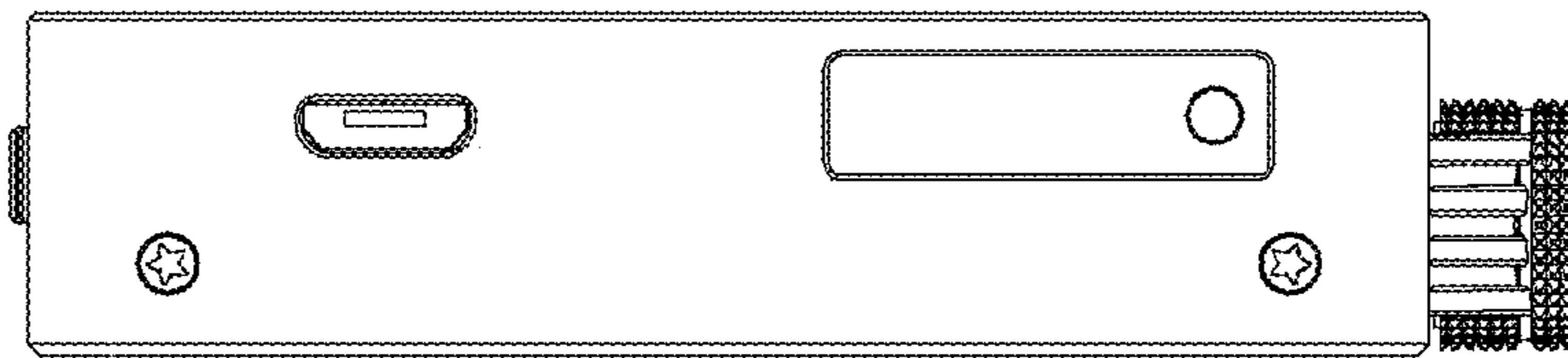


FIG. 7