



US00D712869S

(12) **United States Design Patent**  
**Muramoto**

(10) **Patent No.:** **US D712,869 S**  
(45) **Date of Patent:** **\*\* Sep. 9, 2014**

(54) **AMPLIFIER**  
(71) Applicant: **Masatada Muramoto**, Tokyo (JP)  
(72) Inventor: **Masatada Muramoto**, Tokyo (JP)  
(73) Assignee: **Alpine Electronics, Inc.**, Tokyo (JP)  
(\*\*) Term: **14 Years**  
(21) Appl. No.: **29/445,557**  
(22) Filed: **Feb. 13, 2013**

D549,687 S 8/2007 Ichikawa  
D551,205 S 9/2007 Ichikawa  
D563,334 S \* 3/2008 Wang ..... D14/125  
D575,801 S \* 8/2008 Kusano et al. .... D14/496  
D610,125 S 2/2010 Ichikawa et al.  
D615,555 S \* 5/2010 Ho ..... D14/496  
D634,729 S 3/2011 Endo et al.  
D656,120 S \* 3/2012 Sasaki ..... D14/188  
D656,121 S \* 3/2012 Sugita ..... D14/188  
D665,377 S 8/2012 Endo et al.  
D666,166 S \* 8/2012 Harada ..... D14/188  
D692,849 S \* 11/2013 Choi ..... D14/188

(30) **Foreign Application Priority Data**  
Aug. 23, 2012 (JP) ..... 2012-020120  
(51) **LOC (10) Cl.** ..... **14-03**  
(52) **U.S. Cl.**  
USPC ..... **D14/188**  
(58) **Field of Classification Search**  
USPC ..... D3/201, 273; D13/103, 106, 184;  
D14/132, 133, 137, 138 AB, 155, 188,  
D14/193, 196, 203.4, 210, 211, 213, 214,  
D14/221, 242, 243, 257, 258, 265, 315, 321,  
D14/345, 348, 351, 353, 358, 433, 496, 498,  
D14/500-503; D26/72, 104, 118; 359/258;  
375/222; 379/25, 93.09, 93.19, 156,  
379/220.01, 221.09, 338, 339, 441;  
455/557; 711/100, 115; 720/270, 658,  
720/691; 725/111  
See application file for complete search history.

**FOREIGN PATENT DOCUMENTS**

CN 302526705 \* 8/2013  
CN 302772723 \* 3/2014

\* cited by examiner

*Primary Examiner* — Stella Reid  
*Assistant Examiner* — Janice Lim  
(74) *Attorney, Agent, or Firm* — Brinks Gilson & Lione

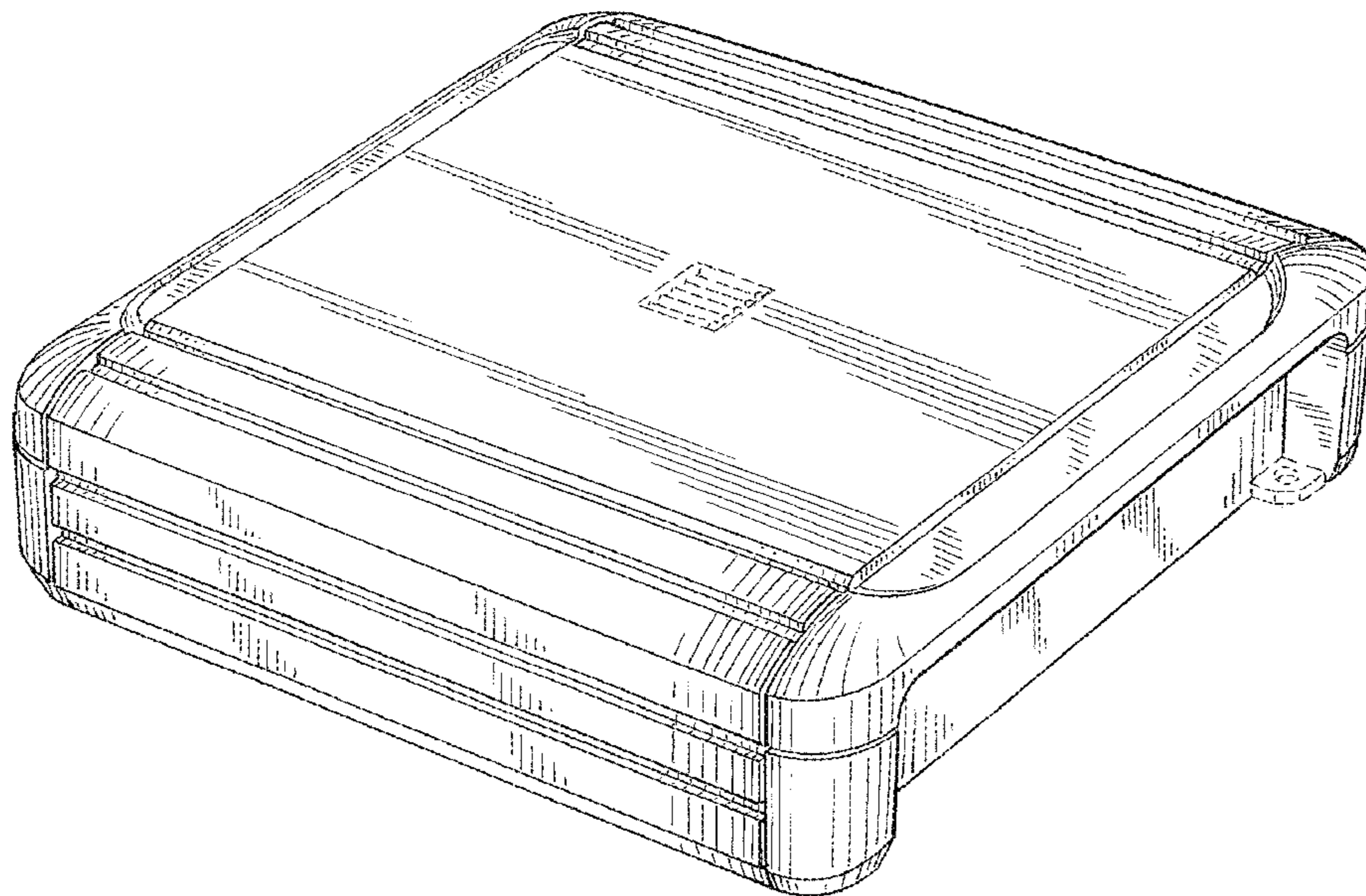
(57) **CLAIM**  
The ornamental design for an amplifier, as shown and described.

**DESCRIPTION**

FIG. 1 is a perspective view of an amplifier, showing my new design;  
FIG. 2 is a top view thereof;  
FIG. 3 is a front view thereof;  
FIG. 4 is a right-side view thereof;  
FIG. 5 is a rear view thereof;  
FIG. 6 is a left-side view thereof; and,  
FIG. 7 is a bottom view thereof.  
The broken lines show unclaimed subject matter only and do not for any part of the claimed design.

(56) **References Cited**  
**U.S. PATENT DOCUMENTS**  
D368,085 S \* 3/1996 Mittal et al. .... D14/125  
D533,147 S \* 12/2006 Chiu et al. .... D14/125  
D535,282 S 1/2007 Ichikawa et al.

**1 Claim, 4 Drawing Sheets**



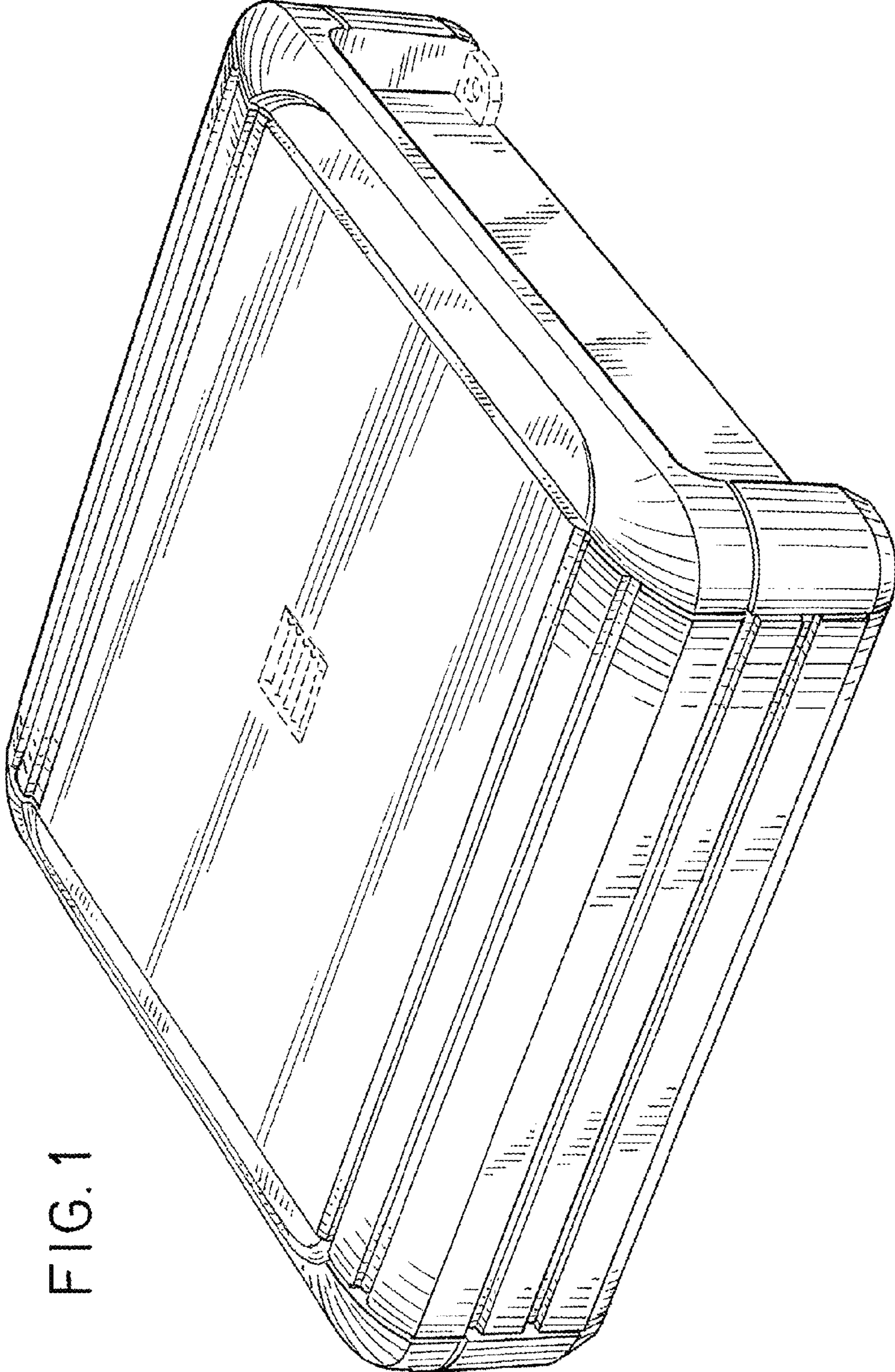


FIG. 1

FIG. 2

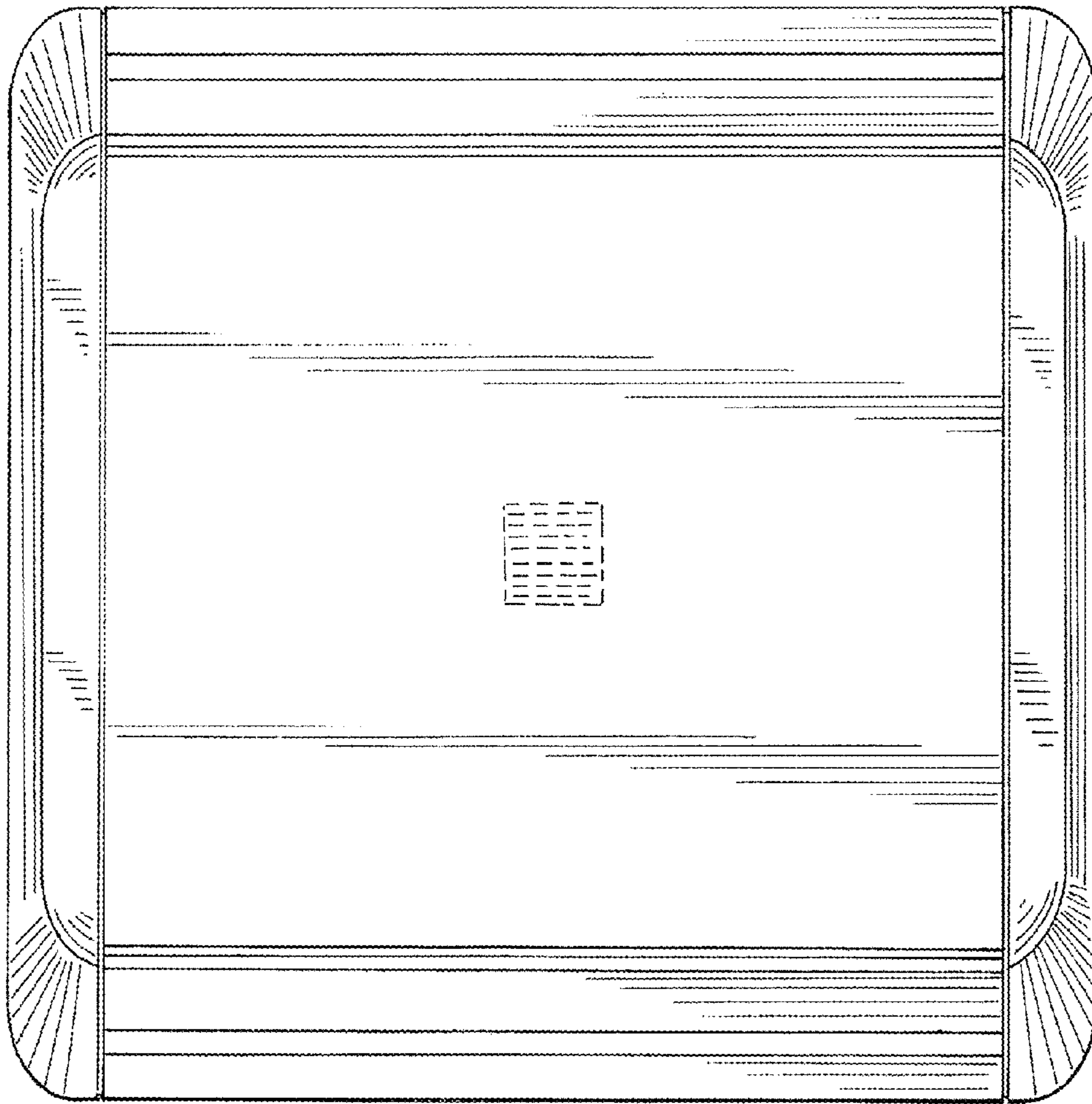


FIG. 3

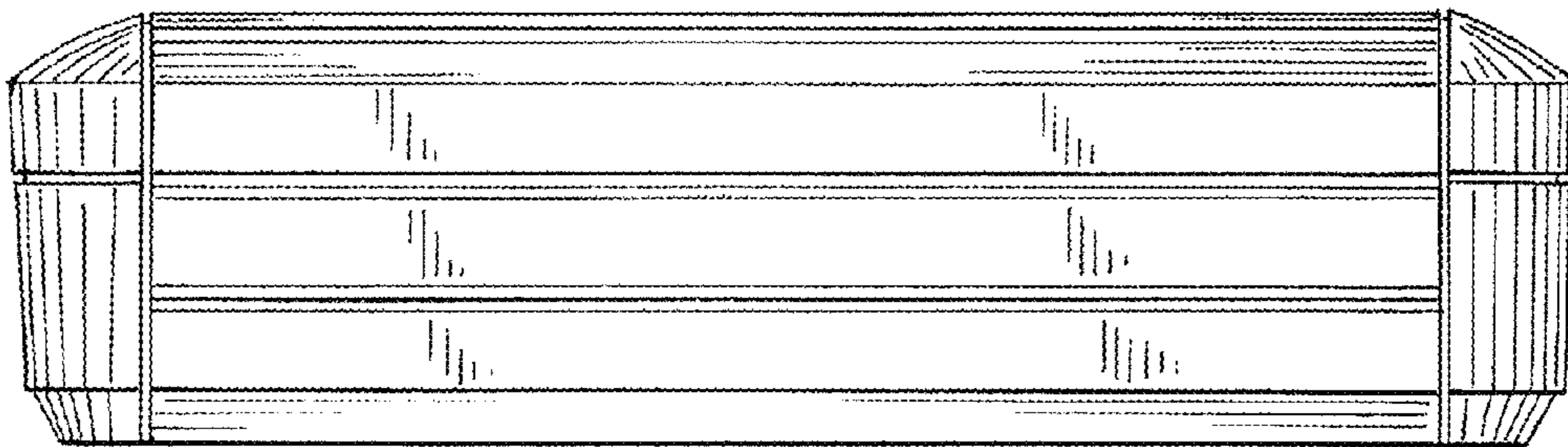


FIG. 4

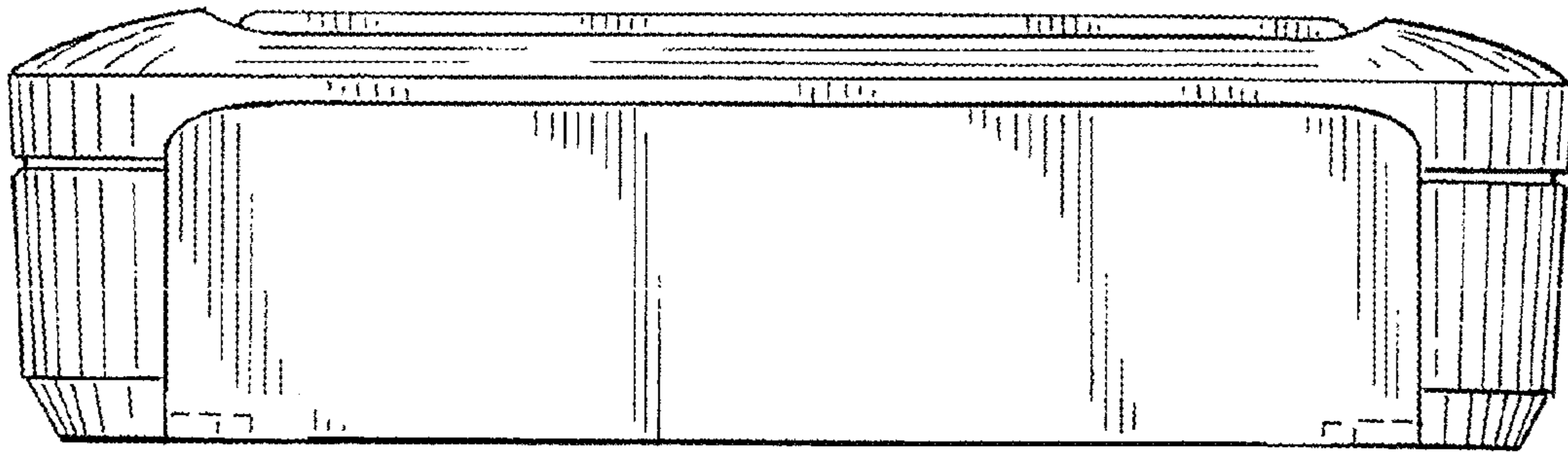


FIG. 5

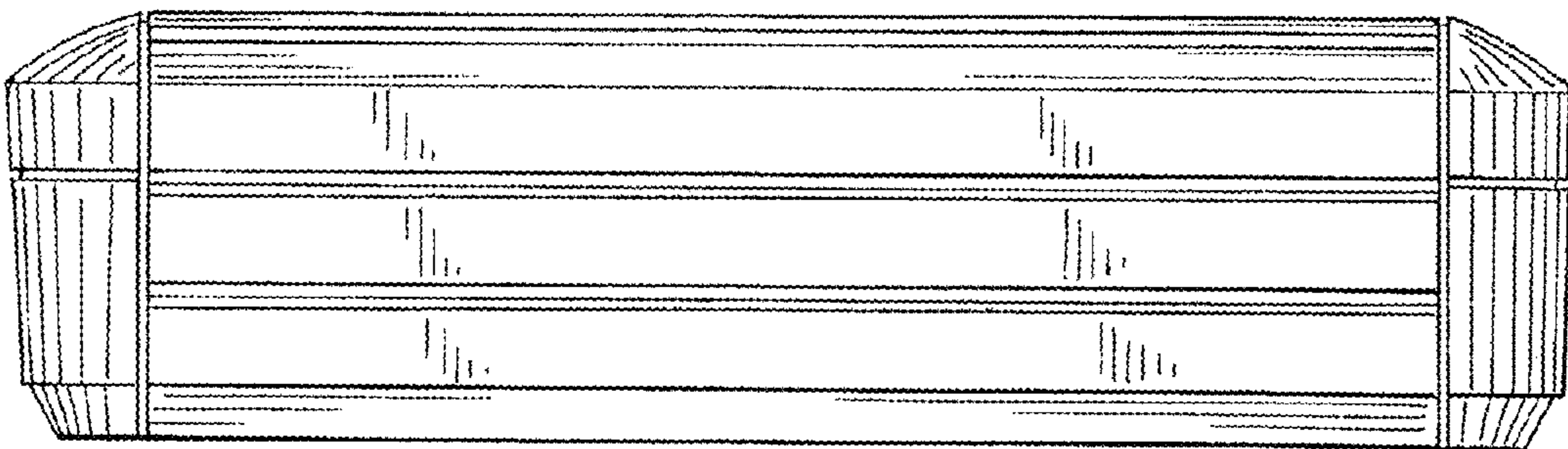


FIG. 6

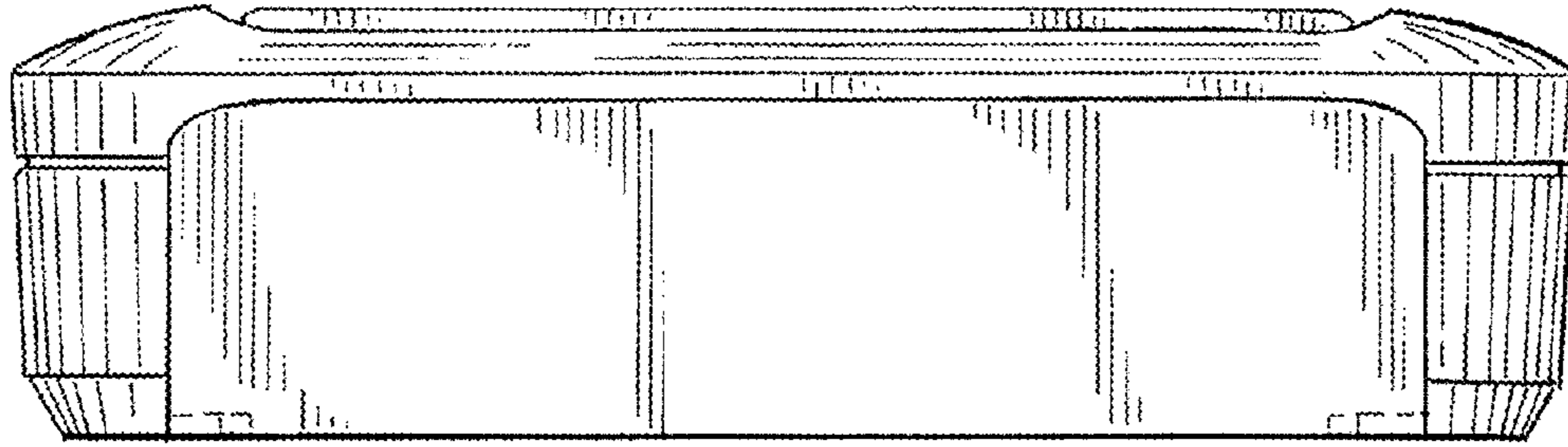


FIG. 7

