



US00D712868S

(12) **United States Design Patent**
Cho et al.

(10) **Patent No.:** **US D712,868 S**

(45) **Date of Patent:** **** Sep. 9, 2014**

(54) **AUDIO**

(75) Inventors: **Ju-Won Cho**, Seoul (KR); **Tae-Hun Kim**, Seoul (KR)

(73) Assignee: **Samsung Electronics Co., Ltd.**, Suwon-si, Gyeonggi-do (KR)

(**) Term: **14 Years**

(21) Appl. No.: **29/430,089**

(22) Filed: **Aug. 21, 2012**

(30) **Foreign Application Priority Data**

Apr. 20, 2012 (KR) 30-2012-0018929

(51) **LOC (10) Cl.** **14-03**

(52) **U.S. Cl.**
USPC **D14/188**

(58) **Field of Classification Search**
USPC D3/201, 273; D13/103, 106, 184;
D14/132, 133, 137, 138 AB, 155, 188,
D14/193, 196, 203.4, 210, 211, 213, 214,
D14/221, 242, 243, 257, 258, 265, 315, 321,
D14/345, 348, 351, 353, 358, 433, 496, 498,
D14/500-503; D26/72, 104, 118; 359/258;
375/222; 455/557; 711/100, 115;
720/270, 658, 691; 725/111

See application file for complete search history.

(56) **References Cited**

U.S. PATENT DOCUMENTS

D308,667 S * 6/1990 Makidera D14/425
D320,212 S * 9/1991 Someya D14/242

D372,227 S * 7/1996 Ohta D14/425
D502,465 S * 3/2005 Laity et al. D14/242
D571,351 S * 6/2008 Sogabe D14/168
D595,279 S * 6/2009 Chiba et al. D14/240
D630,228 S * 1/2011 Kim D14/496
D657,343 S * 4/2012 Cho et al. D14/188
D676,444 S * 2/2013 Cloutier D14/349
D682,266 S * 5/2013 Wu et al. D14/358
D689,050 S * 9/2013 Chong et al. D14/358

* cited by examiner

Primary Examiner — Stella Reid

Assistant Examiner — Janice Lim

(74) *Attorney, Agent, or Firm* — Flynn, Thiel, Boutell & Tanis, P.C.

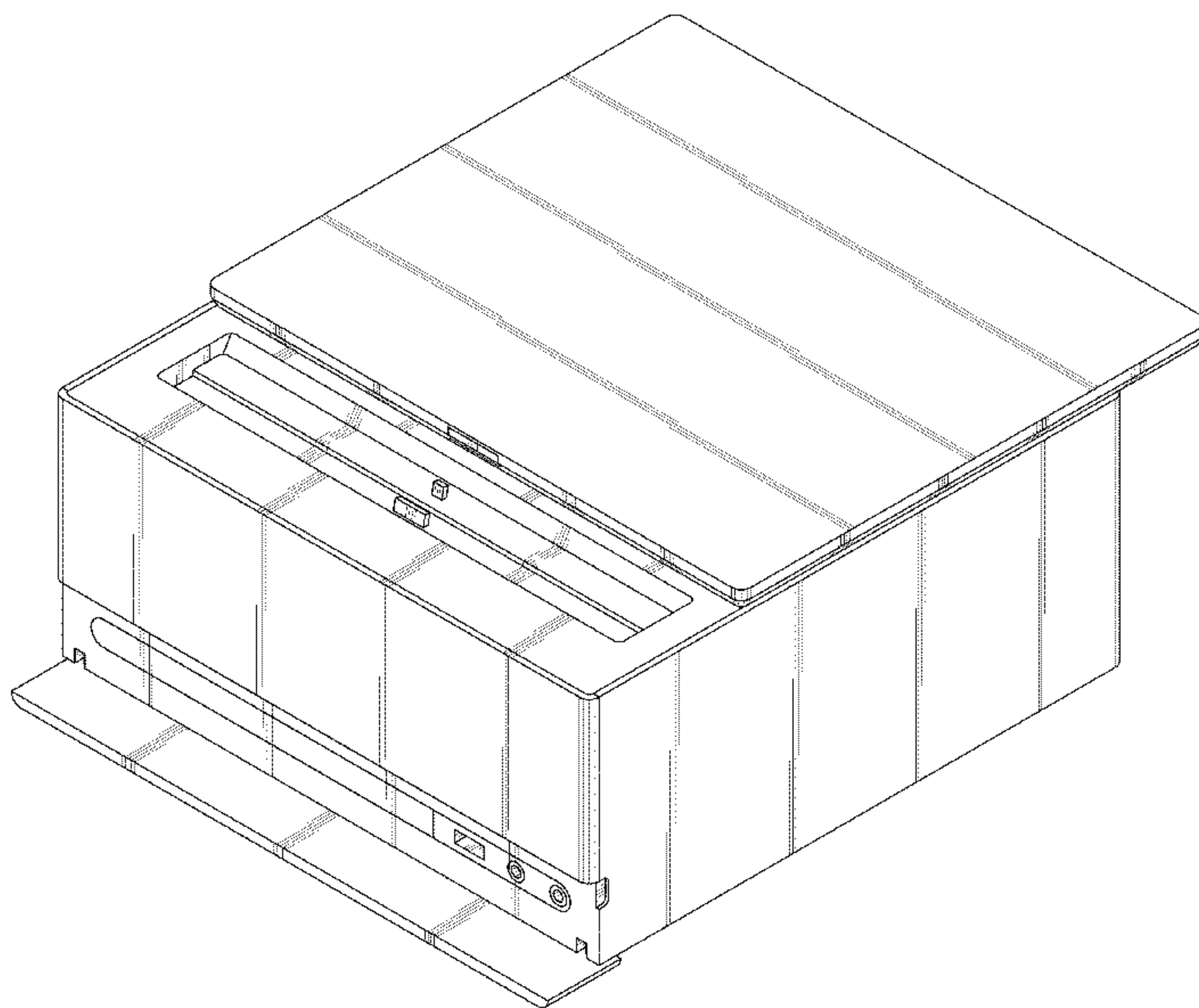
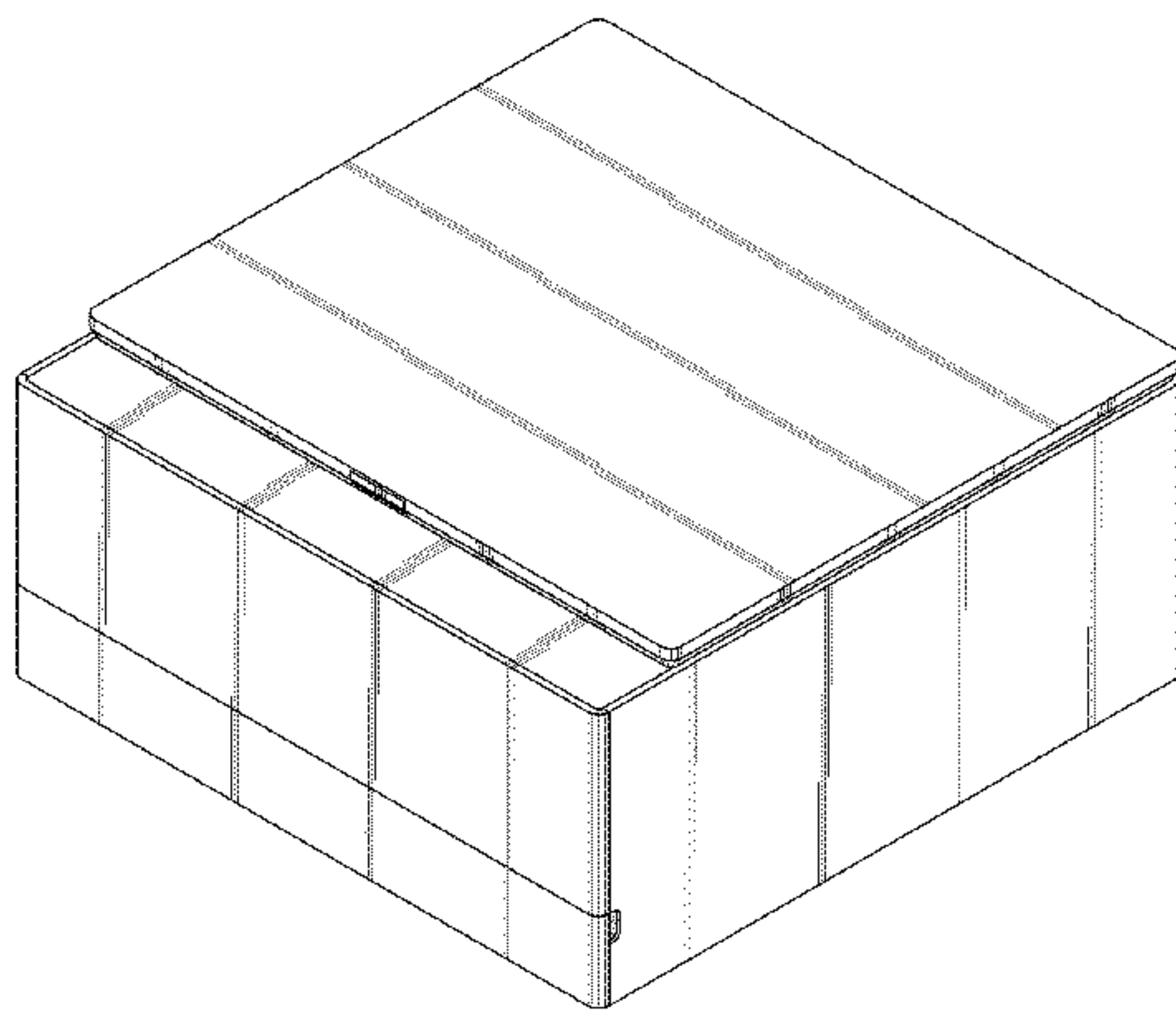
(57) **CLAIM**

The ornamental design for an audio, as shown and described.

DESCRIPTION

FIG. 1 is a top front perspective view of an audio showing our new design;
FIG. 2 is a front elevational view thereof;
FIG. 3 is a rear elevational view thereof;
FIG. 4 is a left side elevational view thereof;
FIG. 5 is a right side elevational view thereof;
FIG. 6 is a top plan view thereof;
FIG. 7 is a bottom plan view thereof; and,
FIG. 8 is a top front perspective view thereof, with the upper and lower cover boards in opened condition.
The broken line portions of FIG. 3 are included to show unclaimed internal subject matter only and form no part of the claimed design.

1 Claim, 5 Drawing Sheets



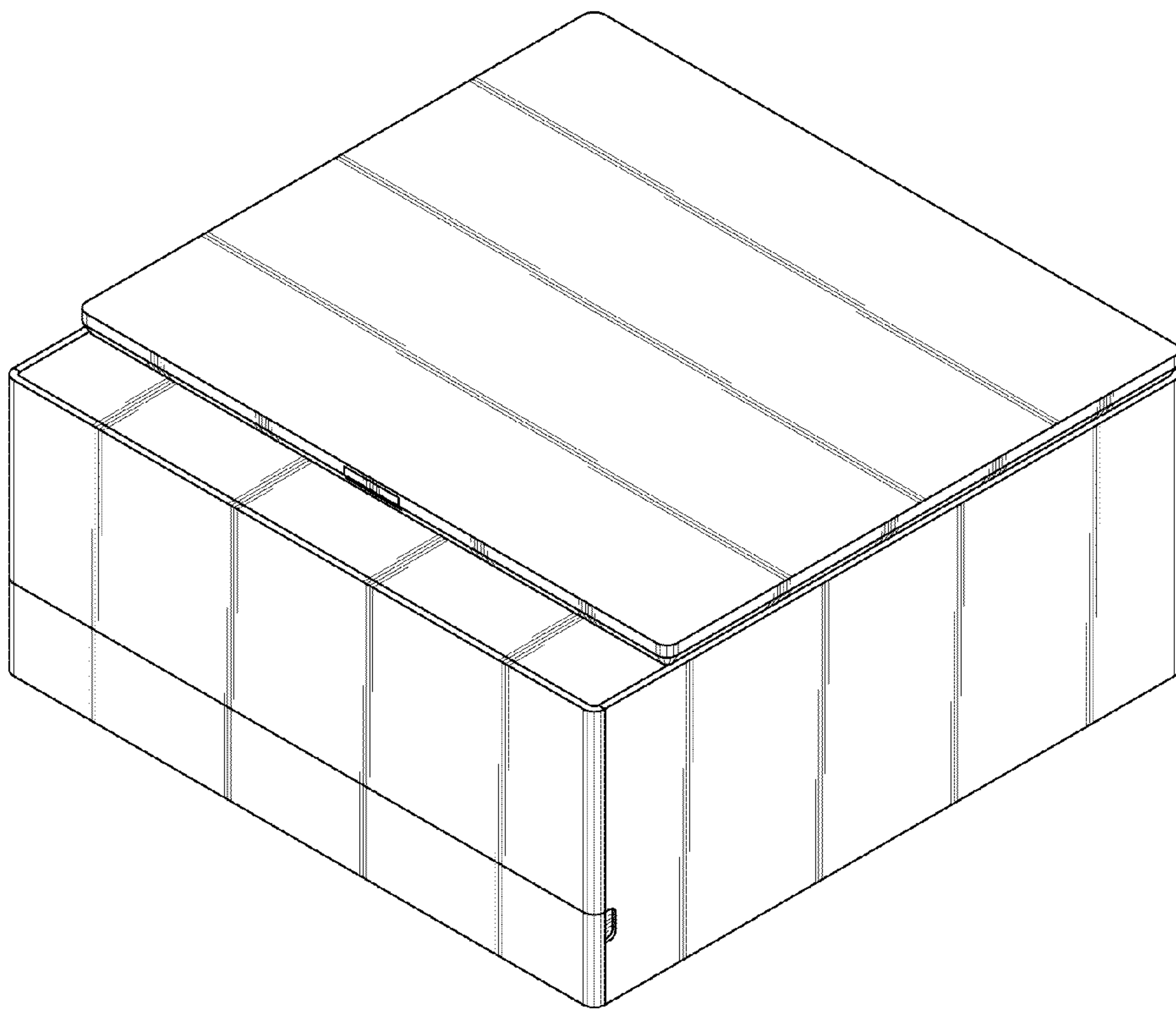


FIG. 1

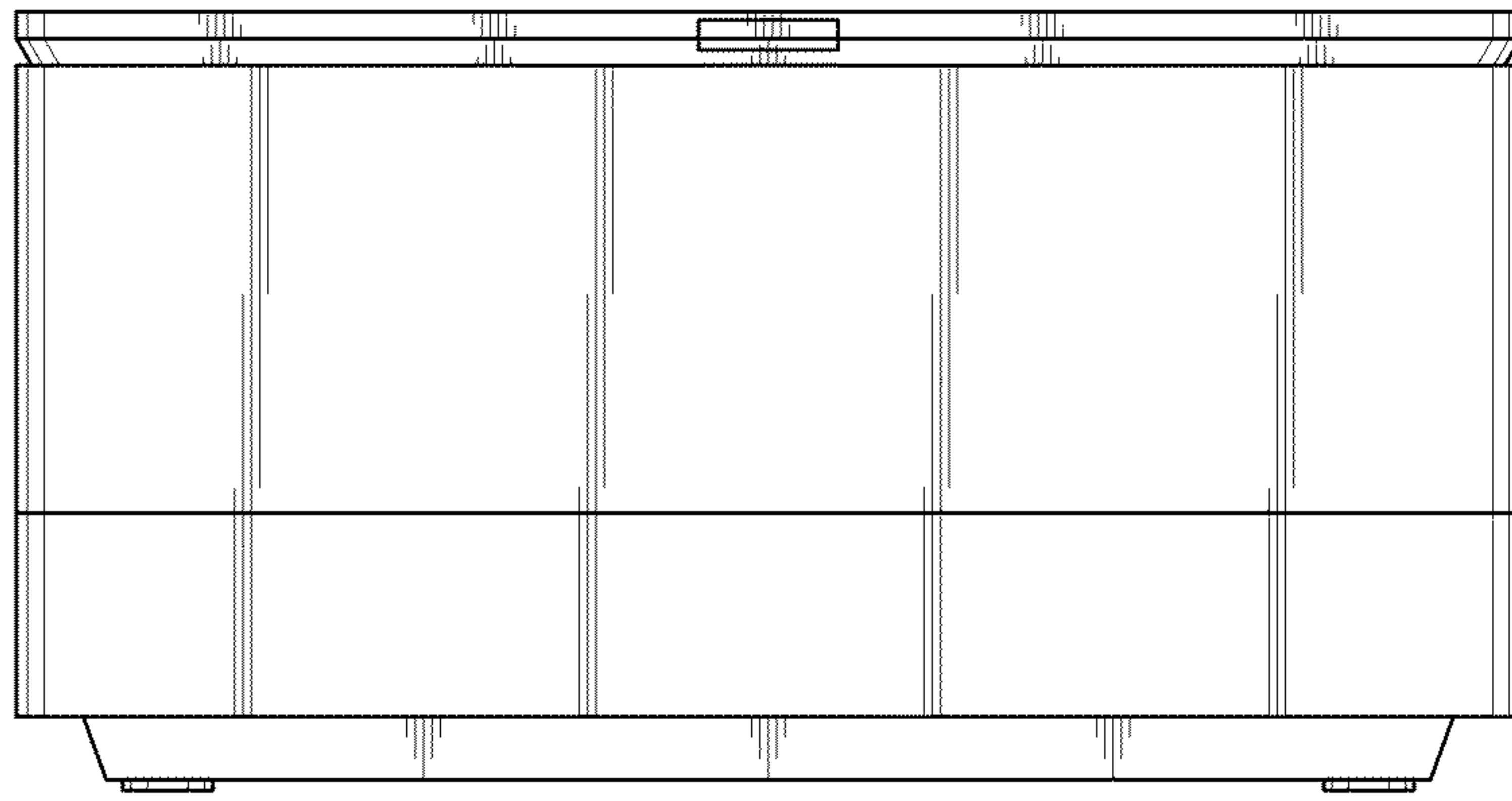


FIG. 2

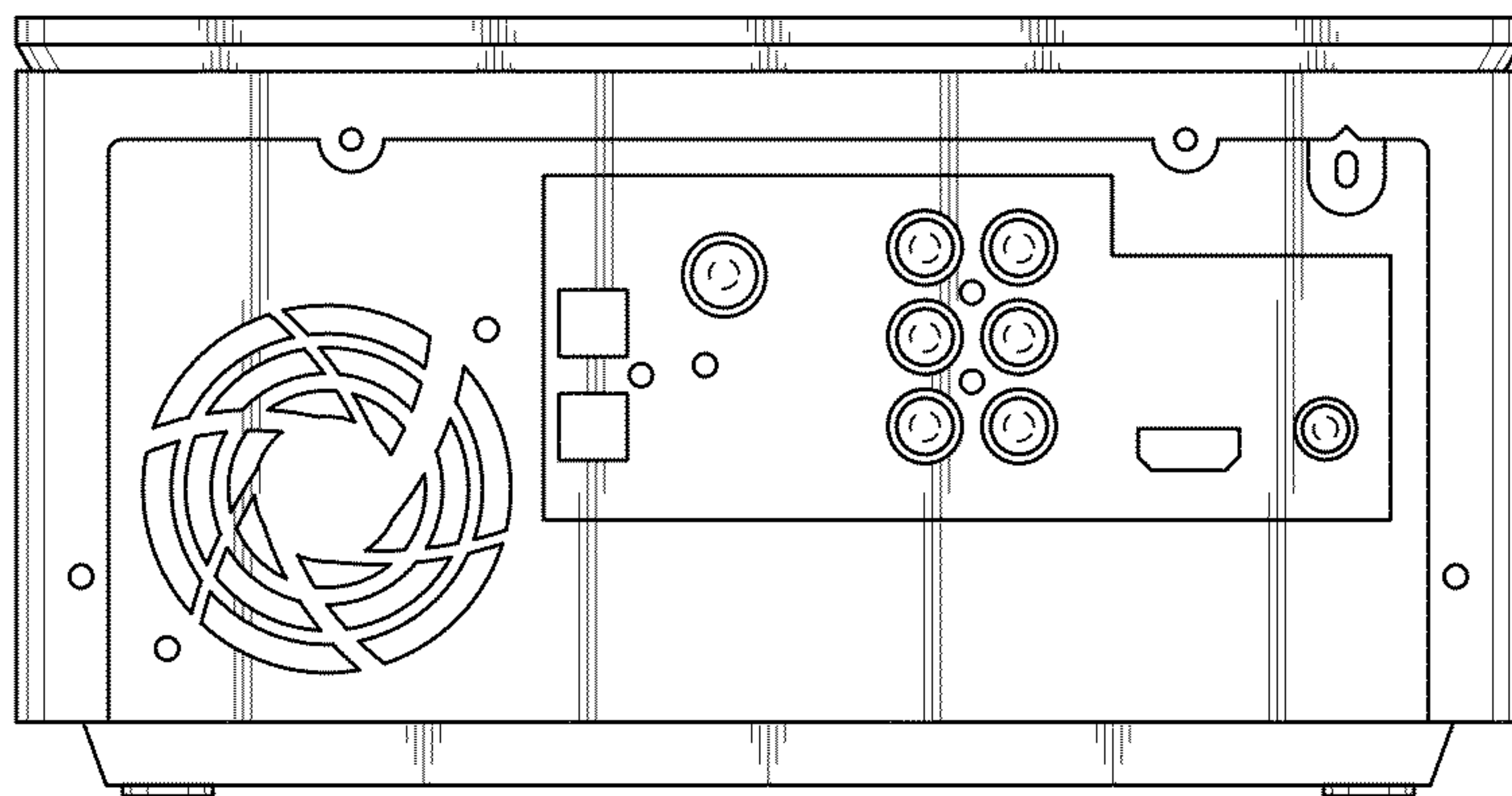


FIG. 3

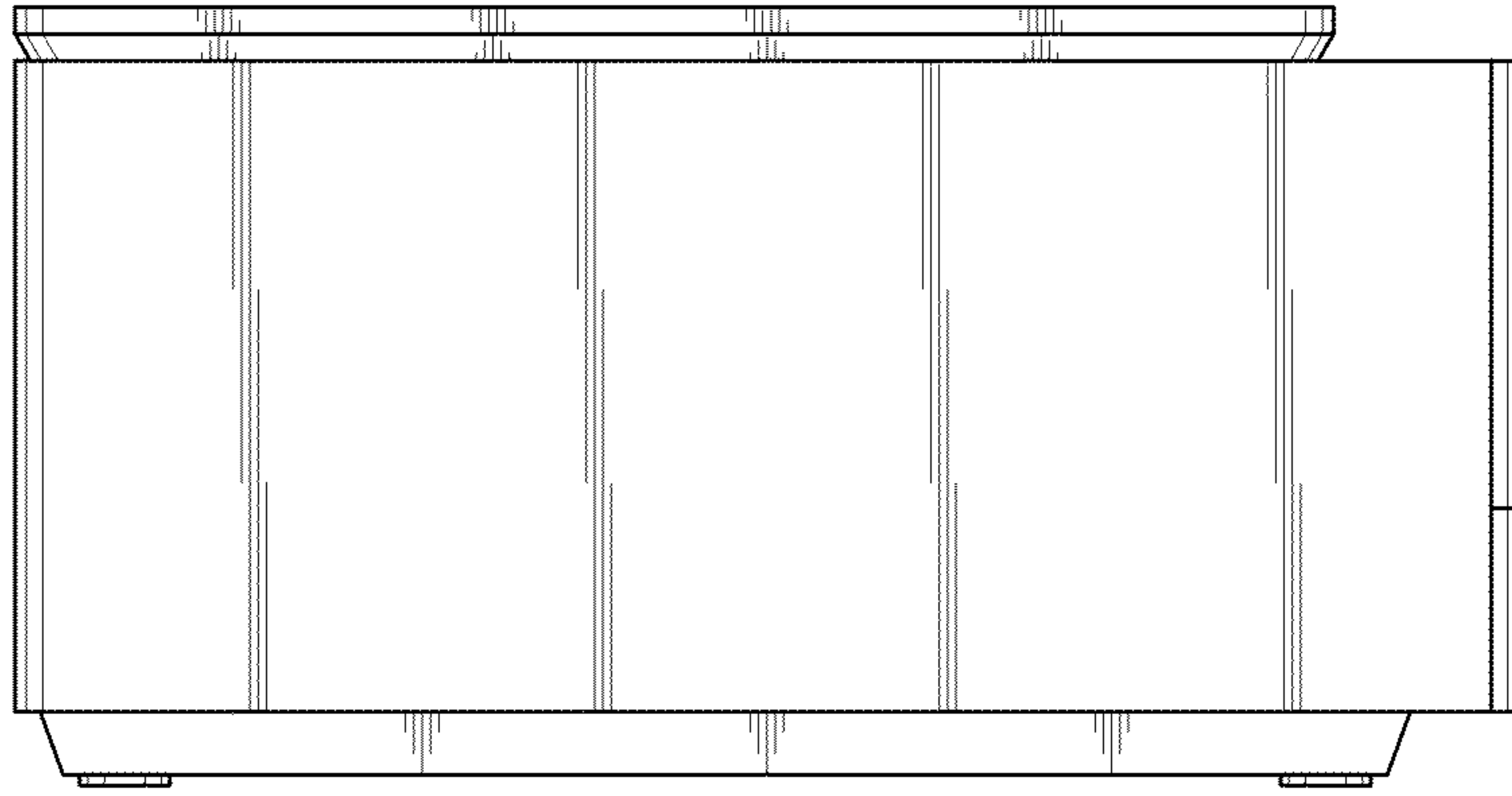


FIG. 4

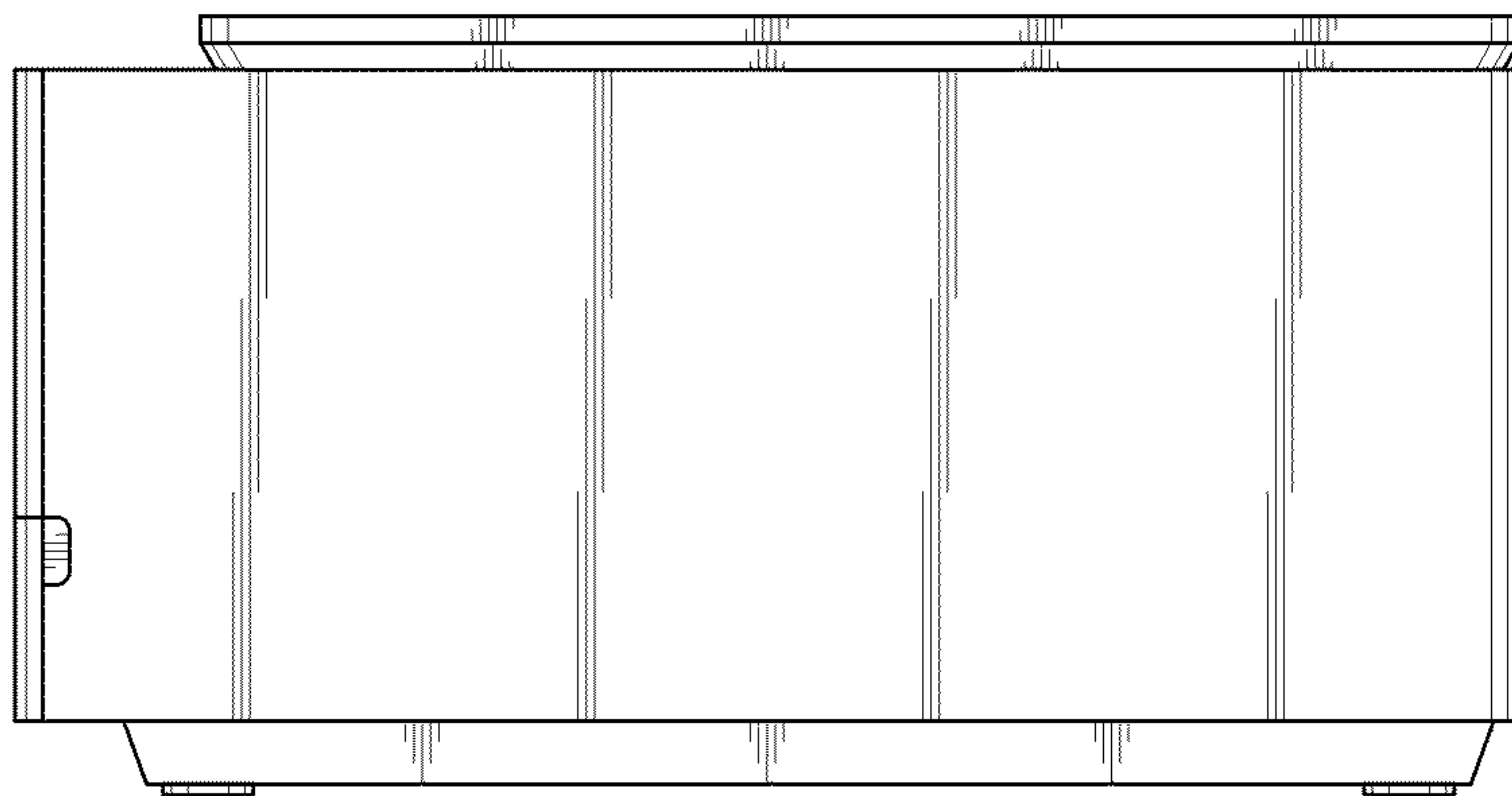


FIG. 5

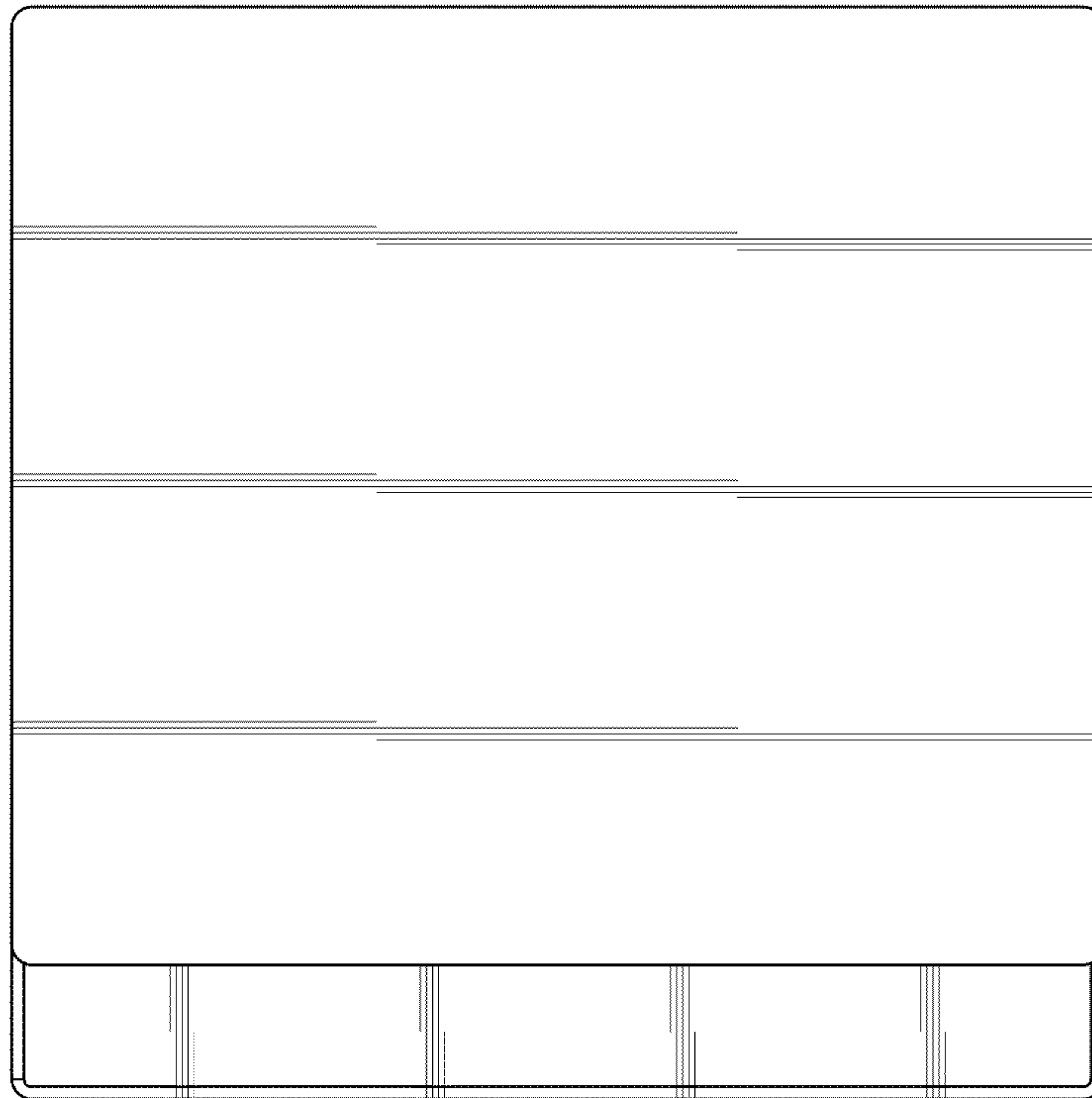


FIG. 6

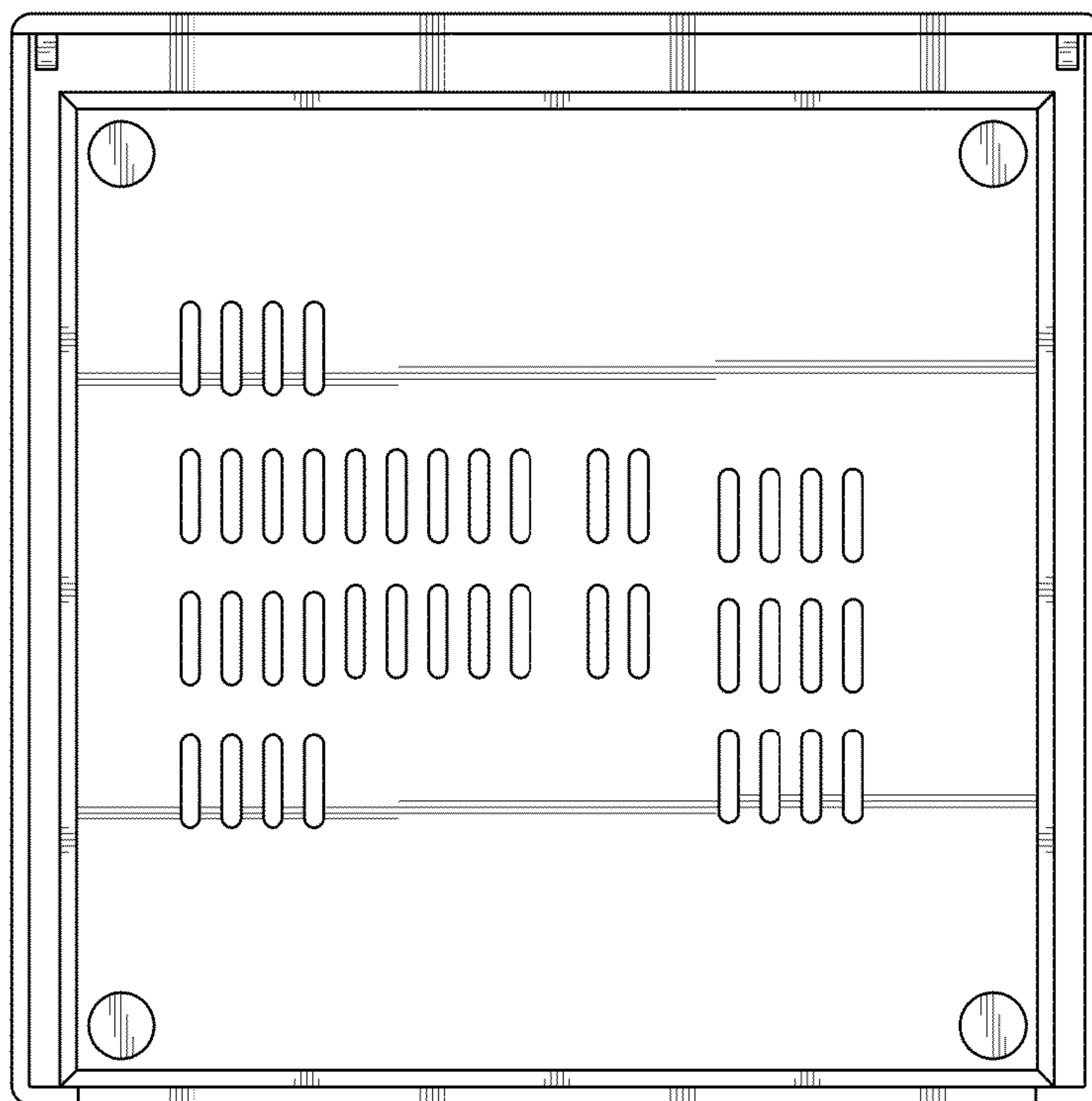


FIG. 7

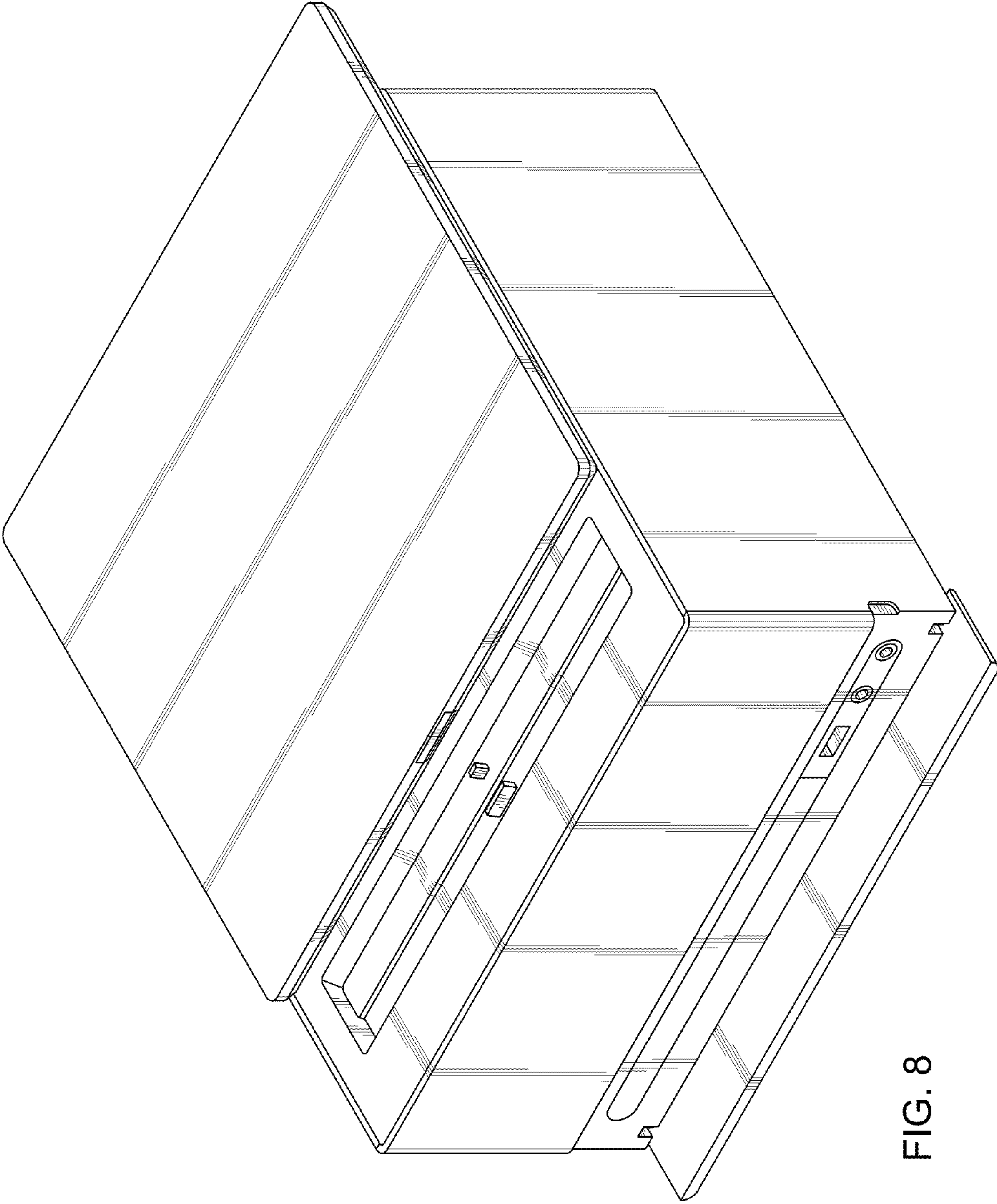


FIG. 8