



US00D712867S

(12) **United States Design Patent**  
**Vats**

(10) **Patent No.:** **US D712,867 S**  
(45) **Date of Patent:** **\*\* Sep. 9, 2014**

(54) **FLIP MOBILE PHONE WITH TRANSPARENT DISPLAY**

(71) Applicant: **Nitin Vats**, Meerut (IN)

(72) Inventor: **Nitin Vats**, Meerut (IN)

(73) Assignee: **Nitin Vats**, Meerut (IN)

(\*\*) Term: **14 Years**

(21) Appl. No.: **29/480,196**

(22) Filed: **Jan. 24, 2014**

(51) **LOC (10) Cl.** ..... **14-03**

(52) **U.S. Cl.**

USPC ..... **D14/138 AB**; D14/341; D14/375

(58) **Field of Classification Search**

CPC ..... H04M 1/0214; H04M 1/0216; H04M 1/0245; H04M 1/023; H04M 2250/16; H04M 1/022; H04M 1/021; H04M 1/0202; H04M 1/0239; G06F 1/1641; G06F 1/1616

USPC ..... D14/138 AB, 138 AD, 341-34, 203.1, D14/203.4, 203.3, 203.7, 143, 248, 218, D14/138 G, 147, 138 AA, 138 R, 336, 375, D14/374, 130; 455/575.1, 556.2, 575.3, 455/575.4, 566; D21/517; 379/433.01, 379/433.04, 433.12, 433.13; D10/65, 78, D10/104.1; D13/168; 361/679.3, 679.56; 345/1.3; D6/310-312, 314

See application file for complete search history.

(56) **References Cited**

**U.S. PATENT DOCUMENTS**

D342,611 S *	12/1993	Andrews et al. ....	D6/314
D343,065 S *	1/1994	Barbieri .....	D6/310
D370,355 S *	6/1996	Kenney .....	D6/314
D372,019 S *	7/1996	Ive et al. ....	D14/336
D403,670 S *	1/1999	Liao .....	D14/375
D423,796 S *	5/2000	Kwan .....	D6/314
D454,870 S *	3/2002	Lee et al. ....	D14/341
D475,985 S *	6/2003	Huang et al. ....	D14/130
D524,312 S *	7/2006	Young .....	D14/375
D556,754 S *	12/2007	Koo .....	D14/375
D559,559 S *	1/2008	Butcher .....	D6/309
D562,320 S *	2/2008	Kim .....	D14/375

D576,601 S *	9/2008	Yasuda et al. ....	D14/138 AB
D577,075 S *	9/2008	Bode .....	D20/43
D584,304 S *	1/2009	Lin .....	D14/346
D588,126 S *	3/2009	Chiang et al. ....	D14/345
D645,044 S *	9/2011	Chang .....	D14/375
8,195,243 B2 *	6/2012	Kim et al. ....	455/566
D664,957 S *	8/2012	Kim .....	D14/374
D671,944 S *	12/2012	Giddings .....	D14/407
D679,275 S *	4/2013	Giddings .....	D14/391
D680,533 S *	4/2013	Song et al. ....	D14/345
8,457,696 B2 *	6/2013	Pegg .....	455/575.3
D695,286 S *	12/2013	Katz .....	D14/315
D696,254 S *	12/2013	Groene et al. ....	D14/345
D699,240 S *	2/2014	Kim et al. ....	D14/341
8,698,771 B2 *	4/2014	Lee et al. ....	345/173
D704,702 S *	5/2014	Akana et al. ....	D14/341
2009/0201254 A1 *	8/2009	Rais .....	345/168
2011/0163986 A1 *	7/2011	Lee et al. ....	345/173
2013/0050150 A1 *	2/2013	Chang et al. ....	345/176
2013/0063385 A1 *	3/2013	Nishio .....	345/173

**OTHER PUBLICATIONS**

Concept Phones search on "transparent", p. 2 of 12 of web page results= 22 printed pages, 10 different phones shown each dated individually, concept-phones.com, [online], [site visited Jun. 12, 2014]. Available from Internet, <http://www.concept-phones.com/page/2/?s=transparent>.\*

Double Glassy Layers Mobile Device Concept, So Transparent . . . , by Thyrstan, dated Nov. 19, 2008, concept-phones.com [online], [site visited Jun. 12, 2014]. Available from Internet, <URL: http://www.concept-phones.com/cool-concepts/double-glassy-layers-mobile-device-concept-transparent/>.\*

Transparent Dual Display Phone Comes With Augmented Reality Features and More, by Thyrstan, posted Sep. 13, 2011, concept-phones.com [online], [site visited May 19, 2014]. Available from Internet, <URL: http://www.concept-phones.com/cool-concepts/transparent-dual-display-phone-augmented-reality-features/>.\*

Transparent phones soon to be on the market?, by isthereanythathasnt3, posted Feb. 22, 2013, youtube, [online], [site visited May 19, 2014]. Available from Internet, <URL: https://www.youtube.com/watch?v=4gvw7qndc38>.\*

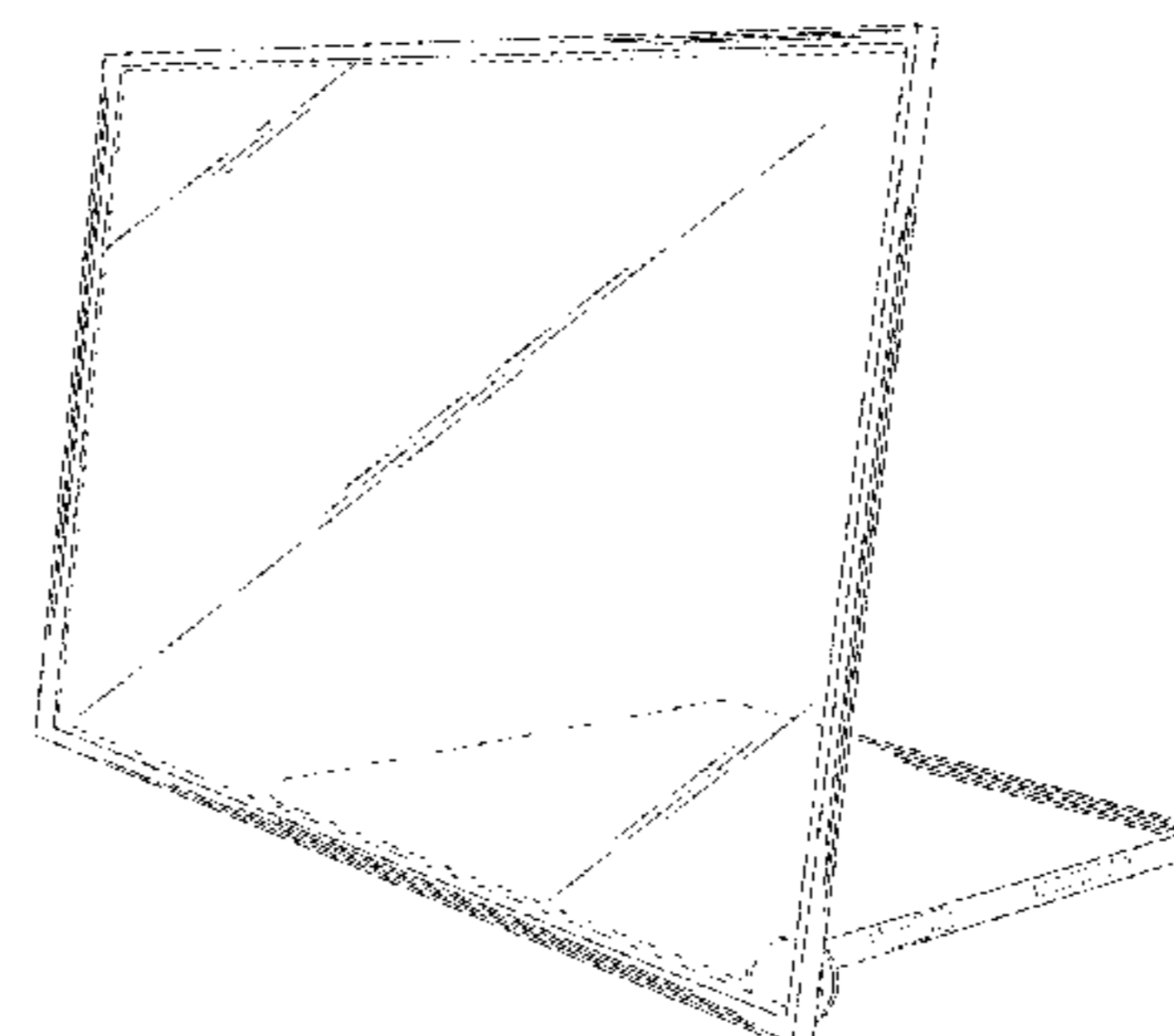
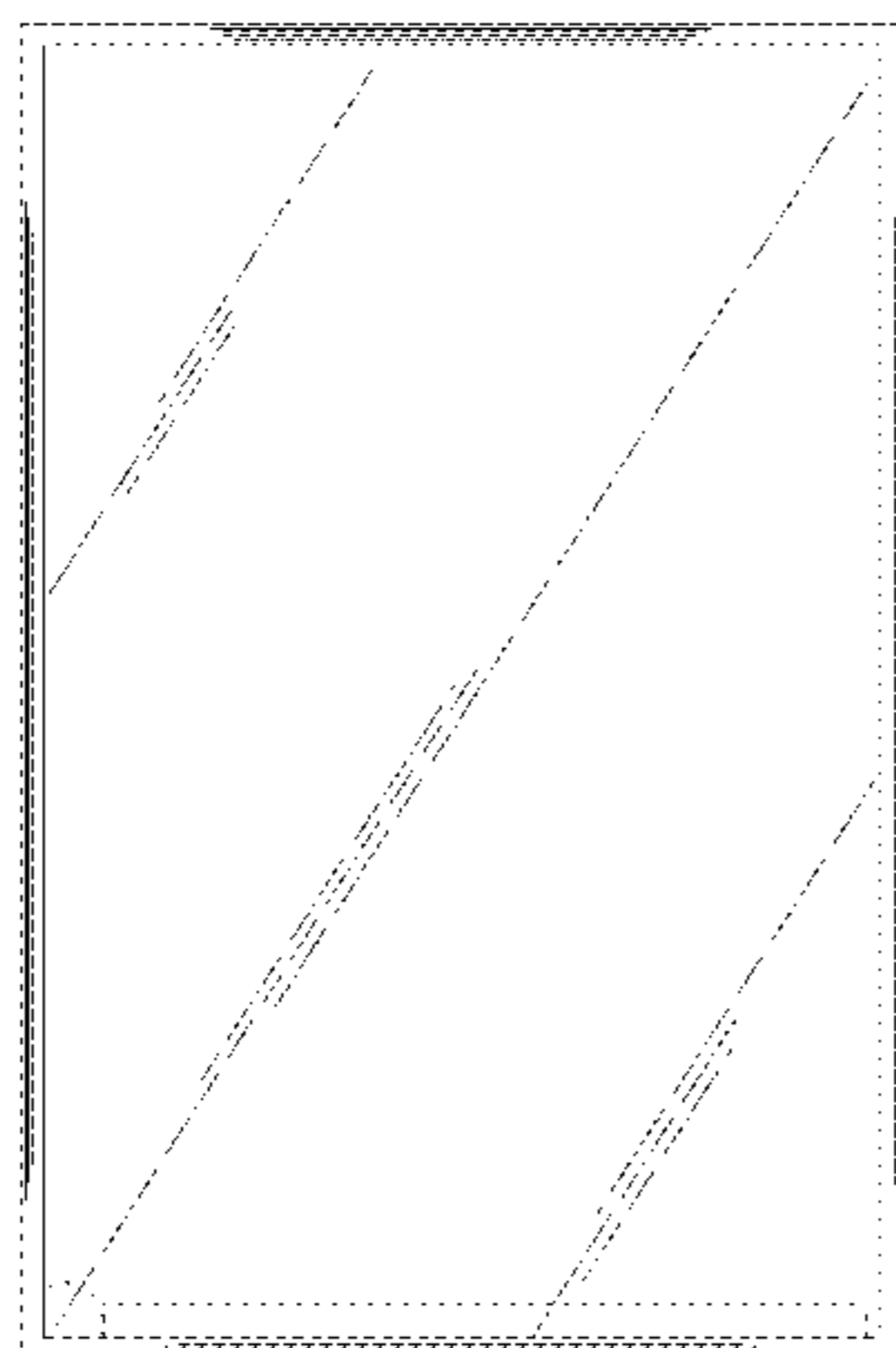
Double Layer Screens Spell the Birth of 3D Mobile Device Displays, by Thyrstan, posted Oct. 27, 2008, concept-phones.com [online], [site visited Jun. 12, 2014]. Available from Internet, <URL: http://www.concept-phones.com/apple/double-layer-screens-spell-birth-3d-mobile-device-displays/>.\*

\* cited by examiner

*Primary Examiner* — Jeffrey D Asch

(57) **CLAIM**

The ornamental design for a flip mobile phone with transparent display, as shown and described.



**DESCRIPTION**

FIG. 1 is a front perspective view of a flip mobile phone with transparent display showing our new design;  
FIG. 2 is a front view thereof;  
FIG. 3 is a rear view thereof;  
FIG. 4 is a left side view thereof;  
FIG. 5 is a right side view thereof;  
FIG. 6 is a top view thereof;  
FIG. 7 is a front perspective view of the flip mobile phone showing transparent display part in an alternate open position;  
FIG. 8 is a front view of the flip mobile phone showing the transparent display part in another alternate position;  
FIG. 9 is a rear view of the flip mobile phone showing the transparent display part in an alternate position;  
FIG. 10 is a left side view of the flip mobile phone showing the transparent display part in an alternate position;  
FIG. 11 is a right side view of the flip mobile phone showing the transparent display part in an alternate position;  
FIG. 12 is a top view of the flip mobile phone showing the transparent display part in another alternate position;  
FIG. 13 is a front perspective view of the flip mobile phone showing the transparent display part in fully closed position;

FIG. 14 is a front view of the flip mobile phone showing the transparent display part in fully closed position;  
FIG. 15 is a rear view of the flip mobile phone showing the transparent display part in fully closed position;  
FIG. 16 is a left side view of the flip mobile phone showing the transparent display part in fully closed position;  
FIG. 17 is a right side view of the flip mobile phone showing the transparent display part in fully closed position;  
FIG. 18 is a front perspective view of the flip mobile phone showing the transparent display part in fully opened position  
FIG. 19 is a front view of the flip mobile phone showing the transparent display part in fully opened position;  
FIG. 20 is a rear view of the flip mobile phone showing the transparent display part in fully opened position;  
FIG. 21 is a left side view of the flip mobile phone showing the transparent display part in fully opened position; and,  
FIG. 22 is a right side view of the flip mobile phone showing the transparent display part in fully opened position.  
The shade lines in the Figures show contour or transparency and not surface ornamentation.  
The broken lines in the FIG. 1, 4-5, 7, 10-11, 16-18, 21-22 show portions of the flip mobile phone with transparent display which form no part of the claimed design.

**1 Claim, 12 Drawing Sheets**

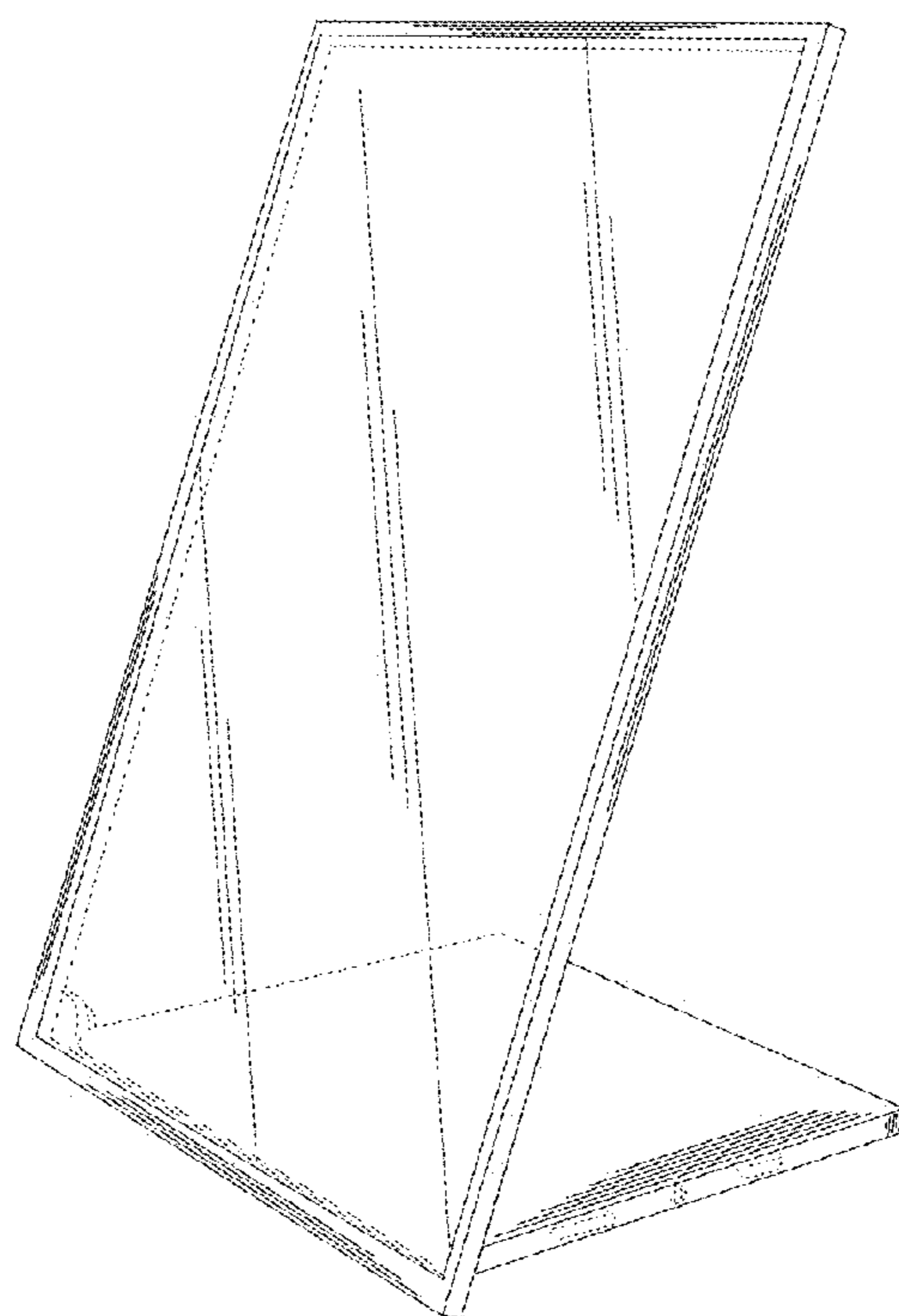


FIG. 1

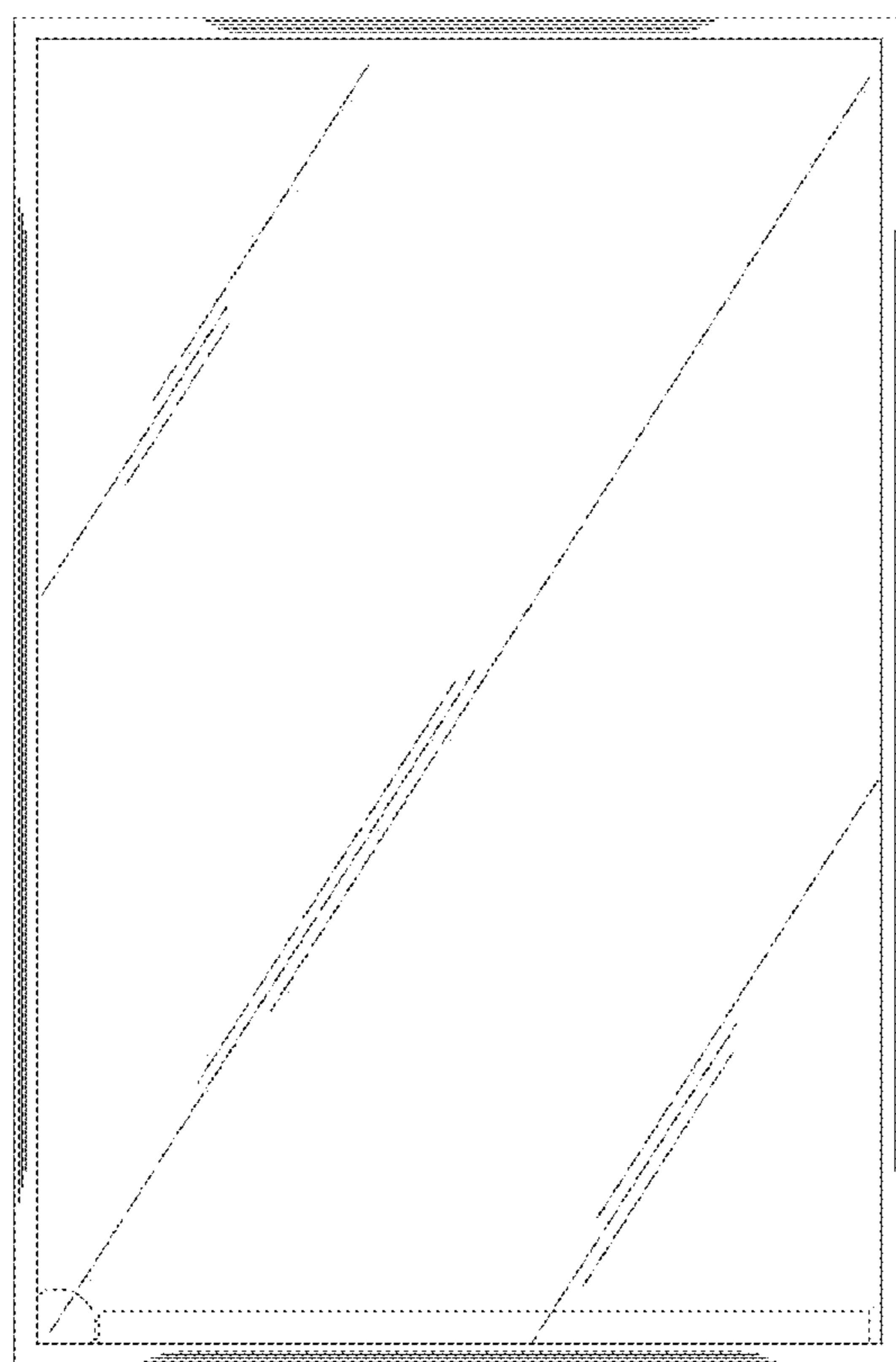


FIG. 2

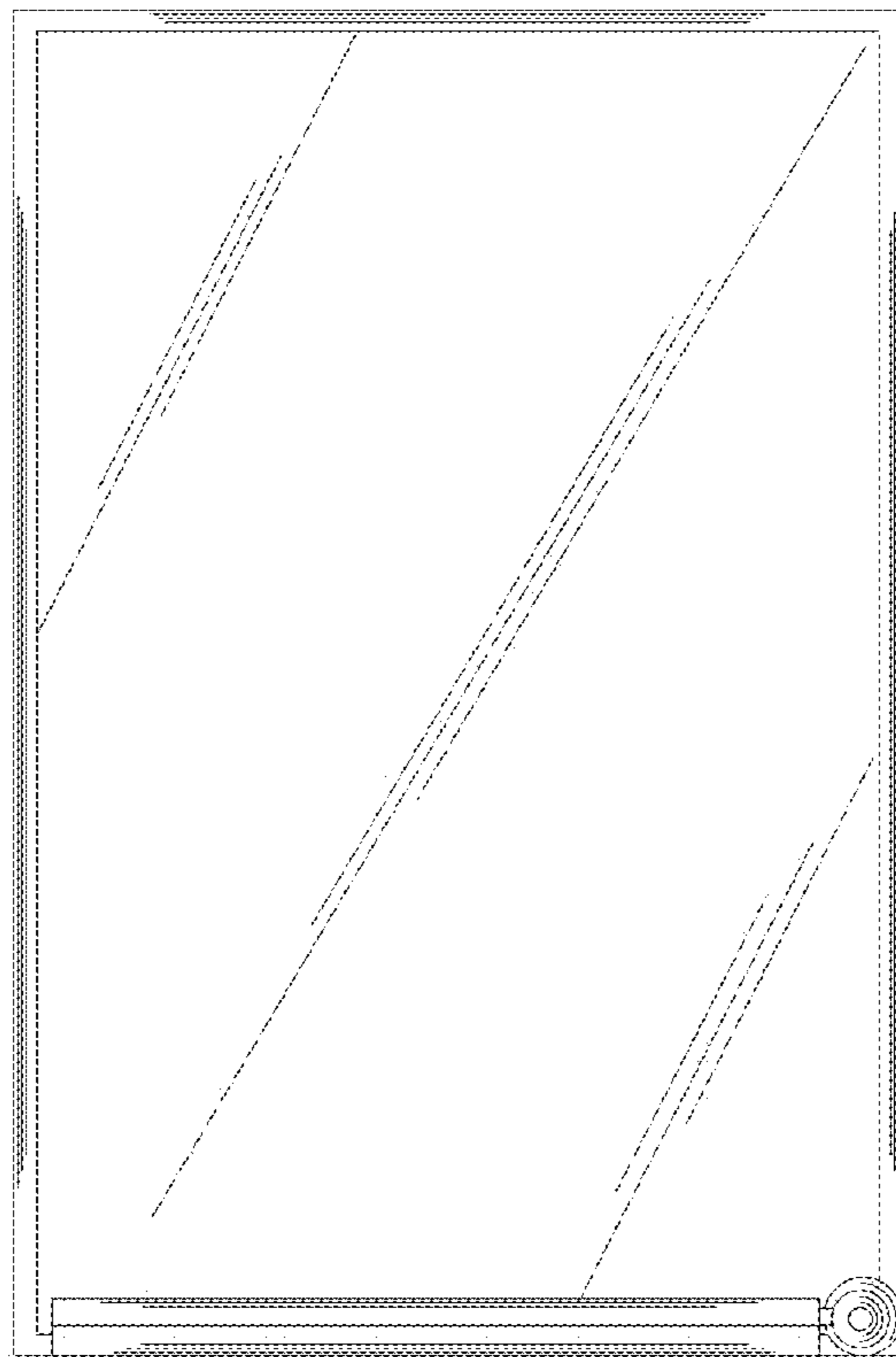


FIG. 3

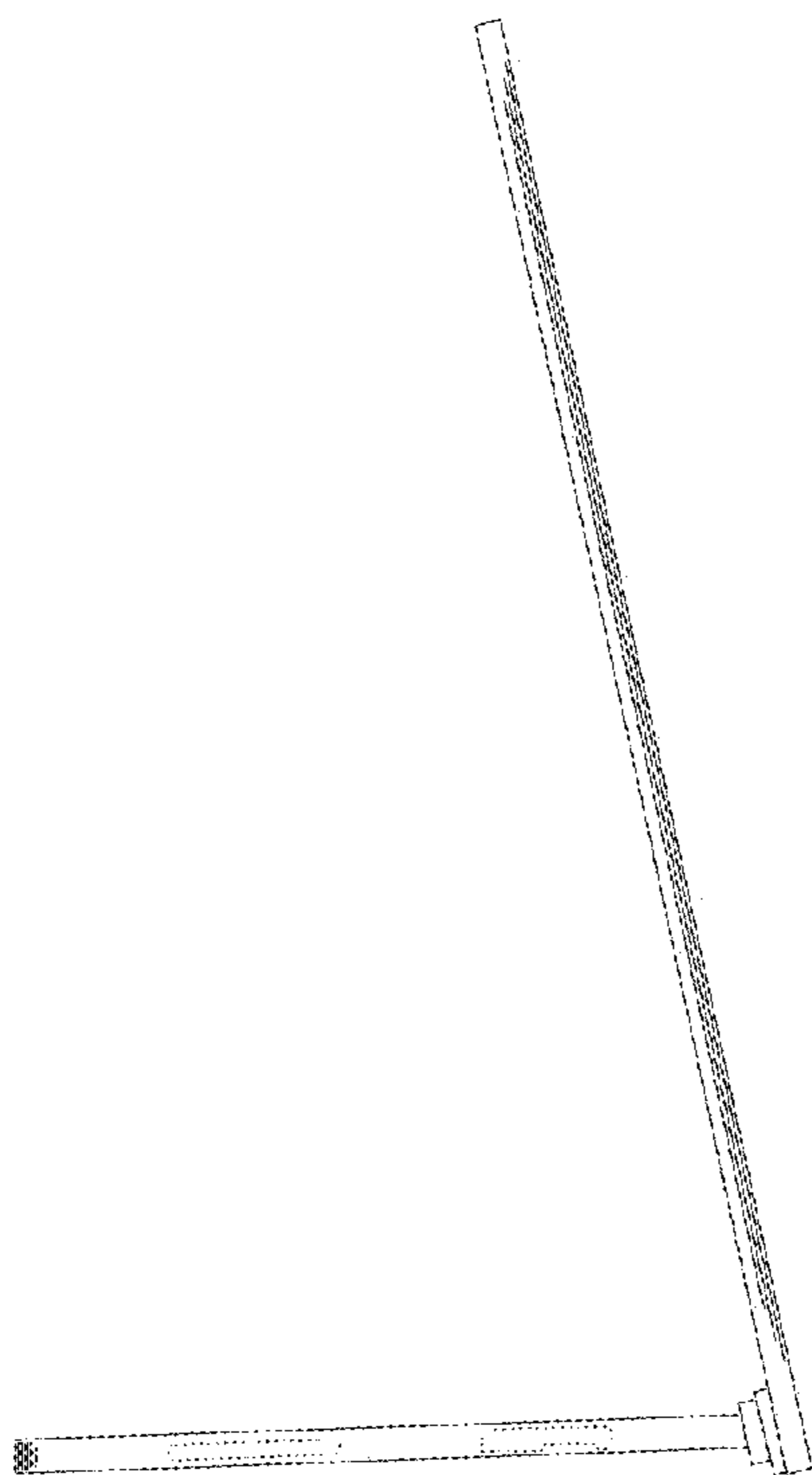


FIG. 4

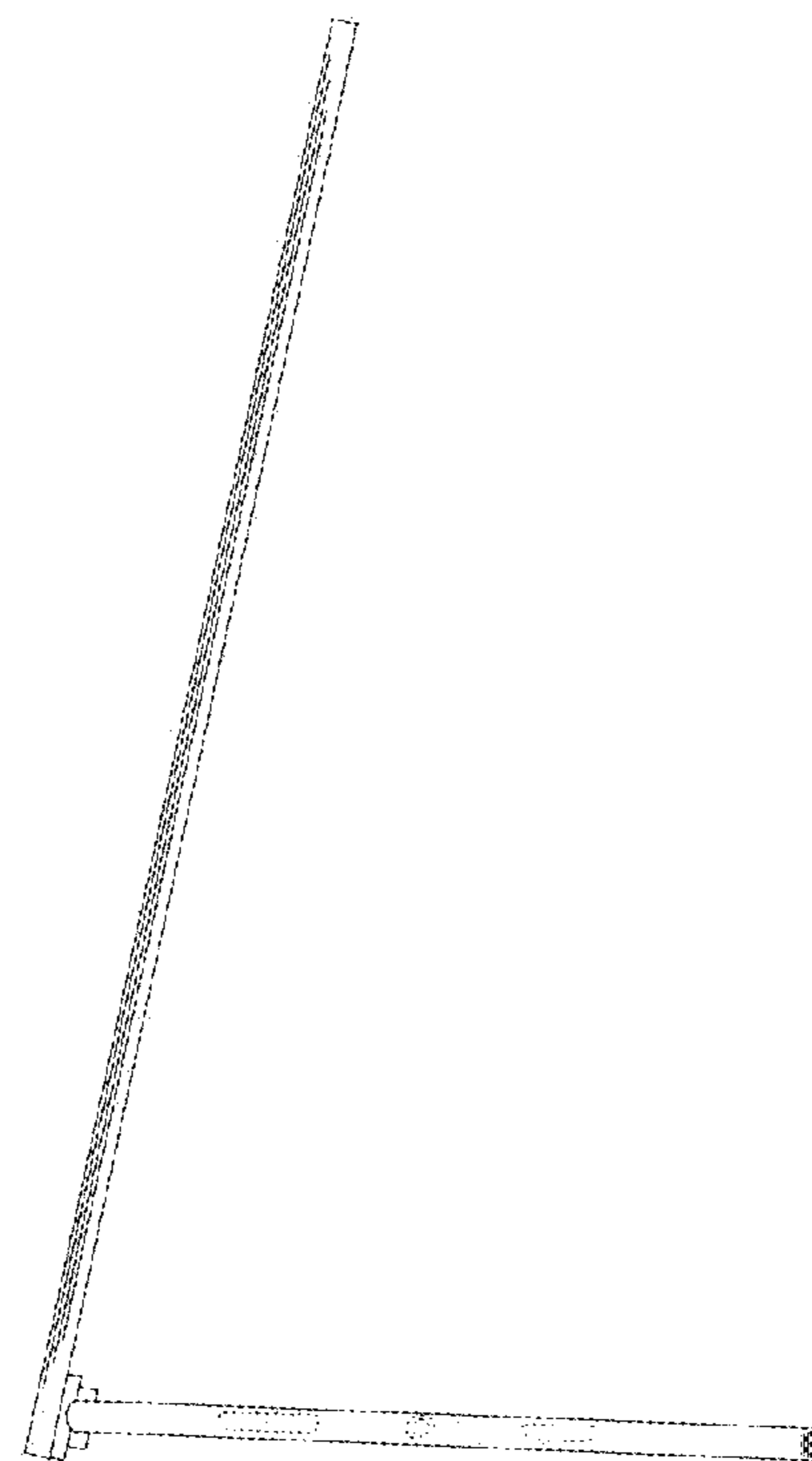


FIG. 5

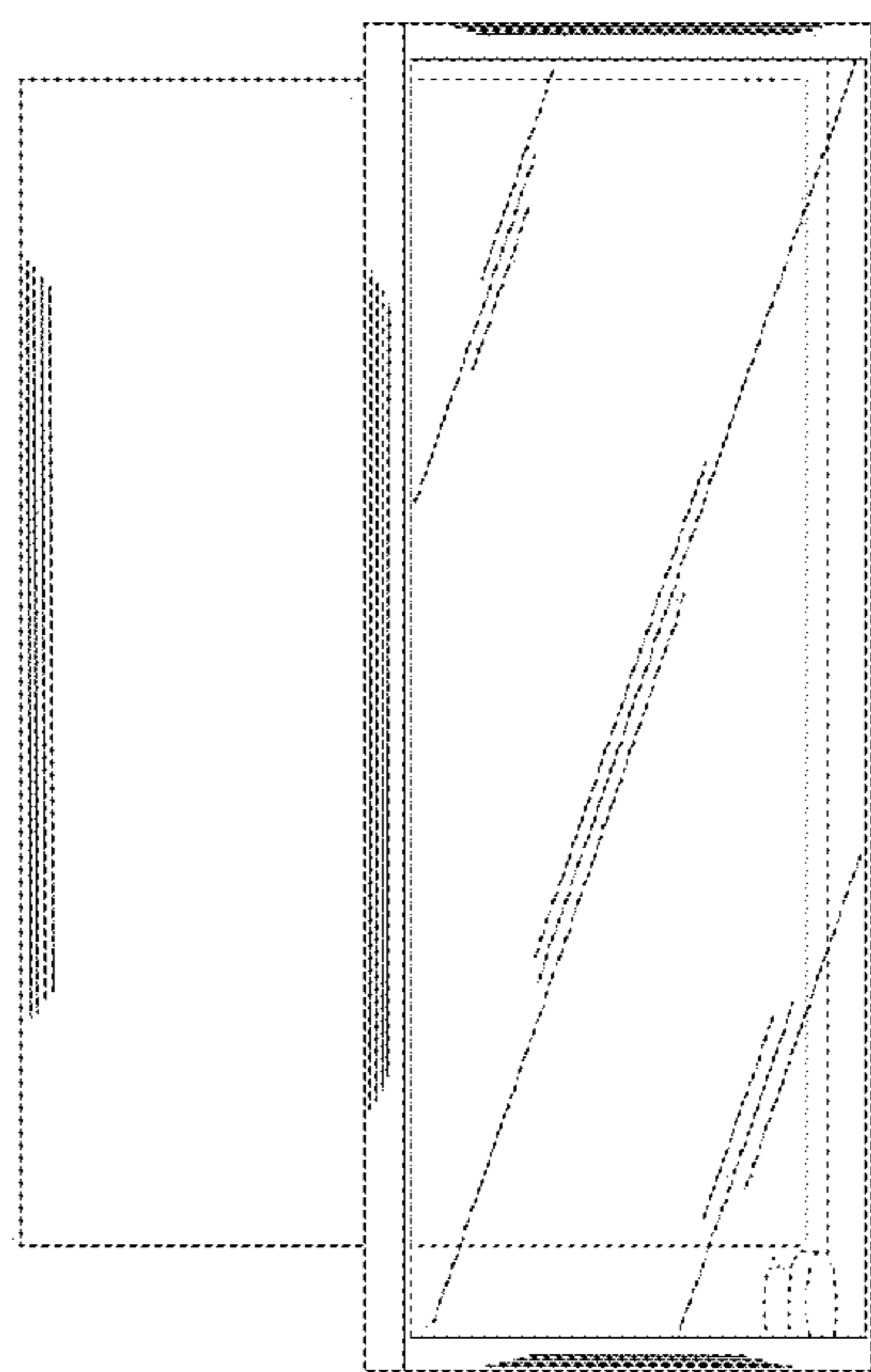


FIG. 6

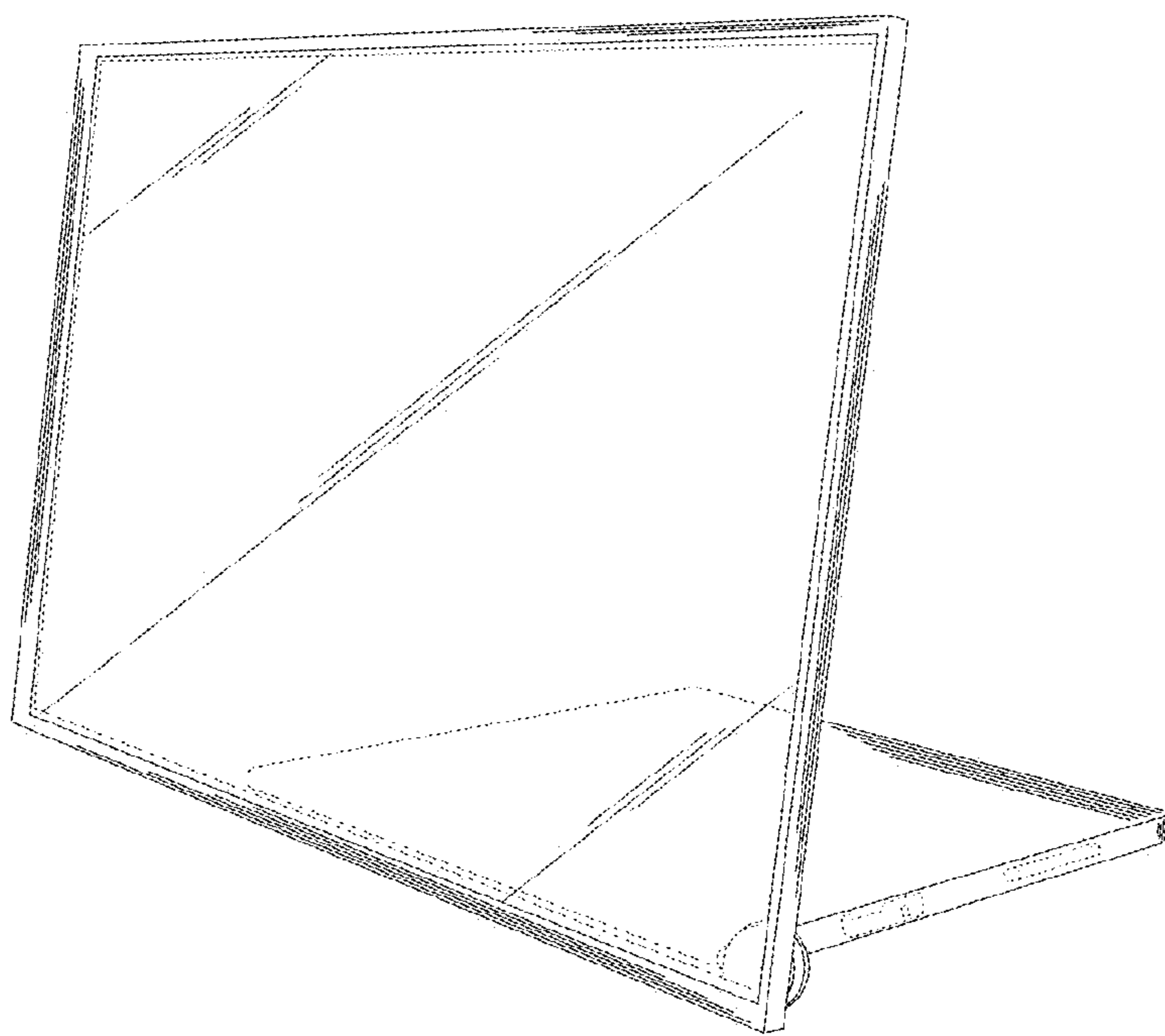


FIG. 7

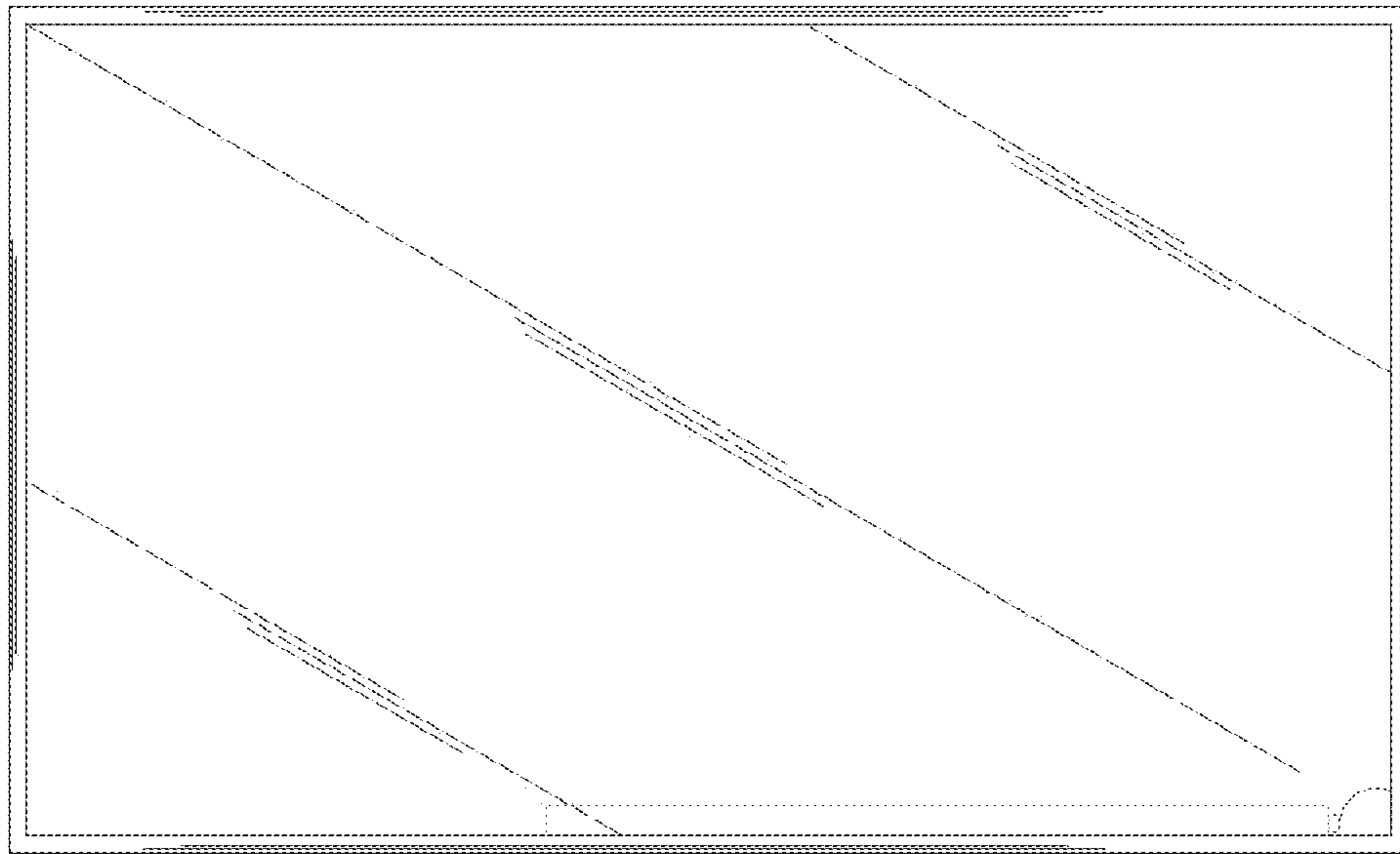


FIG. 8

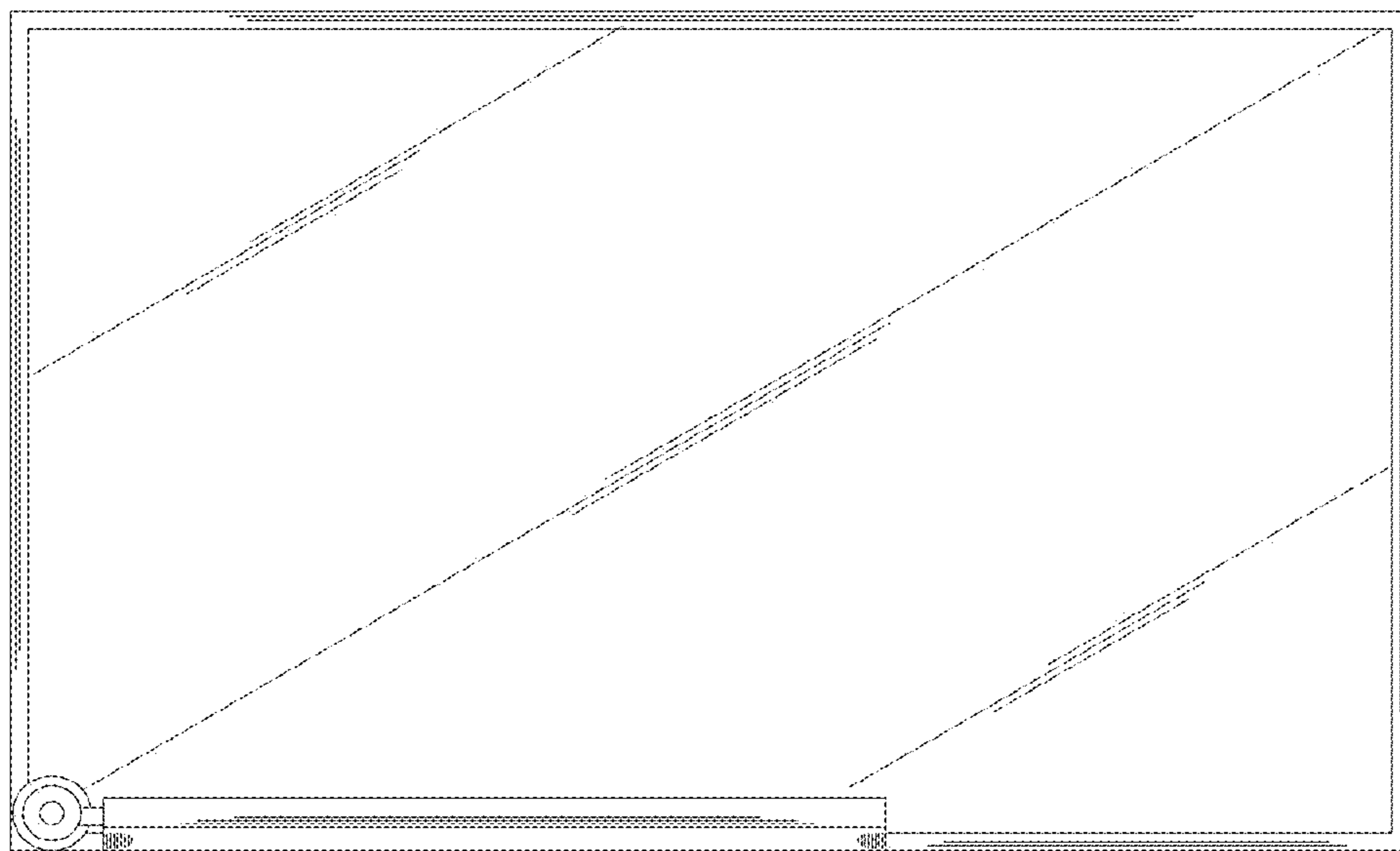


FIG. 9

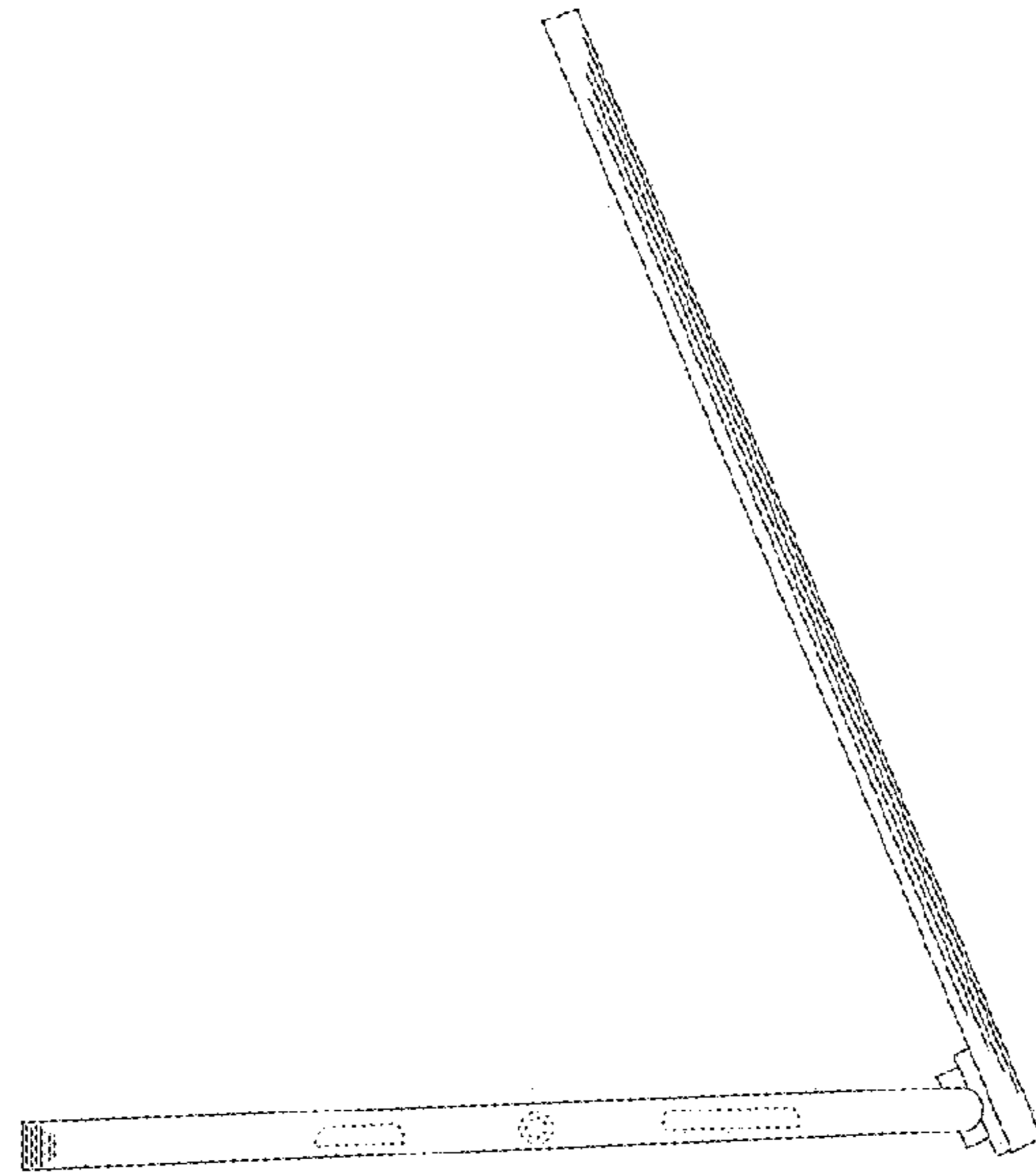


FIG. 10

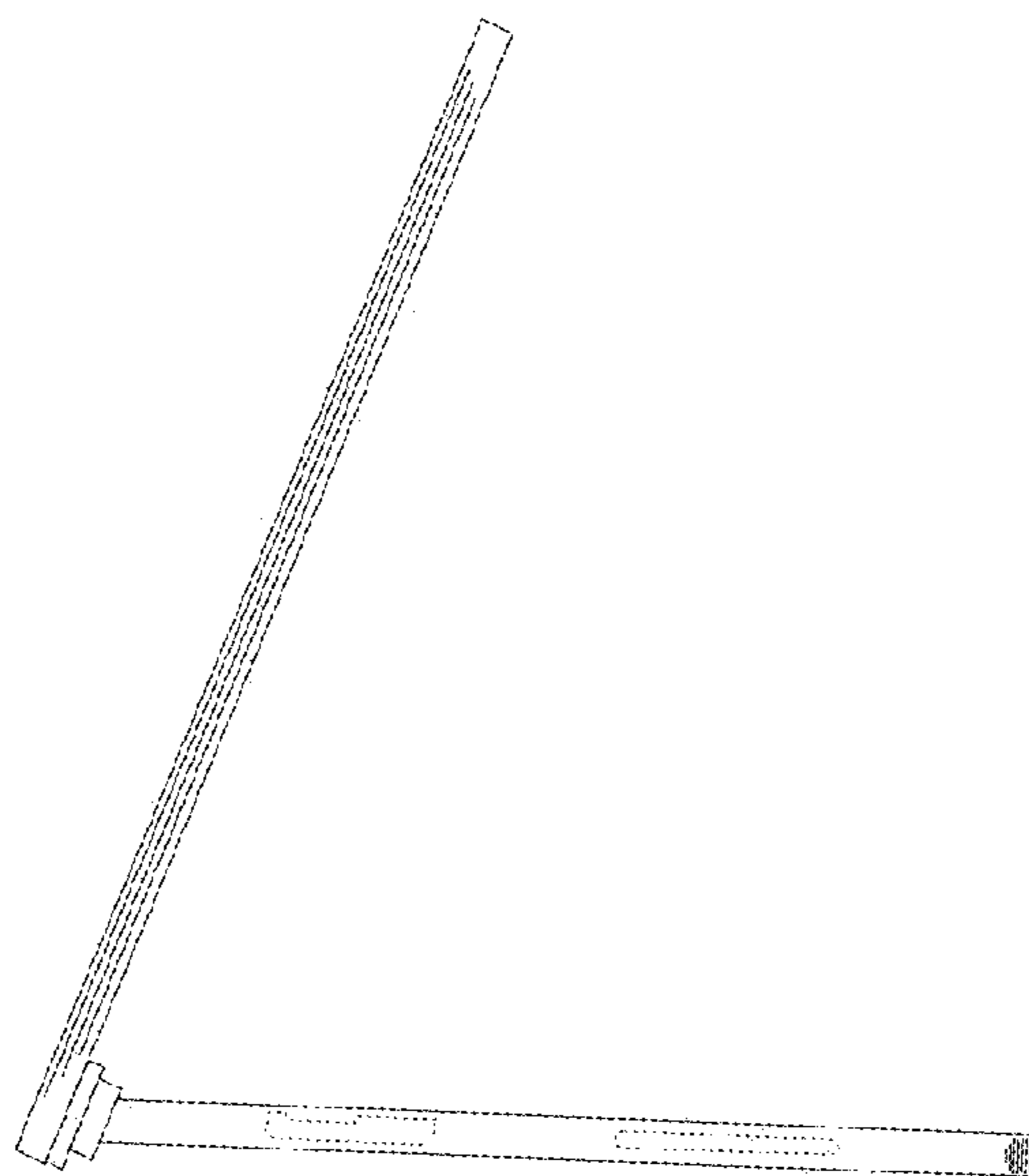


FIG. 11

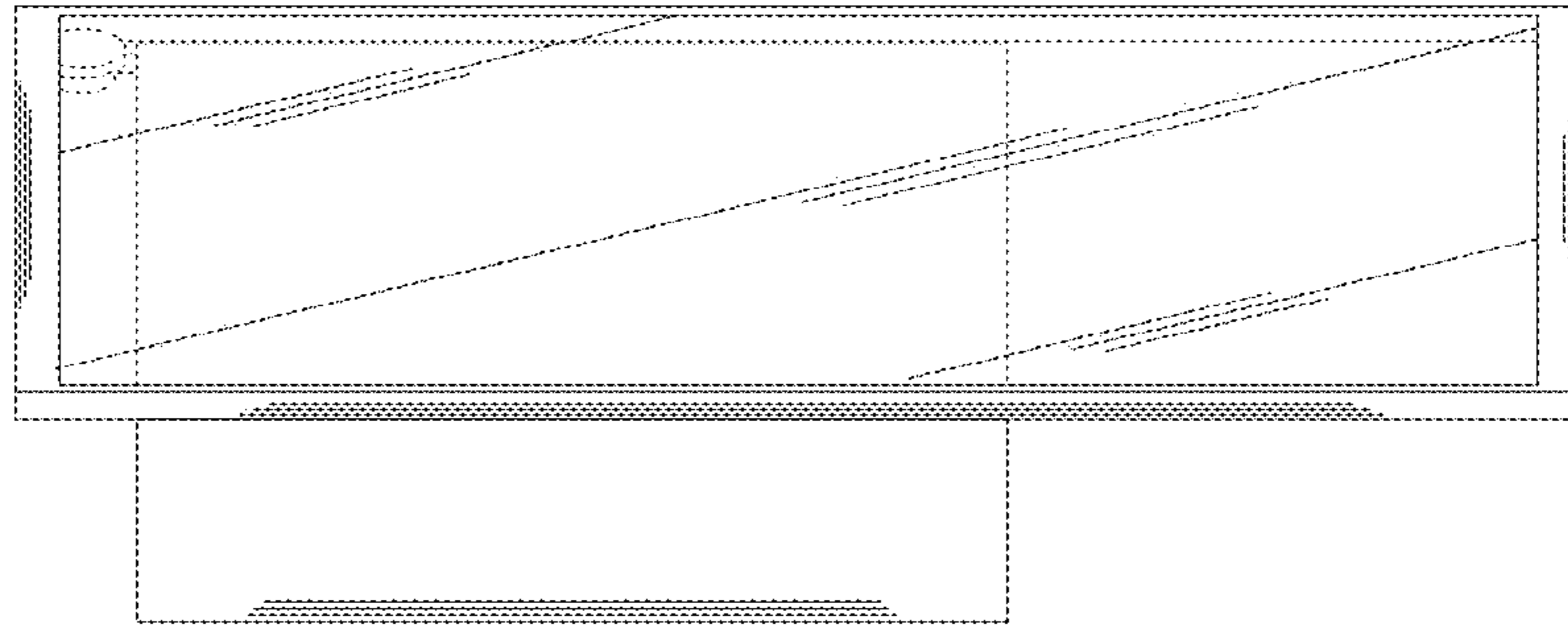


FIG. 12

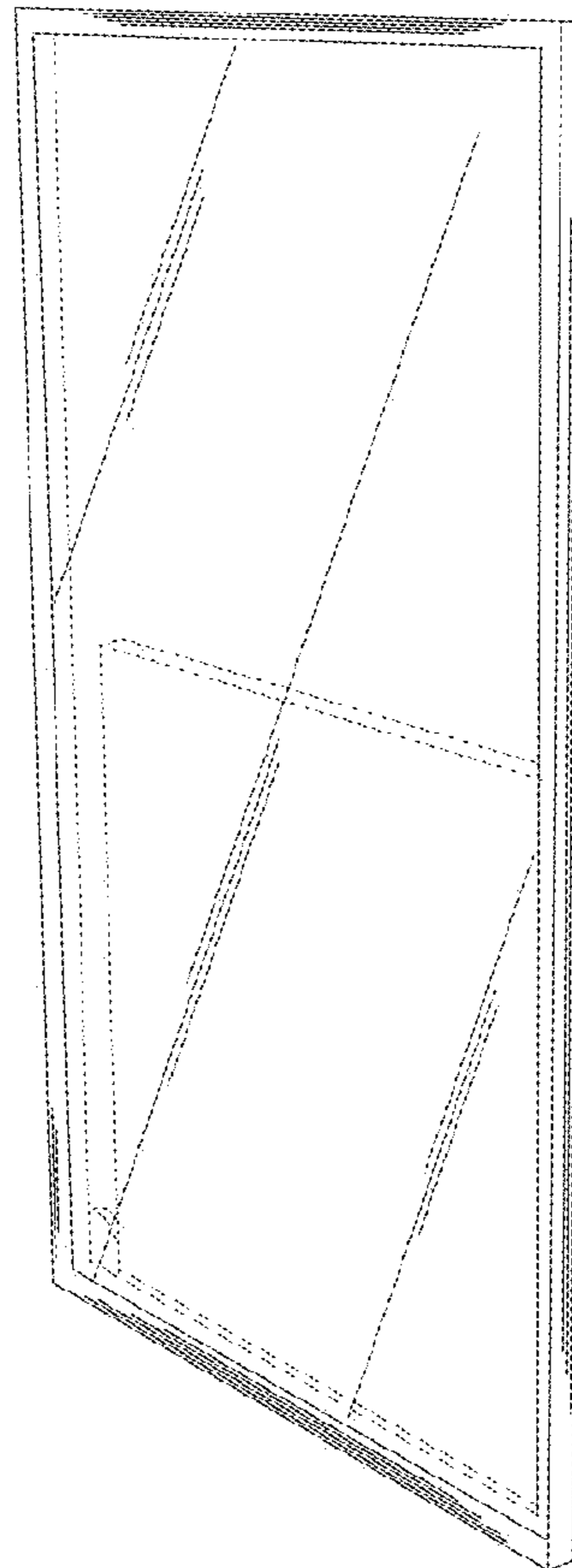


FIG. 13



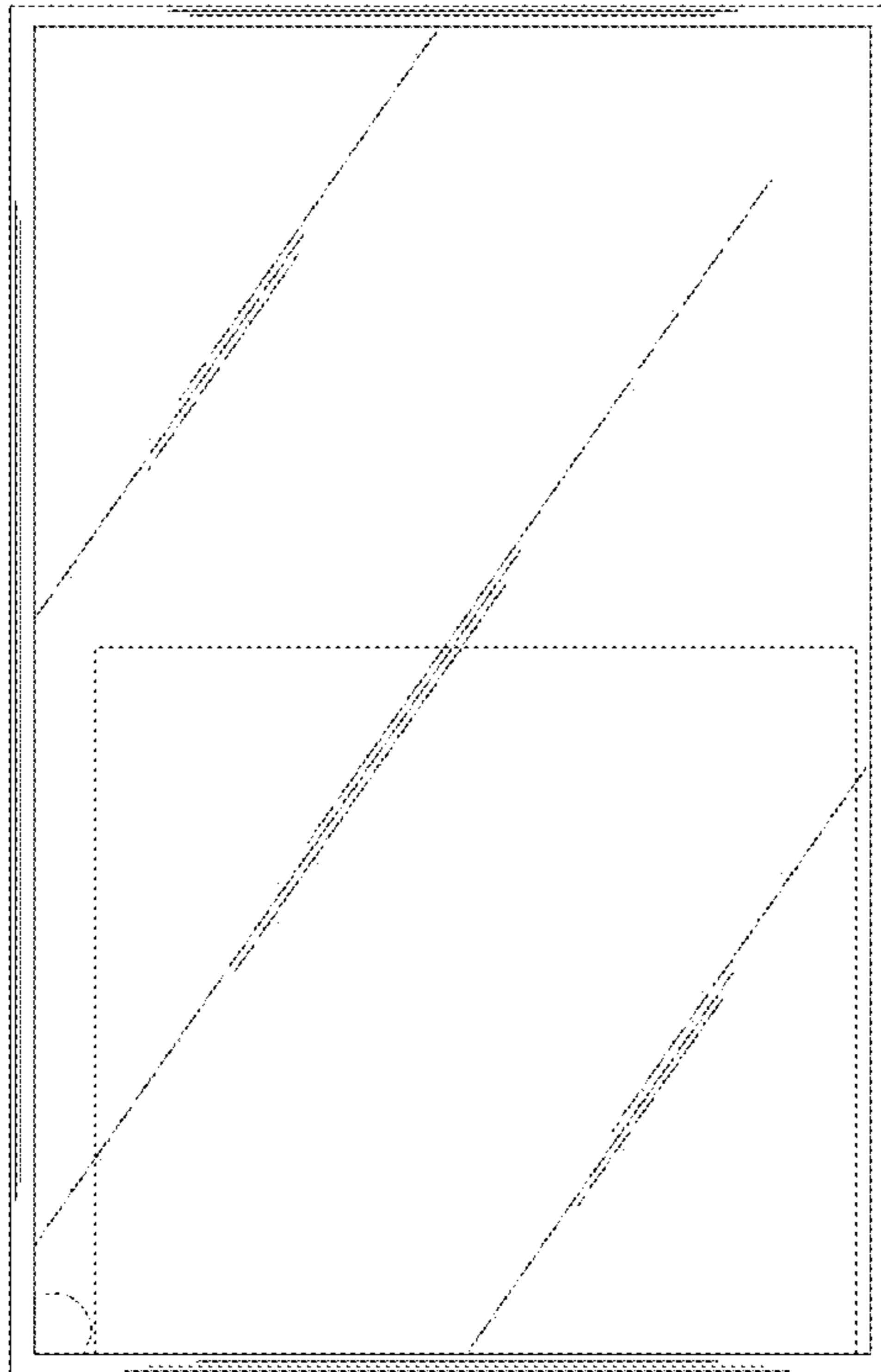


FIG. 14

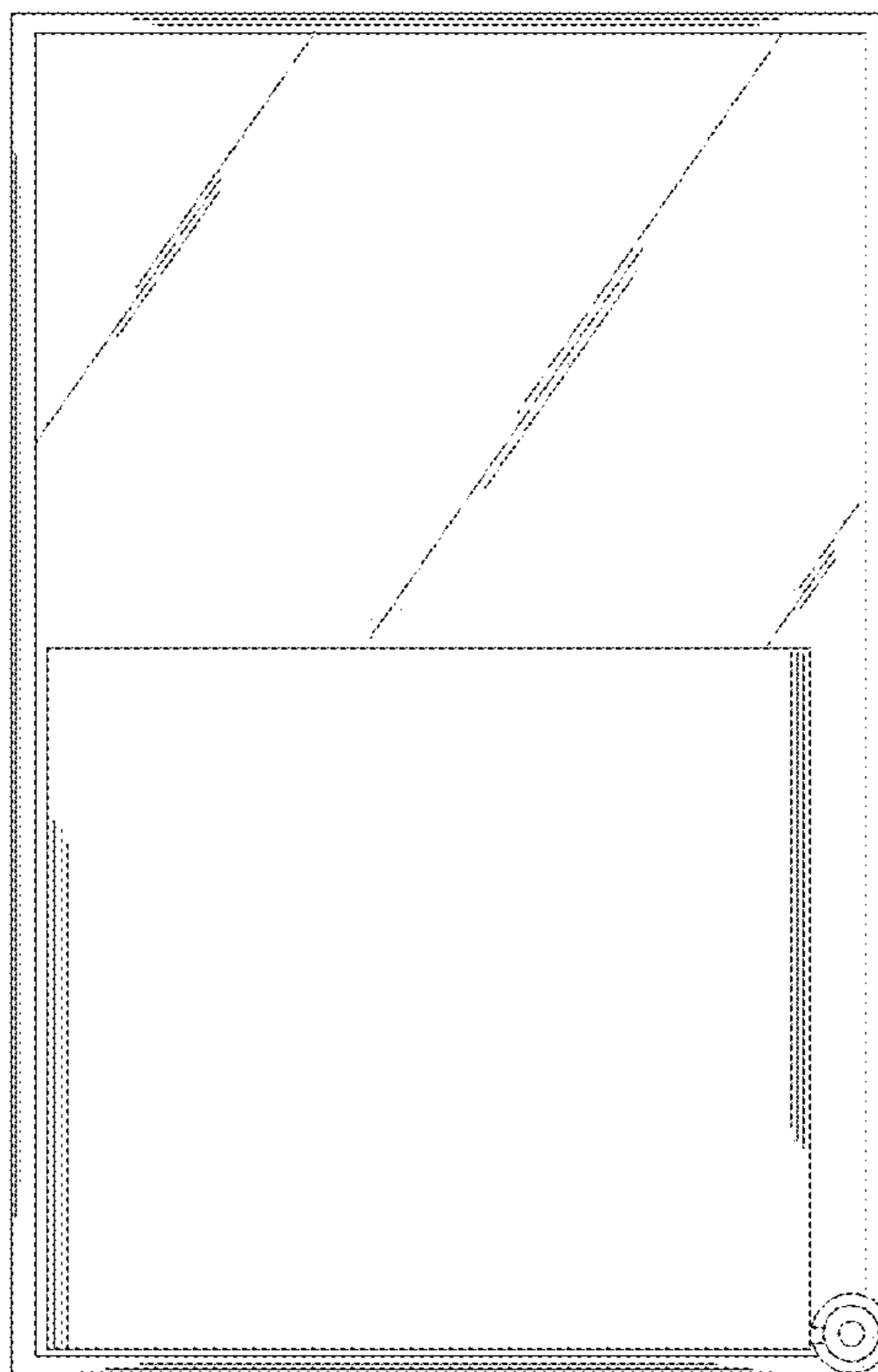


FIG. 15



FIG. 16

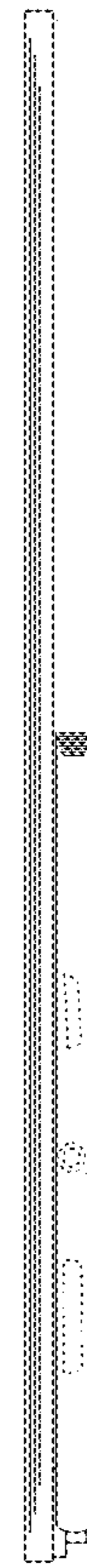


FIG. 17

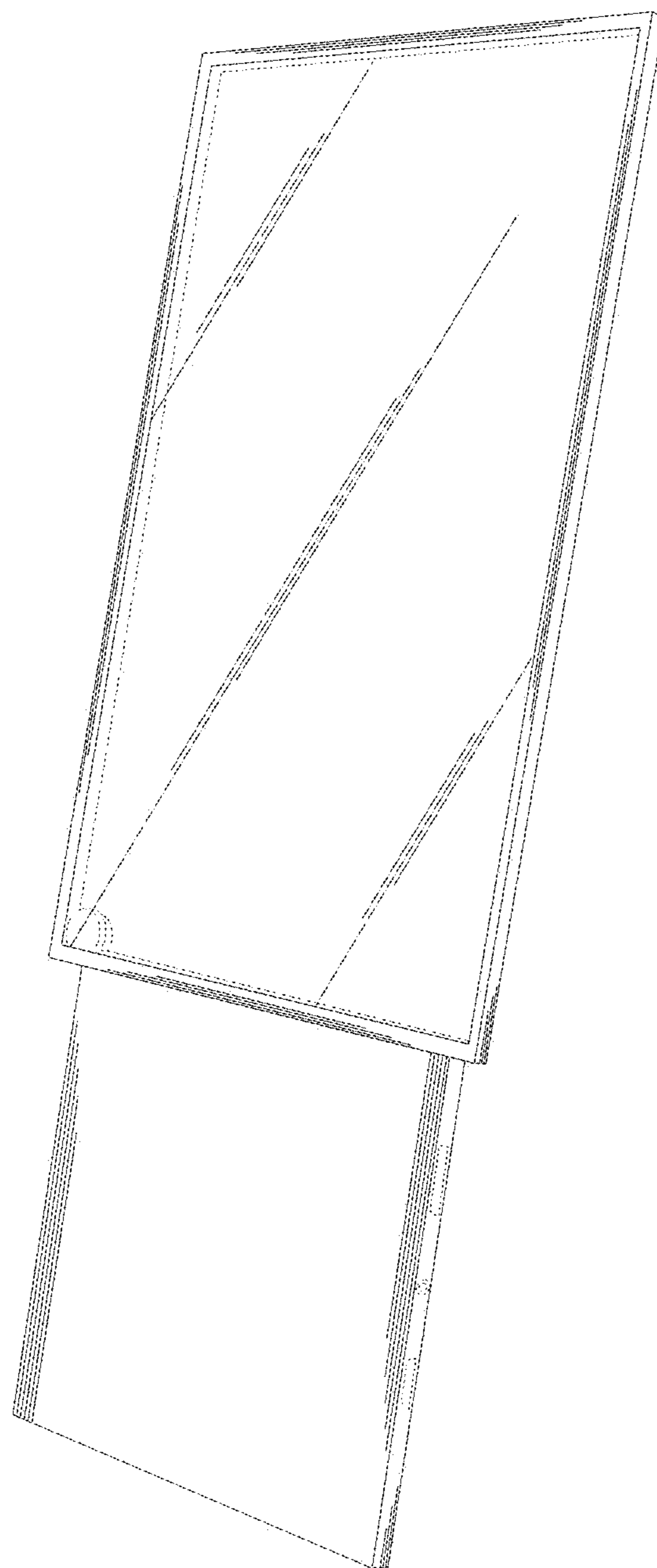


FIG. 18

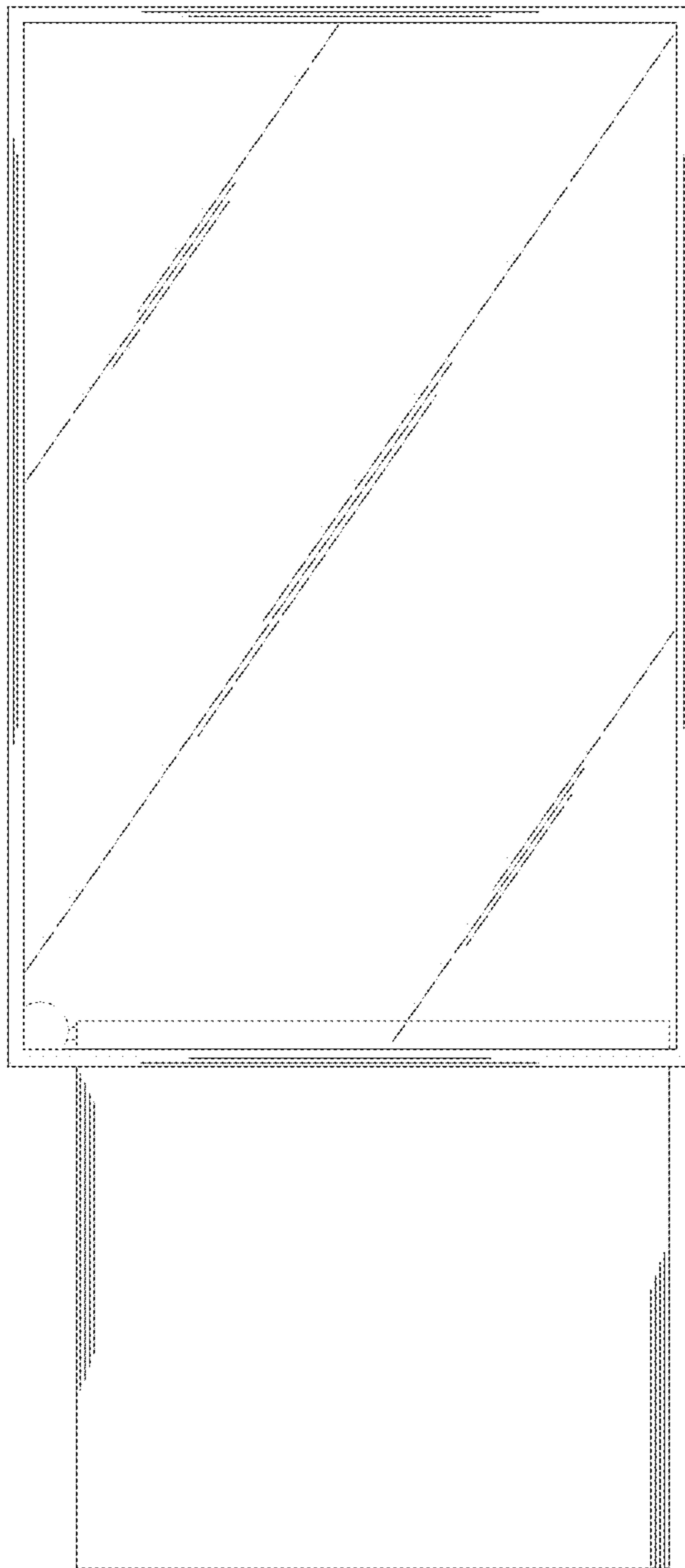


FIG. 19

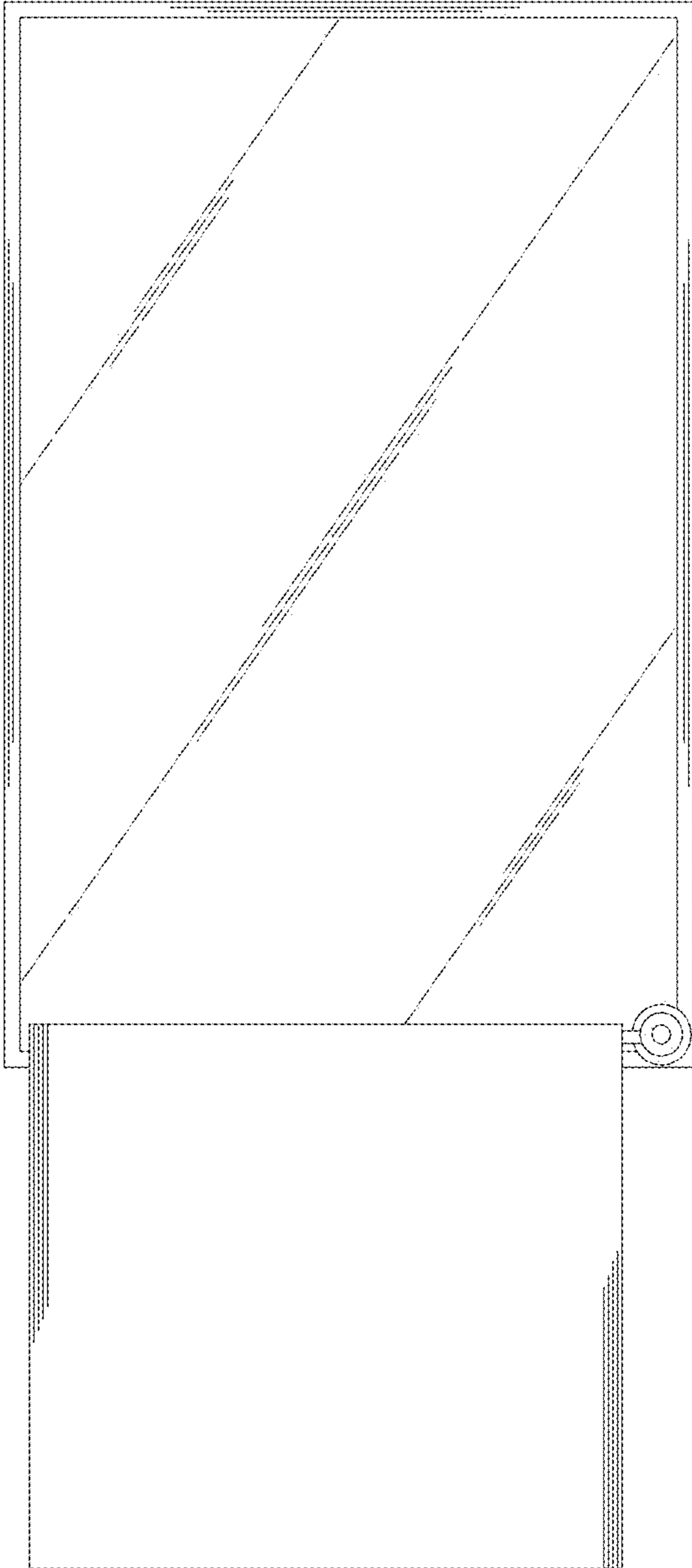


FIG. 20



FIG. 21

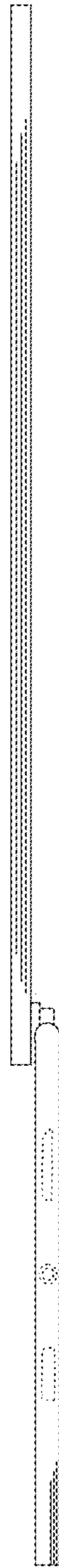


FIG. 22