



US00D712856S

(12) **United States Design Patent**  
**Thompson et al.**

(10) **Patent No.:** **US D712,856 S**  
(45) **Date of Patent:** **\*\* Sep. 9, 2014**

(54) **TELEVISION FRAME**

(71) Applicant: **Funai Corporation, Inc.**, Rutherford, NJ (US)

(72) Inventors: **Randy Thompson**, Rutherford, NJ (US);  
**Ernie Padalino**, Rutherford, NJ (US)

(73) Assignee: **Funai Corporation**, Rutherford, NJ (US)

(\*\*) Term: **14 Years**

(21) Appl. No.: **29/487,426**

(22) Filed: **Apr. 8, 2014**

(51) **LOC (10) Cl.** ..... **14-03**

(52) **U.S. Cl.**  
USPC ..... **D14/126; D14/239**

(58) **Field of Classification Search**  
CPC ..... H04N 5/64; H04N 9/3141; H04N 5/655;  
H04N 5/545  
USPC ..... D14/125-134, 239, 371, 136, 374-377,  
D14/440, 450, 448, 336, 342, 159; 312/7.2;  
348/836, 838, 180, 184, 325, 739;  
248/917-924, 465; 345/104, 133, 156,  
345/168, 87, 173; D21/329, 515, 577, 622,  
D21/333, 433, 448, 452, 450, 331, 505;  
D10/15, 26; 446/484, 175, 356;  
D6/477, 479, 300

See application file for complete search history.

(56) **References Cited**

**U.S. PATENT DOCUMENTS**

3,294,905 A \* 12/1966 Jonassen ..... 348/841  
D381,642 S \* 7/1997 Kiger et al. .... D14/450  
D456,049 S \* 4/2002 Hood ..... D21/515

D531,967 S \* 11/2006 Chia ..... D14/126  
D538,813 S \* 3/2007 Florindo ..... D14/450  
D599,565 S \* 9/2009 Tang et al. .... D6/308  
D606,762 S \* 12/2009 Tang et al. .... D6/308  
D647,909 S \* 11/2011 Chou et al. .... D14/450  
D651,812 S \* 1/2012 Lee et al. .... D6/300  
D689,482 S \* 9/2013 Akana et al. .... D14/341  
2004/0227048 A1 \* 11/2004 Lom et al. .... 248/442.2  
2008/0180002 A1 \* 7/2008 Kameoka ..... 312/7.2  
2009/0072678 A1 \* 3/2009 Yokawa ..... 312/7.2  
2009/0189493 A1 \* 7/2009 Aikawa ..... 312/7.2  
2009/0261694 A1 \* 10/2009 Yamanaka ..... 312/7.2

\* cited by examiner

*Primary Examiner* — Raphael Barkai

(74) *Attorney, Agent, or Firm* — Morgan, Lewis & Bockius LLP

(57) **CLAIM**

The ornamental design for a television frame, as shown and described.

**DESCRIPTION**

FIG. 1 is a left perspective view of a television frame showing our new design.

FIG. 2 is bottom front perspective view thereof.

FIG. 3 is a rear right perspective view thereof.

FIG. 4 is a front view thereof.

FIG. 5 is a rear view thereof.

FIG. 6 is a top view thereof.

FIG. 7 is a left view thereof.

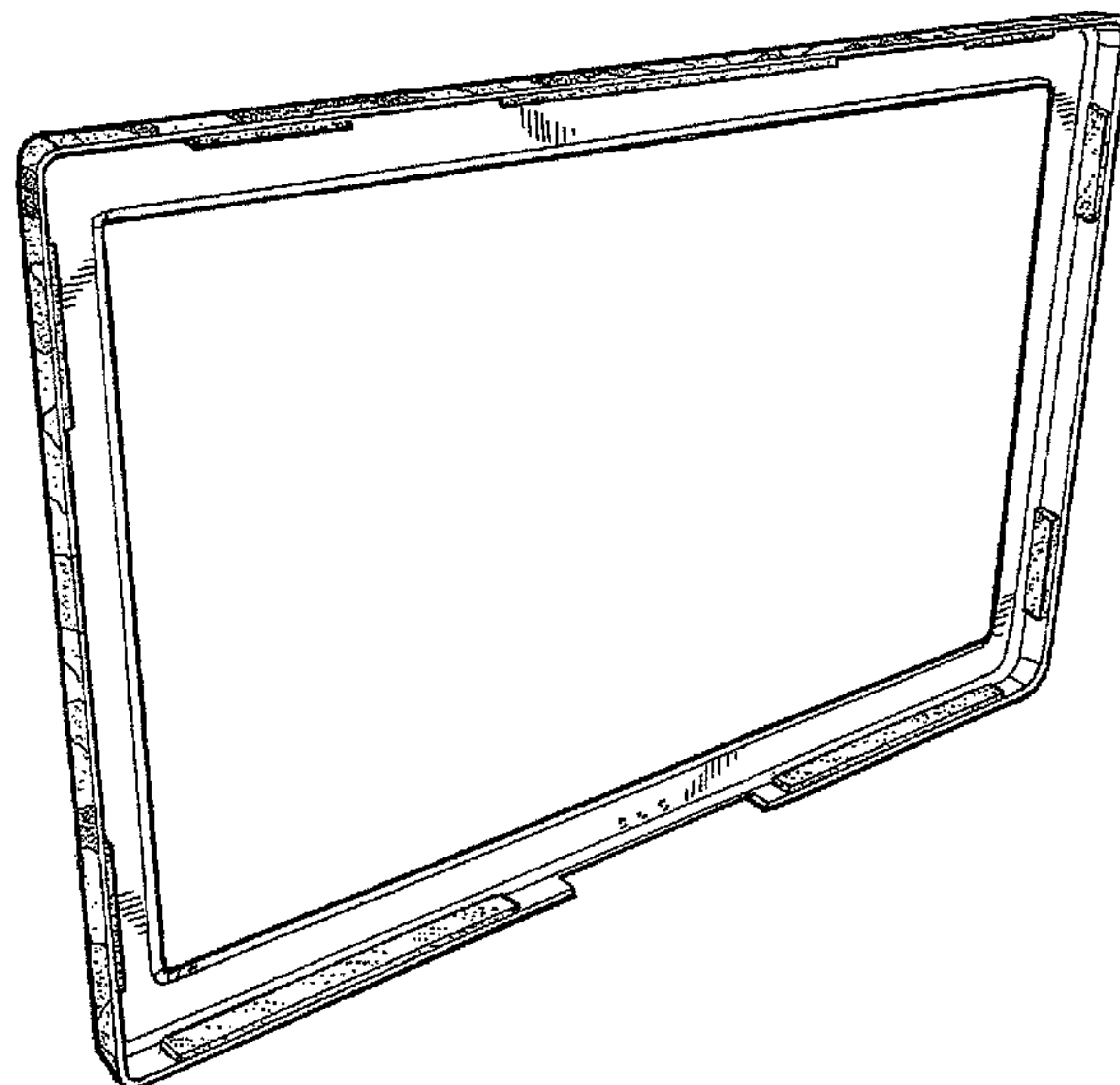
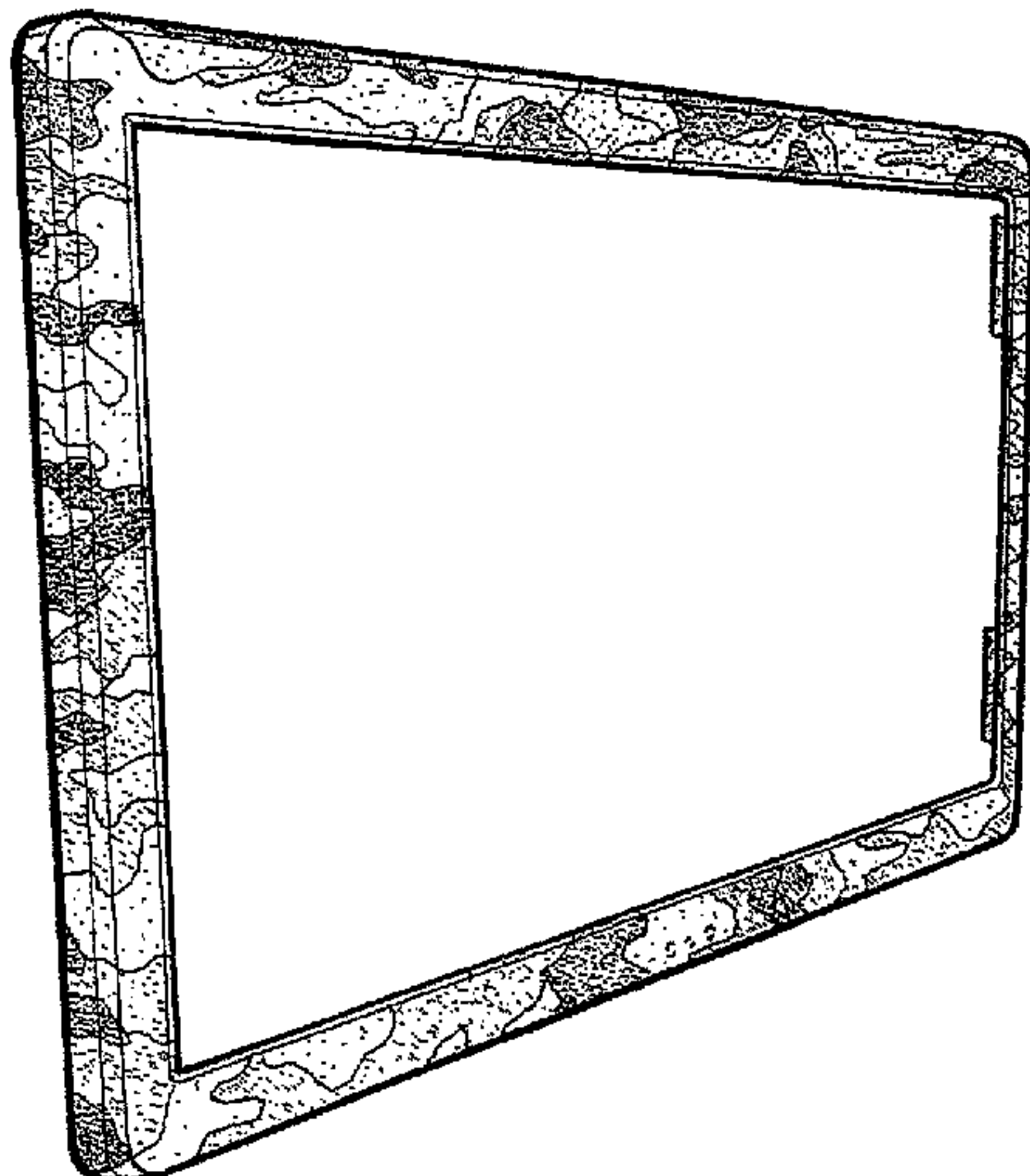
FIG. 8 is a bottom view thereof.

FIG. 9 is a right view thereof; and,

FIG. 10 is a left perspective view of the television frame as mounted on a television.

The broken lines show unclaimed subject matter only and form no part of the claimed design.

**1 Claim, 8 Drawing Sheets**



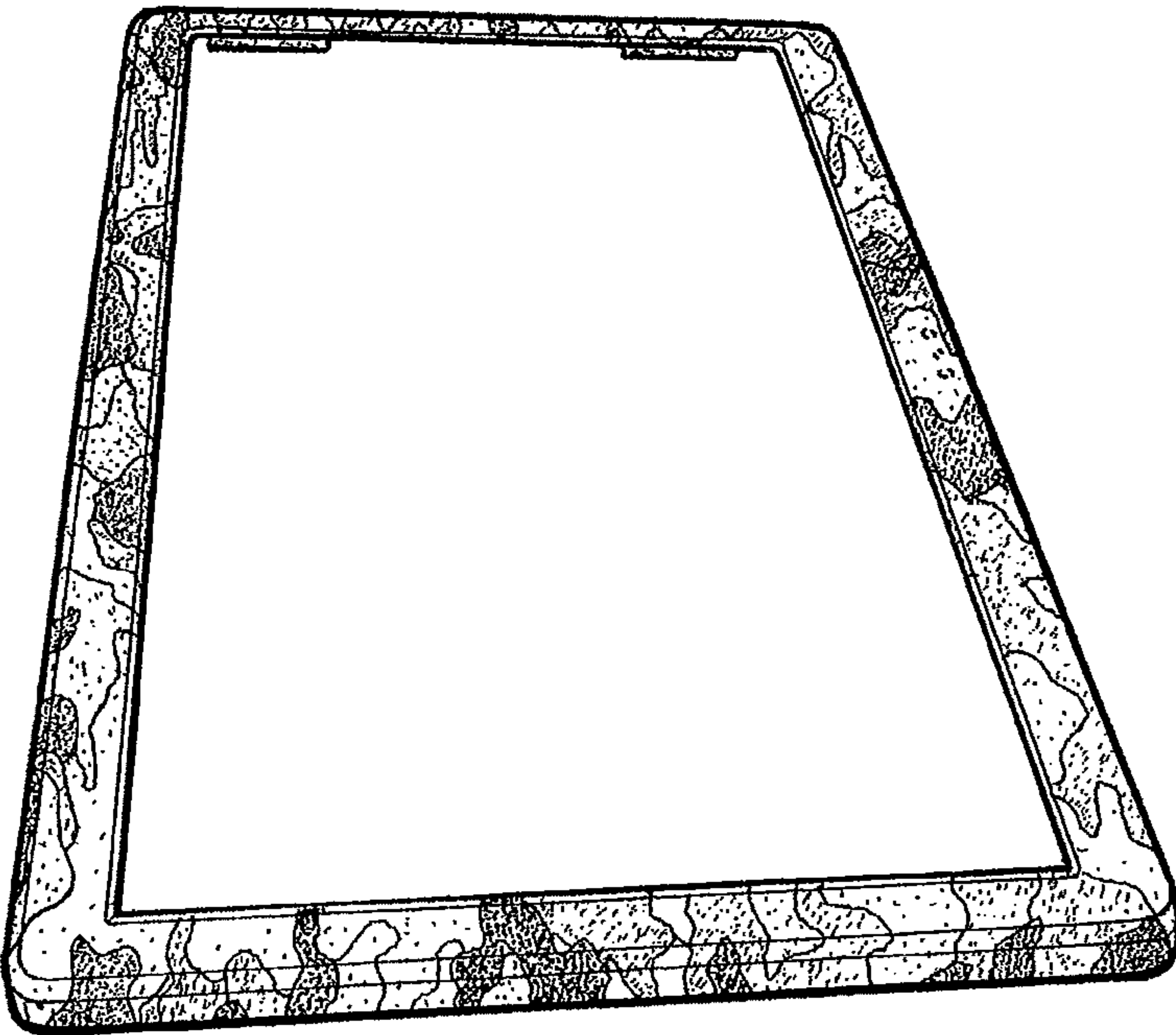


FIG. 1

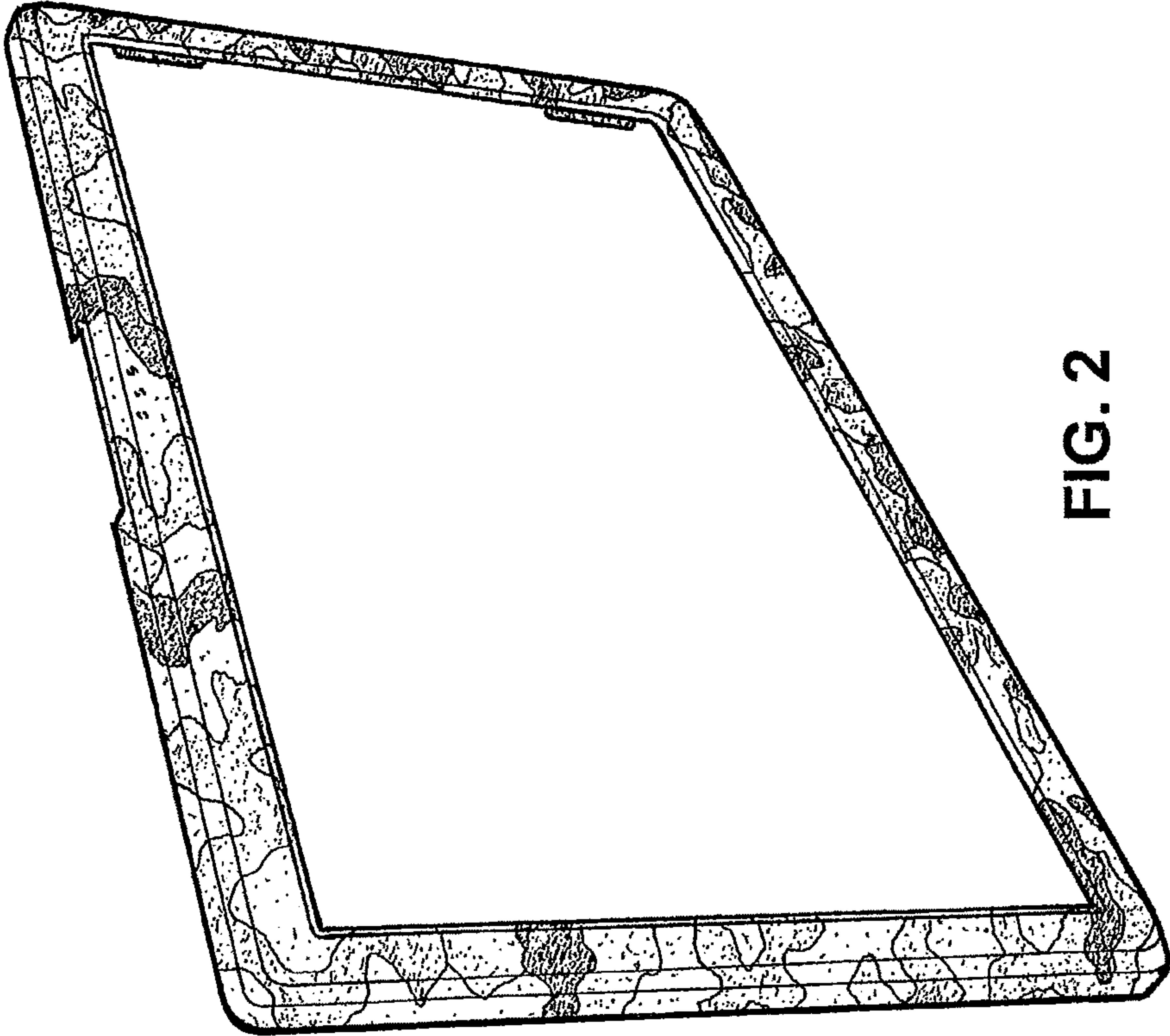


FIG. 2

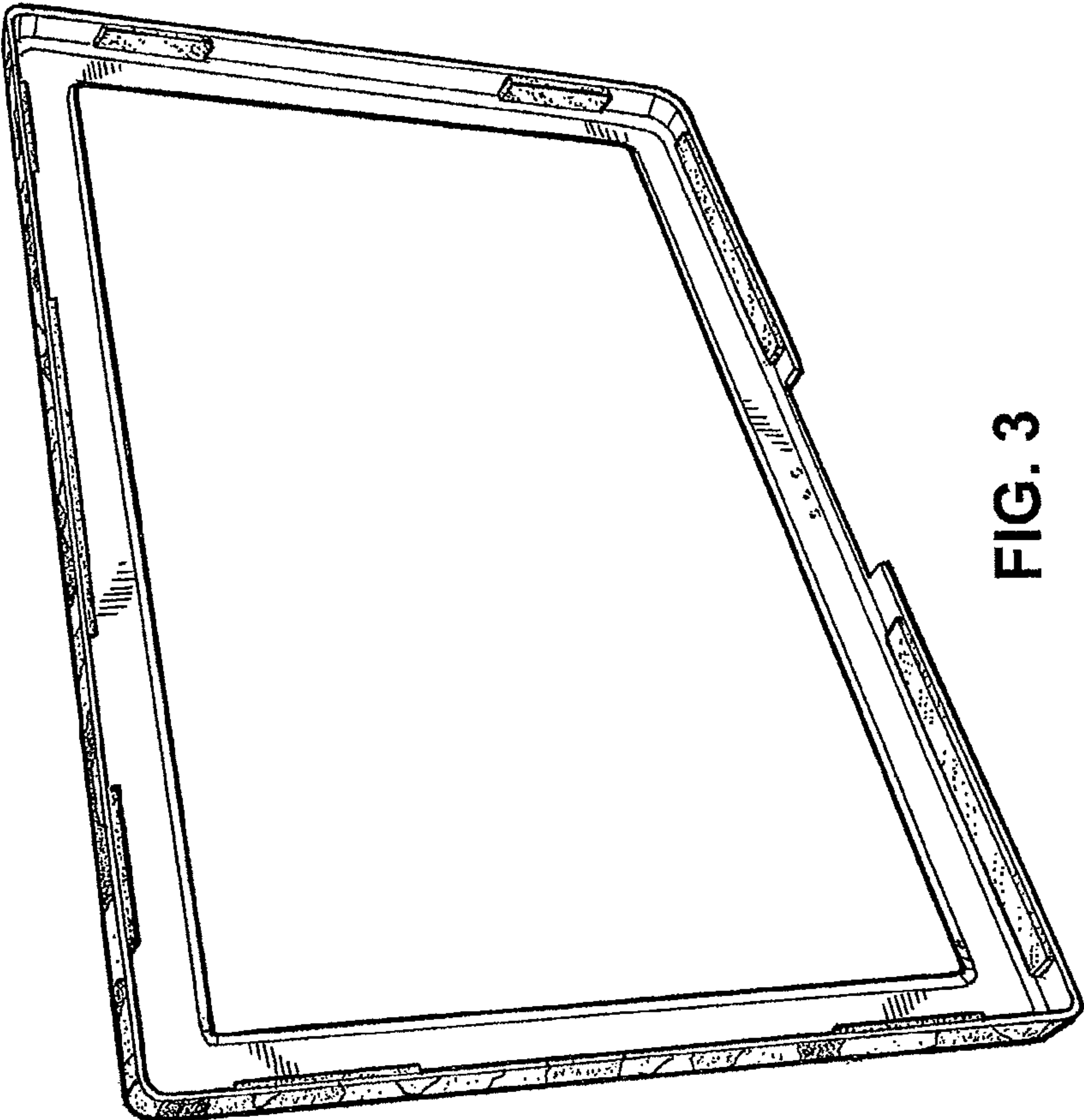


FIG. 3



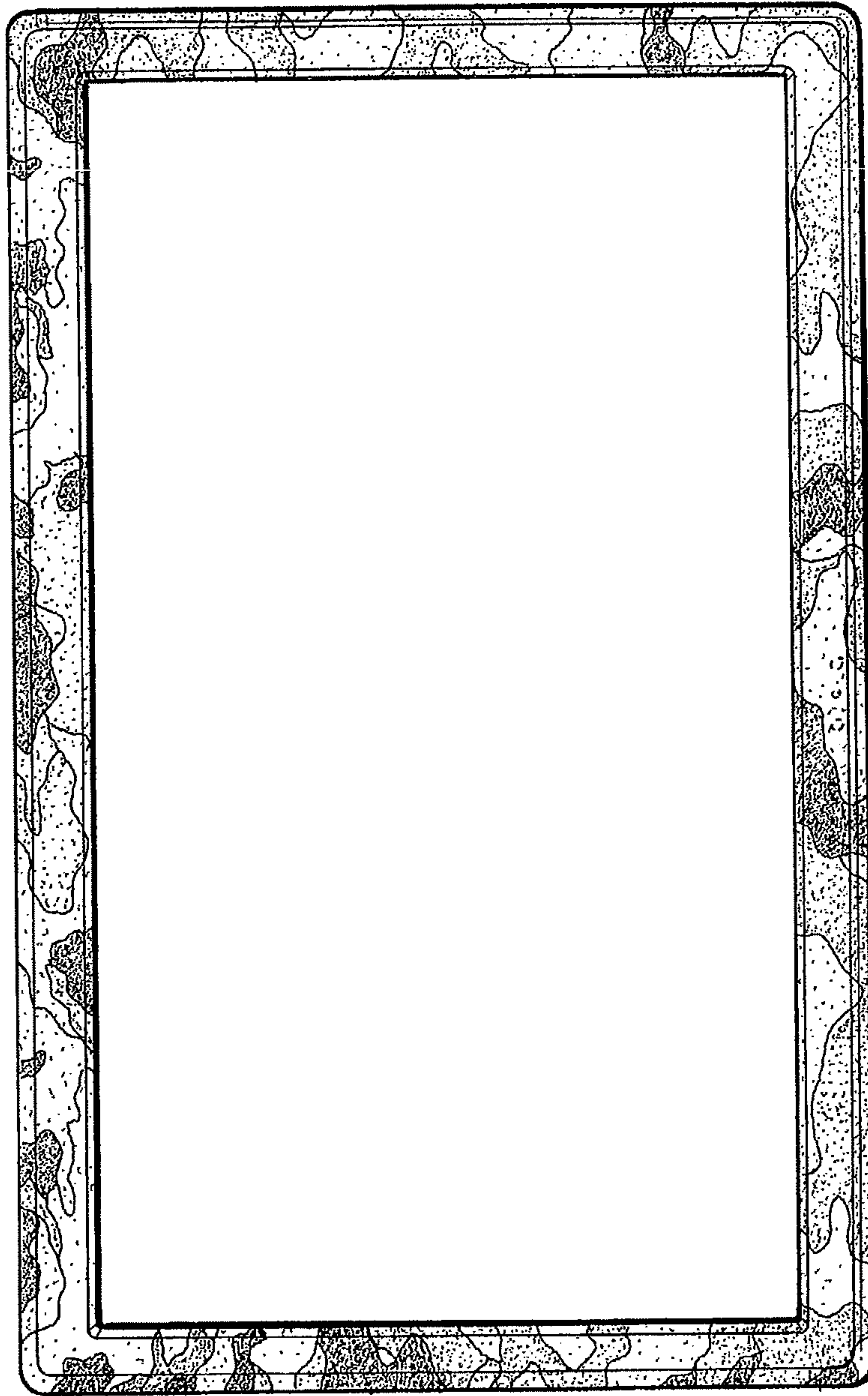


FIG. 4

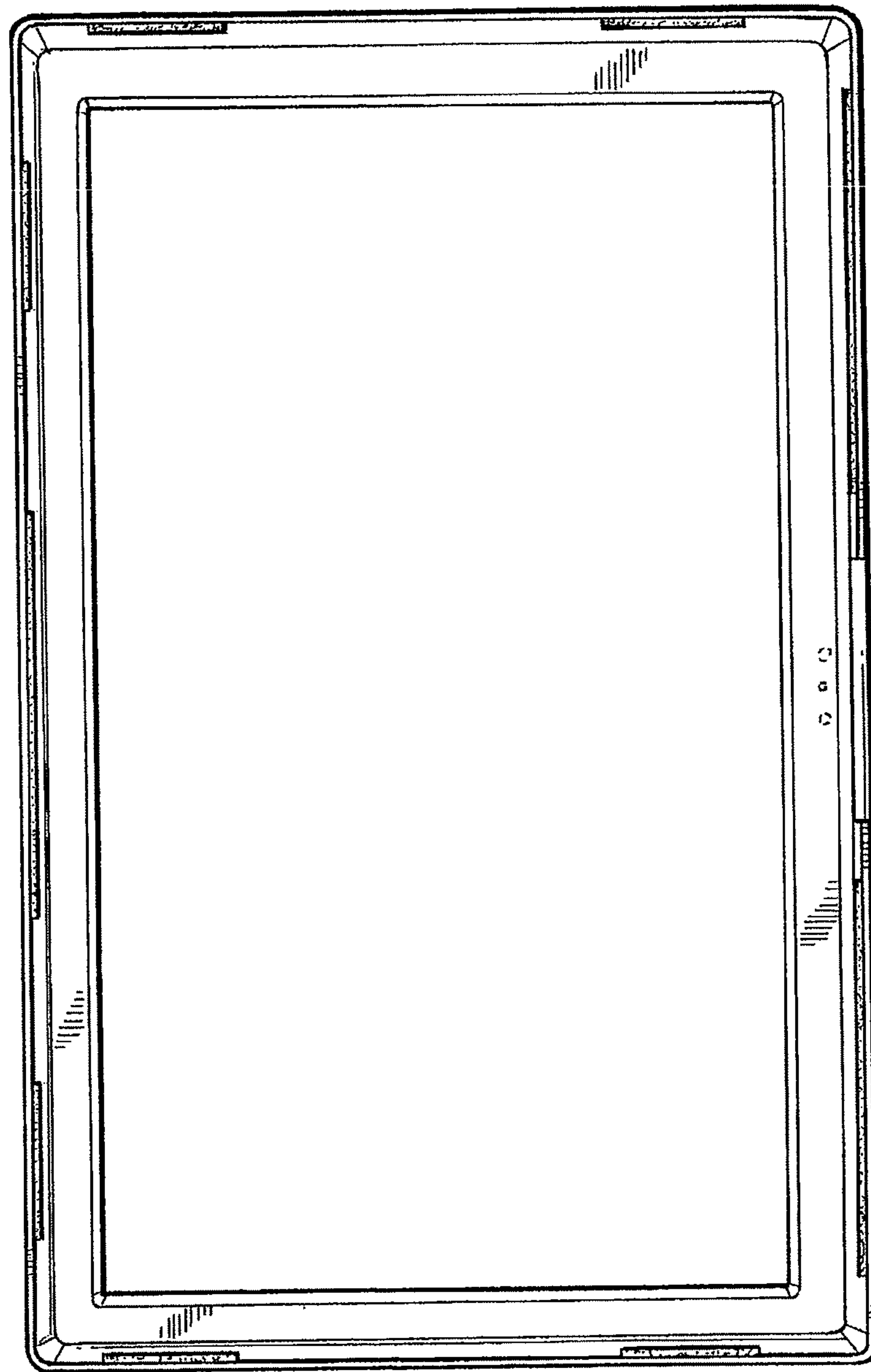


FIG. 5



FIG. 6



FIG. 7



FIG. 8



FIG. 9



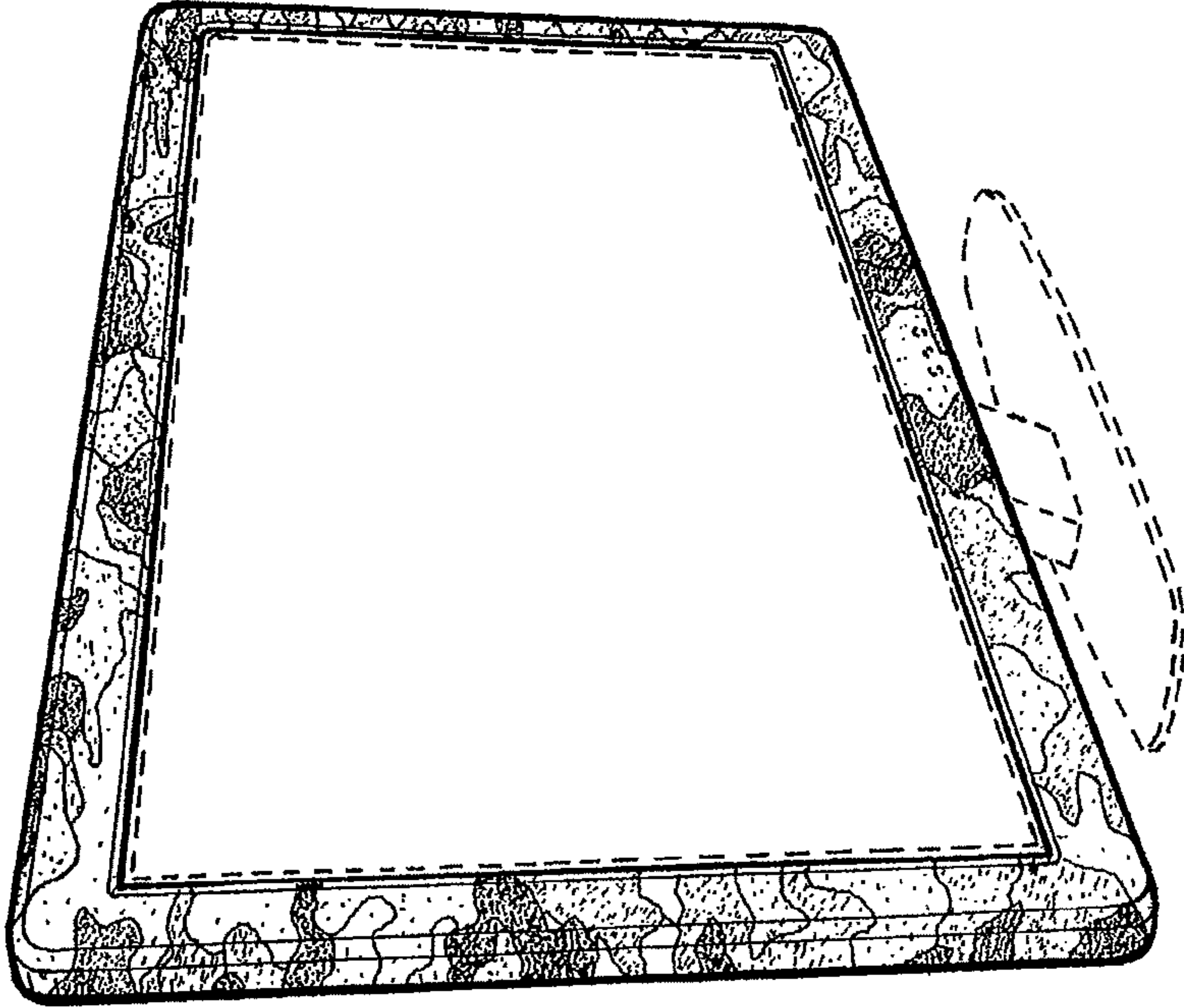


FIG. 10