



US00D712855S

(12) **United States Design Patent**
Thompson et al.

(10) **Patent No.:** **US D712,855 S**
(45) **Date of Patent:** **** Sep. 9, 2014**

(54) **TELEVISION FRAME**

(71) Applicant: **Funia Corporation, Inc.**, Rutherford, NJ (US)

(72) Inventors: **Randy Thompson**, Rutherford, NJ (US);
Ernie Padalino, Rutherford, NJ (US)

(73) Assignee: **Funai Corporation**, Rutherford, NJ (US)

(**) Term: **14 Years**

(21) Appl. No.: **29/487,424**

(22) Filed: **Apr. 8, 2014**

(51) **LOC (10) Cl.** **14-03**

(52) **U.S. Cl.**
USPC **D14/126; D14/239**

(58) **Field of Classification Search**
CPC H04N 5/64; H04N 9/3141; H04N 5/655;
H04N 5/645
USPC D14/125-134, 239, 371, 136, 374-377,
D14/440, 450, 448, 336, 342, 159; 312/7.2;
348/836, 838, 180, 184, 325, 739;
248/917-924, 465; 345/104, 133, 156,
345/168, 87, 173; D21/329, 515, 577, 622,
D21/333, 433, 448, 452, 450, 331, 505;
D10/15, 26; 446/484, 175, 356;
D6/477, 479, 300

See application file for complete search history.

(56) **References Cited**

U.S. PATENT DOCUMENTS

3,294,905 A * 12/1966 Jonassen 348/841
D381,642 S * 7/1997 Kiger et al. D14/450
D456,049 S * 4/2002 Hood D21/515

D531,967 S * 11/2006 Chia D14/126
D538,813 S * 3/2007 Florindo D14/450
D599,565 S * 9/2009 Tang et al. D6/308
D606,762 S * 12/2009 Tang et al. D6/308
D647,909 S * 11/2011 Chou et al. D14/450
D651,812 S * 1/2012 Lee et al. D6/300
D689,482 S * 9/2013 Akana et al. D14/341
2004/0227048 A1 * 11/2004 Lom et al. 248/442.2
2008/0180002 A1 * 7/2008 Kameoka 312/7.2
2009/0072678 A1 * 3/2009 Yokawa 312/7.2
2009/0189493 A1 * 7/2009 Aikawa 312/7.2
2009/0261694 A1 * 10/2009 Yamanaka 312/7.2

* cited by examiner

Primary Examiner — Raphael Barkai

(74) *Attorney, Agent, or Firm* — Morgan, Lewis & Bockius LLP

(57) **CLAIM**

The ornamental design for a television frame, as shown and described.

DESCRIPTION

FIG. 1 is a left perspective view of a television frame showing our new design.

FIG. 2 is bottom front perspective view thereof.

FIG. 3 is a rear right perspective view thereof.

FIG. 4 is a front view thereof.

FIG. 5 is a rear view thereof.

FIG. 6 is a top view thereof.

FIG. 7 is a left view thereof.

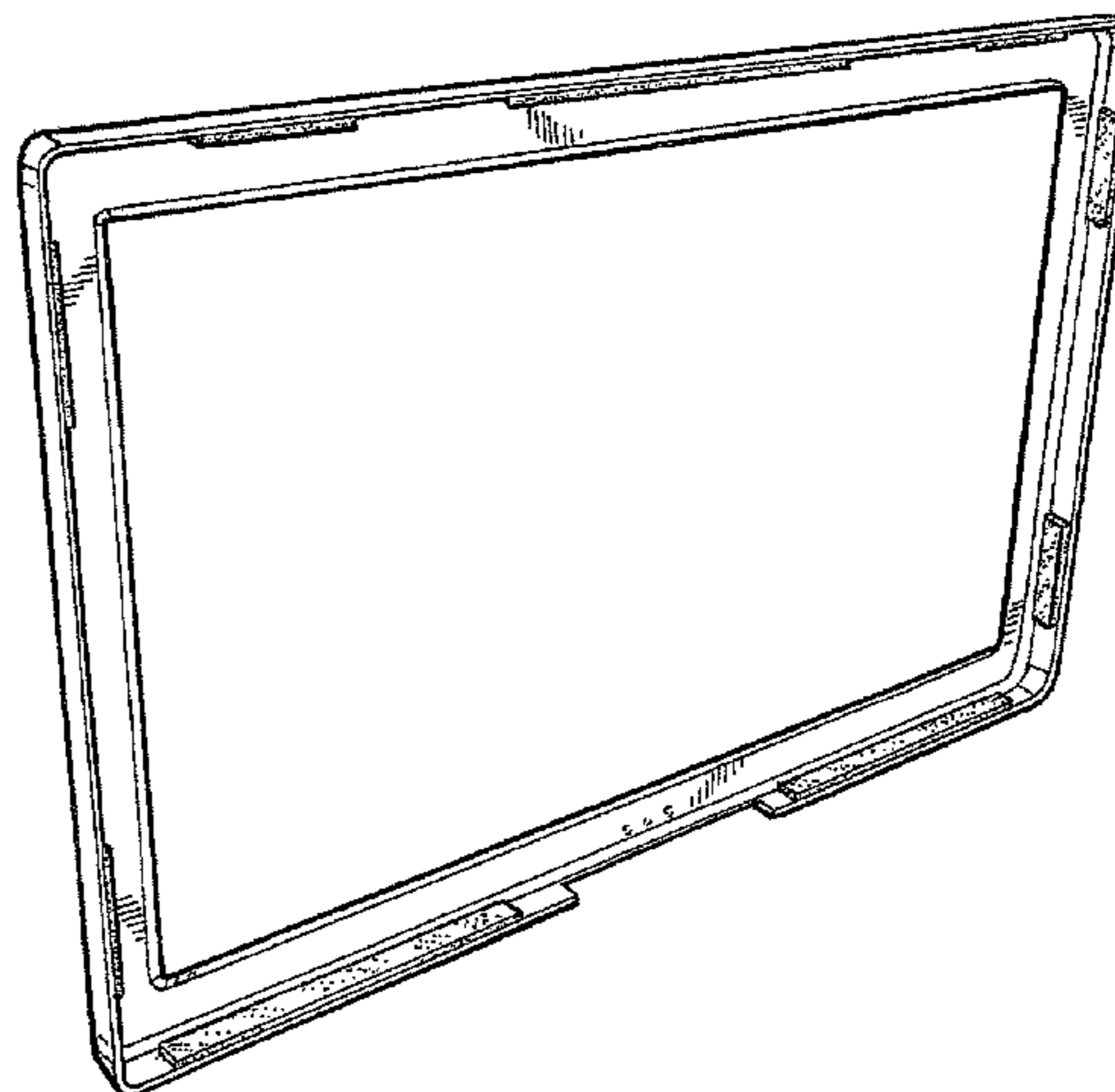
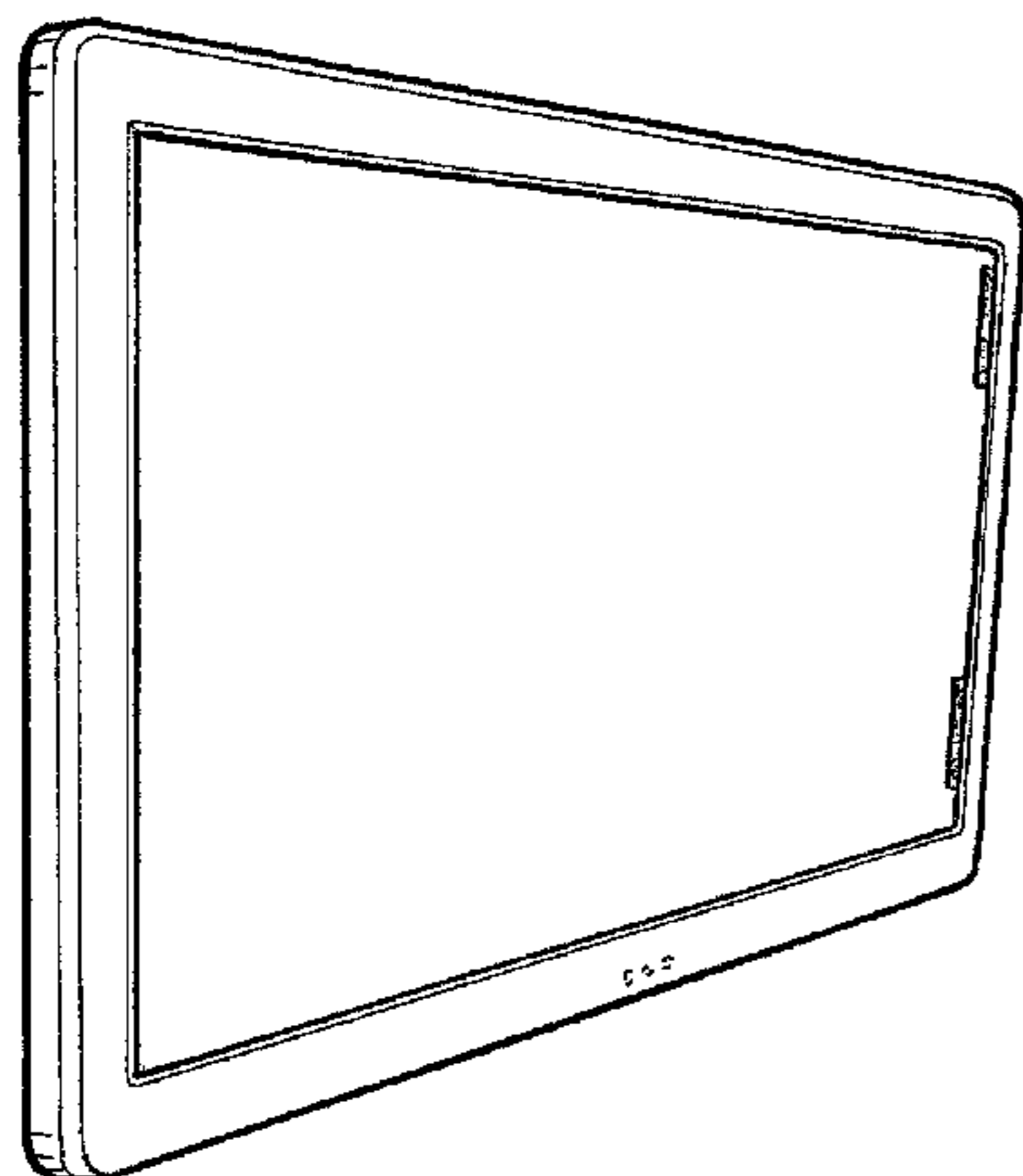
FIG. 8 is a bottom view thereof.

FIG. 9 is a right view thereof; and,

FIG. 10 is a left perspective view of the television frame as mounted on a television.

The broken lines show unclaimed subject matter only and form no part of the claimed design.

1 Claim, 8 Drawing Sheets



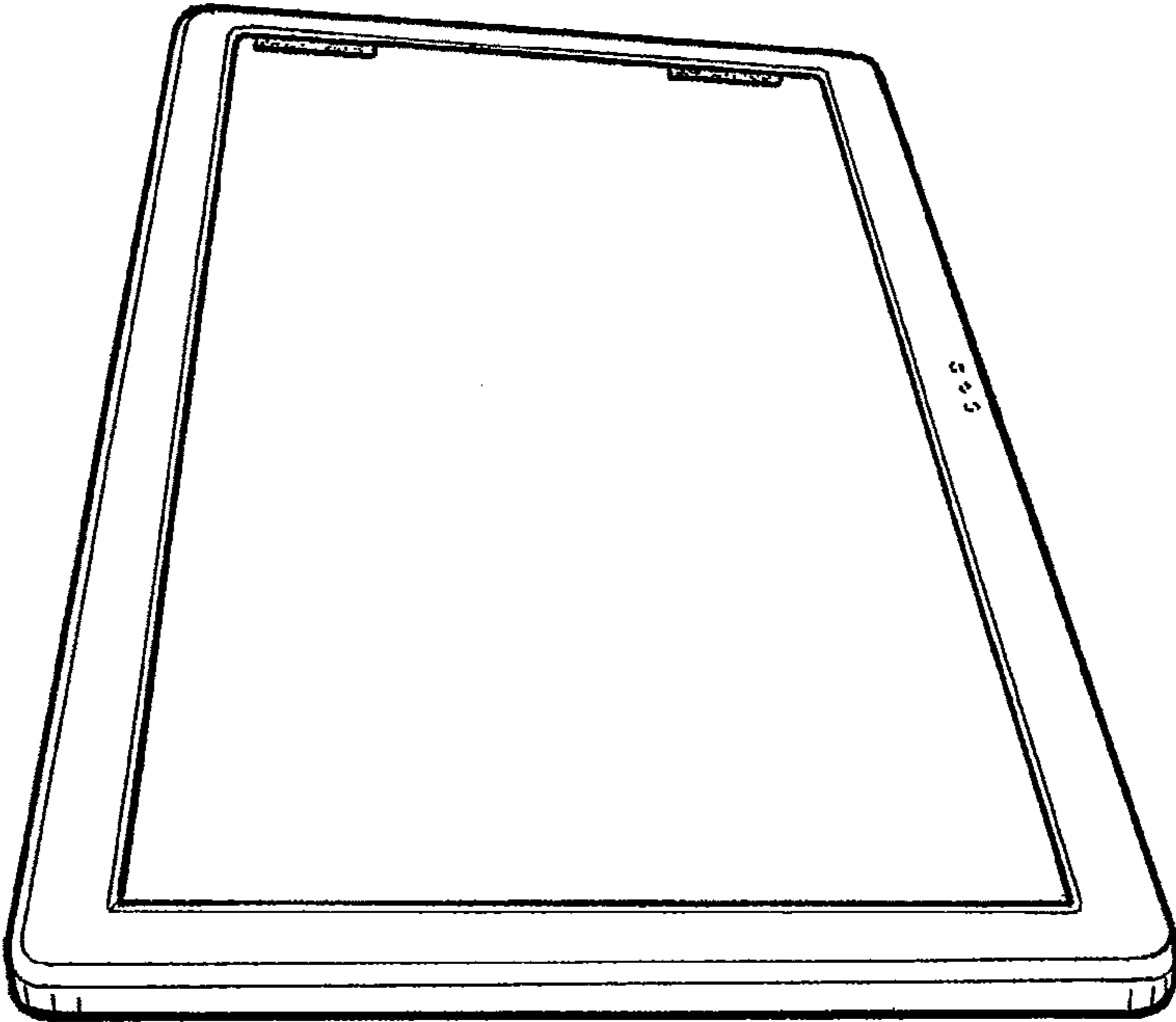


FIG. 1

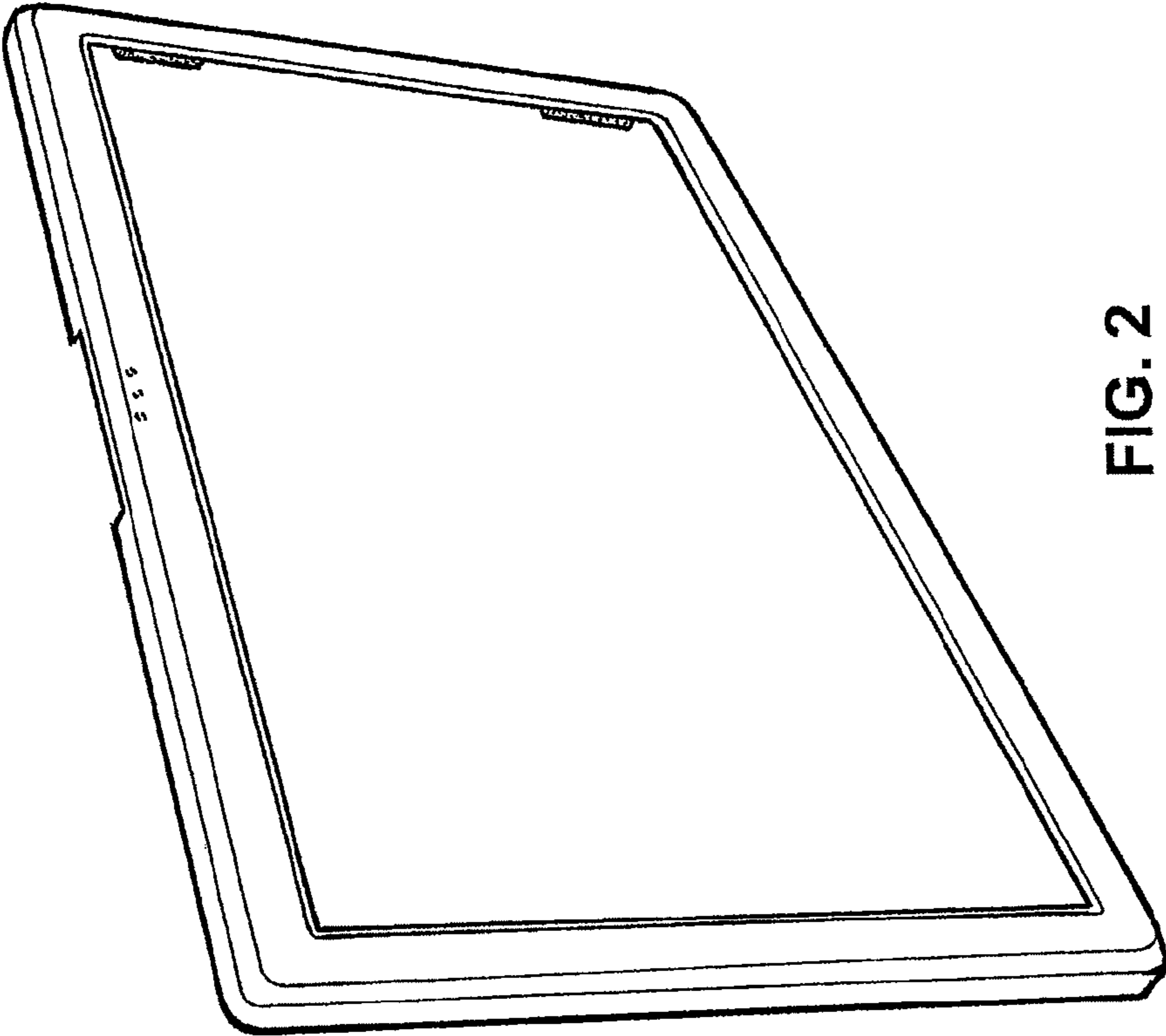


FIG. 2

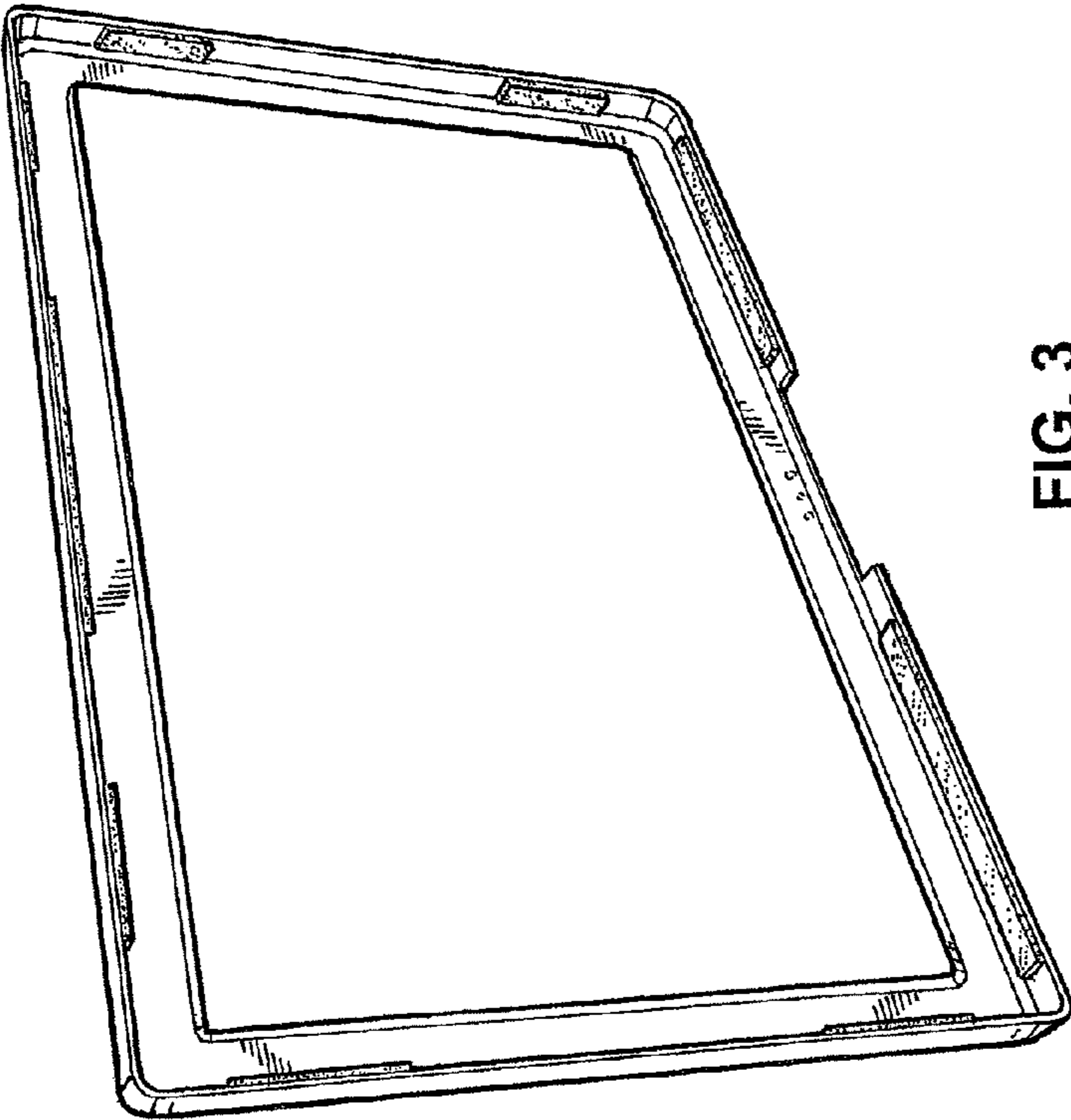


FIG. 3

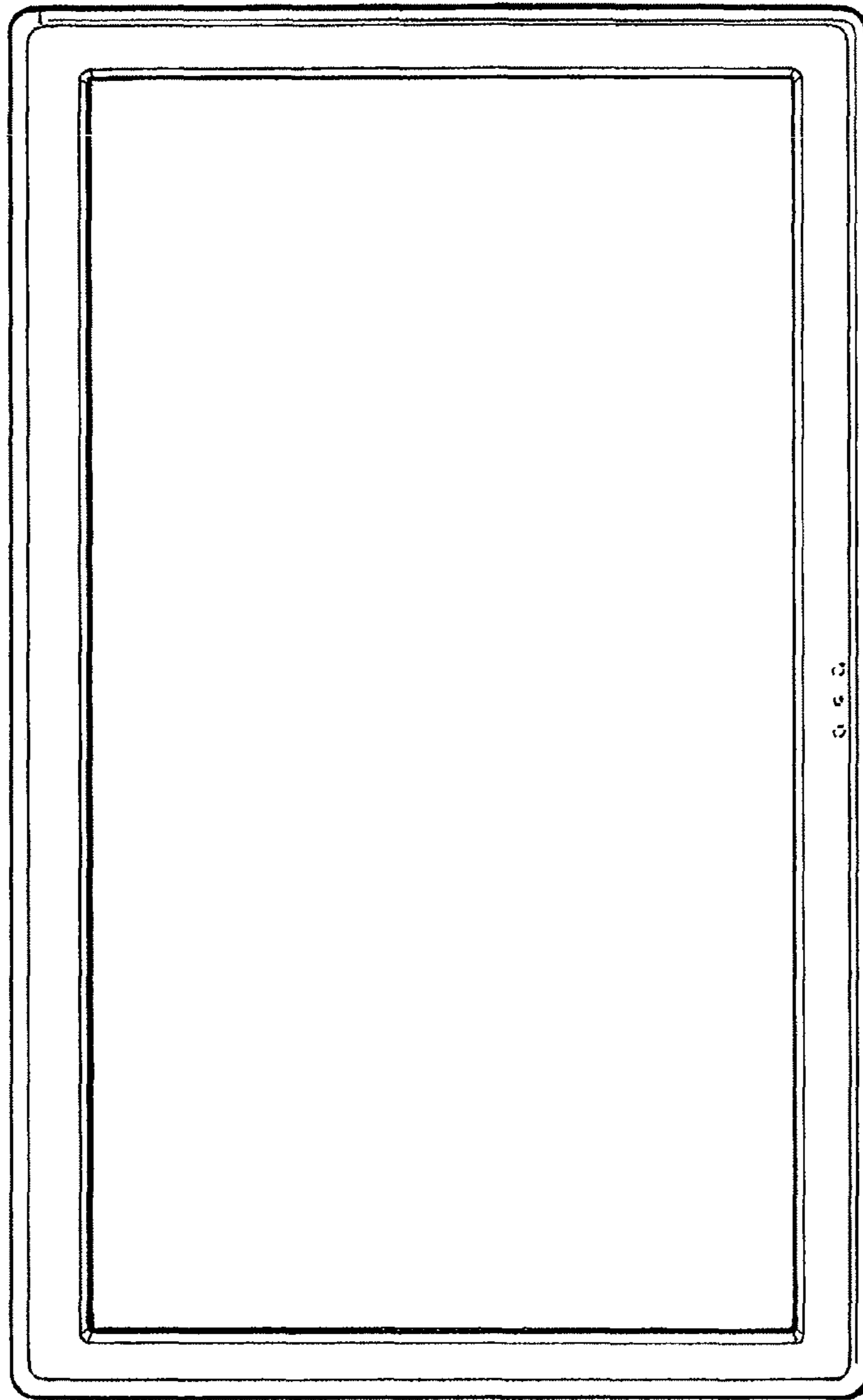


FIG. 4

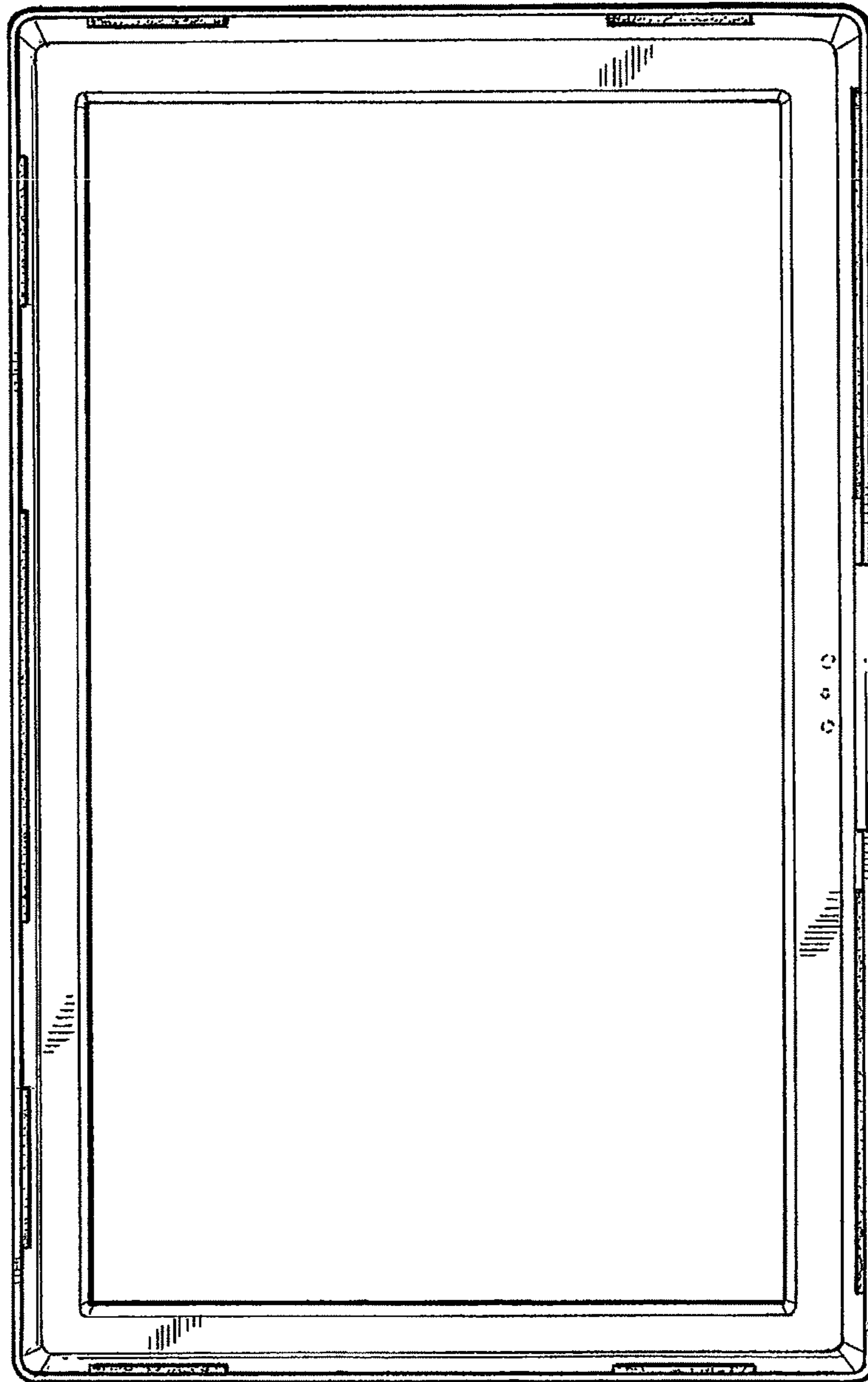


FIG. 5

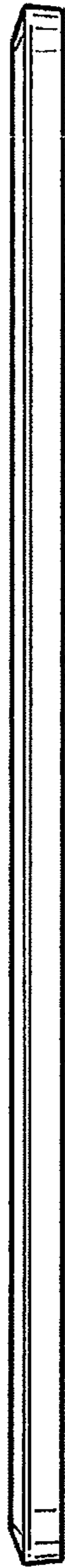


FIG. 6



FIG. 7



FIG. 8



FIG. 9

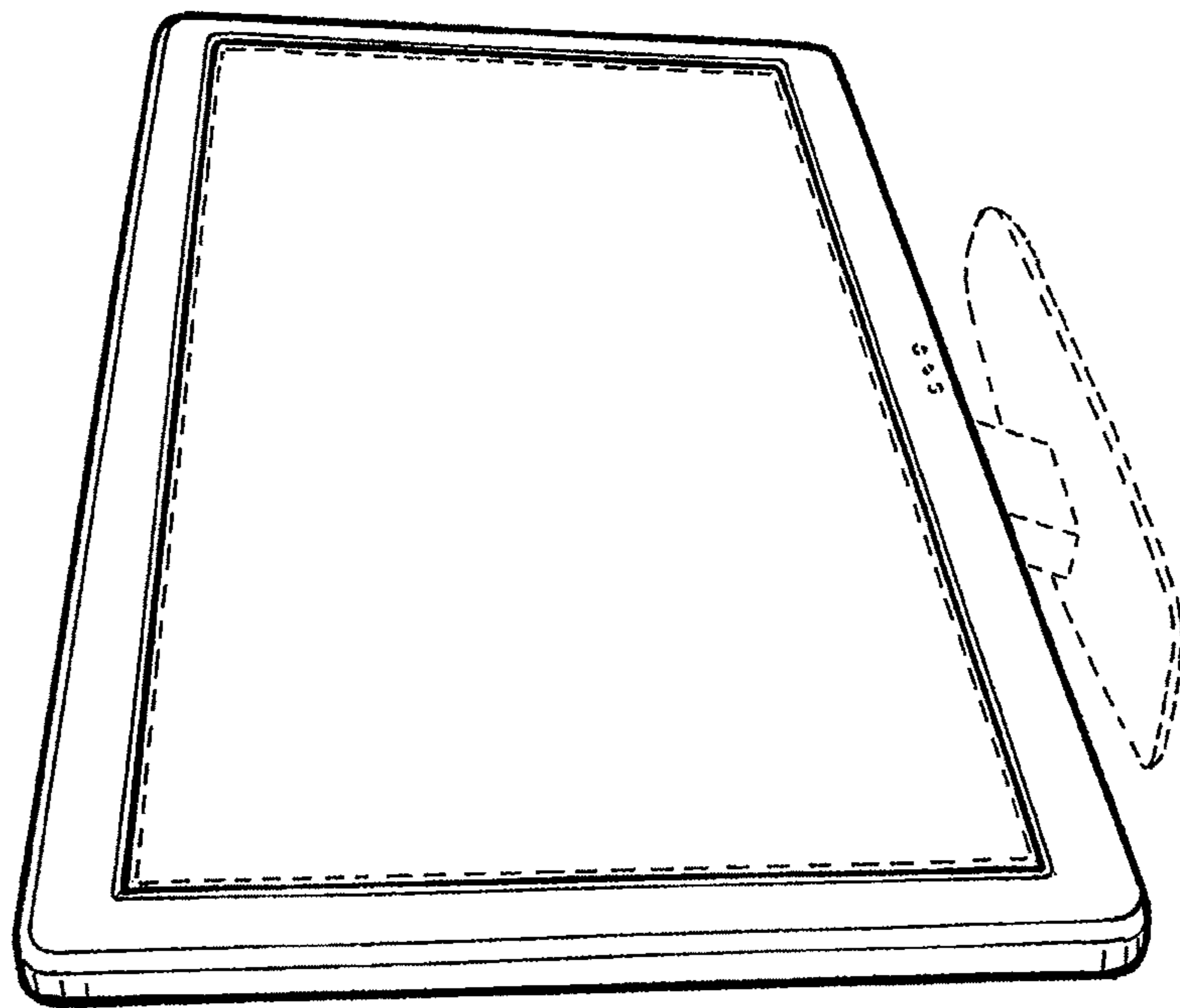


FIG. 10

UNITED STATES PATENT AND TRADEMARK OFFICE
CERTIFICATE OF CORRECTION

PATENT NO. : D712,855 S
APPLICATION NO. : 29/487424
DATED : September 9, 2014
INVENTOR(S) : Randy Thompson et al.

Page 1 of 1

It is certified that error appears in the above-identified patent and that said Letters Patent is hereby corrected as shown below:

On the Title Page

(71) Applicant should read: Funai Corporation, Inc., Rutherford, NJ (US)

Signed and Sealed this
Thirteenth Day of January, 2015



Michelle K. Lee
Deputy Director of the United States Patent and Trademark Office