

US00D712852S

(12) **United States Design Patent**  
**Krishnan et al.**

(10) **Patent No.:** **US D712,852 S**  
(45) **Date of Patent:** **\*\* Sep. 9, 2014**

(54) **SPINDLE KEY**  
(75) Inventors: **Sandeep Krishnan**, Princeton, NJ (US);  
**Keng Moy**, Basking Ridge, NJ (US);  
**Alexander I. Gurary**, Bridgewater, NJ  
(US); **Matthew King**, Montville, NJ  
(US); **Vadim Boguslavskiy**, Princeton,  
NJ (US); **Steven Krommenhoek**,  
Annandale, NJ (US)

(73) Assignee: **Veeco Instruments Inc.**, Plainview, NY  
(US)

(\*\*) Term: **14 Years**

(21) Appl. No.: **29/416,217**

(22) Filed: **Mar. 20, 2012**

(51) **LOC (10) Cl.** ..... **13-03**

(52) **U.S. Cl.**  
USPC ..... **D13/182**

(58) **Field of Classification Search**  
USPC ..... D13/182; 451/5, 11, 28, 36, 37, 41, 59,  
451/64, 66, 155, 156, 157, 259, 260, 270,  
451/271, 280, 283, 285, 287, 288, 289  
See application file for complete search history.

(56) **References Cited**

U.S. PATENT DOCUMENTS

1,795,230	A *	3/1931	Ott	.....	451/155
1,844,791	A *	2/1932	Ott et al.	.....	451/155
3,101,573	A *	8/1963	Thiel	.....	451/155
3,418,758	A *	12/1968	McEwan	.....	451/121
3,731,435	A	5/1973	Boettcher et al.		
3,845,738	A	11/1974	Berkman et al.		
3,930,341	A *	1/1976	Neuman	.....	451/143
4,165,584	A	8/1979	Scherrer		
4,206,572	A *	6/1980	Delehonte	.....	451/155
4,512,113	A	4/1985	Budinger		
4,551,947	A *	11/1985	Grimm et al.	.....	451/155
4,679,357	A *	7/1987	Richter et al.	.....	451/21

4,739,589	A	4/1988	Brehm et al.		
4,821,457	A *	4/1989	Ianuzzi	.....	451/155
4,928,434	A *	5/1990	Gianfranco	.....	451/155
5,191,738	A	3/1993	Nakazato et al.		
5,193,316	A	3/1993	Olmstead		
5,335,560	A *	8/1994	Wang	.....	74/22 R
5,361,543	A *	11/1994	Bory	.....	451/165
5,371,978	A *	12/1994	Higashikawa	.....	451/51
5,377,451	A	1/1995	Leoni et al.		
5,402,604	A *	4/1995	Hashii et al.	.....	451/155
5,422,316	A	6/1995	Desai et al.		
5,482,498	A *	1/1996	Higashikawa	.....	451/61
5,573,448	A	11/1996	Nakazima et al.		
5,624,302	A *	4/1997	Hashii et al.	.....	451/157
5,647,789	A	7/1997	Kitta et al.		
5,674,107	A	10/1997	Graebner et al.		
5,683,518	A	11/1997	Moore et al.		

(Continued)

FOREIGN PATENT DOCUMENTS

CN 202492576 U 10/2012

Primary Examiner — Elizabeth J Oswecki

(74) Attorney, Agent, or Firm — Lerner, David, Littenberg,  
Krumholz & Mentlik, LLP

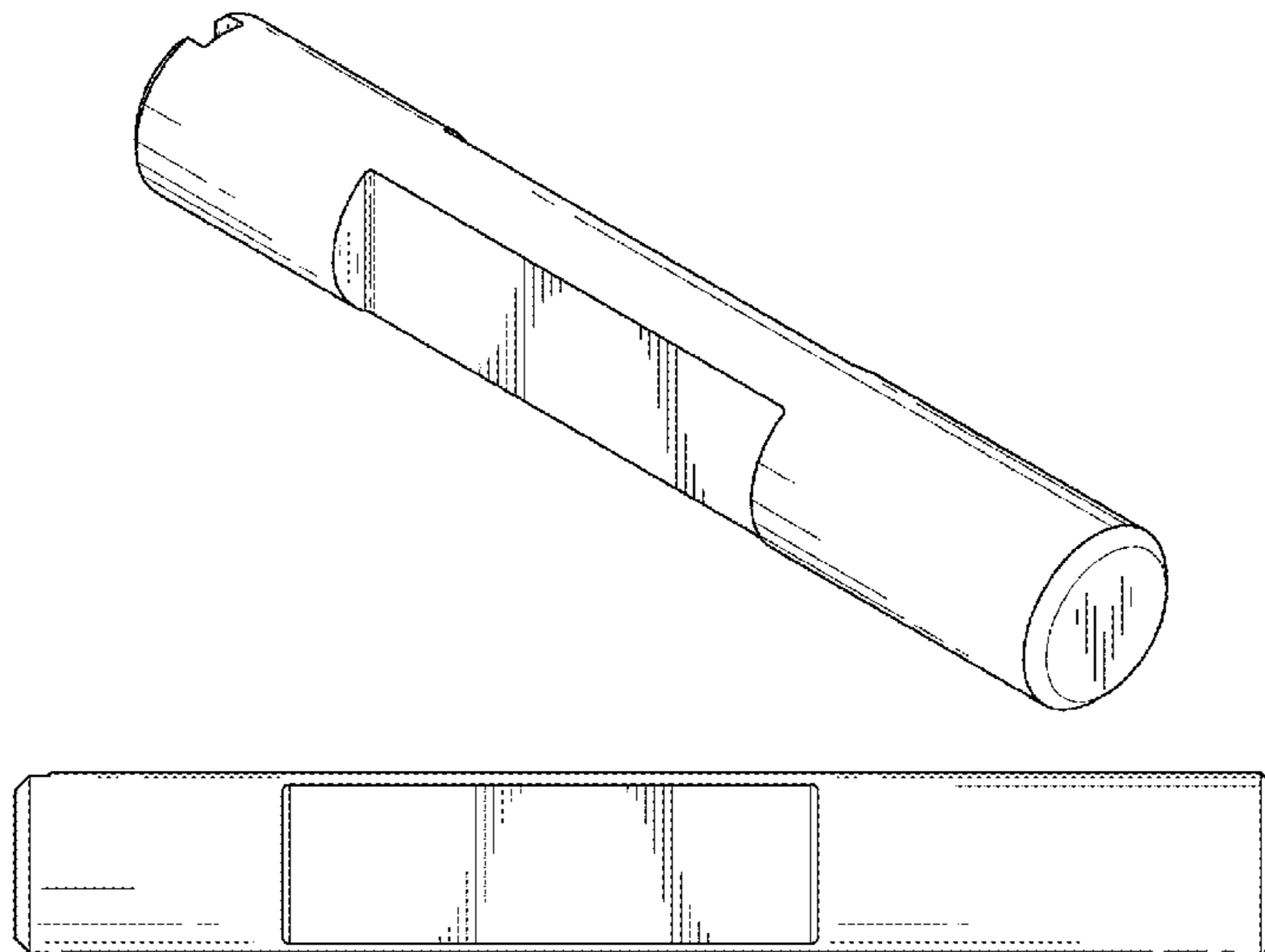
(57) **CLAIM**

The ornamental design for a spindle key, as shown and  
described.

**DESCRIPTION**

FIG. 1 is a top perspective view of a spindle key showing our  
new design;  
FIG. 2 is a left side view thereof, the right side view being a  
mirror image thereof;  
FIG. 3 is a front view thereof;  
FIG. 4 is a rear view thereof; and,  
FIG. 5 is a top plan view thereof, the bottom plan view  
thereof.  
The broken lines shown in the drawings represent portions of  
the spindle key that form no part of the claimed design.

**1 Claim, 2 Drawing Sheets**



(56)

**References Cited**

U.S. PATENT DOCUMENTS

5,788,777	A	8/1998	Burk, Jr.	7,125,313	B2 *	10/2006	Zelenski et al. ....	451/5
5,840,124	A	11/1998	Gurary et al.	7,169,234	B2	1/2007	Weeks et al.	
5,865,666	A	2/1999	Nagahara	7,235,139	B2	6/2007	Boguslavskiy et al.	
6,080,042	A	6/2000	McGregor et al.	7,252,737	B2	8/2007	Brown et al.	
6,241,825	B1	6/2001	Wytman	D574,792	S *	8/2008	Sato .....	D13/182
6,375,749	B1	4/2002	Boydston et al.	D579,885	S *	11/2008	Sato .....	D13/182
6,454,635	B1	9/2002	Zhang et al.	7,520,800	B2 *	4/2009	Duescher .....	451/527
6,500,059	B2	12/2002	Chang et al.	D601,979	S *	10/2009	Sato .....	D13/182
6,514,424	B2	2/2003	Wenski et al.	D616,394	S *	5/2010	Sato .....	D13/182
6,666,948	B2	12/2003	Nguyen	D616,395	S *	5/2010	Sato .....	D13/182
6,709,981	B2	3/2004	Grabbe et al.	D633,452	S	3/2011	Namiki et al.	
6,733,367	B1	5/2004	Nguyen	8,177,993	B2	5/2012	Seah et al.	
6,786,807	B2 *	9/2004	Becksvooort et al. ....	8,182,315	B2	5/2012	Nguyen	
6,824,451	B2 *	11/2004	Hollatz et al. ....	8,328,600	B2	12/2012	Duescher	
7,008,308	B2	3/2006	Bjelopavlic et al.	D674,759	S	1/2013	Chang et al.	
				2002/0011204	A1	1/2002	Gujer et al.	
				2003/0057089	A1	3/2003	Nguyen	
				2009/0194026	A1	8/2009	Burrows et al.	

\* cited by examiner

FIG. 1

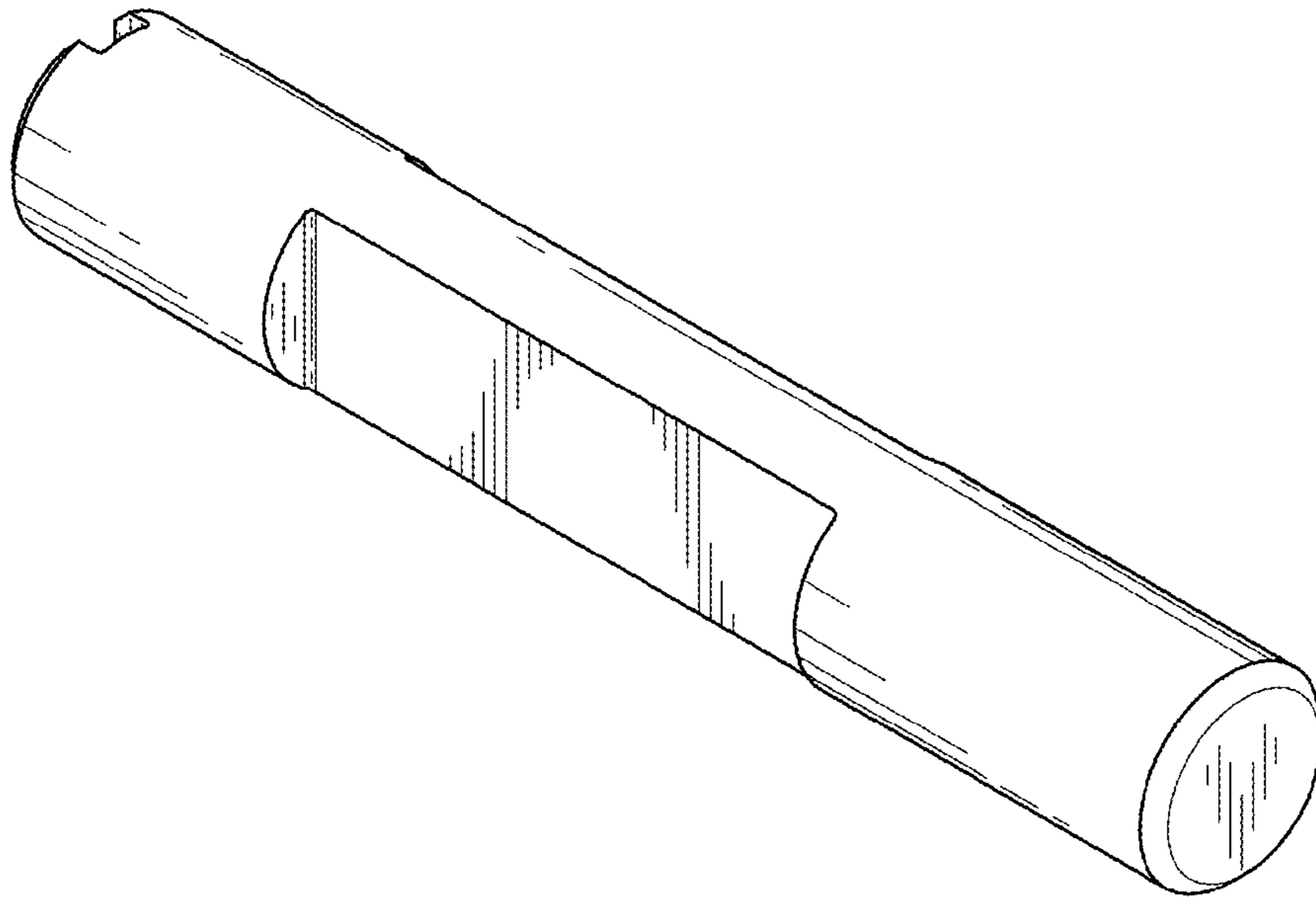


FIG. 2

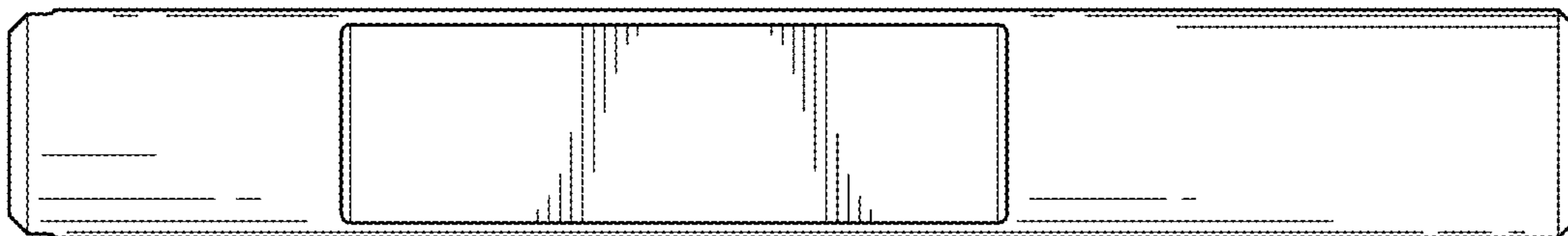


FIG. 3

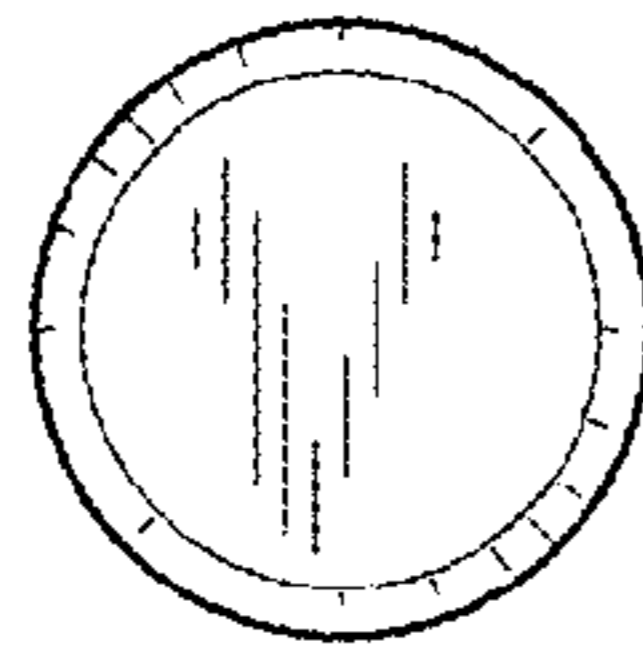


FIG. 4

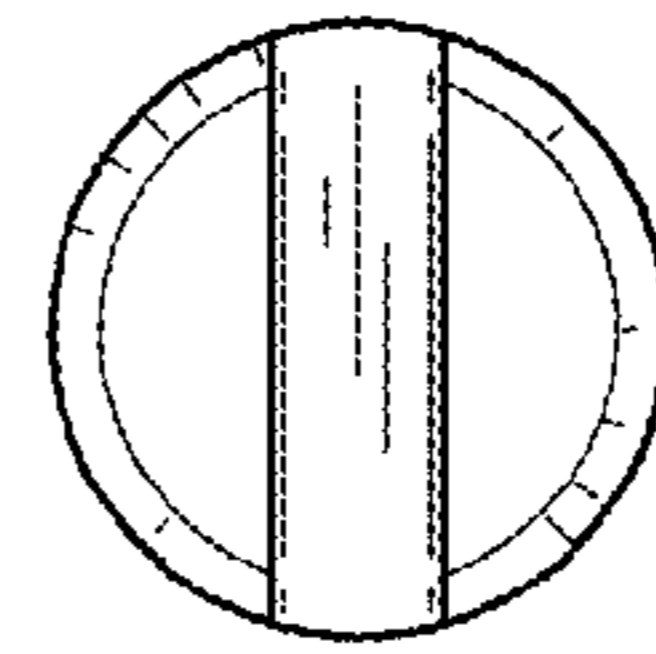


FIG. 5

