



US00D712847S

(12) **United States Design Patent**
Dorn et al.

(10) **Patent No.:** **US D712,847 S**
(45) **Date of Patent:** **** Sep. 9, 2014**

(54) **SWITCH**

(71) Applicant: **Raffel Systems, LLC**, Germantown, WI (US)

(72) Inventors: **Douglas Dorn**, Brookfield, WI (US);
Paul Li, Milwaukee, WI (US); **Paul Stangl**, West Bend, WI (US)

(73) Assignee: **Raffel Systems, LLC**, Germantown, WI (US)

(**) Term: **14 Years**

(21) Appl. No.: **29/467,043**

(22) Filed: **Sep. 13, 2013**

(51) **LOC (10) Cl.** **13-03**

(52) **U.S. Cl.**
USPC **D13/174**

(58) **Field of Classification Search**
USPC D13/169, 171, 174; 307/139, 157;
315/209 R, 224, 246, 291, 294, 295;
200/5 R, 5 A, 302.2, 520, 530, 293, 296,
200/302.3, 308, 310, 314, 315, 329, 339,
200/341

See application file for complete search history.

(56) **References Cited**

U.S. PATENT DOCUMENTS

4,772,767	A	*	9/1988	Sawada	200/302.3
5,662,213	A	*	9/1997	Kattler et al.	200/302.3
D421,966	S	*	3/2000	Allen et al.	D13/174
D434,393	S	*	11/2000	Gehr	D13/174
D451,892	S	*	12/2001	Carrere	D13/174
D458,231	S	*	6/2002	Errato	D13/169

D463,381	S	*	9/2002	Westermann	D13/167
D464,329	S	*	10/2002	Mainiero	D13/169
D500,744	S	*	1/2005	Michaud	D13/174
D519,469	S	*	4/2006	Sorenson	D13/174
8,471,195	B2	*	6/2013	Kukita	250/231.19
D685,333	S	*	7/2013	Beroukas et al.	D13/174
8,541,706	B2	*	9/2013	Limbert	200/302.3
D691,098	S	*	10/2013	Li et al.	D13/174
D691,099	S	*	10/2013	Li et al.	D13/174
D691,971	S	*	10/2013	Li et al.	D13/174
D692,401	S	*	10/2013	Li et al.	D13/174
D692,841	S	*	11/2013	Li et al.	D13/174
D700,150	S	*	2/2014	Li et al.	D13/174
D707,640	S	*	6/2014	Li et al.	D13/174

* cited by examiner

Primary Examiner — Selina Sikder

(74) *Attorney, Agent, or Firm* — Tyler J. Sisk; Casimir Jones, S.C.

(57) **CLAIM**

The ornamental design for a switch, as shown and described.

DESCRIPTION

FIG. 1 is a top perspective view showing our new design of a switch;

FIG. 2 is a top plan view thereof;

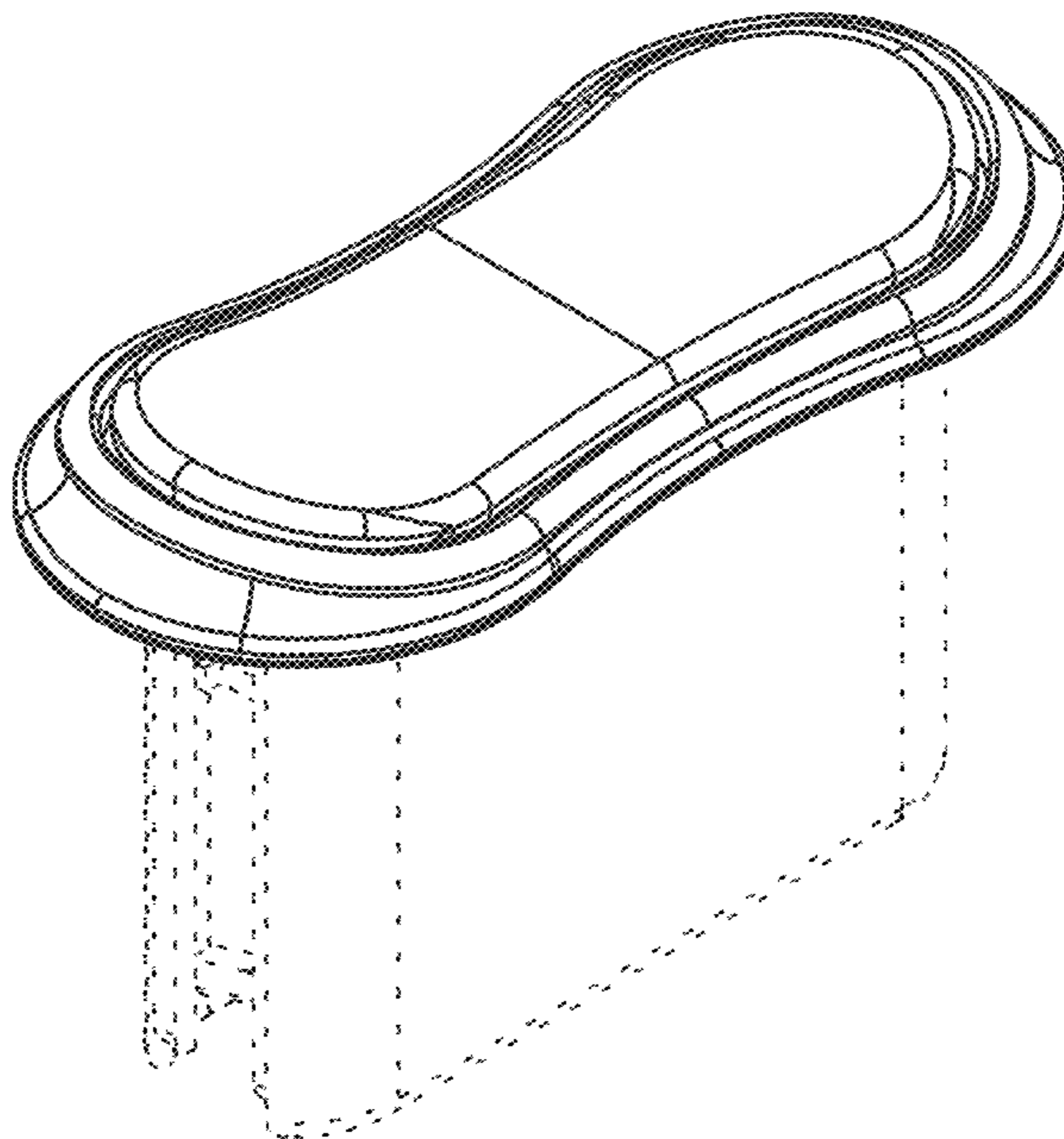
FIG. 3 is a bottom plan view thereof;

FIG. 4 is a front elevational view thereof, the rear elevational view being a mirror image thereof; and,

FIG. 5 is a left side elevational view thereof, the right side elevational view being a mirror image thereof.

The broken lines shown in FIGS. 1, 3, 4, and 5 are for the purpose of illustrating environment, and form no part of the claimed design.

1 Claim, 3 Drawing Sheets



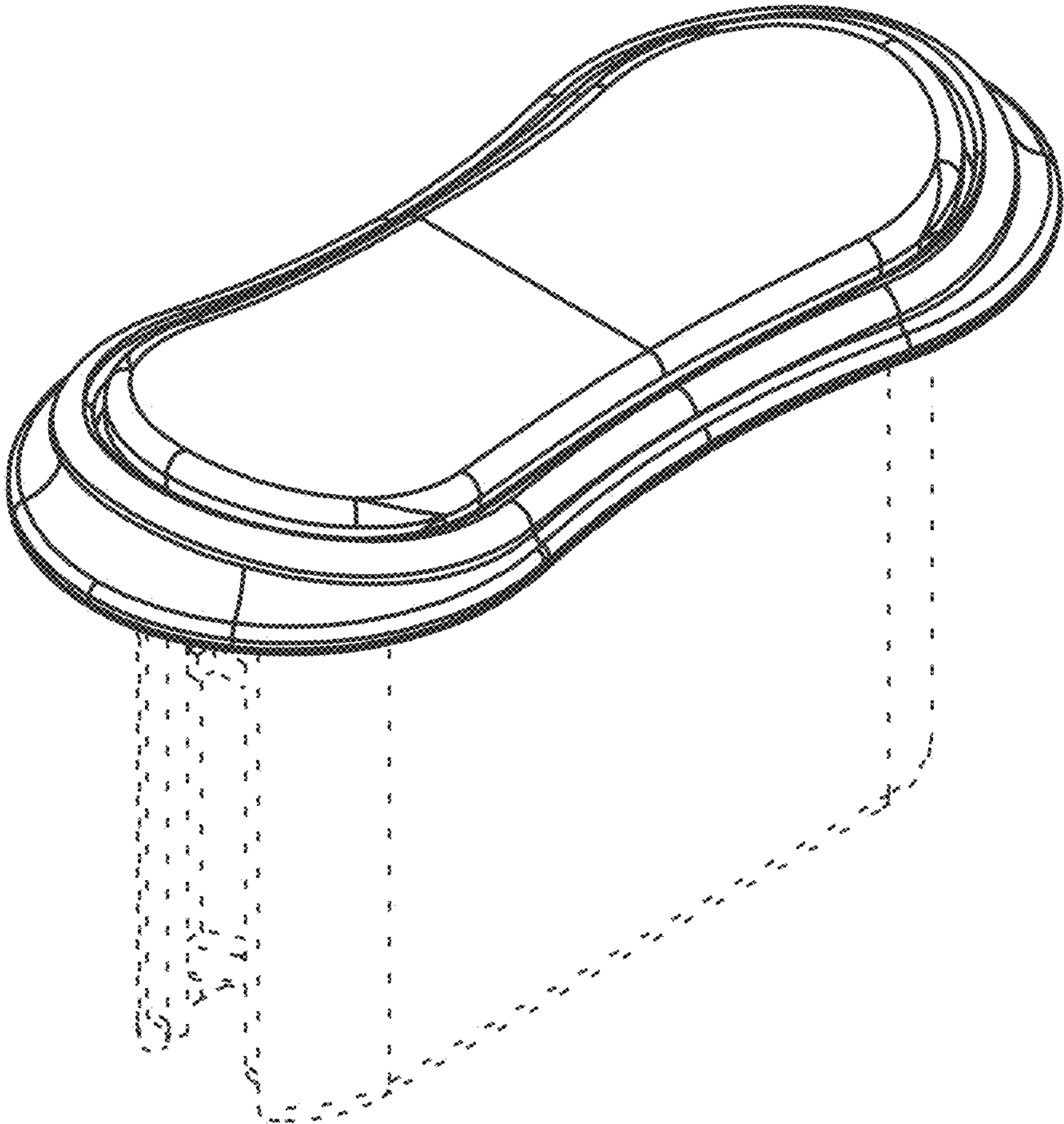


FIG. 1

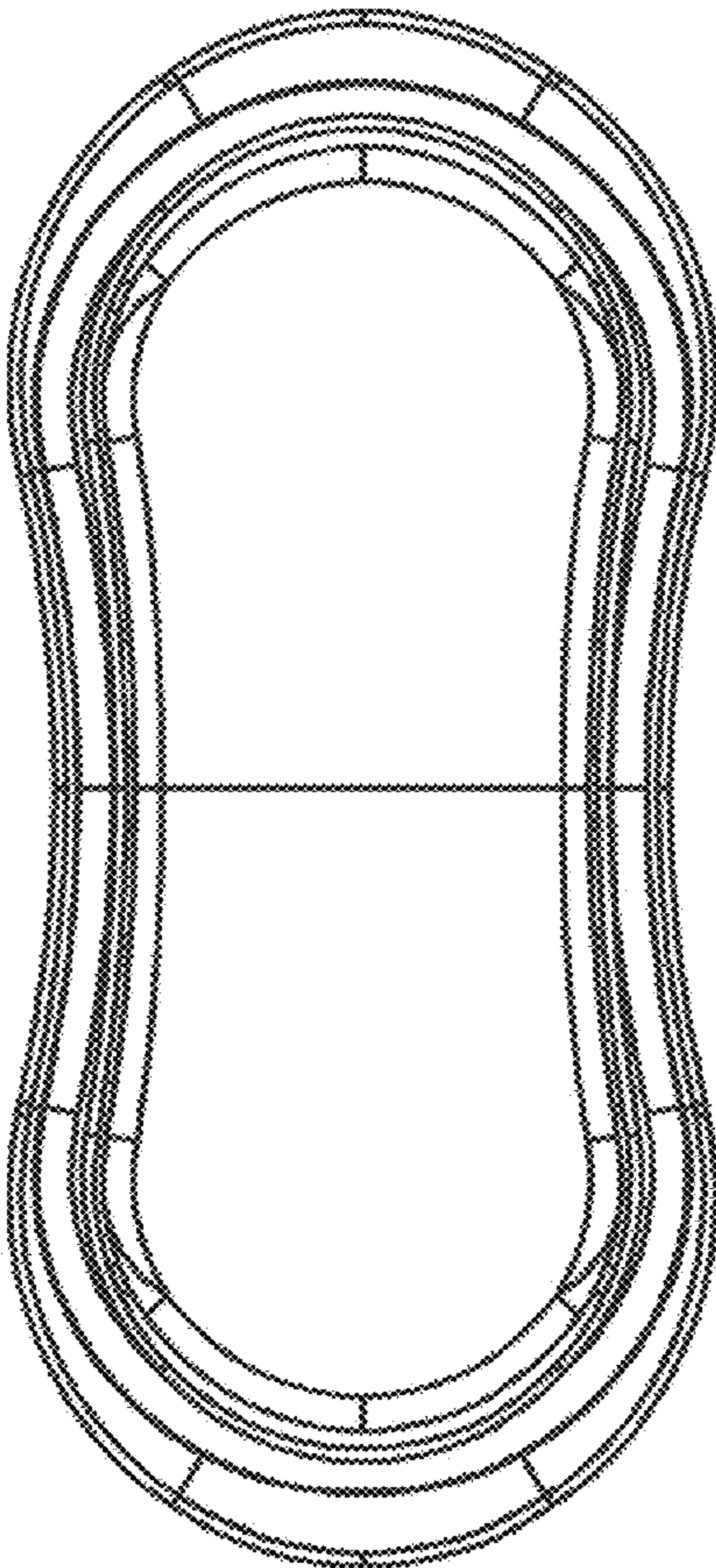


FIG. 2

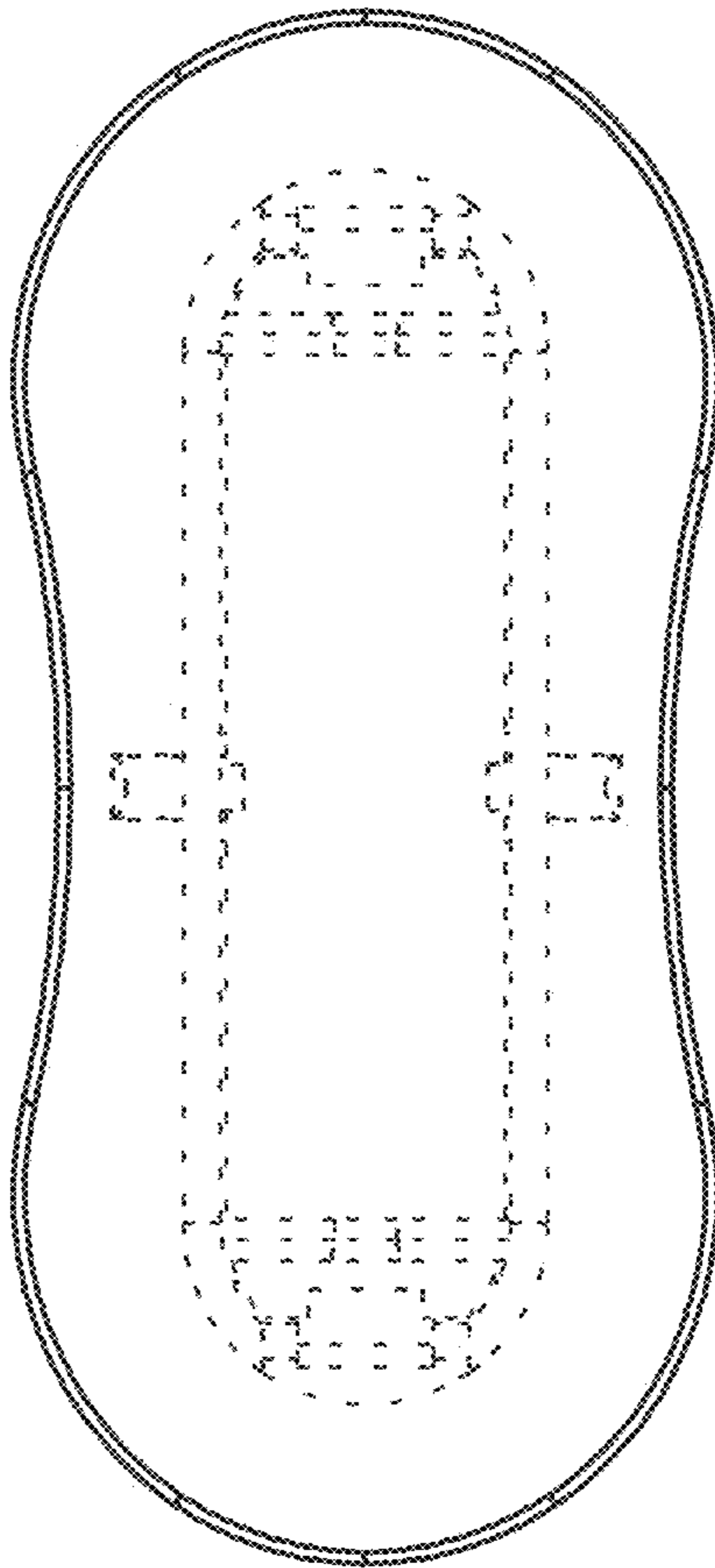


FIG. 3

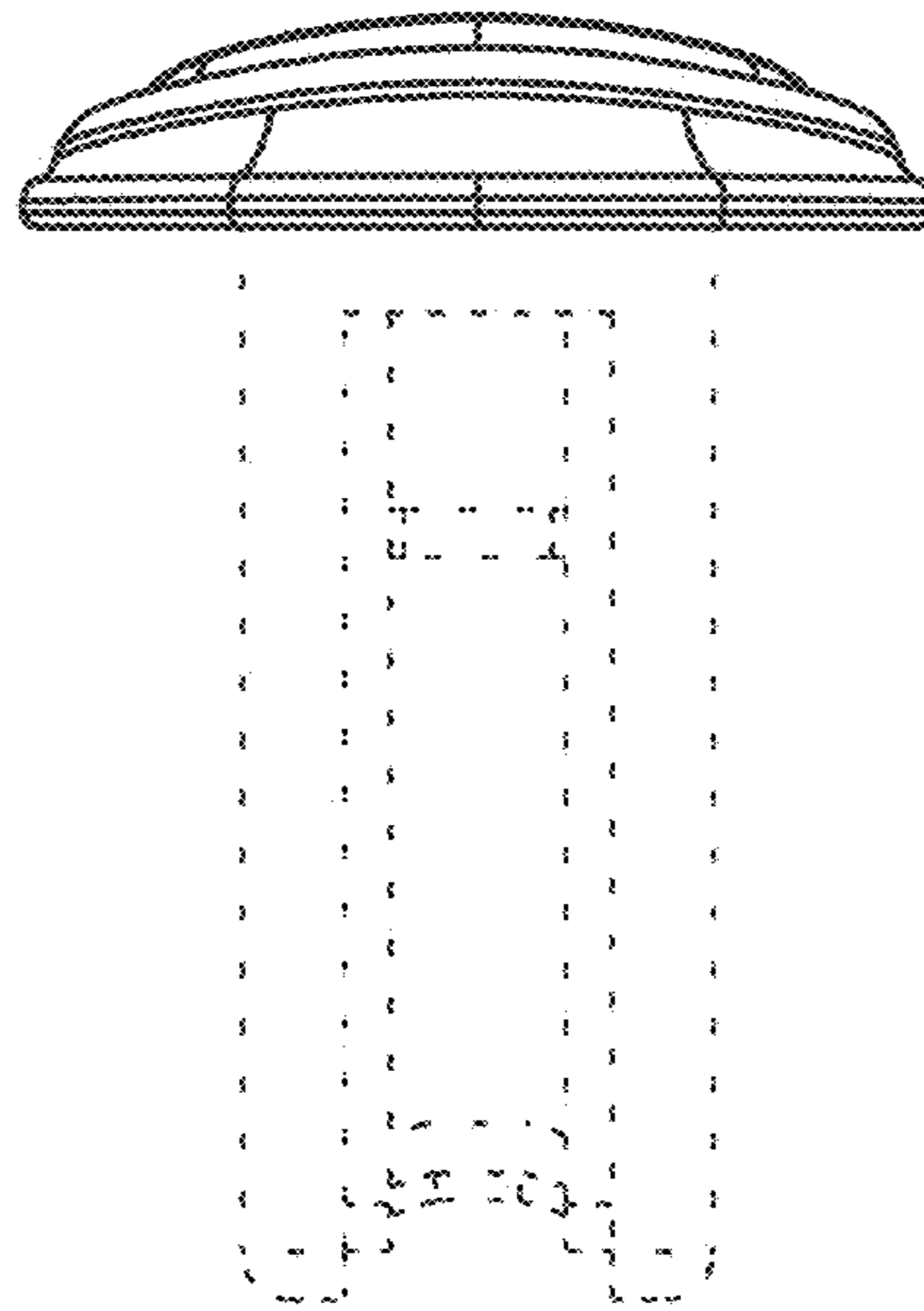


FIG. 4

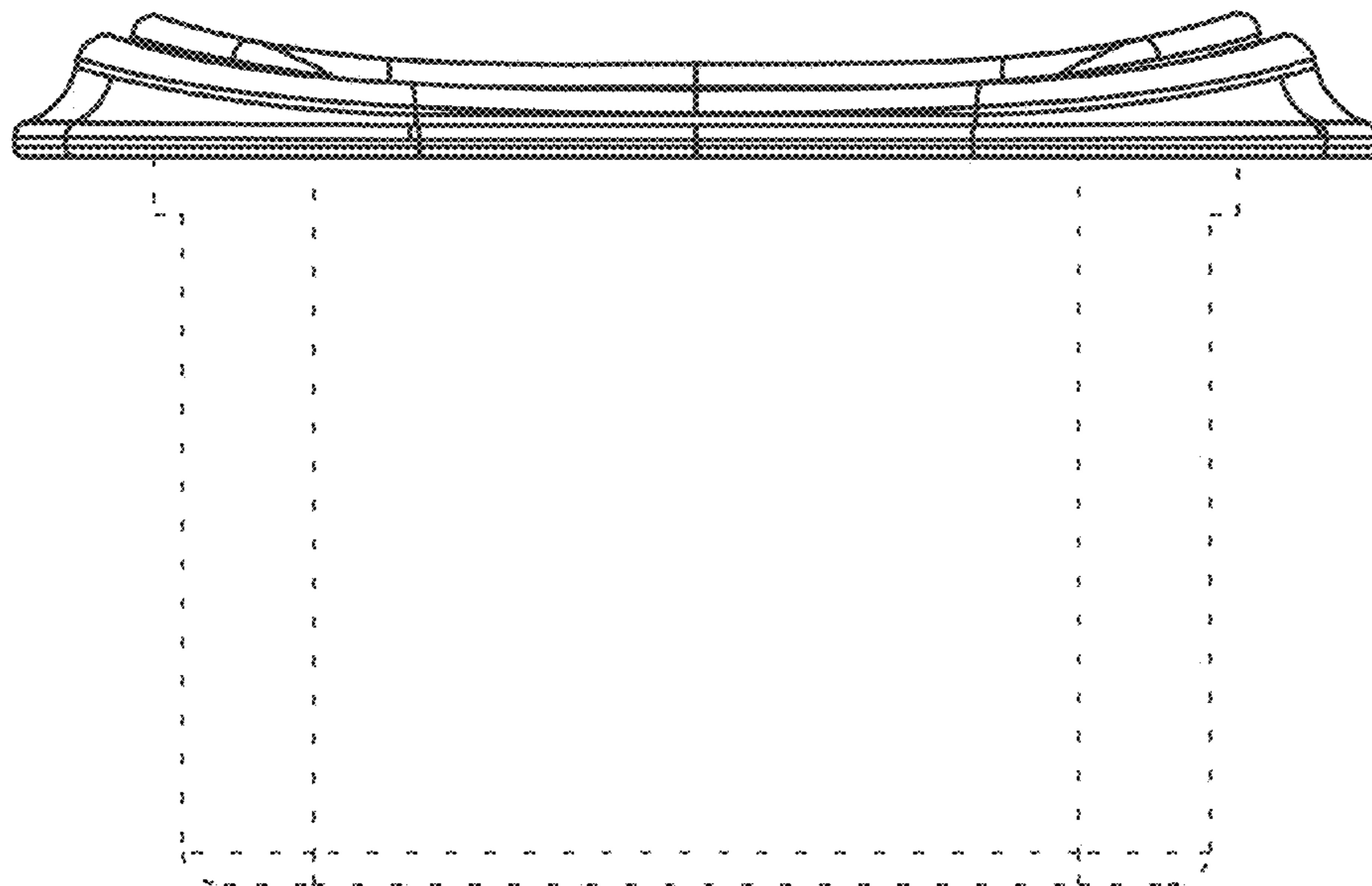


FIG. 5