



US00D712844S

(12) **United States Design Patent**
Buck et al.

(10) **Patent No.:** **US D712,844 S**
(45) **Date of Patent:** **** Sep. 9, 2014**

(54) **RIGHT-ANGLE ELECTRICAL CONNECTOR HOUSING**

(71) Applicants: **Jonathan E. Buck**, Hershey, PA (US);
Stuart C. Stoner, Lewisberry, PA (US);
Steven E. Minich, York, PA (US);
Douglas M. Johnescu, York, PA (US);
Stephen B. Smith, Mechanicsburg, PA (US)

(72) Inventors: **Jonathan E. Buck**, Hershey, PA (US);
Stuart C. Stoner, Lewisberry, PA (US);
Steven E. Minich, York, PA (US);
Douglas M. Johnescu, York, PA (US);
Stephen B. Smith, Mechanicsburg, PA (US)

(73) Assignee: **FCI Americas Technology LLC**,
Carson City, NV (US)

(**) Term: **14 Years**

(21) Appl. No.: **29/443,761**

(22) Filed: **Jan. 22, 2013**

(51) **LOC (10) Cl.** **13-03**

(52) **U.S. Cl.**
USPC **D13/154; D13/147**

(58) **Field of Classification Search**
USPC D13/146, 147, 149, 154, 184, 199;
439/74, 108, 180, 252, 258, 246, 278,
439/374, 378, 379, 381, 527, 529, 533, 660,
439/717, 865-894, 953; 174/16.3; 257/697,
257/727; 361/769

See application file for complete search history.

(56) **References Cited**

U.S. PATENT DOCUMENTS

D210,829 S	4/1968	Hanlon et al.	
D213,697 S	4/1969	Oxley	
D402,637 S	12/1998	Carpenter, Jr.	
6,461,202 B2 *	10/2002	Kline	439/701
6,960,103 B2	11/2005	Tokunaga	
6,994,569 B2 *	2/2006	Minich et al.	439/79
7,118,391 B2 *	10/2006	Minich et al.	439/79
D550,628 S	9/2007	Whiteman, Jr. et al.	
7,278,856 B2 *	10/2007	Minich	439/65

7,338,321 B2 *	3/2008	Laurx	439/607.05
7,549,897 B2 *	6/2009	Fedder et al.	439/751
D611,420 S	3/2010	Takada et al.	
D611,421 S	3/2010	Takada et al.	
D611,905 S	3/2010	Takada et al.	
D611,906 S	3/2010	Takada et al.	
8,408,939 B2 *	4/2013	Davis et al.	439/607.01
2004/0259420 A1 *	12/2004	Wu	439/608
2007/0190825 A1	8/2007	Shuey et al.	
2009/0068902 A1	3/2009	Nagata	
2012/0214343 A1 *	8/2012	Buck et al.	439/607.05

* cited by examiner

Primary Examiner — Daniel Bui

(74) *Attorney, Agent, or Firm* — Baker & Hostetler LLP

(57) **CLAIM**

The ornamental design for a right-angle electrical connector housing, as shown and described.

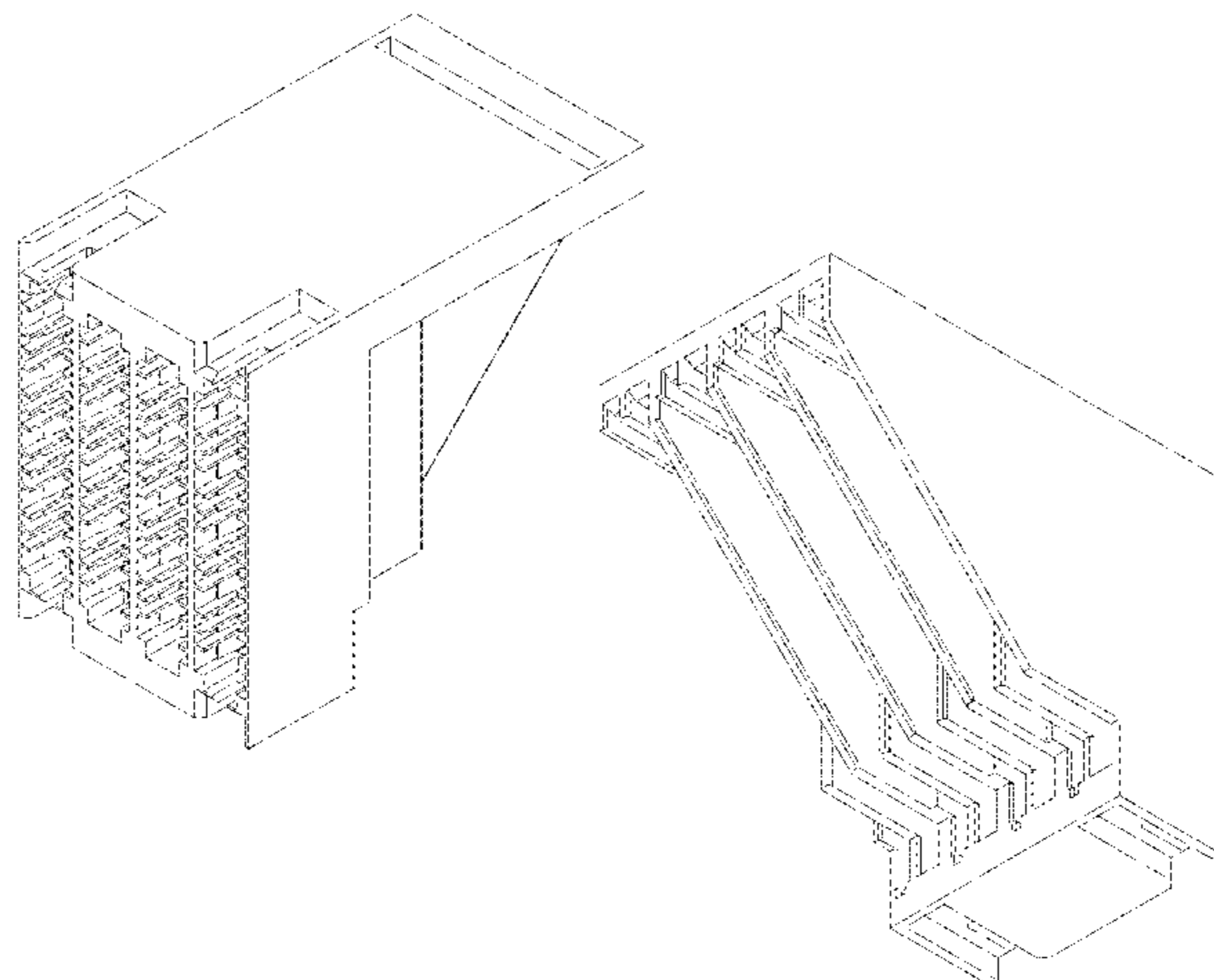
DESCRIPTION

This is related by subject matter to U.S. patent application Ser. No. 29/443,213 filed Jan. 14, 2013, and U.S. patent application Ser. No. 29/443,595 filed Jan. 18, 2013.

FIG. 1 is a top, right, front perspective view of a right-angle electrical connector housing showing our design;
FIG. 2 is a bottom, left, rear perspective view thereof;
FIG. 3 is another top, right, front perspective view thereof;
FIG. 4 is a bottom, left, front perspective view thereof;
FIG. 5 is a top, left, rear perspective view thereof;
FIG. 6 is a bottom, right, rear perspective view thereof;
FIG. 7 is a front elevation view thereof;
FIG. 8 is a rear elevation view thereof;
FIG. 9 is a top plan view thereof;
FIG. 10 is a bottom plan view thereof;
FIG. 11 is a left side elevation view thereof; and,
FIG. 12 is a right side elevation view thereof.

The broken line portion of the figure drawings is included to show unclaimed subject matter only for the purpose of illustrating environment and forms no part of the claimed design. In a preferred embodiment, the nature of this product is an electrical component that can take the form of a right-angle electrical connector, and a right-angle electrical connector housing therefor.

1 Claim, 6 Drawing Sheets



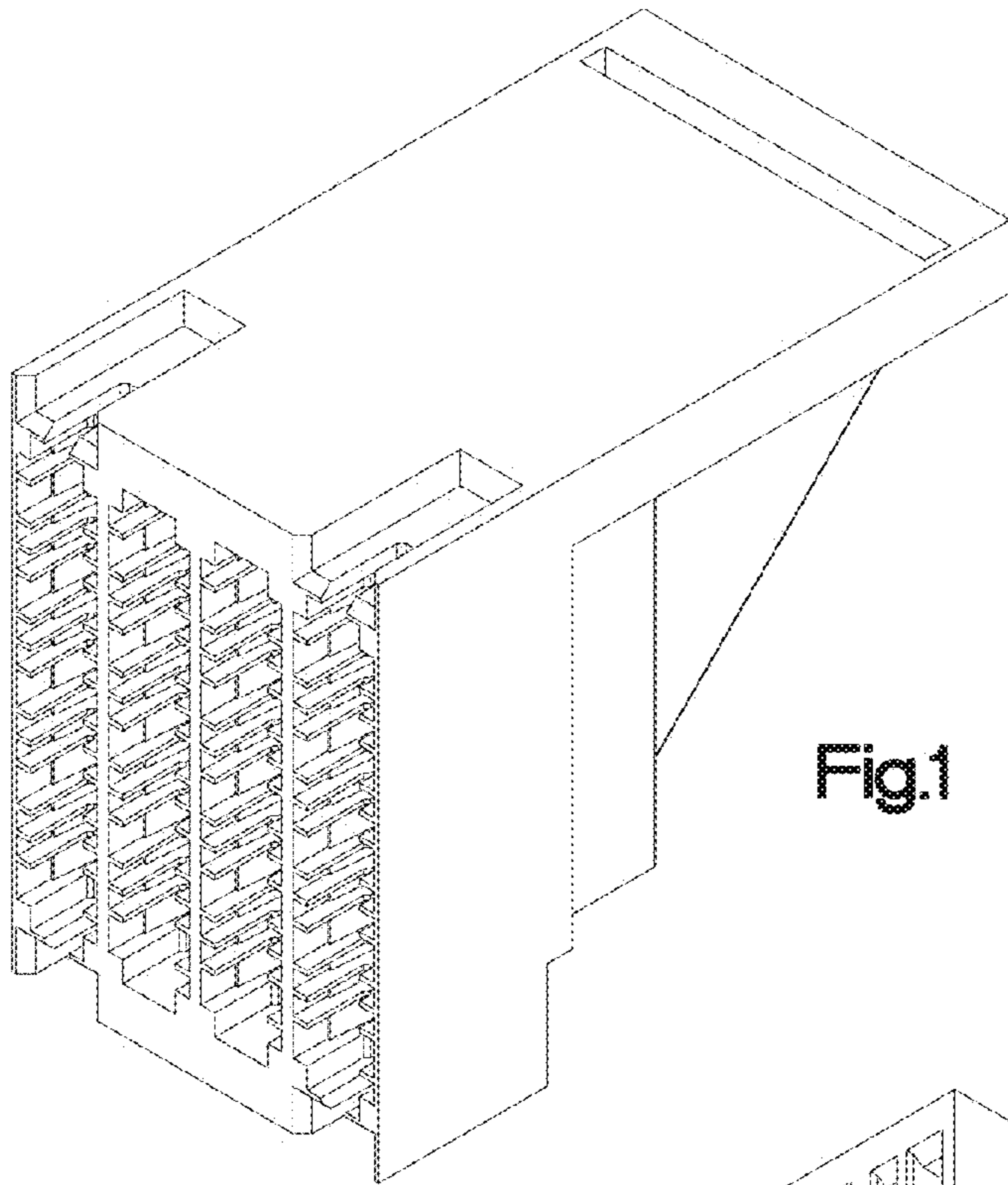


Fig.1

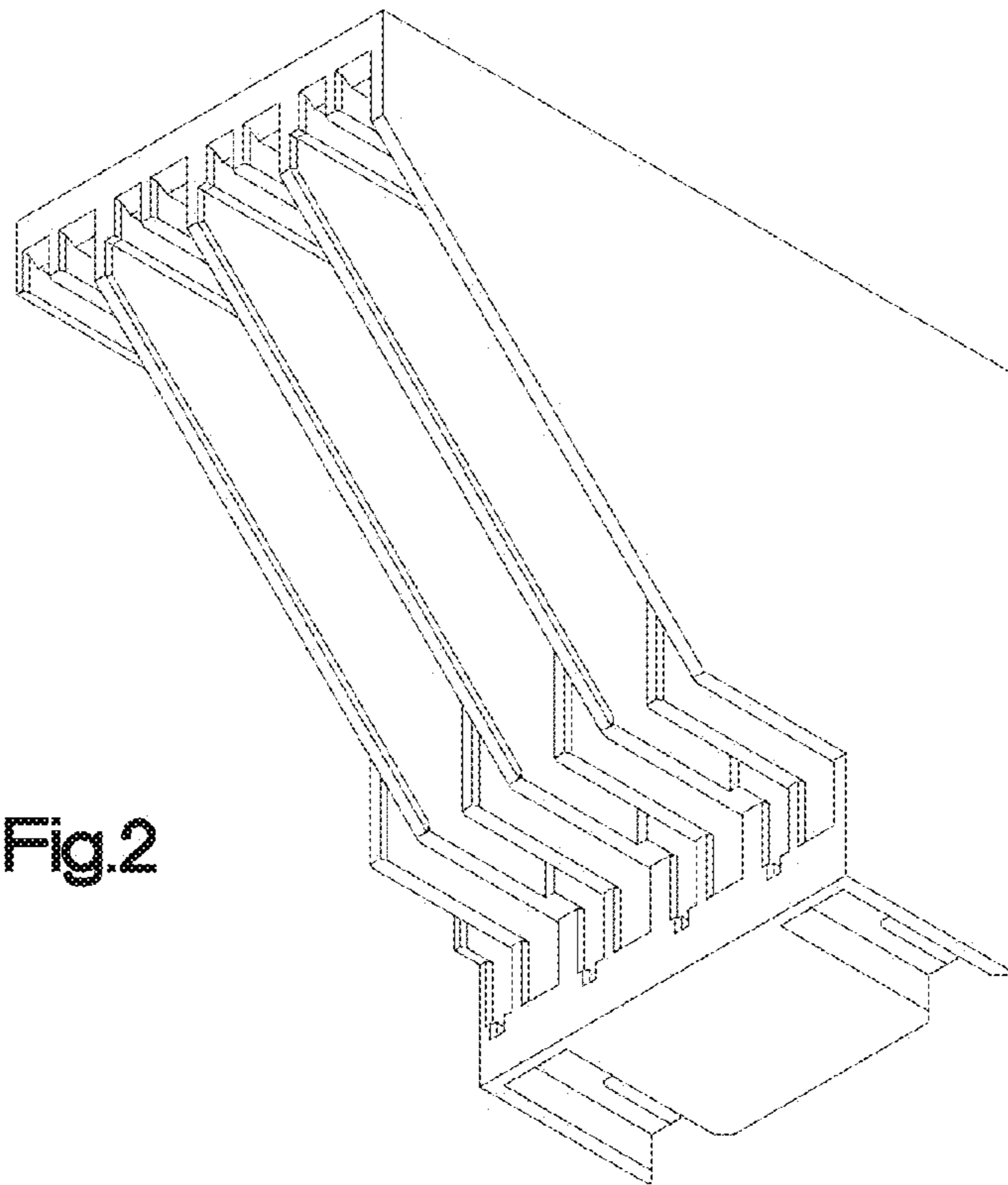


Fig.2

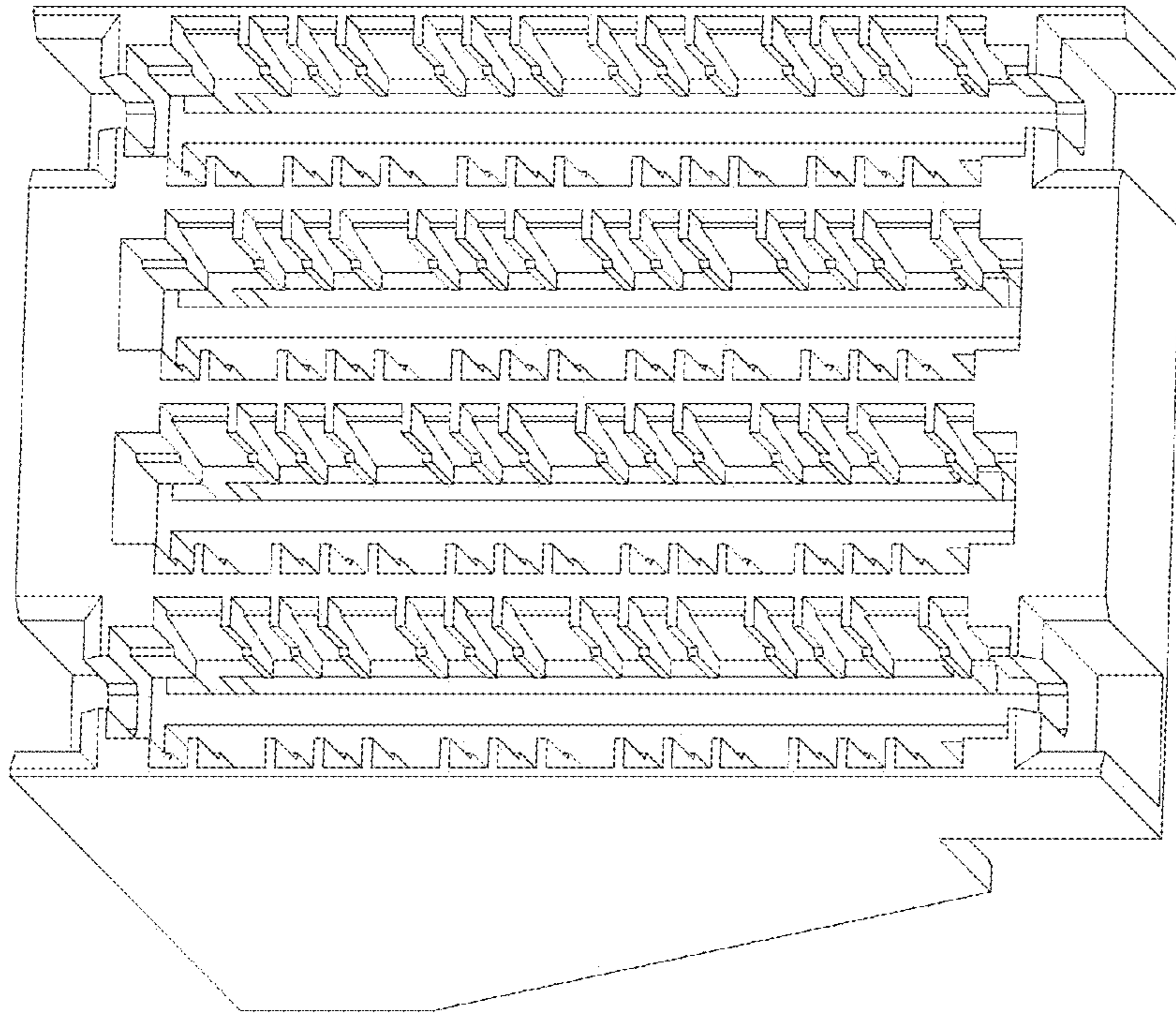


Fig.4

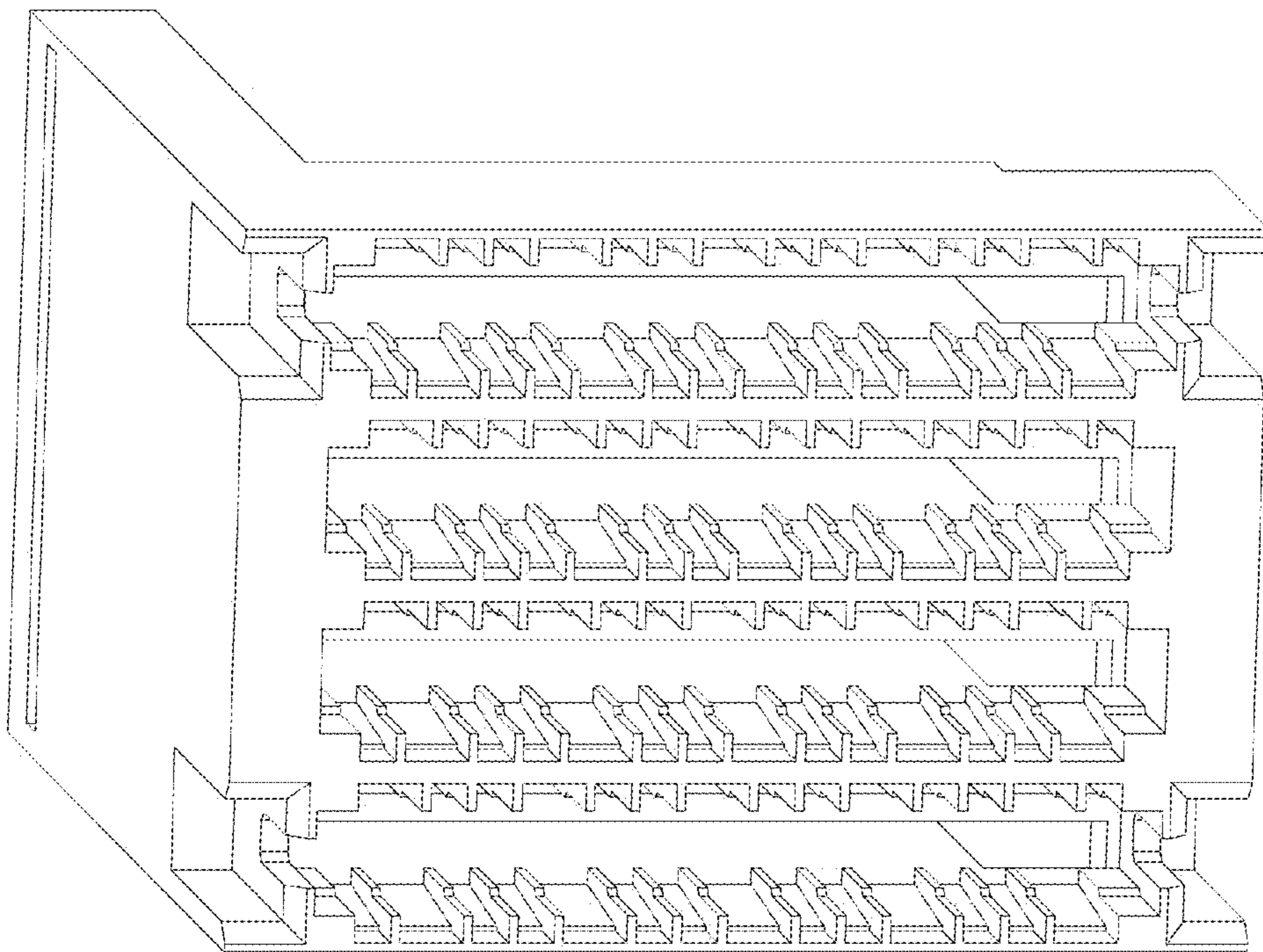


Fig.3

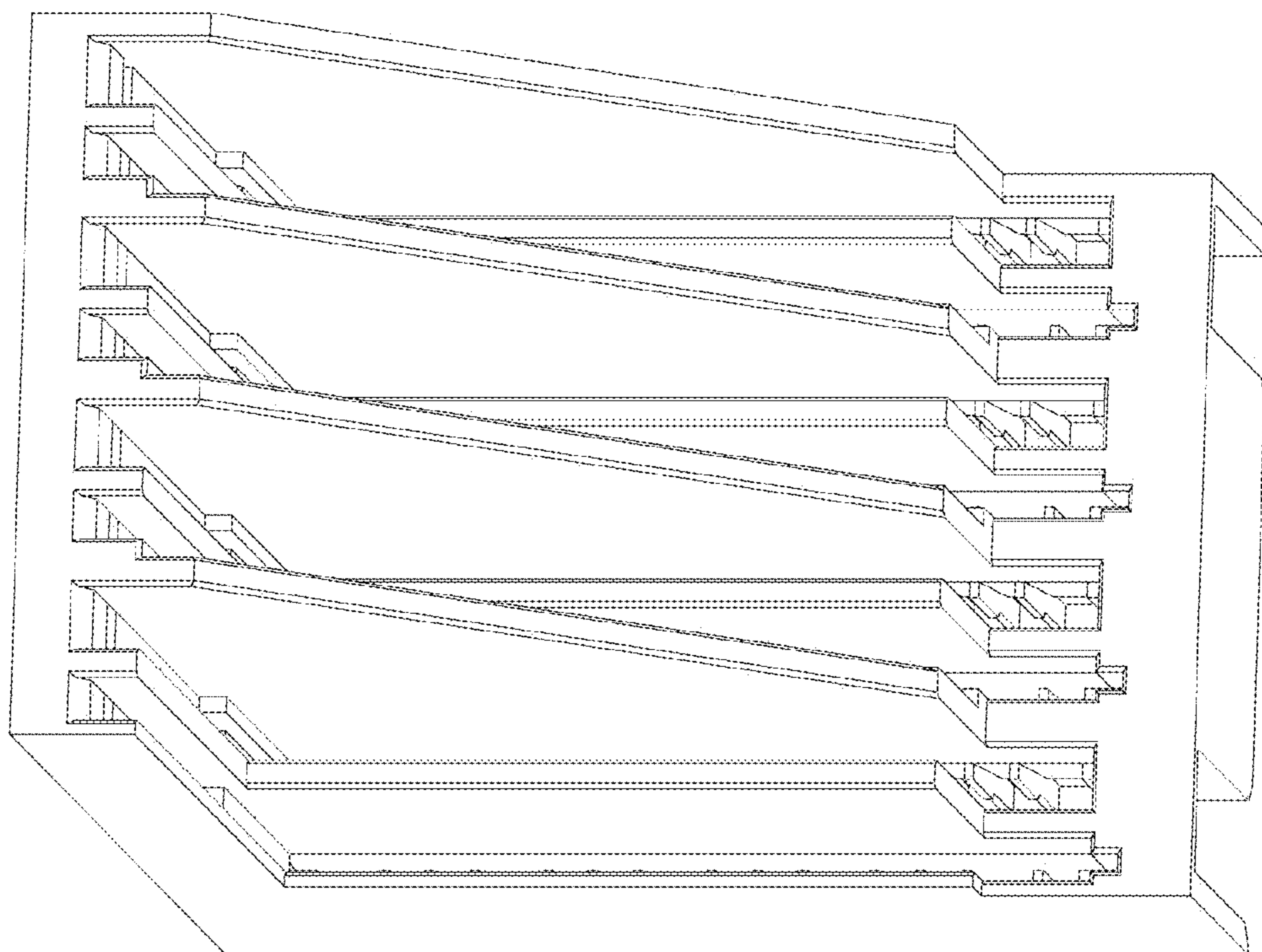


Fig.6

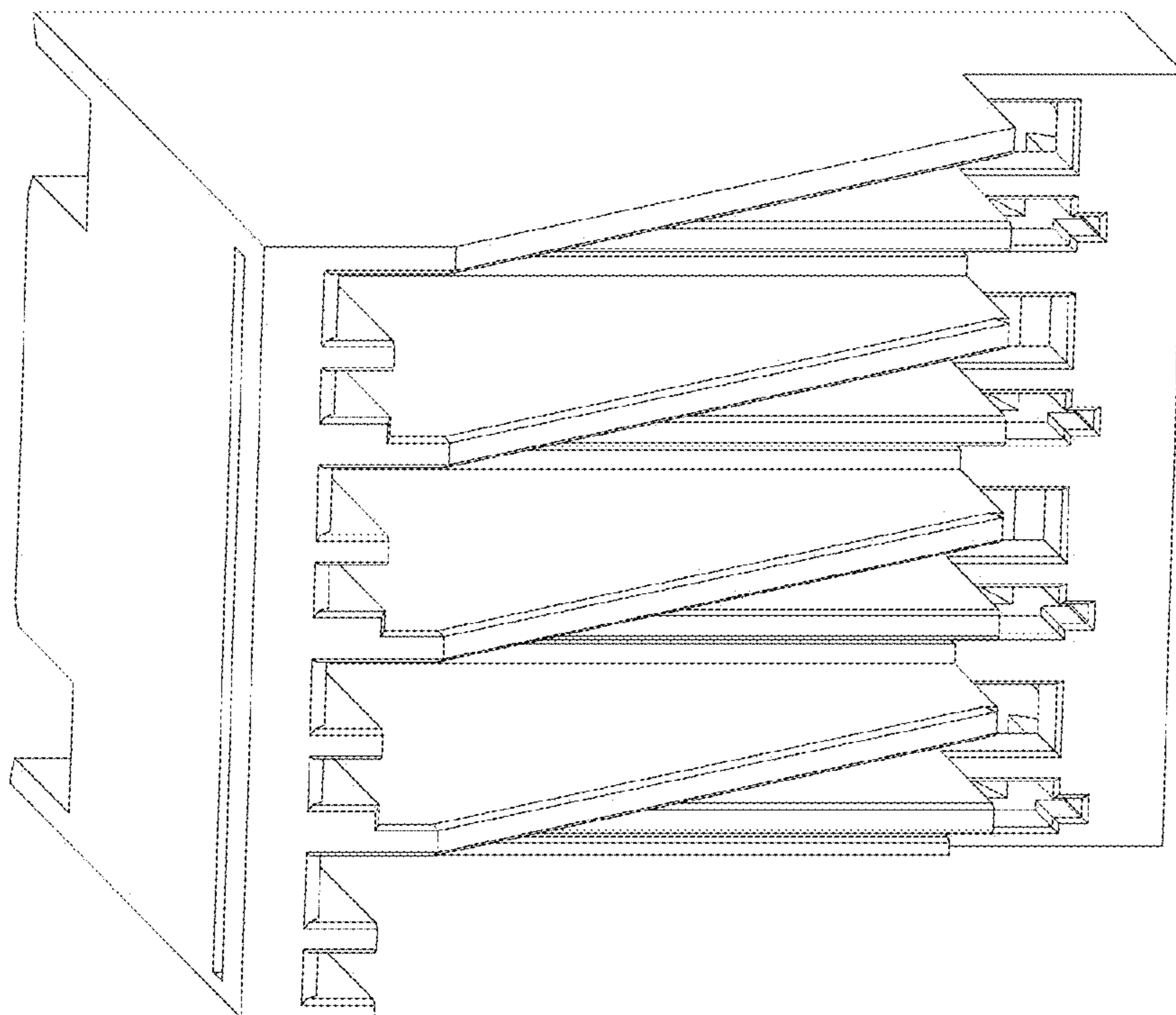


Fig.5

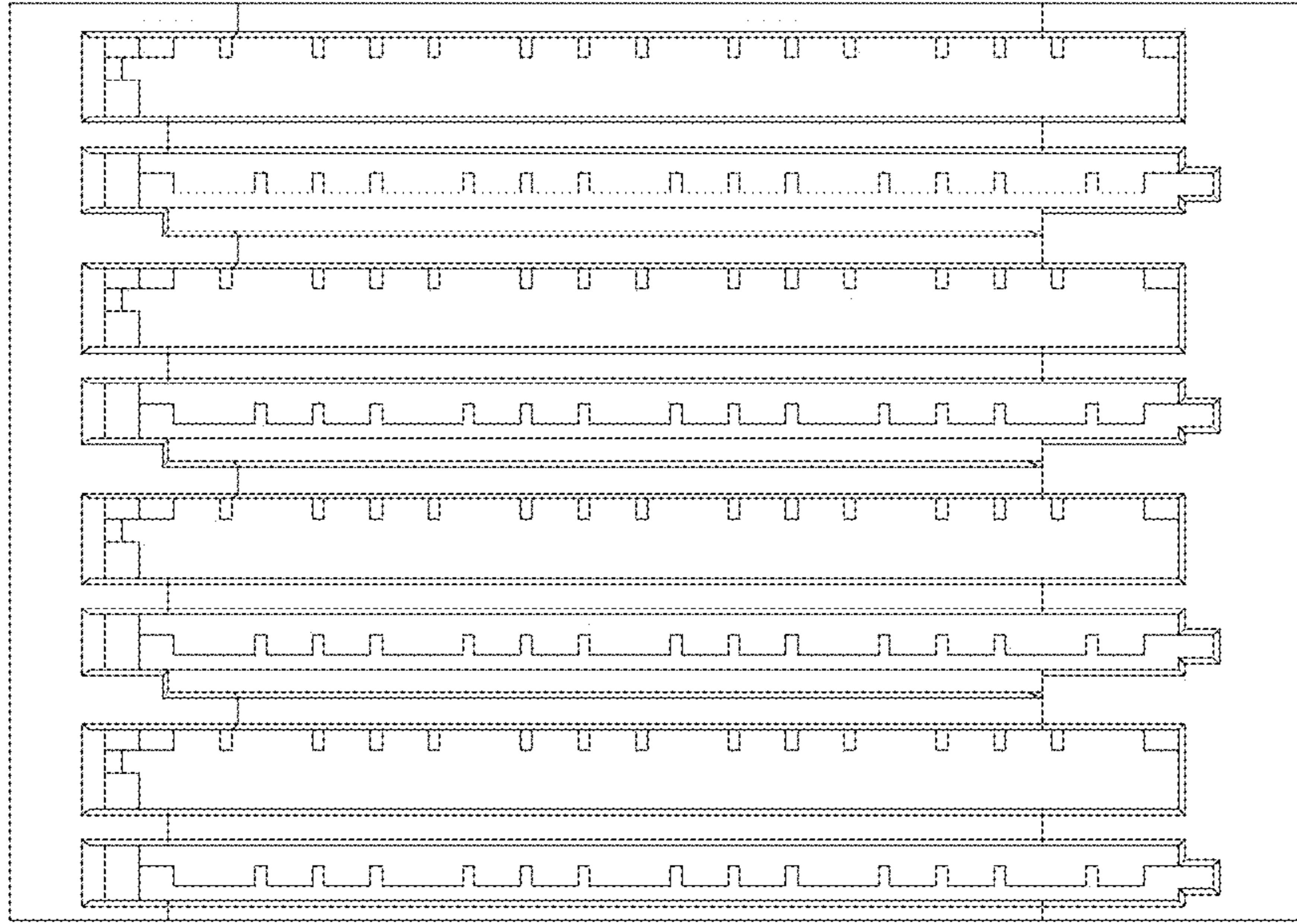


Fig.8

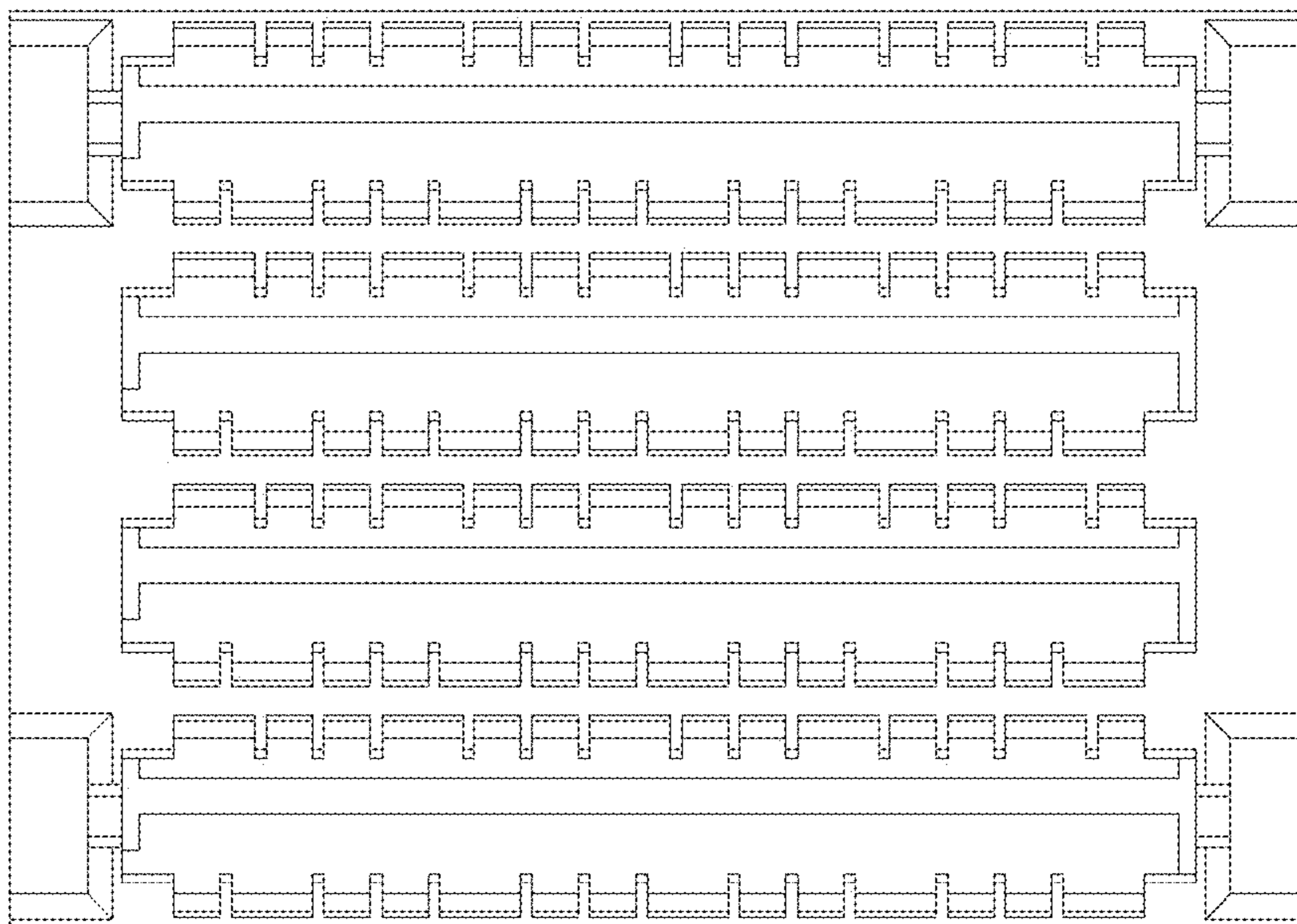


Fig.7

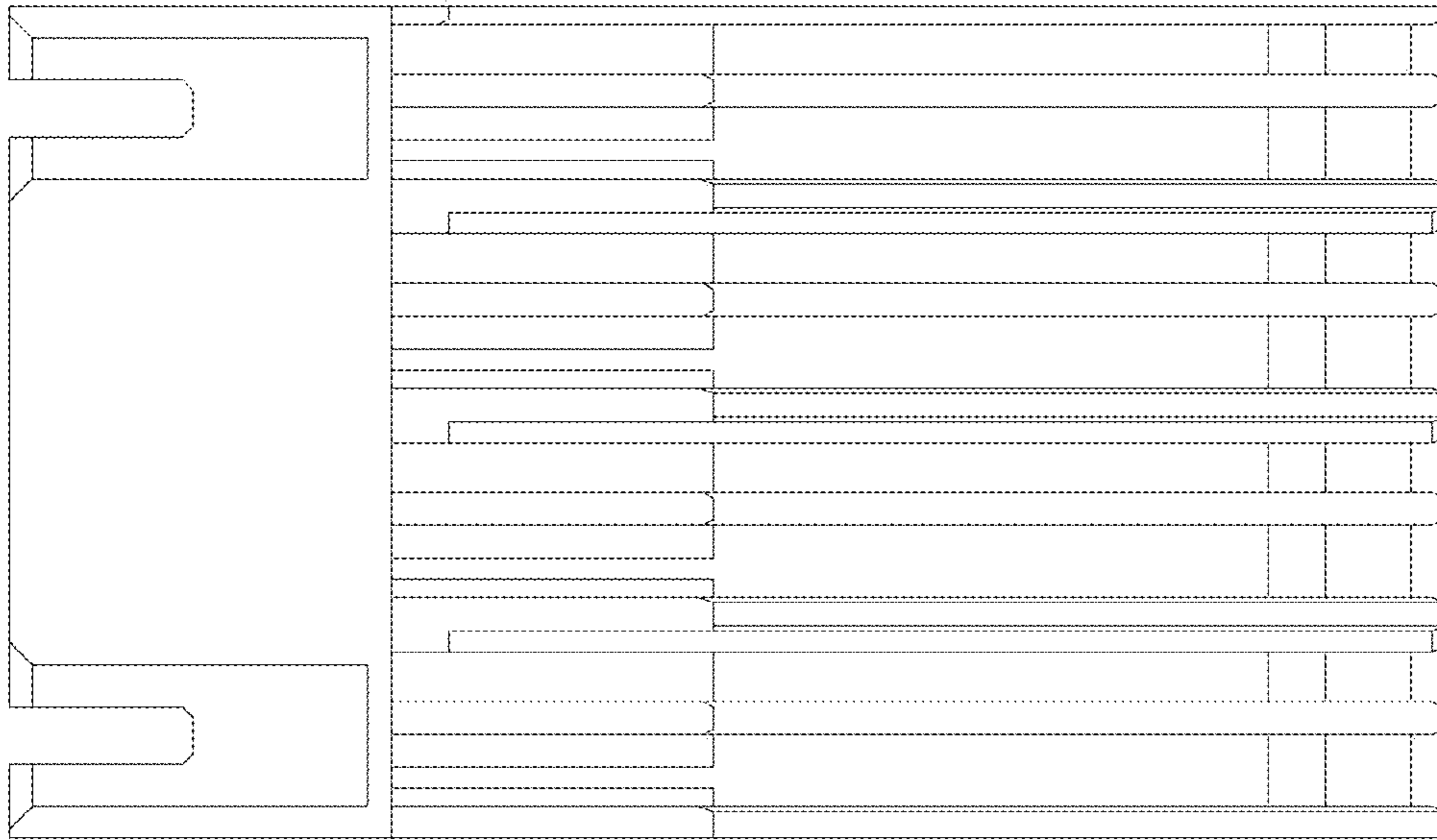


Fig.10



Fig.9

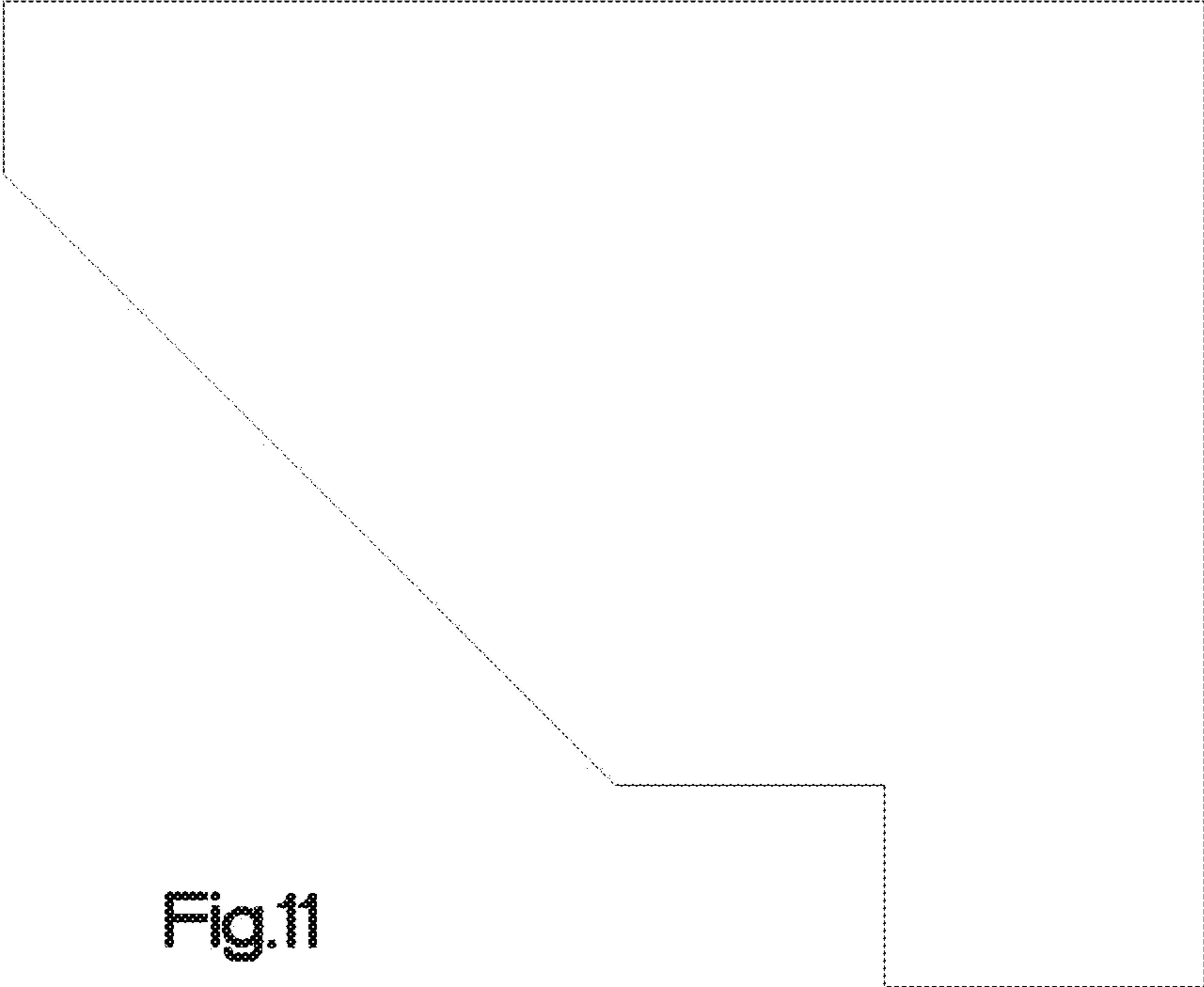


Fig.11

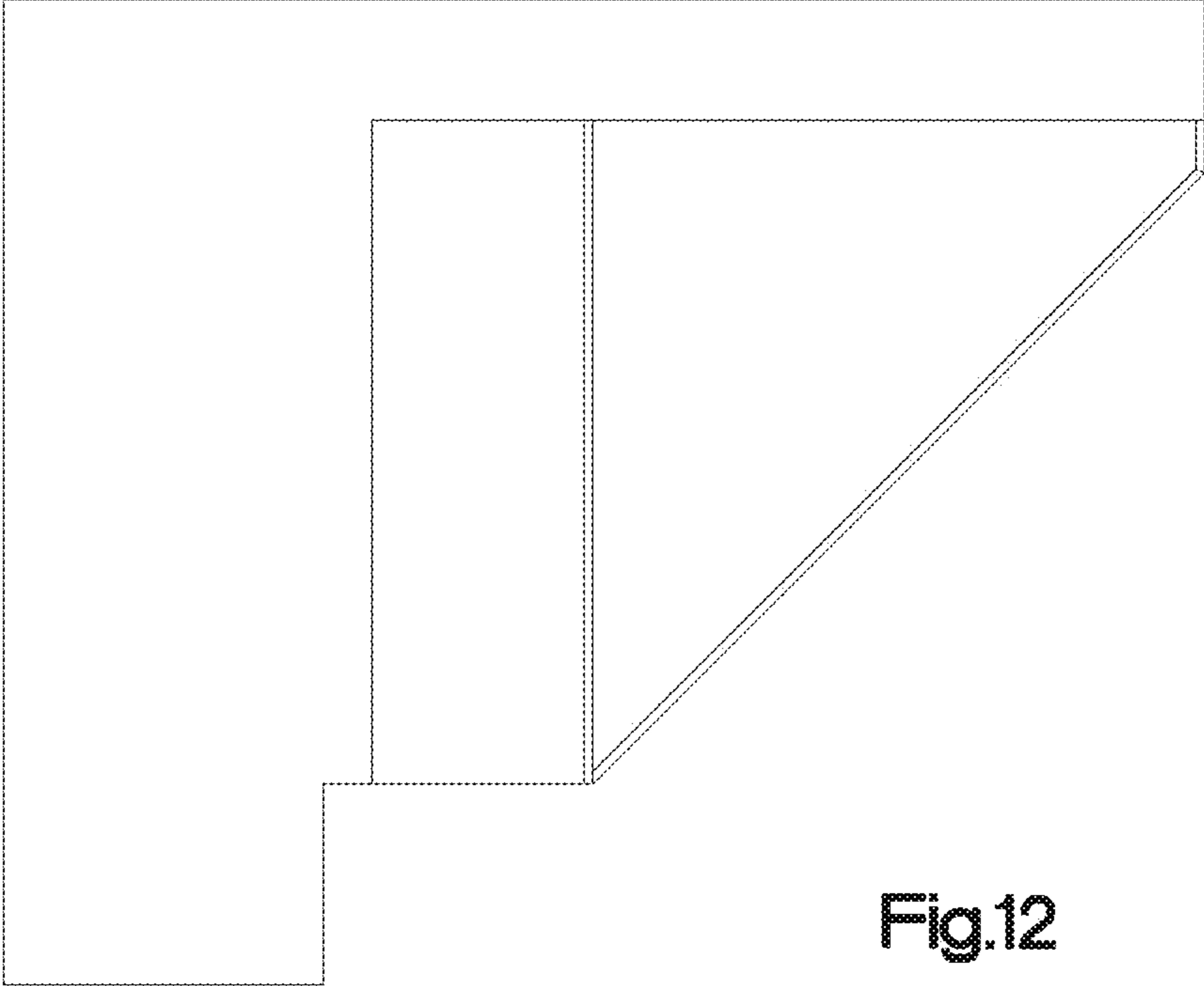


Fig.12