



US00D712840S

(12) **United States Design Patent**  
**Sykes et al.**

(10) **Patent No.:** **US D712,840 S**

(45) **Date of Patent:** **\*\* Sep. 9, 2014**

(54) **COAXIAL CONNECTOR**

(75) Inventors: **Michael Timothy Sykes**,  
Mechanicsburg, PA (US); **Mattia**  
**Scheggia**, Como (IT); **Keith Richard**  
**Foltz**, Duncannon, PA (US); **Michael J.**  
**Block**, Carlisle, PA (US); **Kevin E.**  
**Weidner**, Hummelstown, PA (US);  
**Jeffrey K. Orner**, Boiling Springs, PA  
(US); **Tim R. Chevalier**, Cleona, PA  
(US)

(73) Assignees: **Tyco Electronics Corporation**, Berywn,  
PA (US); **Tyco Electronics Logistics**  
**AG**, Steinach (CH)

(\*\*) Term: **14 Years**

(21) Appl. No.: **29/405,154**

(22) Filed: **Oct. 28, 2011**

(51) **LOC (10) Cl.** ..... **13-03**

(52) **U.S. Cl.**

USPC ..... **D13/151**

(58) **Field of Classification Search**

USPC ..... D13/151, 133, 149, 150, 153, 154, 156,  
D13/184, 199; 439/578, 579, 580, 581, 582,  
439/583, 584, 585, 694, 695, 944

See application file for complete search history.

(56) **References Cited**

**U.S. PATENT DOCUMENTS**

D211,175 S \* 5/1968 Cappon ..... D13/151  
D216,798 S \* 3/1970 Cappon ..... D13/151  
D314,941 S \* 2/1991 Amachi et al. .... D13/133  
D343,802 S \* 2/1994 Kornowski et al. .... D10/80  
6,113,431 A \* 9/2000 Wong ..... 439/638

D581,364 S \* 11/2008 Cummings et al. .... D13/151  
D586,756 S \* 2/2009 Magnuson et al. .... D13/154  
D599,743 S \* 9/2009 Inayoshi et al. .... D13/151  
D620,888 S \* 8/2010 Svelnis et al. .... D13/133  
D621,355 S \* 8/2010 Svelnis ..... D13/133  
D639,250 S \* 6/2011 Svelnis et al. .... D13/154  
D659,099 S \* 5/2012 Svelnis et al. .... D13/151  
D659,100 S \* 5/2012 Deiss ..... D13/151  
2011/0045694 A1 \* 2/2011 Chee ..... 439/578

\* cited by examiner

*Primary Examiner* — Derrick Holland

(57) **CLAIM**

The ornamental design of a coaxial connector, as shown and described.

**DESCRIPTION**

This application claims the benefit of U.S. patent application having Ser. No. 13/284,553 and titled Coaxial Connector filed on the same day, claims the benefit of U.S. patent application having Ser. No. 13/284,577 and titled Coaxial Connector filed on the same day, and claims the benefit of U.S. Design patent application having Ser. No. 29/405,151 and titled Coaxial Connector filed on the same day, the subject matter of each of which are herein incorporated by reference in their entirety.

FIG. 1 is a front perspective view of a coaxial connector showing our new design.

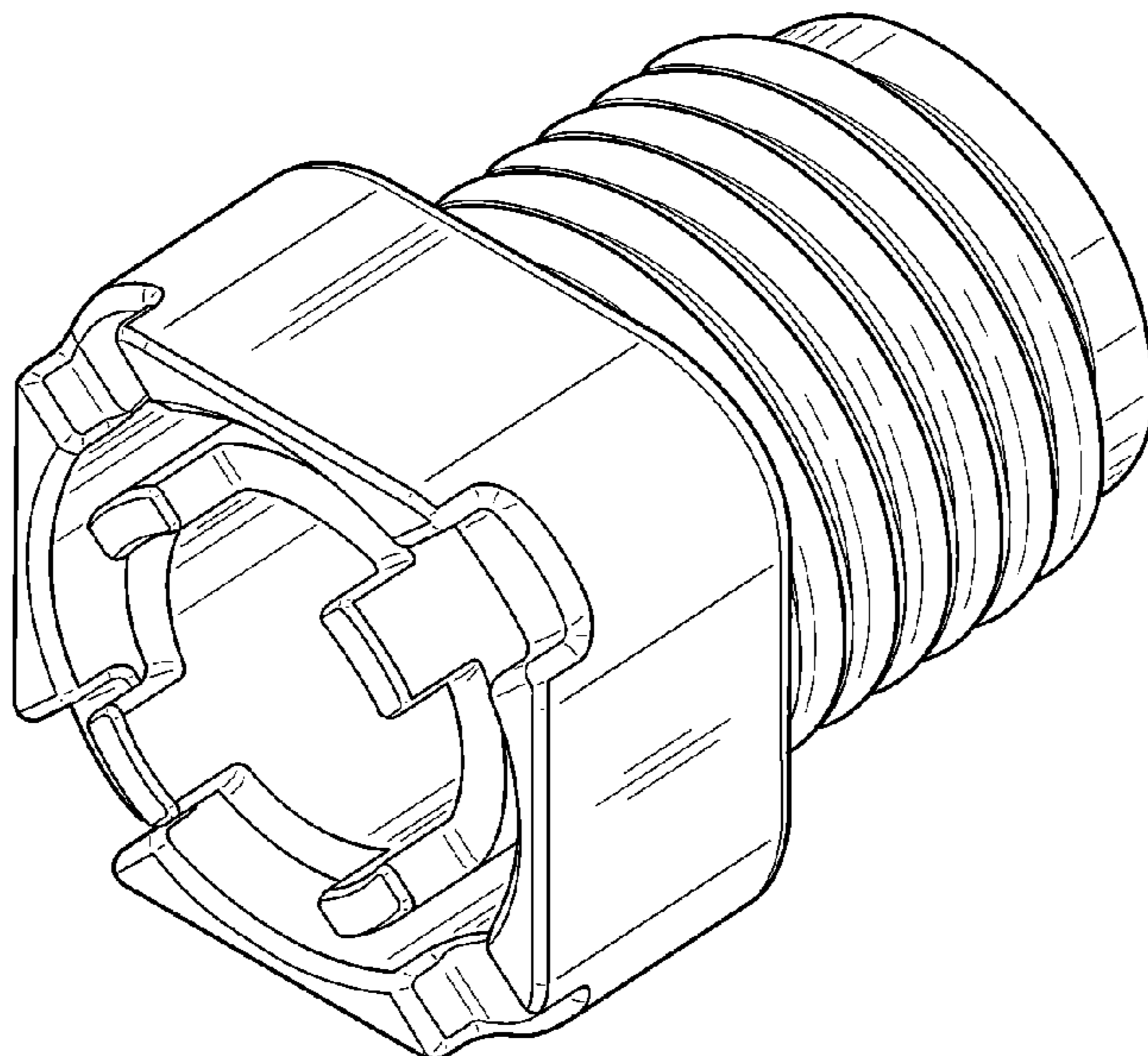
FIG. 2 is a back perspective view of the coaxial connector shown in FIG. 1.

FIG. 3 is a side view of the coaxial connector shown in FIG. 1.

FIG. 4 is a front view of the coaxial connector shown in FIG. 1; and,

FIG. 5 is a back view of the coaxial connector shown in FIG. 1.

**1 Claim, 3 Drawing Sheets**



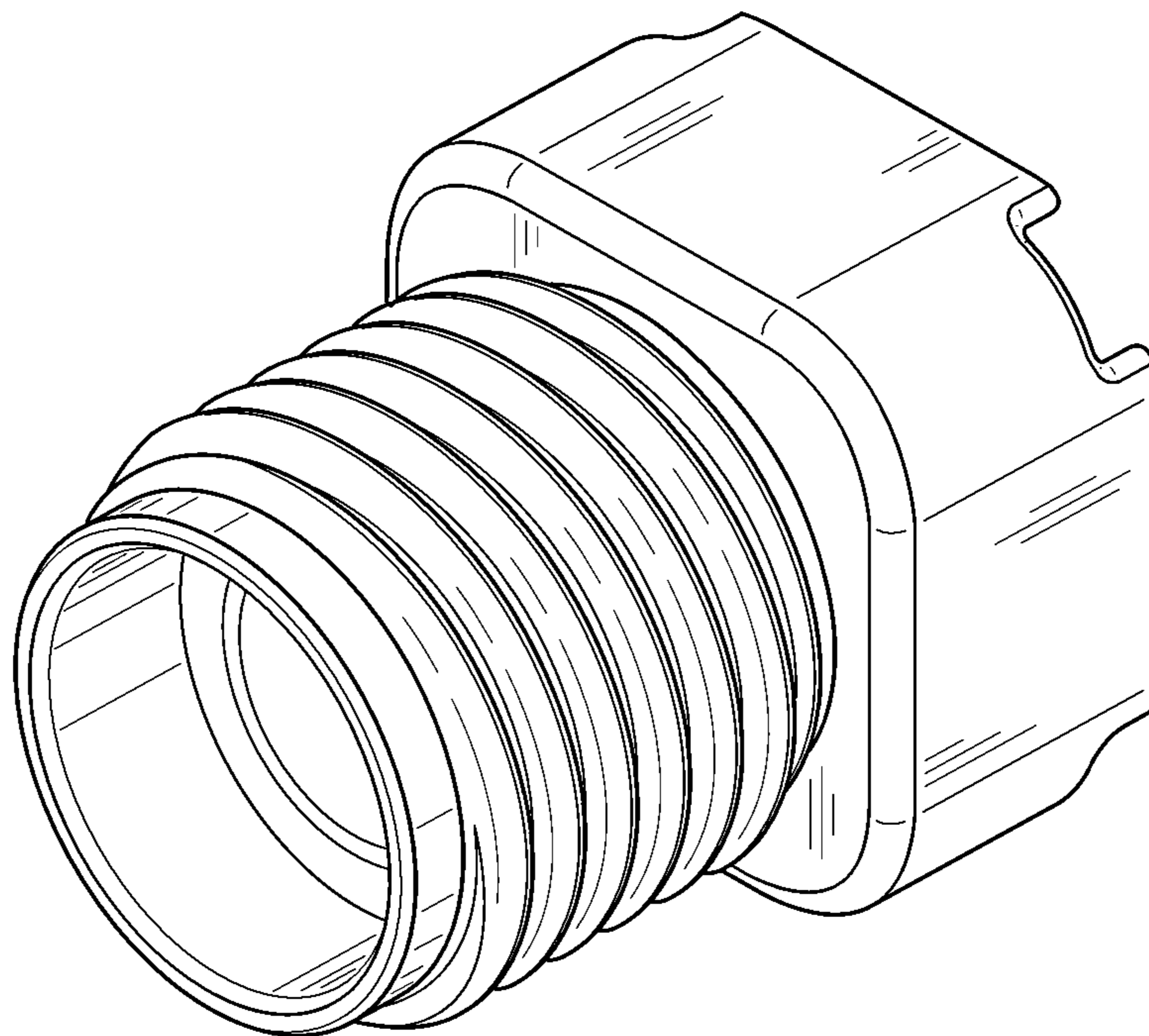


FIG. 1

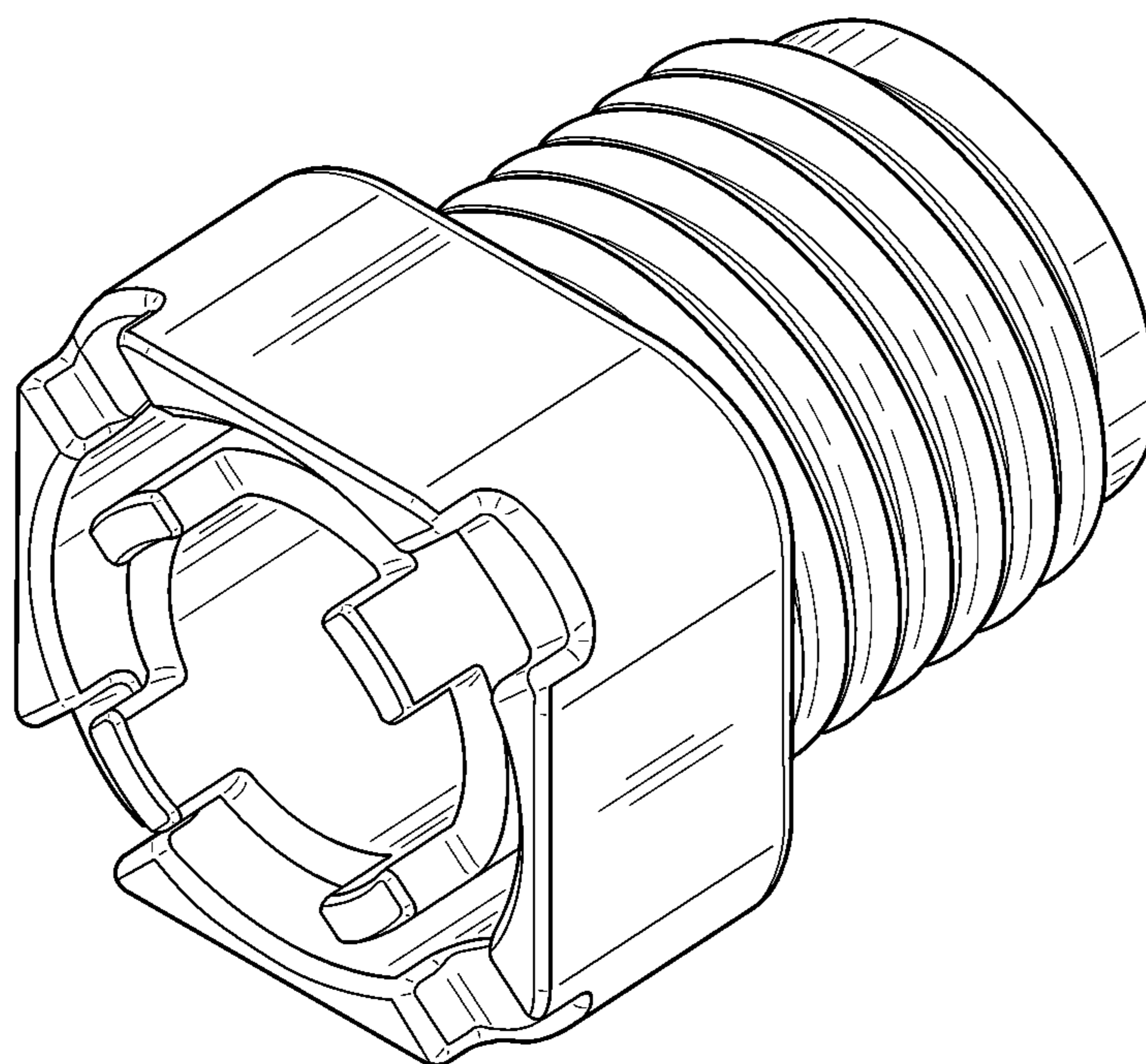


FIG. 2

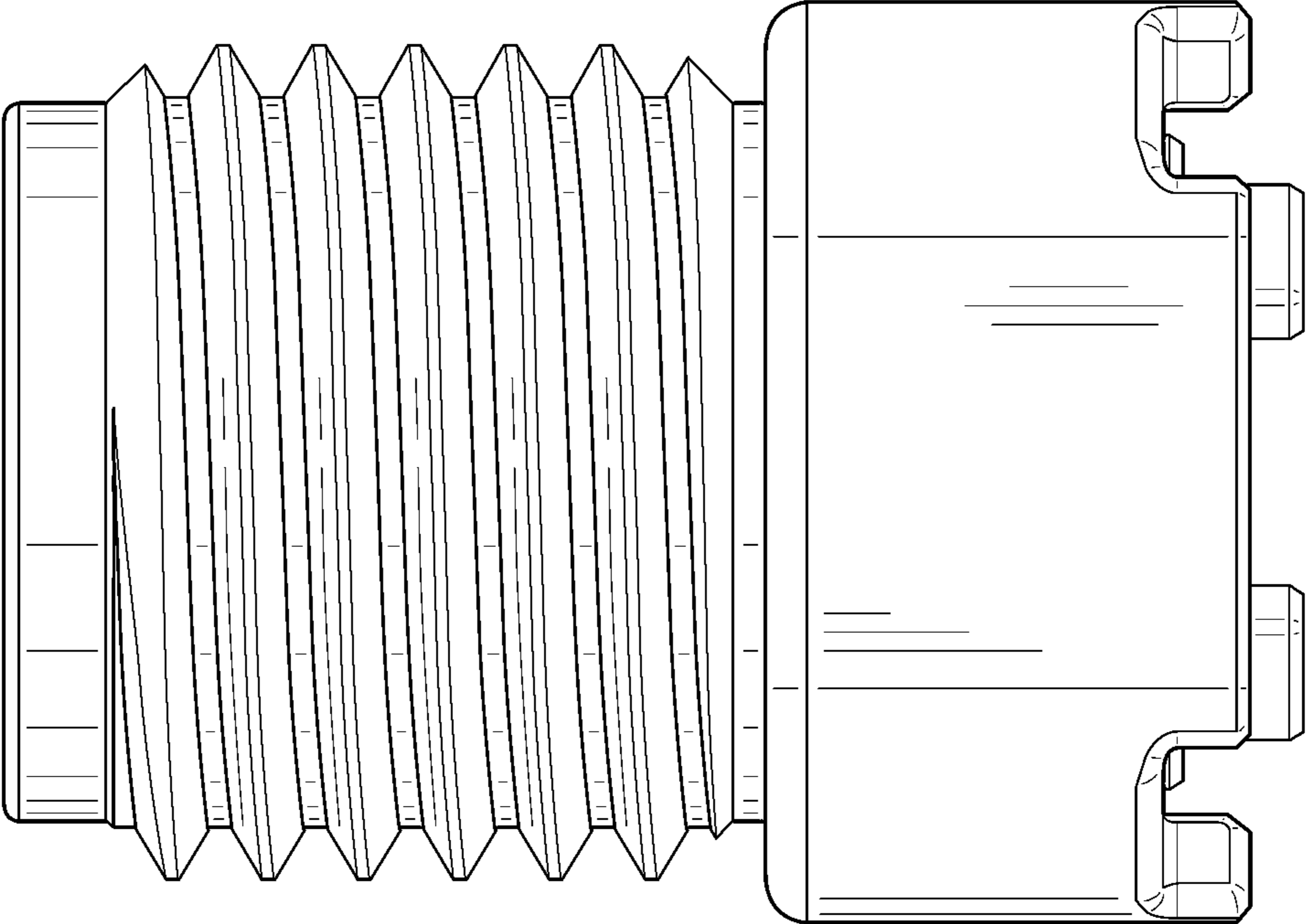


FIG. 3



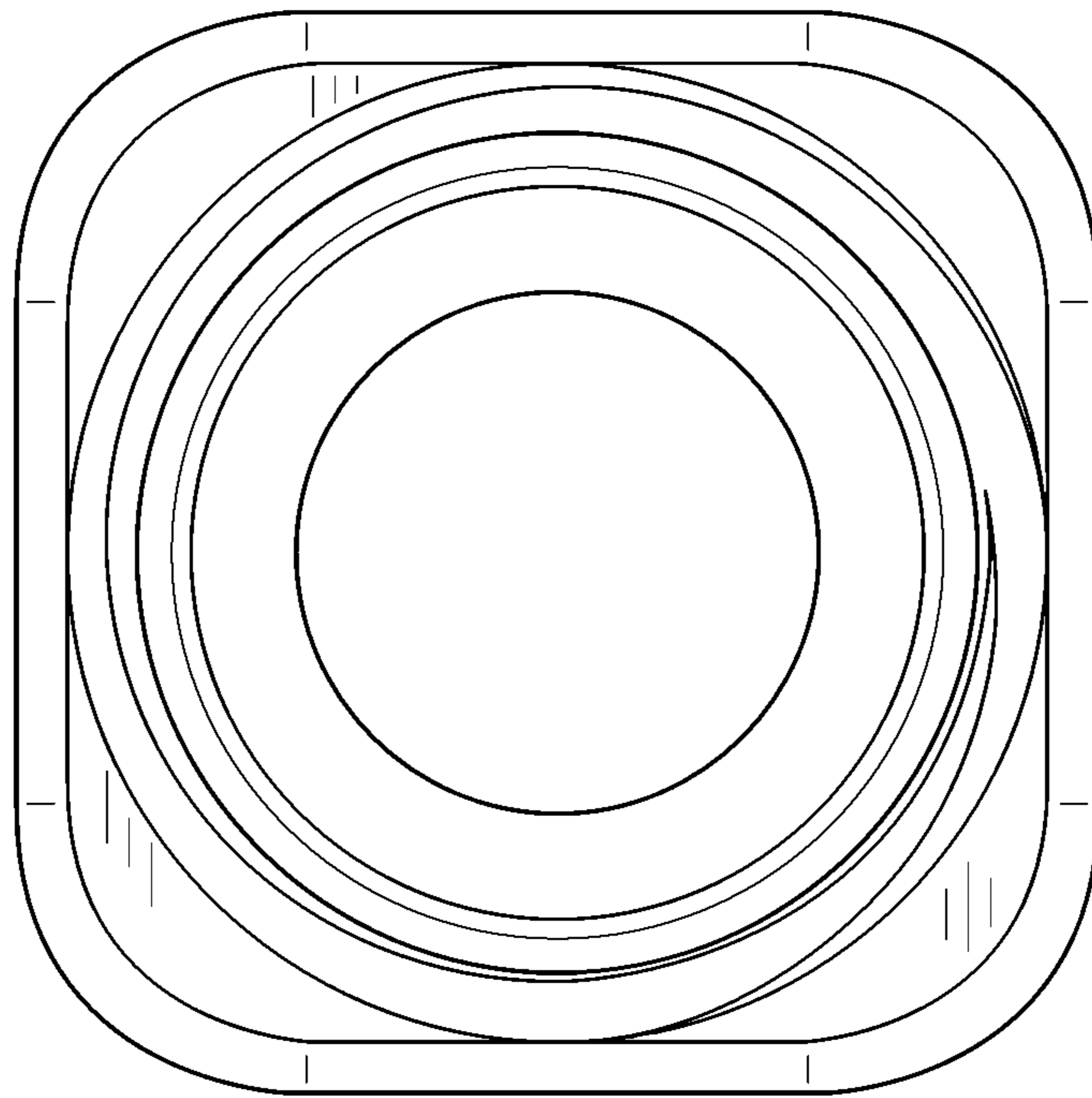


FIG. 4

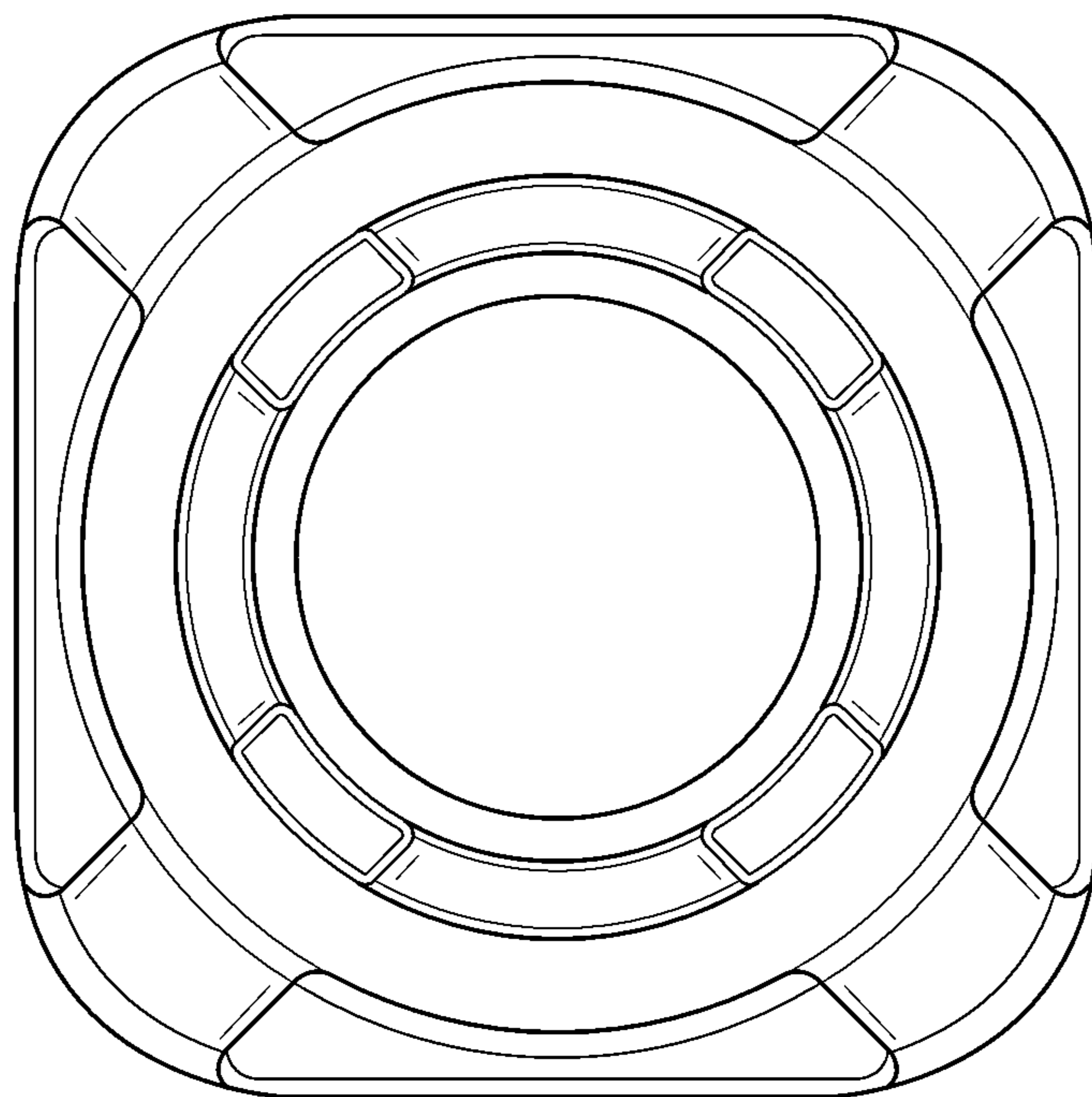


FIG. 5