



US00D712839S

(12) **United States Design Patent**  
**Lee et al.**

(10) **Patent No.:** **US D712,839 S**  
(45) **Date of Patent:** **\*\* Sep. 9, 2014**

(54) **UNIVERSAL SERIAL BUS CONNECTOR**

(71) Applicant: **Samsung Electronics Co., Ltd.**,  
Suwon-si (KR)

(72) Inventors: **Se-O Lee**, Sungname-Si (KR); **Sang-II Park**, Namyangju-Si (KR)

(73) Assignee: **Samsung Electronics Co., Ltd.**,  
Suwon-si (KR)

(\*\*) Term: **14 Years**

(21) Appl. No.: **29/466,472**

(22) Filed: **Sep. 9, 2013**

(30) **Foreign Application Priority Data**

Mar. 8, 2013 (KR) ..... 30-2013-0011837

(51) **LOC (10) Cl.** ..... **13-03**

(52) **U.S. Cl.**  
USPC ..... **D13/147**

(58) **Field of Classification Search**  
CPC ..... H05H 5/0278; H05H 7/1454; G06K  
19/07732

USPC ..... D14/411, 433, 435.1, 436, 480.1–480.7,  
D14/484.1, 137, 155, 203.1–203.8, 240,  
D14/242; D13/133, 146–147, 154, 184;  
439/79, 248, 607.34, 607.41, 640, 660

See application file for complete search history.

(56) **References Cited**

**U.S. PATENT DOCUMENTS**

D172,768 S \* 8/1954 Stevens ..... D13/146  
D242,720 S \* 12/1976 Loforese ..... D13/146  
D390,829 S \* 2/1998 Kato ..... D13/147  
D436,927 S \* 1/2001 Hogan ..... D13/153  
D446,778 S \* 8/2001 Feucht ..... D13/154  
6,490,163 B1 \* 12/2002 Pua et al. .... 361/737  
D480,688 S \* 10/2003 Lin ..... D13/147  
D486,829 S \* 2/2004 Wang et al. .... D14/480.5

6,948,983 B1 \* 9/2005 Peng ..... 439/660  
D516,030 S \* 2/2006 Han et al. .... D13/147  
D561,184 S \* 2/2008 Kozenitzky et al. .... D14/480.1  
D586,293 S \* 2/2009 Fujino ..... D13/133  
D589,455 S \* 3/2009 Wu et al. .... D13/147  
D601,502 S \* 10/2009 Miyatake et al. .... D13/133  
D609,184 S \* 2/2010 Liu ..... D13/147  
7,780,462 B2 \* 8/2010 Consoli et al. .... 439/108  
D623,143 S \* 9/2010 Amidon ..... D13/154

(Continued)

**OTHER PUBLICATIONS**

Beth Ann & Jessica's Helpful Savings: 1SaleADay: Linksys Wireless USB Antenna \$7.99, [online] Feb. 25, 2012 [retrieved on Mar. 21, 2013]. Retrieved from the Internet <URL: <http://www.bethannshelpfulsavings.com/2012/02/1saleaday-linksys-wireless-usb-antenna.html>>.\*

(Continued)

*Primary Examiner* — Karen E Kearney

(74) *Attorney, Agent, or Firm* — NSIP Law

(57) **CLAIM**

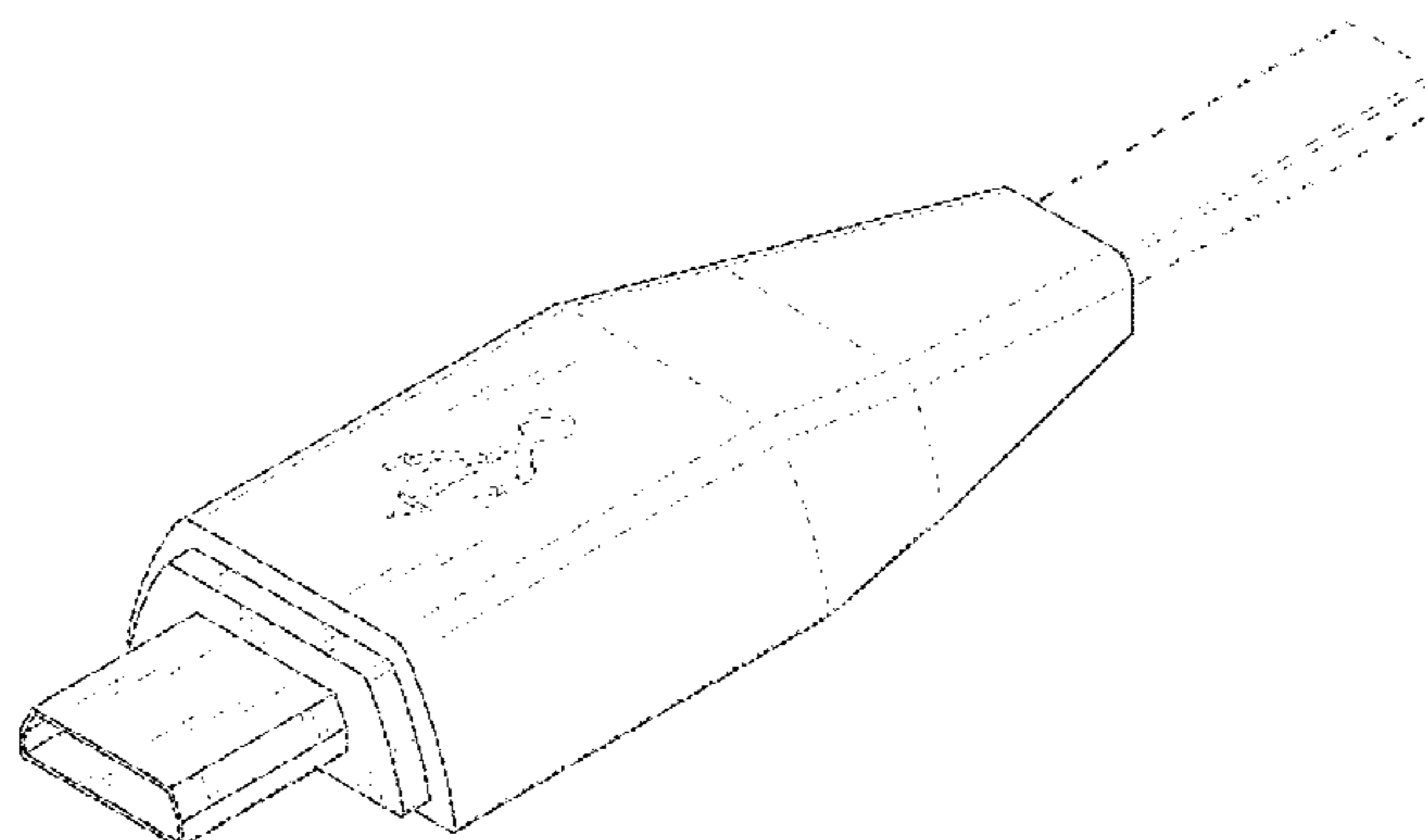
The ornamental design for a universal serial bus connector, as shown and described.

**DESCRIPTION**

FIG. 1 is a front perspective view of a universal serial bus connector showing our new design; FIG. 2 is a front view thereof; FIG. 3 is a rear view thereof; FIG. 4 is a left-side view thereof; FIG. 5 is a right-side view thereof; FIG. 6 is a top view thereof; and, FIG. 7 is a bottom view thereof.

The broken line showings of the USB indicia and cable are included for the purpose of illustrating portions of the universal serial bus connector and form no part of the claimed design.

**1 Claim, 5 Drawing Sheets**



(56)

**References Cited**

U.S. PATENT DOCUMENTS

D625,730 S \* 10/2010 Cacioppo et al. .... D14/435.1  
D635,931 S \* 4/2011 Amidon ..... D13/154  
D635,933 S \* 4/2011 Amidon ..... D13/154  
7,975,375 B2 \* 7/2011 Collet et al. .... 29/825  
D644,611 S \* 9/2011 Sasaki et al. .... D13/147  
D644,994 S \* 9/2011 Amidon ..... D13/147  
D668,614 S \* 10/2012 Amidon ..... D13/147  
D688,247 S \* 8/2013 Girotti et al. .... D14/435.1

2005/0009404 A1\* 1/2005 Lee ..... 439/638  
2010/0227504 A1\* 9/2010 Wang et al. .... 439/607.41  
2011/0199729 A1\* 8/2011 Hsieh ..... 361/679.33  
2013/0295782 A1\* 11/2013 Goel ..... 439/40

OTHER PUBLICATIONS

Walle—PQI Group, [online], [retrieved on Jan. 6, 2014]. Retrieved from the Internet <URL: [http://www.pqigroup.com/prod\\_in.aspx?mnuid=1286&modid=138&prodid=571](http://www.pqigroup.com/prod_in.aspx?mnuid=1286&modid=138&prodid=571)>.\*

\* cited by examiner

FIG. 1

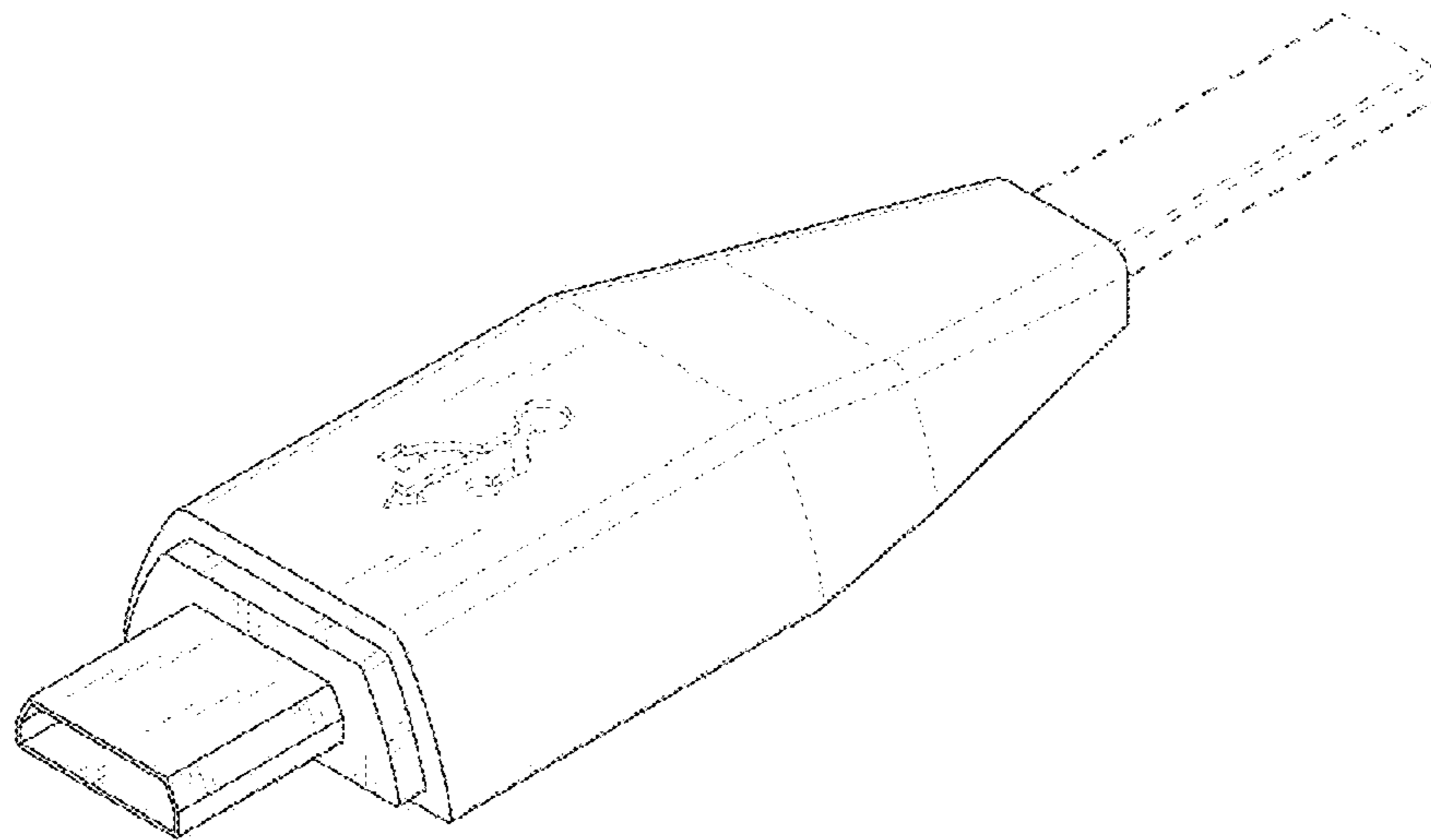


FIG. 2

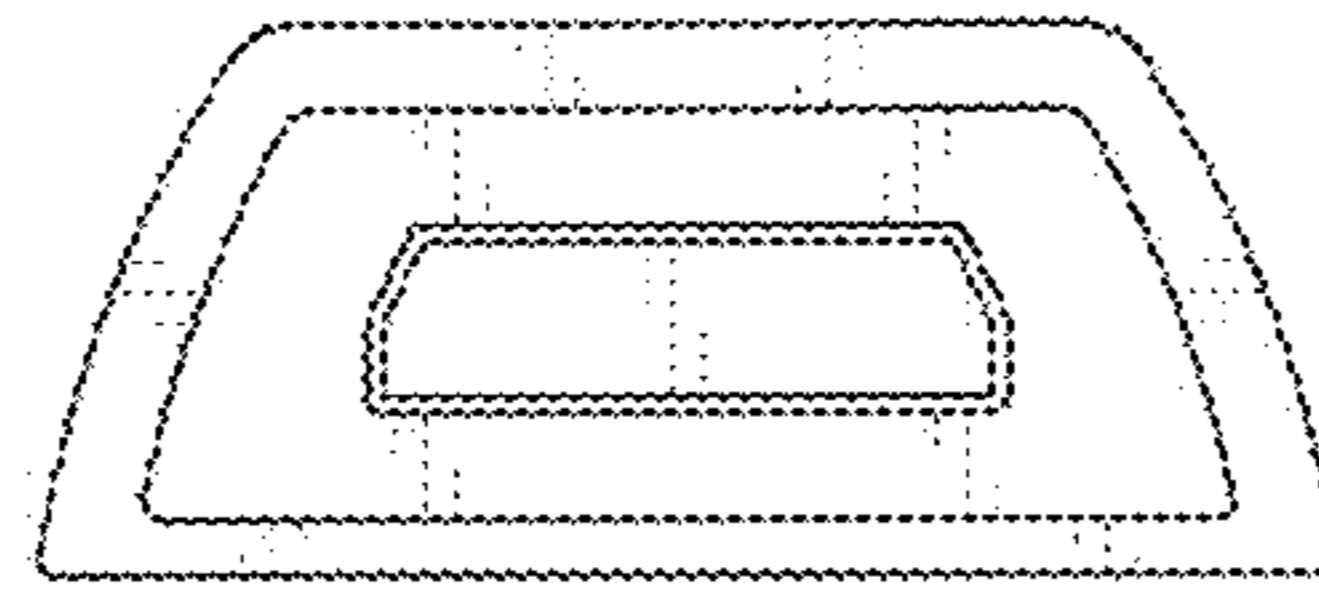


FIG. 3

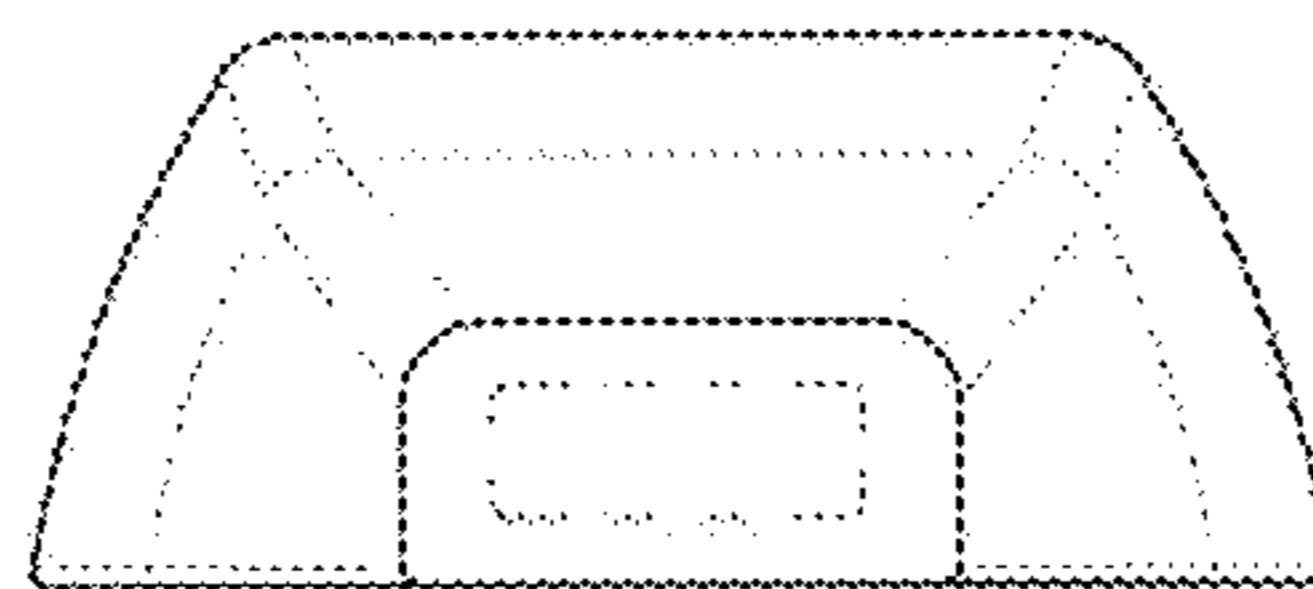


FIG. 4

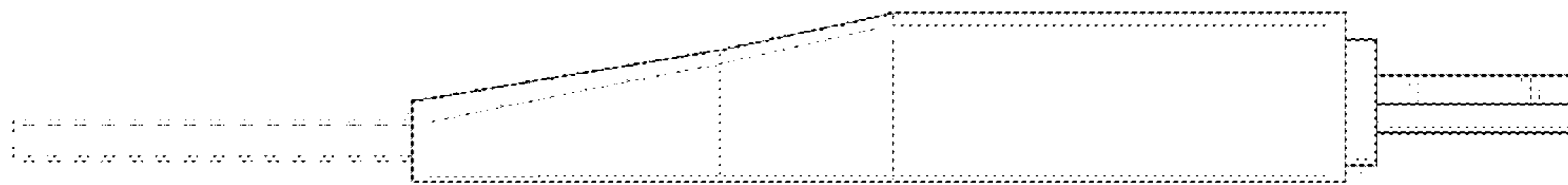


FIG. 5

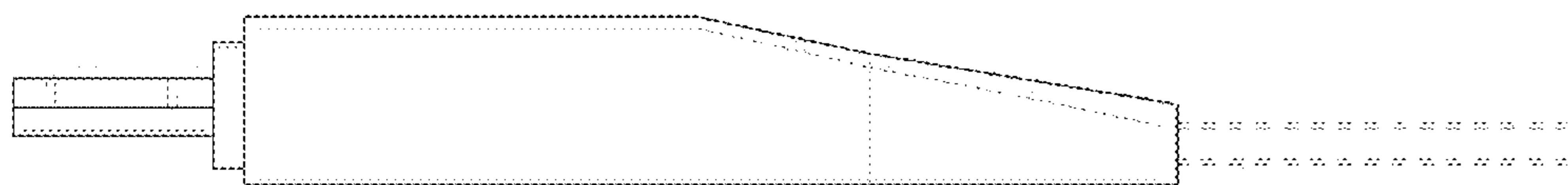


FIG. 6

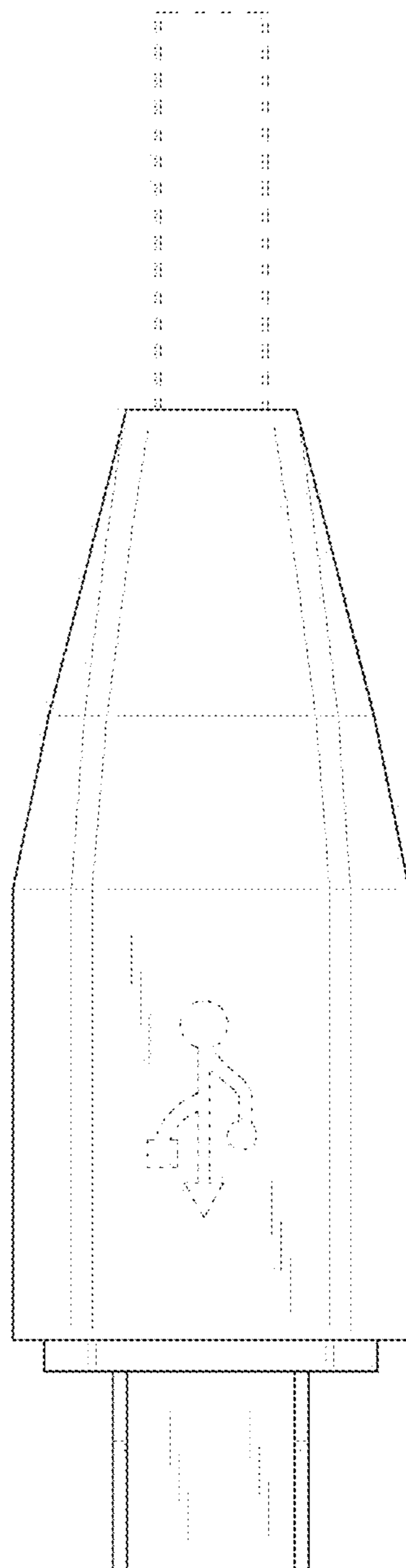


FIG. 7

