



US00D712836S

(12) **United States Design Patent**
Lee et al.

(10) **Patent No.:** **US D712,836 S**
(45) **Date of Patent:** **** Sep. 9, 2014**

(54) **POWER SUPPLY PLUG**
(71) Applicant: **Samsung Electronics Co., Ltd.**,
Suwon-si (KR)
(72) Inventors: **Byong-Jeon Lee**, Seoul (KR);
Dong-Hyun Lim, Yongin-si (KR)
(73) Assignee: **Samsung Electronics Co., Ltd.** (KR)
(**) Term: **14 Years**

D629,752 S *	12/2010	Akana et al.	D13/147
D630,582 S *	1/2011	Dai et al.	D13/146
D632,261 S *	2/2011	Andre et al.	D13/154
D639,748 S *	6/2011	Akana et al.	D13/154
D671,898 S *	12/2012	Andre et al.	D13/154
D676,812 S *	2/2013	Smith et al.	D13/146
D678,202 S *	3/2013	Corona	D13/133
D678,204 S *	3/2013	Corona	D13/133
D685,742 S *	7/2013	Akana et al.	D13/147
D691,563 S *	10/2013	Yong et al.	D13/147
D698,316 S *	1/2014	Yong et al.	D13/147

* cited by examiner

(21) Appl. No.: **29/454,343**
(22) Filed: **May 9, 2013**

Primary Examiner — Thomas Johannes
Assistant Examiner — Khawaja Anwar
(74) *Attorney, Agent, or Firm* — Cantor Colburn LLP

(30) **Foreign Application Priority Data**
Nov. 12, 2012 (KR) 30-2012-0053879

(51) **LOC (10) Cl.** **13-03**
(52) **U.S. Cl.**
USPC **D13/133**

(58) **Field of Classification Search**
USPC D13/133, 146, 147, 154, 184, 199;
439/350, 352, 439, 447, 582, 607.01,
439/607.04, 607.05, 607.17, 607.25,
439/607.34, 607.53, 607.41, 660, 677, 680,
439/682, 892, 894
See application file for complete search history.

(56) **References Cited**
U.S. PATENT DOCUMENTS

D349,099 S *	7/1994	Robertson et al.	D13/147
D618,178 S *	6/2010	Andre et al.	D13/147

(57) **CLAIM**
The ornamental design for a power supply plug, as shown and described.

DESCRIPTION
FIG. 1 is a perspective view of a connector showing our new design;
FIG. 2 is a front view thereof;
FIG. 3 is a rear view thereof;
FIG. 4 is a left side view thereof;
FIG. 5 is a right side view thereof;
FIG. 6 is a top plan view thereof;
FIG. 7 is a bottom plan view thereof; and,
FIG. 8 is a perspective view thereof, showing in use.
The broken lines in the drawings show unclaimed environment only and form no part of the claimed design.

1 Claim, 8 Drawing Sheets

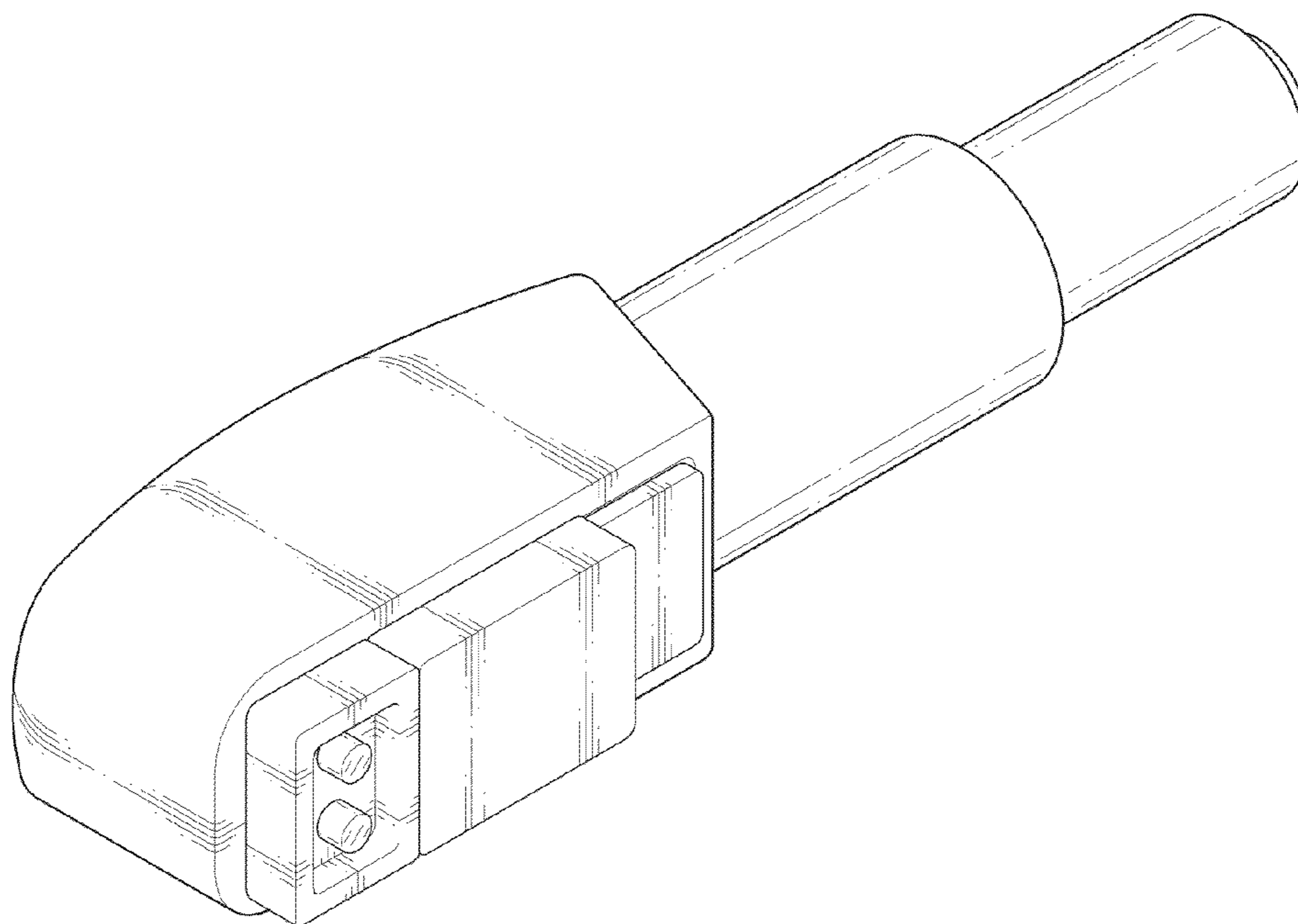


FIG. 1

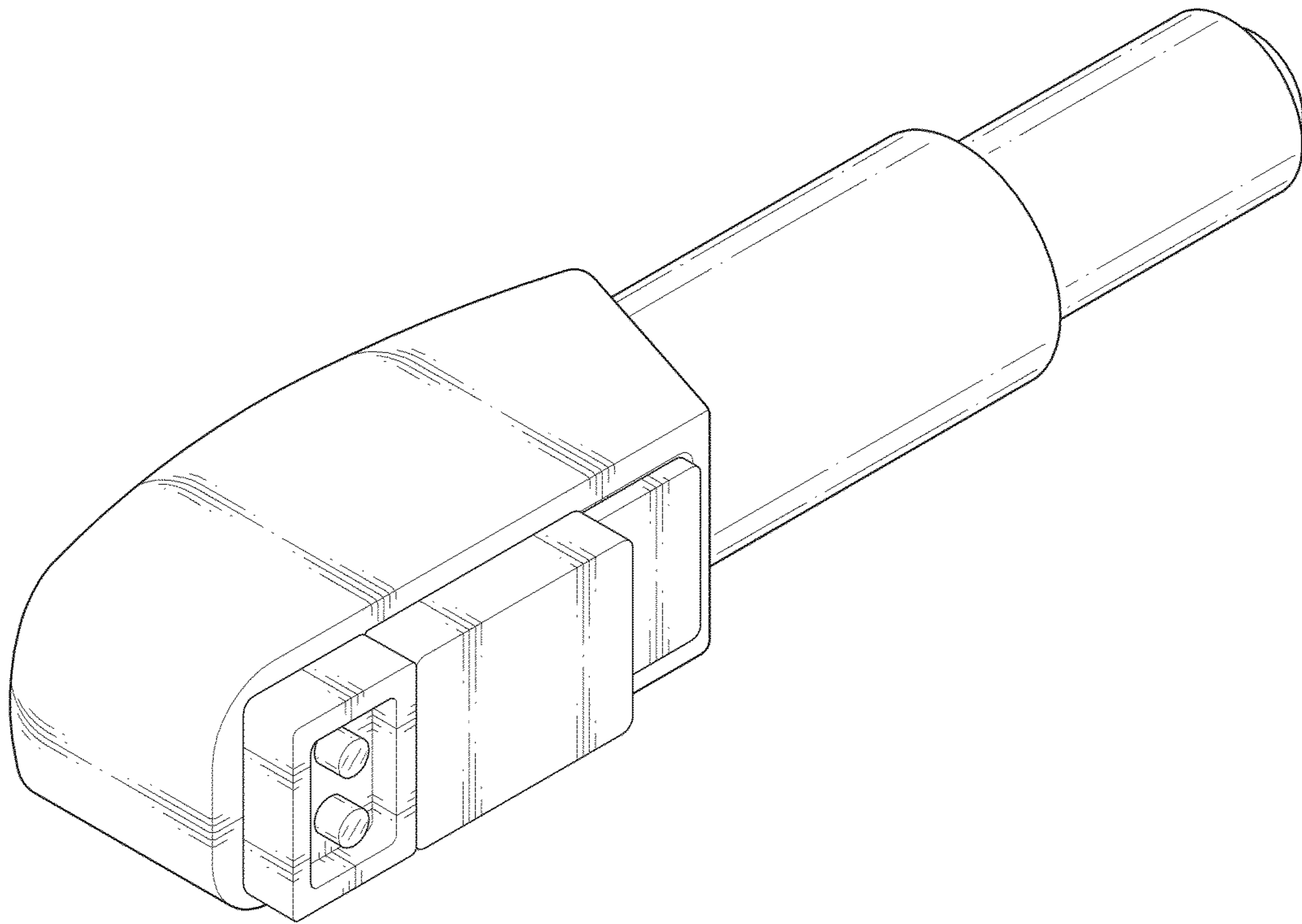


FIG. 2

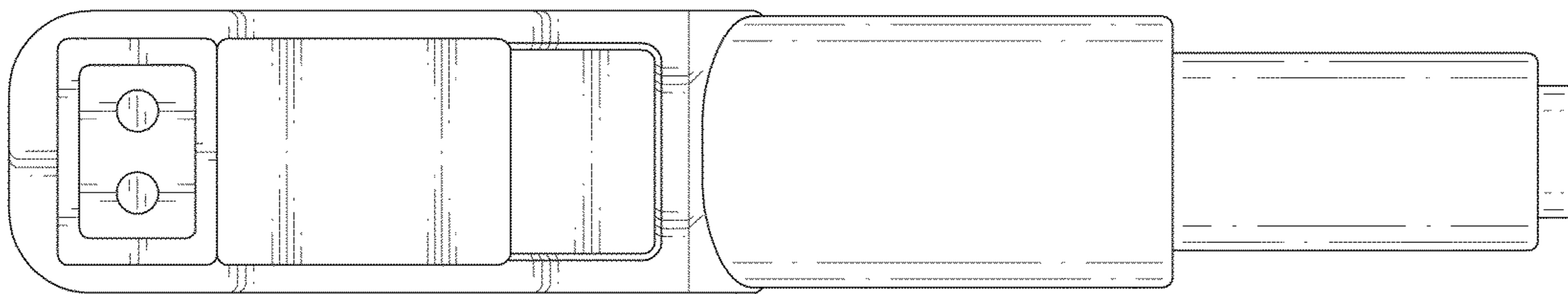


FIG. 3

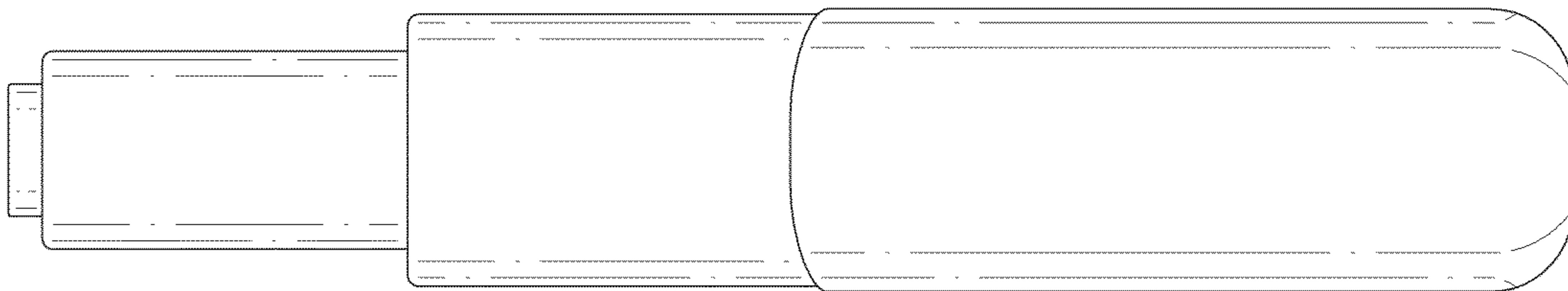


FIG. 4

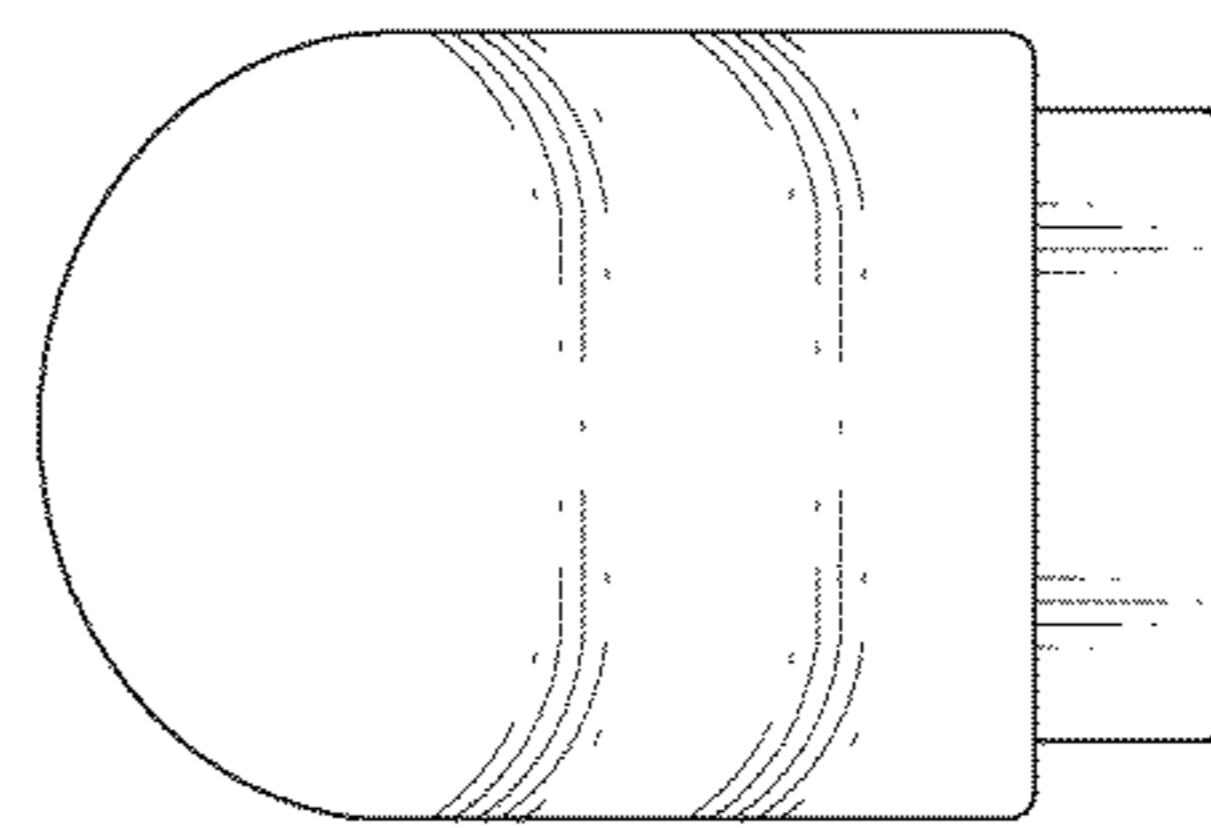


FIG. 5

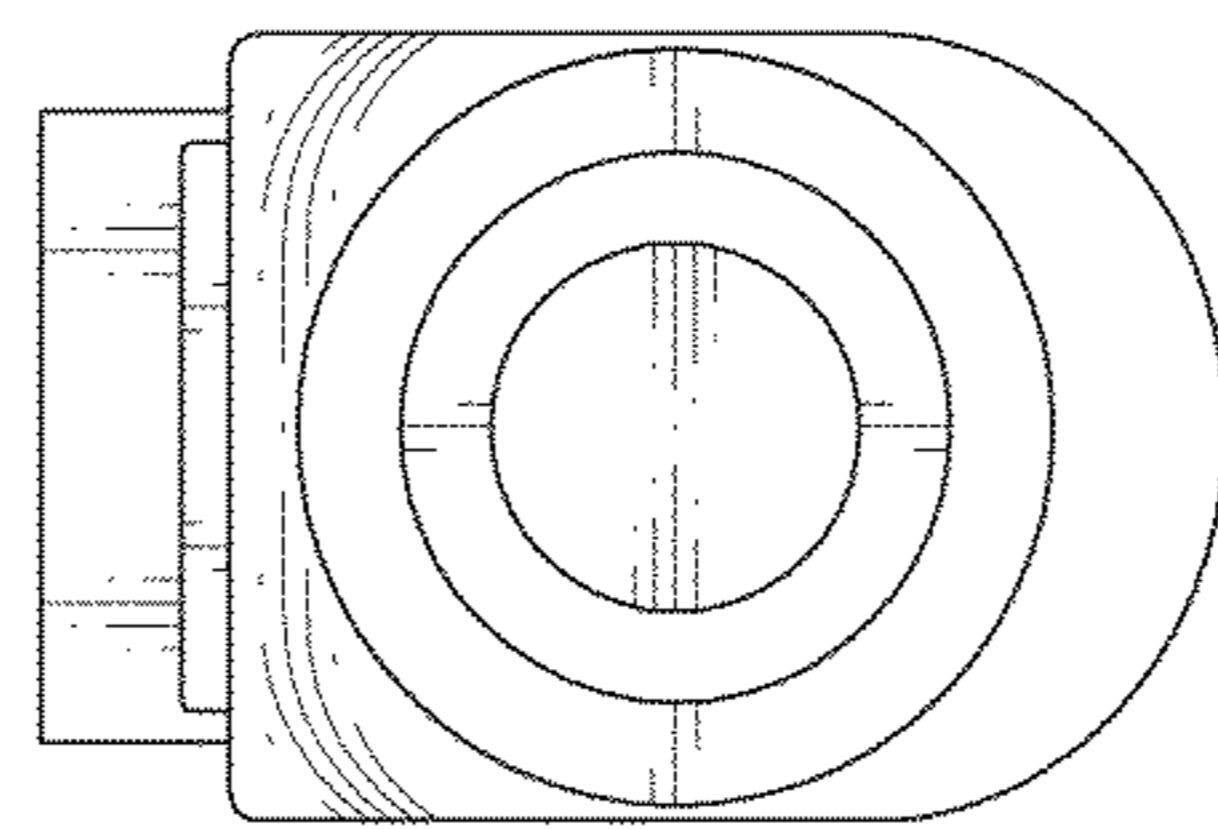


FIG. 6

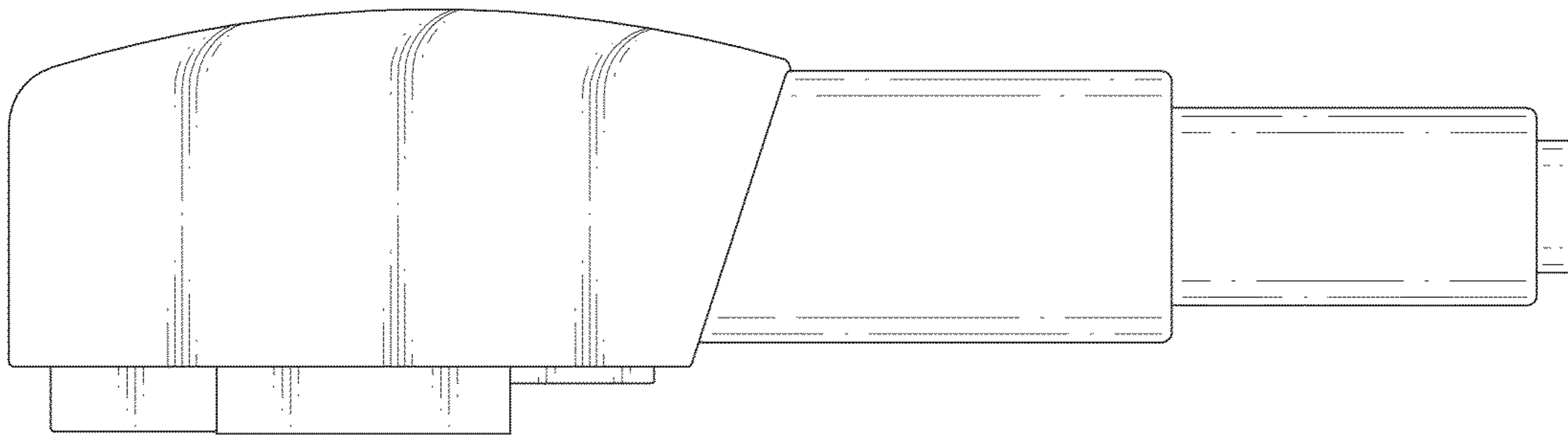


FIG. 7

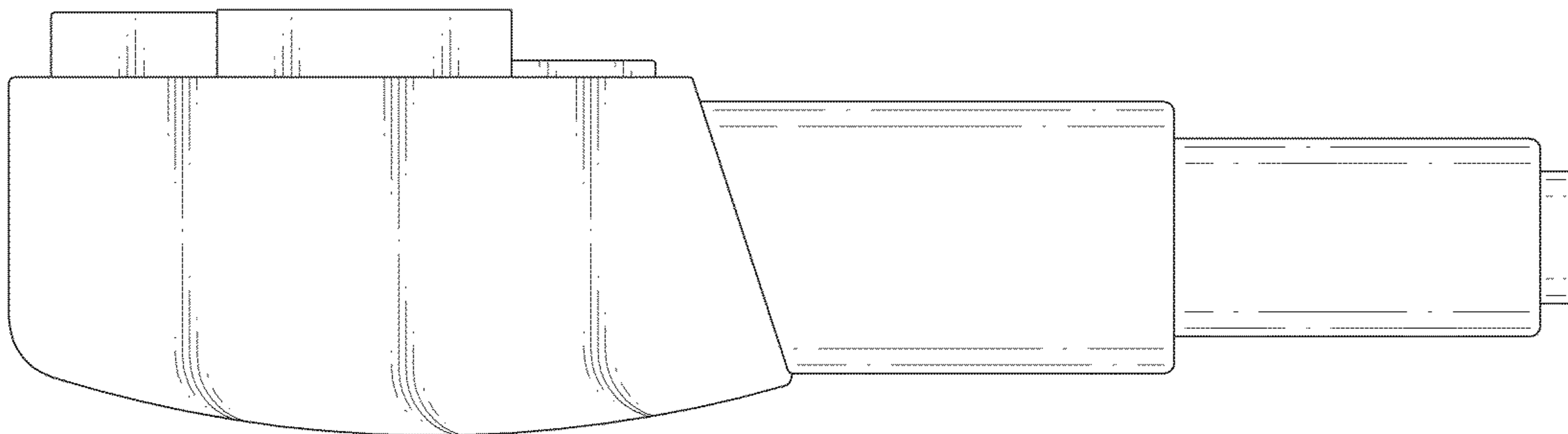


FIG. 8

