



US00D712835S

(12) **United States Design Patent**
Yasuda et al.

(10) **Patent No.:** **US D712,835 S**
(45) **Date of Patent:** **** Sep. 9, 2014**

(54) **CAPACITOR CELL**

(75) Inventors: **Kosuke Yasuda**, Chiba (JP); **Hiroshi Yoshida**, Chiba (JP)

(73) Assignee: **Nisshinbo Holdings Inc.**, Tokyo (JP)

(**) Term: **14 Years**

(21) Appl. No.: **29/429,116**

(22) Filed: **Aug. 7, 2012**

(30) **Foreign Application Priority Data**

Feb. 22, 2012 (JP) 2012-003640

(51) **LOC (10) Cl.** **13-03**

(52) **U.S. Cl.**
USPC **D13/125**

(58) **Field of Classification Search**

CPC H01G 11/26; H01G 11/58; H01G 11/62;
H01G 9/038; H01G 9/155; H01M 2/0245;

Y02E 60/12; Y02E 60/13

USPC D13/123-125, 133, 154; 361/271, 277,
361/301.1-301.4, 328-330, 763; 438/171,
438/190, 238, 239, 381, 386, 393, 396

See application file for complete search history.

(56) **References Cited**

U.S. PATENT DOCUMENTS

7,268,995	B2 *	9/2007	Yoshida et al.	361/502
D586,748	S *	2/2009	Horikoshi et al.	D13/125
D586,749	S *	2/2009	Horikoshi et al.	D13/125
D592,129	S *	5/2009	Masuda et al.	D13/103
D642,978	S *	8/2011	Sato et al.	D13/103
D644,176	S *	8/2011	Sato et al.	D13/119
D664,917	S *	8/2012	Taguchi	D13/103
2005/0233206	A1 *	10/2005	Puttaiah et al.	429/120
2010/0143786	A1 *	6/2010	Kim	429/158

* cited by examiner

Primary Examiner — Thomas Johannes

(74) *Attorney, Agent, or Firm* — Dickstein Shapiro LLP

(57) **CLAIM**

The ornamental design for a capacitor cell, as shown and described.

DESCRIPTION

FIG. 1 is a perspective view of a capacitor cell, according to our new design;

FIG. 2 is a front view thereof, the front view being identical thereto;

FIG. 3 is a top view thereof;

FIG. 4 is a right side view thereof, the right side view being identical thereto; and,

FIG. 5 is a bottom view thereof.

1 Claim, 5 Drawing Sheets

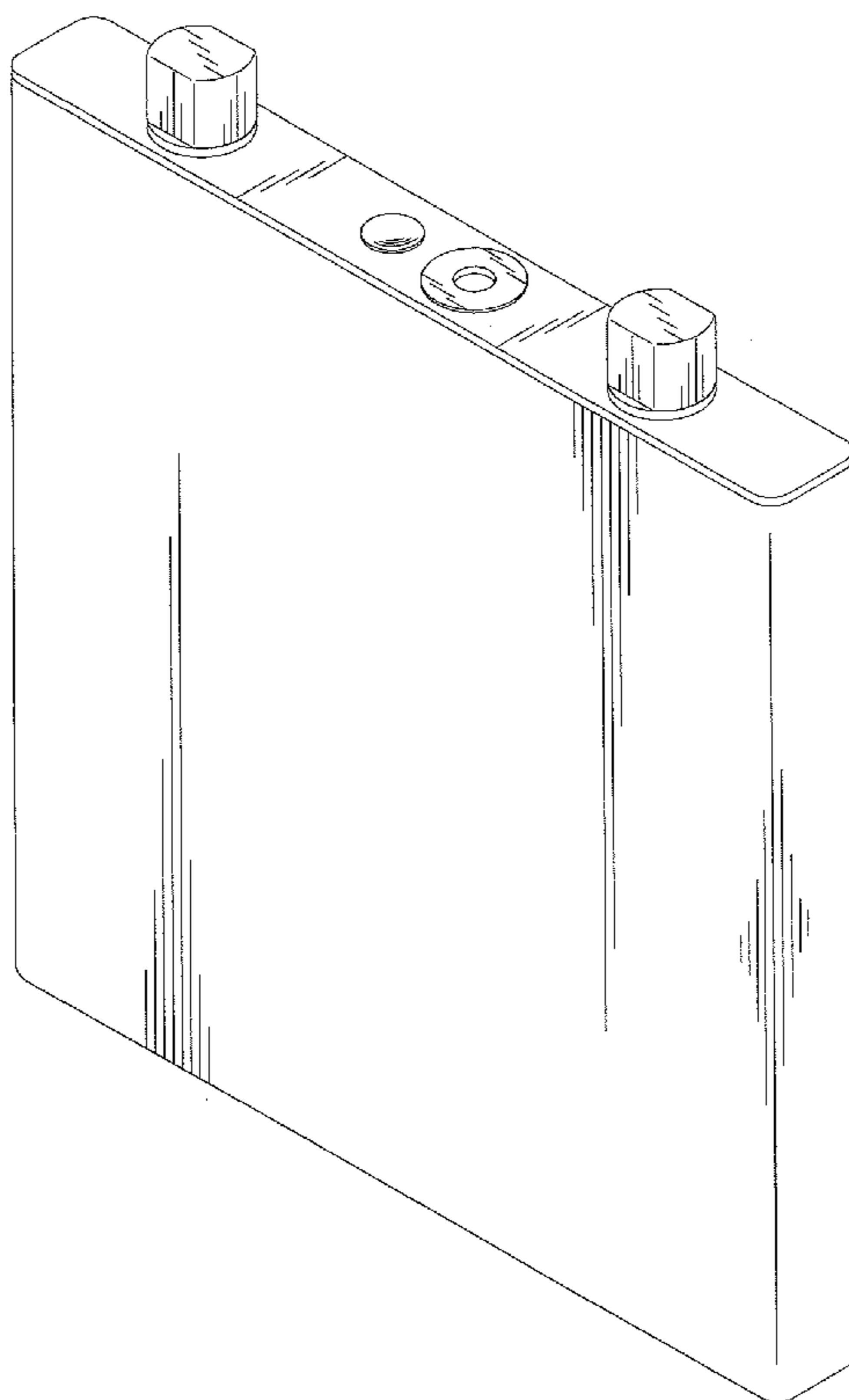


FIG. 1

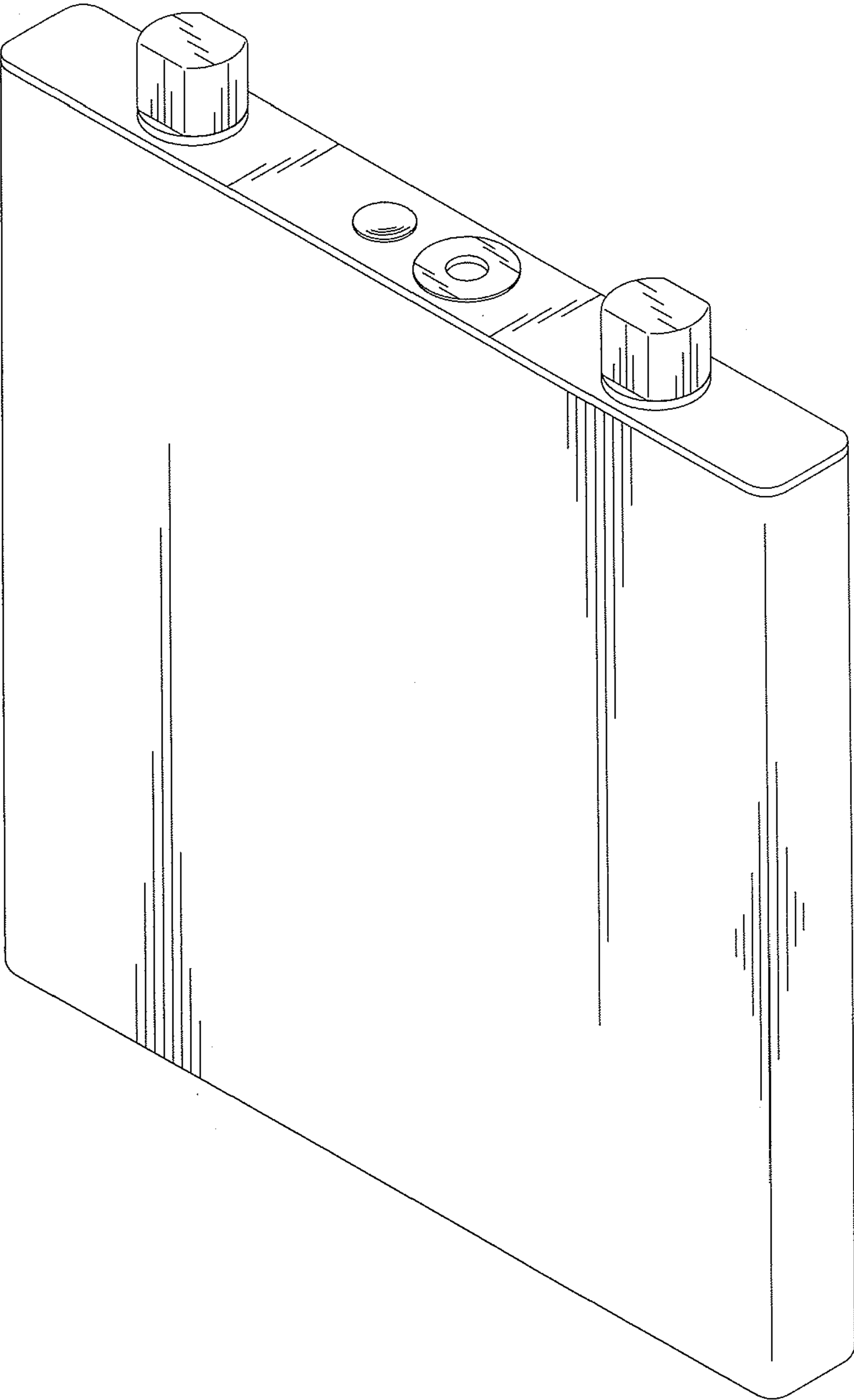


FIG. 2

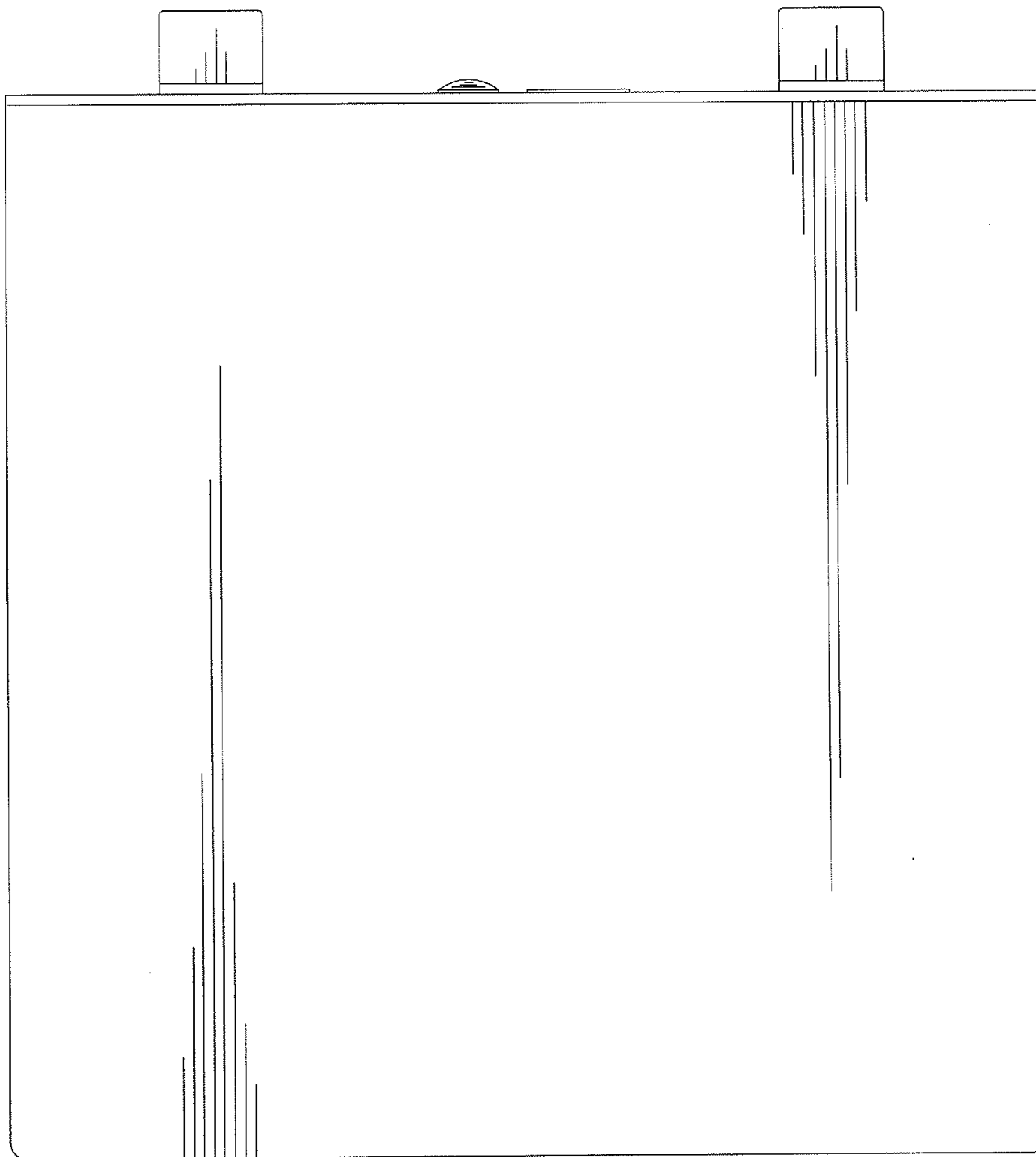


FIG. 3

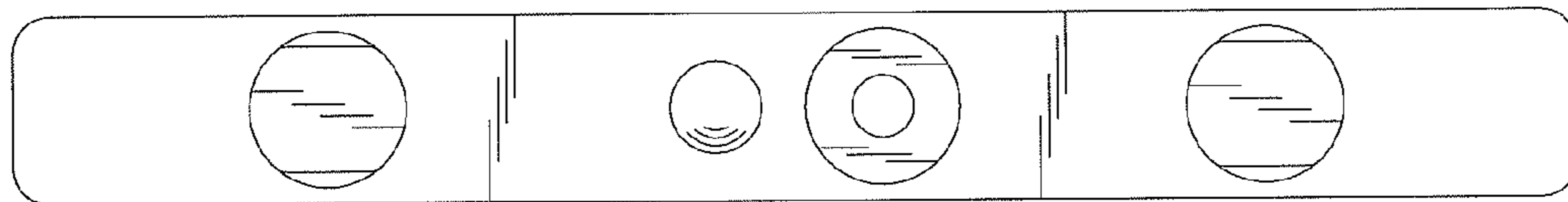


FIG. 4

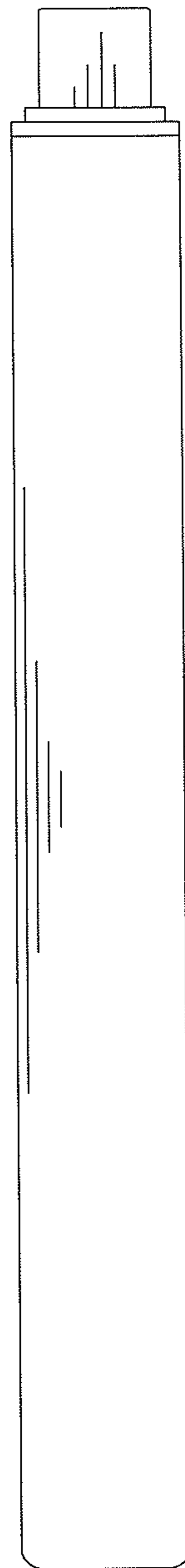


FIG. 5

