



US00D712834S

(12) **United States Design Patent**
Munro et al.

(10) **Patent No.:** **US D712,834 S**

(45) **Date of Patent:** **** Sep. 9, 2014**

(54) **POWER GENERATOR INVERTER**

(71) Applicant: **Midland Power Inc.**, Toronto (CA)

(72) Inventors: **Stuart Munro**, Mississauga (CA); **Owen Sheedy**, Ottawa (CA)

(73) Assignee: **Midland Power Inc.**, Toronto (CA)

(**) Term: **14 Years**

(21) Appl. No.: **29/473,278**

(22) Filed: **Nov. 20, 2013**

(51) **LOC (10) Cl.** **13-01**

(52) **U.S. Cl.**
USPC **D13/116**

(58) **Field of Classification Search**
USPC D13/116, 112, 114, 119, 122, 184, 199;
290/1 A, 1 B; 307/64, 150, 151, 153
See application file for complete search history.

(56) **References Cited**

U.S. PATENT DOCUMENTS

D417,651 S *	12/1999	Ohsumi	D13/116
D437,825 S *	2/2001	Imai	D13/116
D478,043 S *	8/2003	Iwatate et al.	D13/116
D511,139 S *	11/2005	Xiao	D13/116
D517,009 S *	3/2006	Xiao	D13/116
D520,948 S *	5/2006	Xiao	D13/116
D567,175 S	4/2008	Knuteson et al.		
D629,748 S	12/2010	van Deursen		
2002/0070552 A1 *	6/2002	Higuchi et al.	290/1 A
2004/0021320 A1 *	2/2004	Yamada et al.	290/1 B

* cited by examiner

Primary Examiner — Derrick Holland

(74) *Attorney, Agent, or Firm* — LifeCycle IP Management Inc.

(57) **CLAIM**

We claim the ornamental design for a power generator inverter, as shown and described.

DESCRIPTION

FIG. 1 is a front perspective view of a power generator inverter showing our new design.

FIG. 2 is a right-side view of the power generator inverter of FIG. 1.

FIG. 3 is a left-side view of the power generator inverter of FIG. 1.

FIG. 4 is a front view of the power generator inverter of FIG. 1.

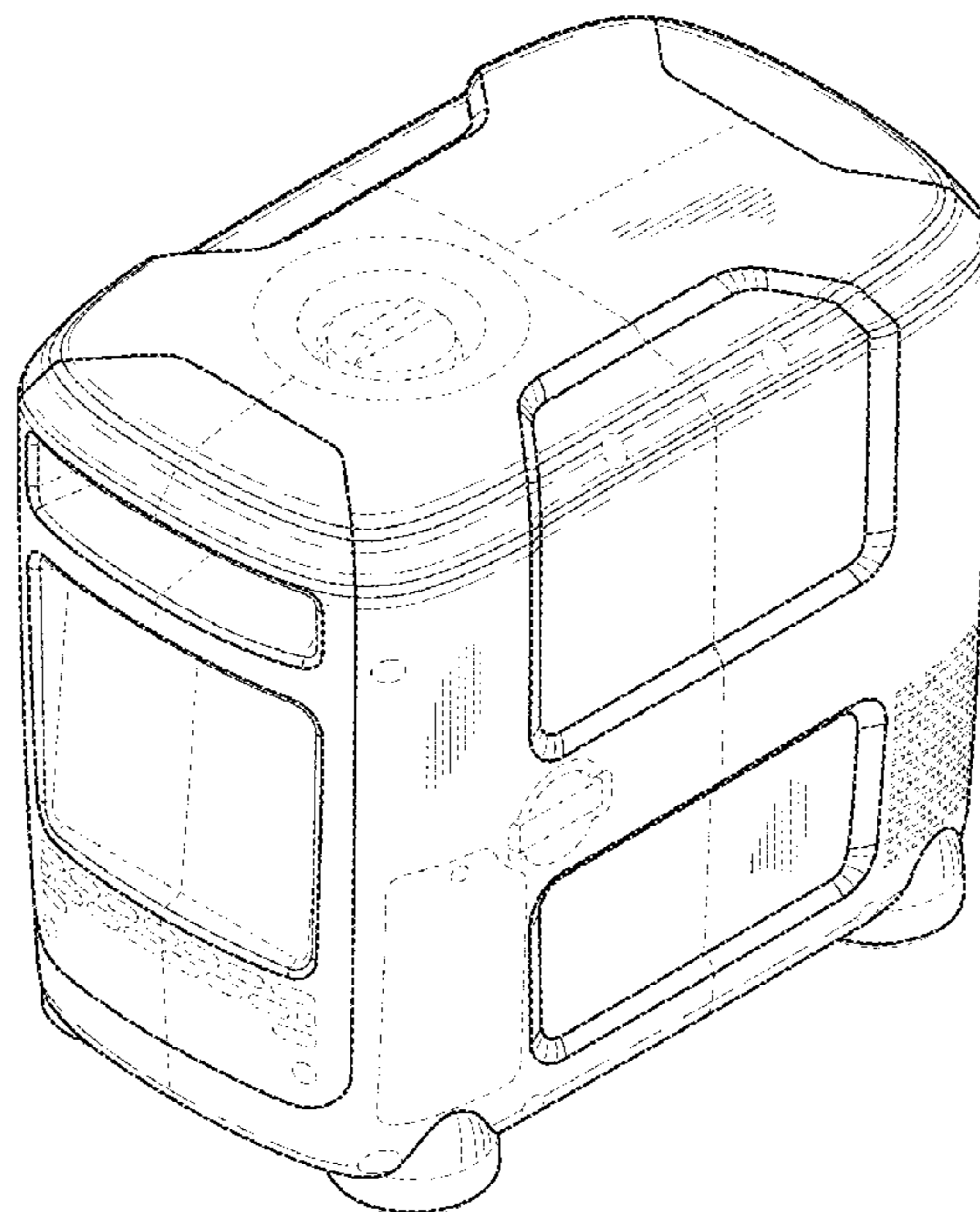
FIG. 5 is a rear view of the power generator inverter of FIG. 1.

FIG. 6 is a top view of the power generator inverter of FIG. 1; and,

FIG. 7 is a bottom view of the power generator inverter of FIG. 1.

The broken lines shown represent unclaimed subject matter only and form no part of the claim. Where broken lines abut a claimed surface it is understood that those broken lines represent an unclaimed boundary between claimed and unclaimed surfaces. None of the broken lines form any part of the claimed design.

1 Claim, 7 Drawing Sheets



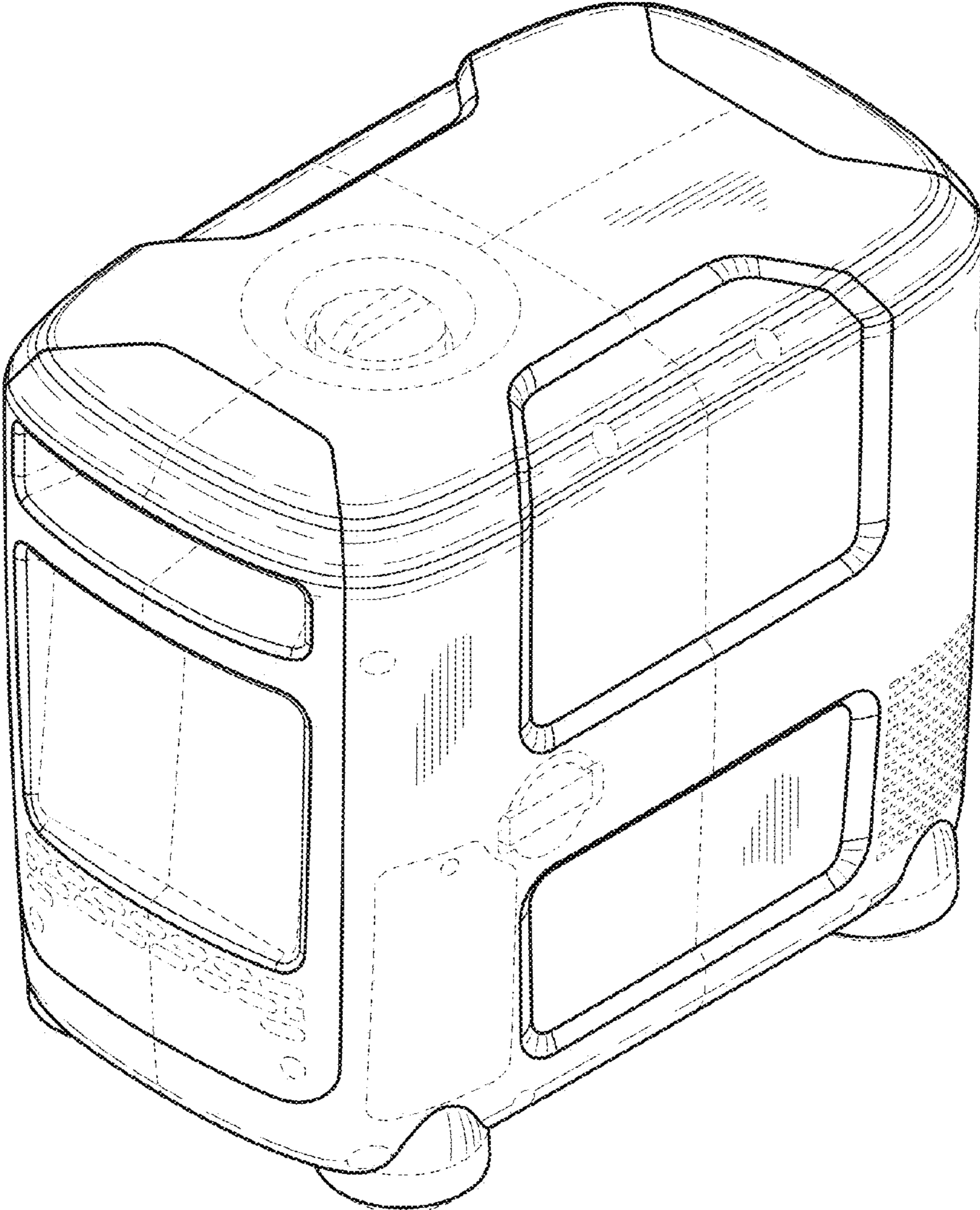


FIG. 1

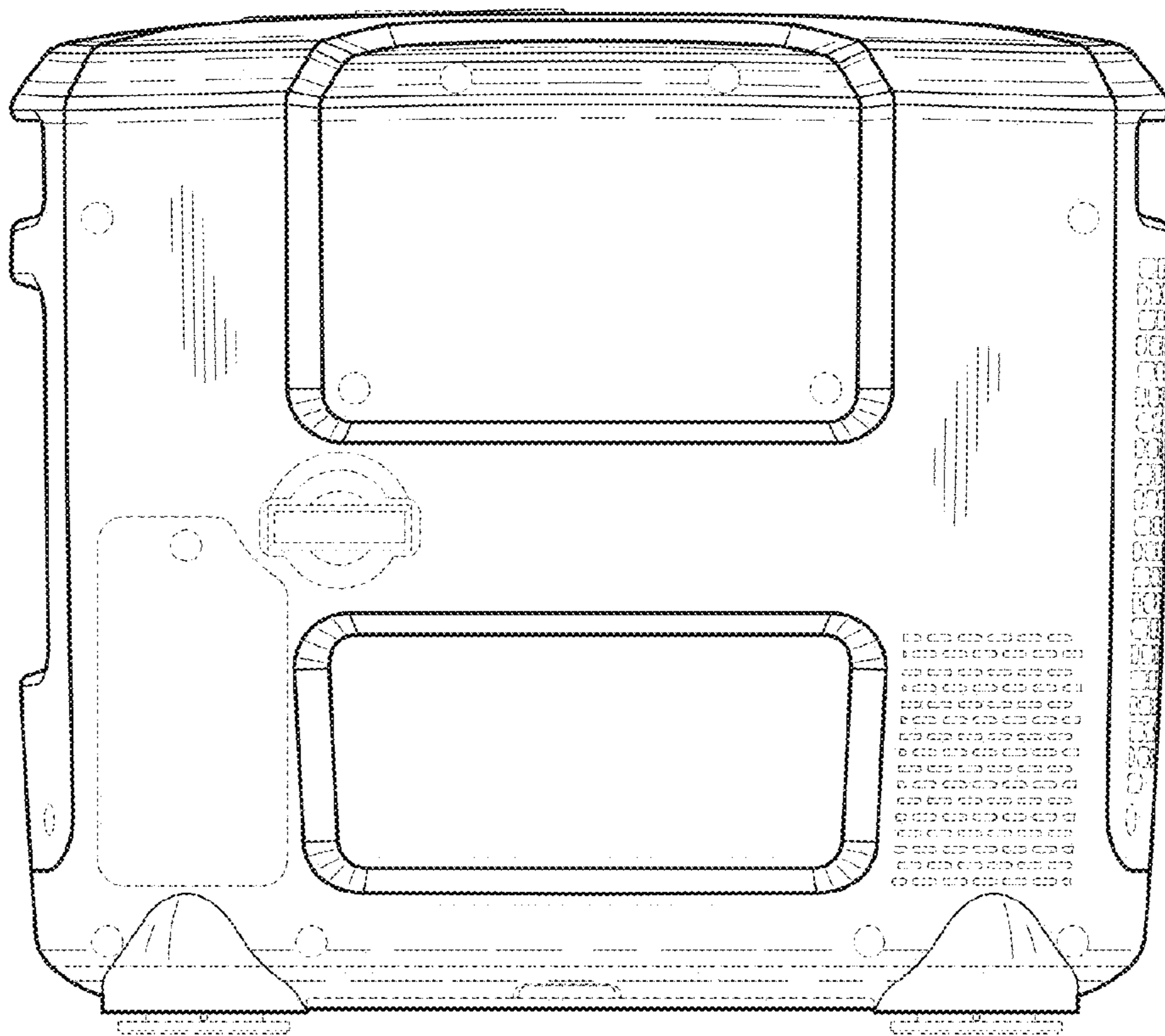


FIG. 2

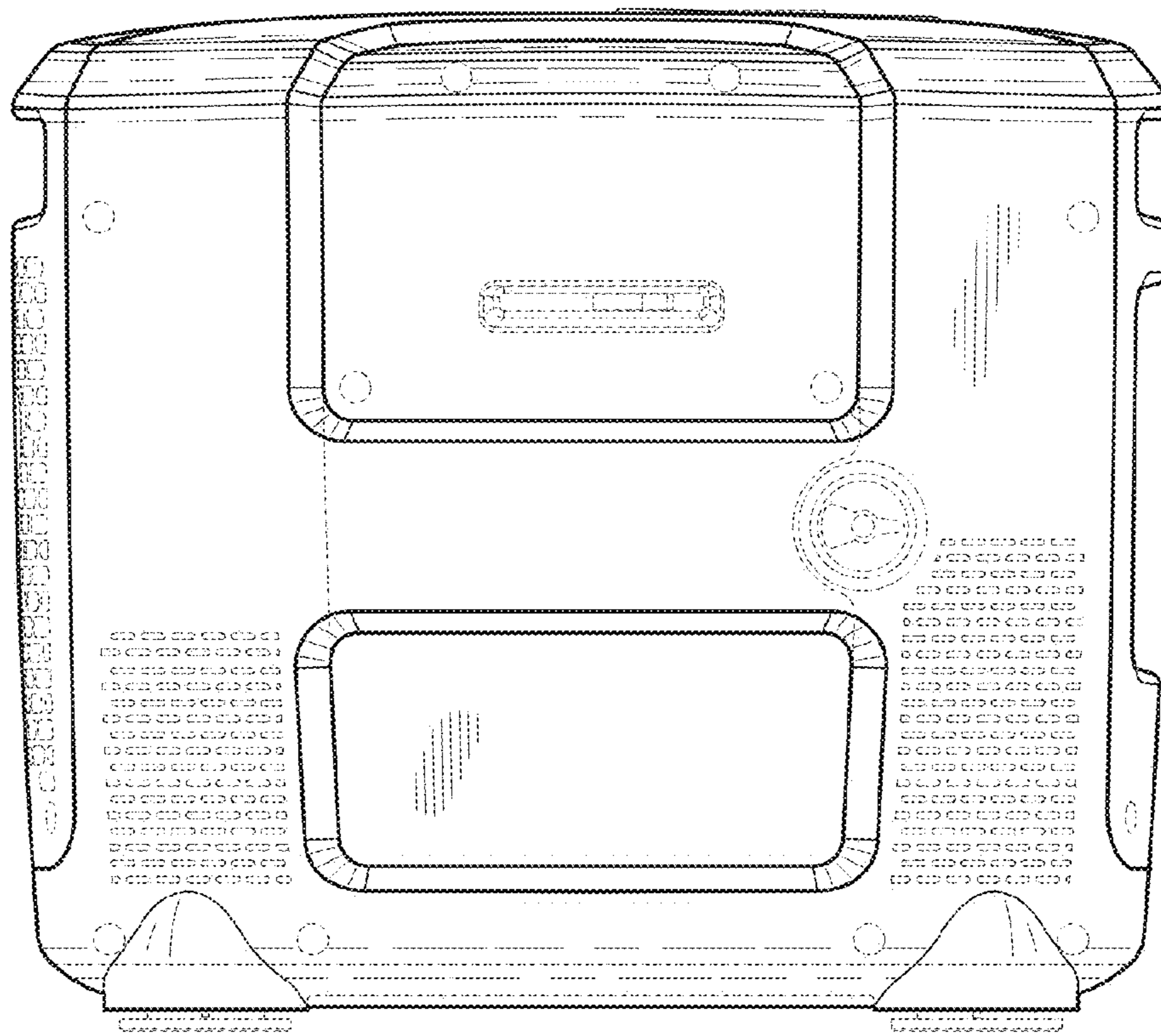


FIG. 3

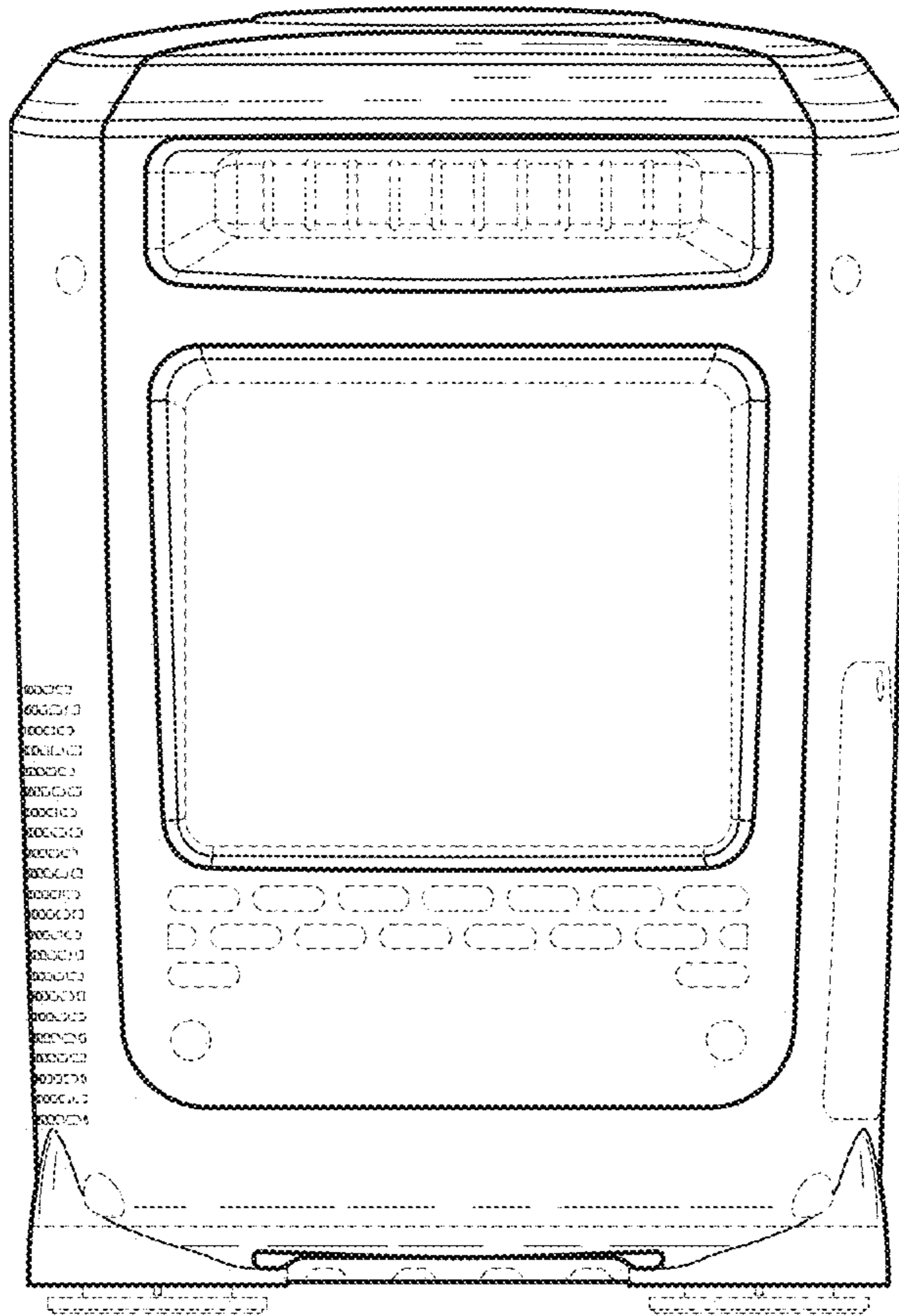


FIG. 4

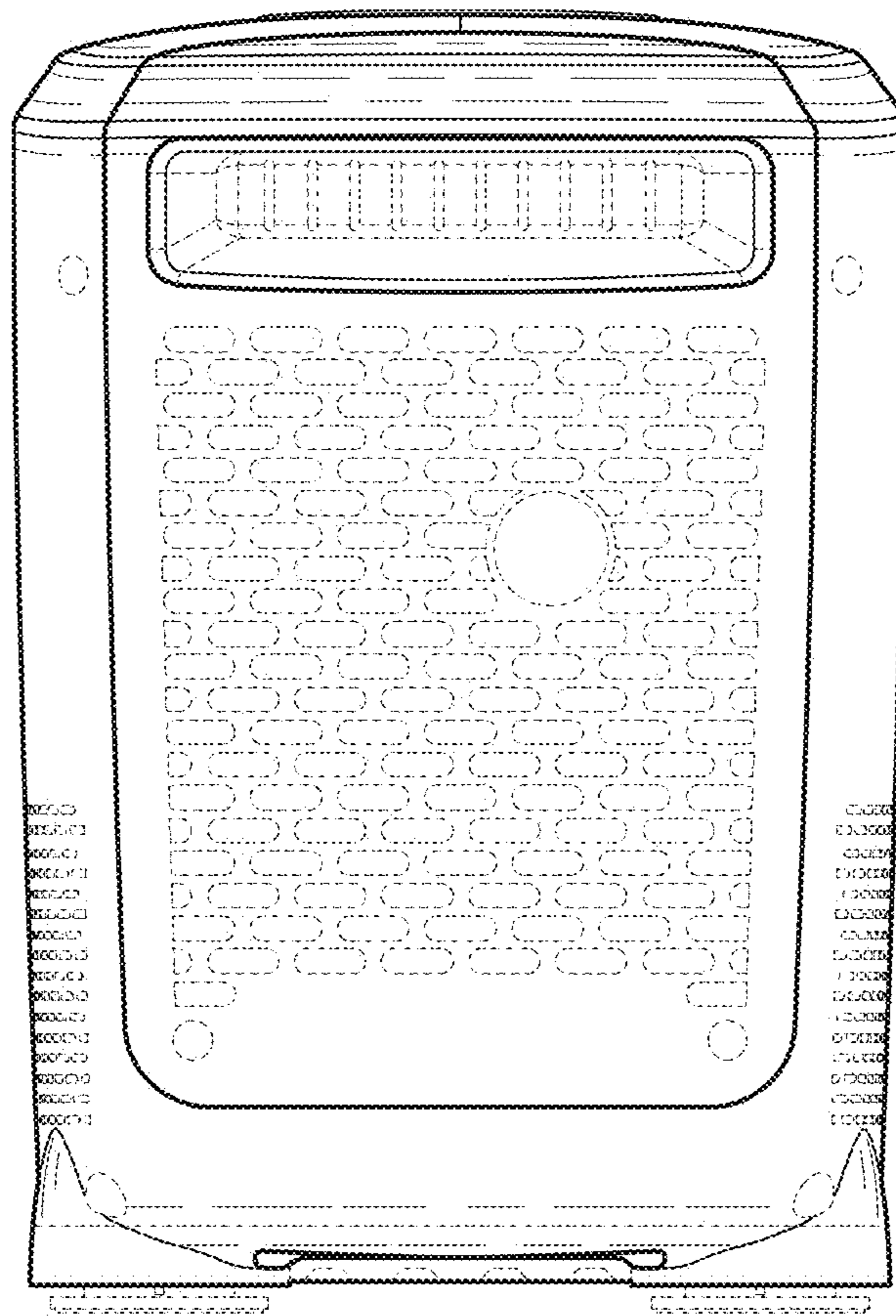


FIG. 5

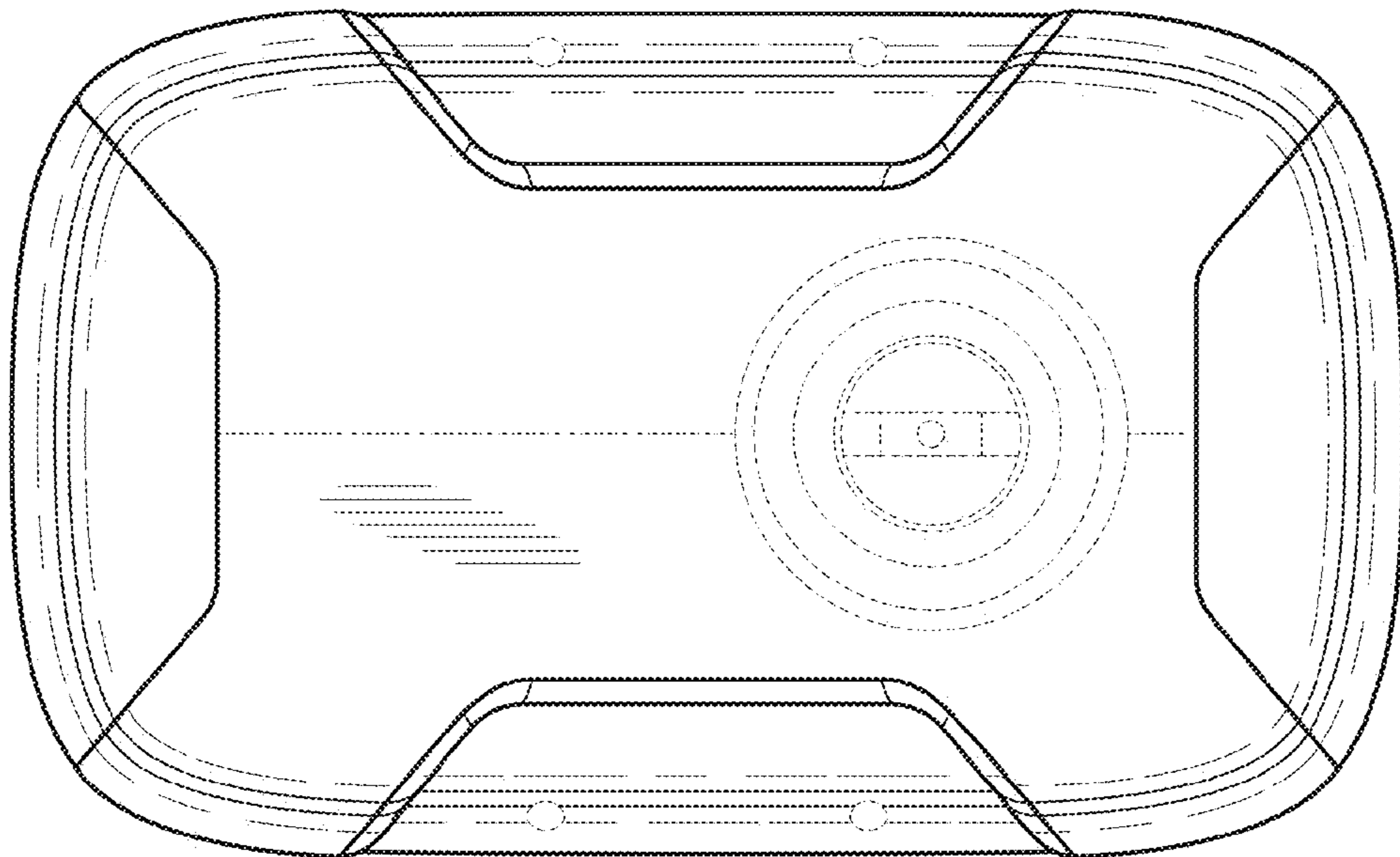


FIG. 6

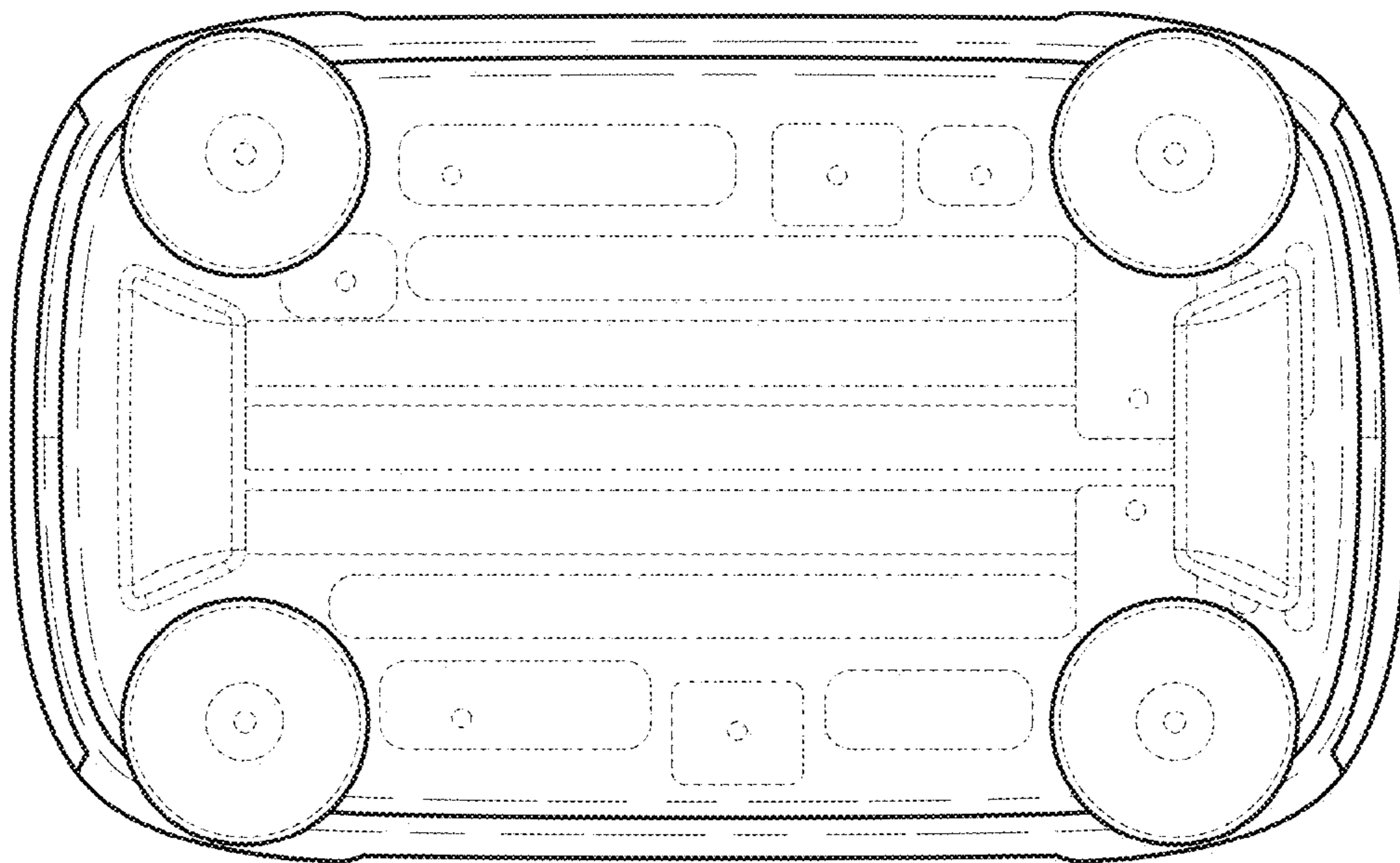


FIG. 7