



US00D712833S

(12) **United States Design Patent**  
**George et al.**

(10) **Patent No.:** **US D712,833 S**  
(45) **Date of Patent:** **\*\* Sep. 9, 2014**

(54) **GENERATOR SYSTEM**

(71) Applicant: **Medtronic Ardian Luxembourg S.a.r.l.**, Luxembourg (LU)

(72) Inventors: **William R. George**, Santa Rosa, CA (US); **Charles R. Lewis, Jr.**, Santa Rosa, CA (US)

(73) Assignee: **Medtronic Ardian Luxembourg S.a.r.l.**, Luxembourg (LU)

(\*\*) Term: **14 Years**

(21) Appl. No.: **29/447,479**

(22) Filed: **Mar. 4, 2013**

(51) **LOC (10) Cl.** ..... **13-01**

(52) **U.S. Cl.**  
USPC ..... **D13/112; D24/170**

(58) **Field of Classification Search**  
USPC ..... D13/112, 114, 118, 122, 123, 168, 184,  
D13/199; D24/170, 232; D34/12-27;  
310/300, 309, 311, 314, 319; 322/1;  
606/34, 41; 607/101, 105  
See application file for complete search history.

(56) **References Cited**

**U.S. PATENT DOCUMENTS**

D118,060 S 12/1939 Smith  
3,074,734 A 1/1963 Munson et al.

(Continued)

**OTHER PUBLICATIONS**

Klein, Brian, "The Design Story Behind the Vessix V2 Renal Denervation Device," 2012, accessed Jul. 15, 2013, 3 pages. <<http://www.medgadget.com/2012/04/the-design-story-behind-the-vessix-v2-renal-denervation-device.html>>.

(Continued)

*Primary Examiner* — Derrick Holland

(57) **CLAIM**

The ornamental design for a generator system, as shown and described.

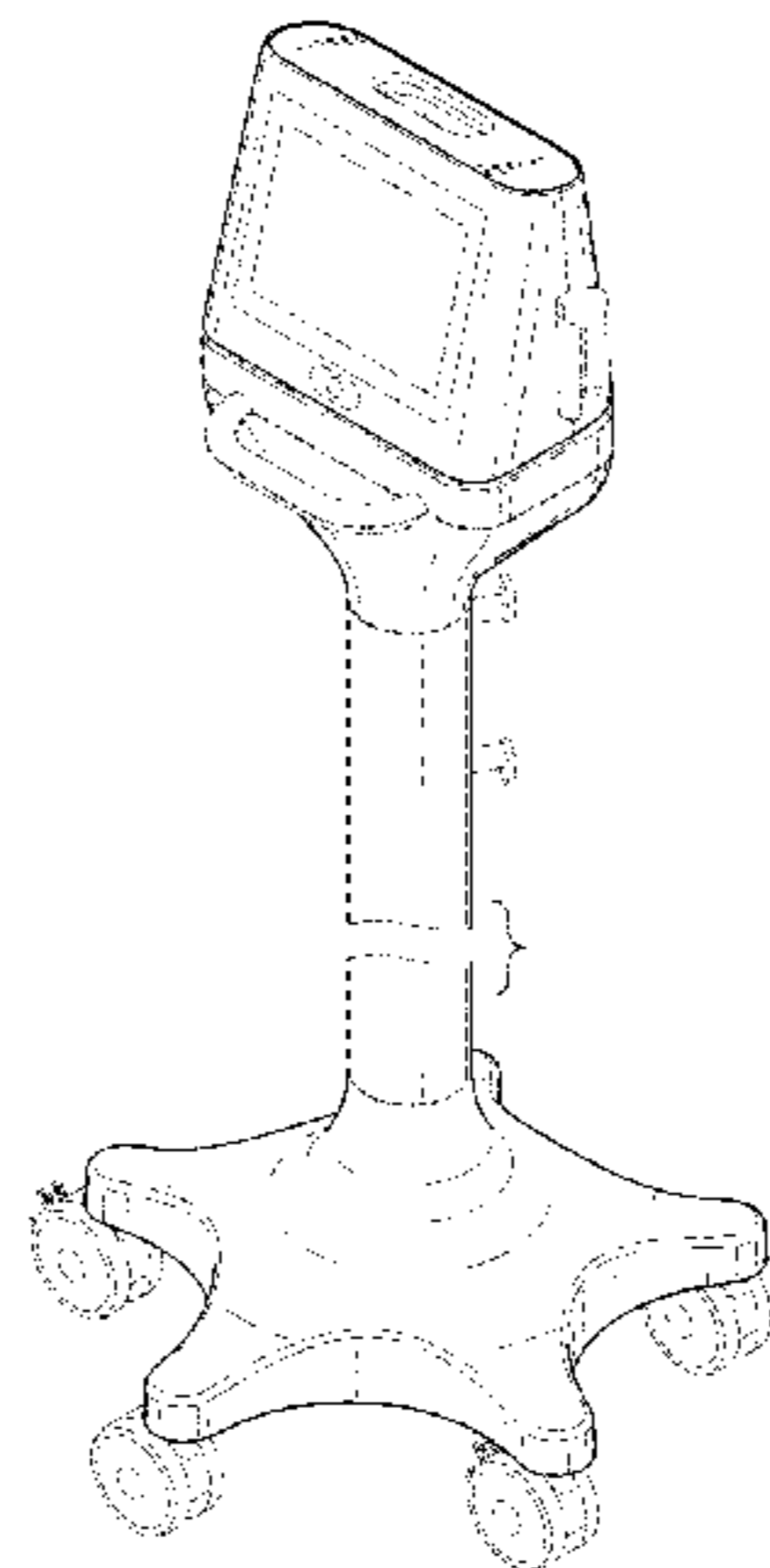
**DESCRIPTION**

FIG. 1 is a front perspective view of a generator system showing our new design.  
FIG. 2 is a front elevational view thereof.  
FIG. 3 is a back elevational view thereof.  
FIG. 4 is a left side elevational view thereof.  
FIG. 5 is a right side elevational view thereof.  
FIG. 6 is a top view thereof.  
FIG. 7 is a bottom view thereof.  
FIG. 8 is an exploded front perspective view of the generator system.  
FIG. 9 is a front perspective view of a cart portion of the generator system.  
FIG. 10 is a back elevational view thereof.  
FIG. 11 is a front elevational view thereof.  
FIG. 12 is a left side elevational view thereof.  
FIG. 13 is a right side elevational view thereof.  
FIG. 14 is a top view thereof.  
FIG. 15 is a bottom view thereof.  
FIG. 16 is a front perspective view of a generator portion of the generator system.  
FIG. 17 is a front elevational view thereof.  
FIG. 18 is a back elevational view thereof.  
FIG. 19 is a left side elevational view thereof.  
FIG. 20 is a right side elevational view thereof.  
FIG. 21 is a top view thereof; and,  
FIG. 22 is a bottom view thereof.

The broken lines shown represent unclaimed subject matter only and form no part of the claim. Where broken lines abut a claimed surface it is understood that those broken lines represent an unclaimed boundary between claimed and unclaimed surfaces. None of the broken lines form any part of the claimed design.

Portions of the generator system have been shown broken to indicate indeterminate length. The indeterminate portion of the article forms no part of the claim design. Patentability is based on those portions of the generator system that are shown in solid lines.

**1 Claim, 12 Drawing Sheets**



(56)

**References Cited**

U.S. PATENT DOCUMENTS

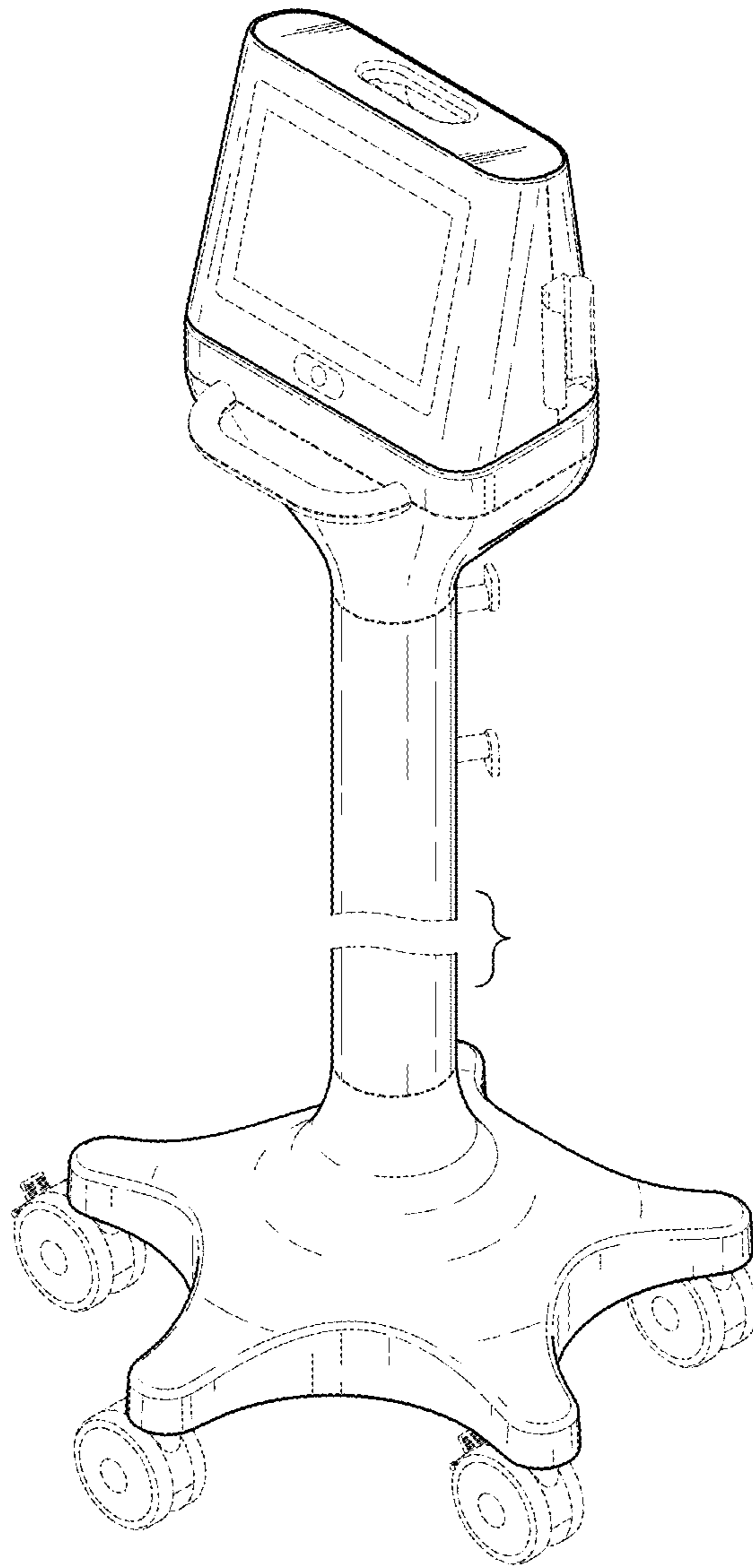
4,798,082 A \* 1/1989 Fujikawa et al. .... 73/114.72  
 D304,112 S 10/1989 Bettess  
 D305,710 S 1/1990 Ng et al.  
 D339,441 S 9/1993 Marchant et al.  
 D361,058 S 8/1995 Domel et al.  
 D363,590 S 10/1995 Kazmerchek et al.  
 D465,895 S \* 11/2002 Pfefferle et al. .... D34/19  
 D477,082 S \* 7/2003 Bromley ..... D24/170  
 6,688,634 B2 2/2004 Noffsinger  
 D490,374 S \* 5/2004 Amakawa et al. .... D13/112  
 D491,666 S \* 6/2004 Kimmell et al. .... D24/170  
 D496,633 S 9/2004 Krause  
 D500,575 S 1/2005 Lucas  
 D525,947 S 8/2006 Gerard et al.  
 D530,680 S 10/2006 Fox et al.  
 D530,681 S 10/2006 Huang  
 7,168,715 B1 1/2007 Friedman  
 7,188,847 B1 3/2007 Friedman  
 D549,185 S 8/2007 Tan  
 7,270,339 B2 9/2007 Feick

D553,324 S 10/2007 Lieblein  
 D567,761 S \* 4/2008 Waaler et al. .... D13/112  
 D572,205 S 7/2008 Landerholm et al.  
 D575,747 S 8/2008 Abramovich et al.  
 D576,960 S 9/2008 Aldape et al.  
 D602,878 S 10/2009 Coleman et al.  
 D633,447 S 3/2011 Schaal et al.  
 8,074,815 B2 \* 12/2011 Gerstner ..... 211/193  
 D668,243 S 10/2012 Aquillano  
 D670,472 S 11/2012 Ono  
 D670,660 S 11/2012 Cook

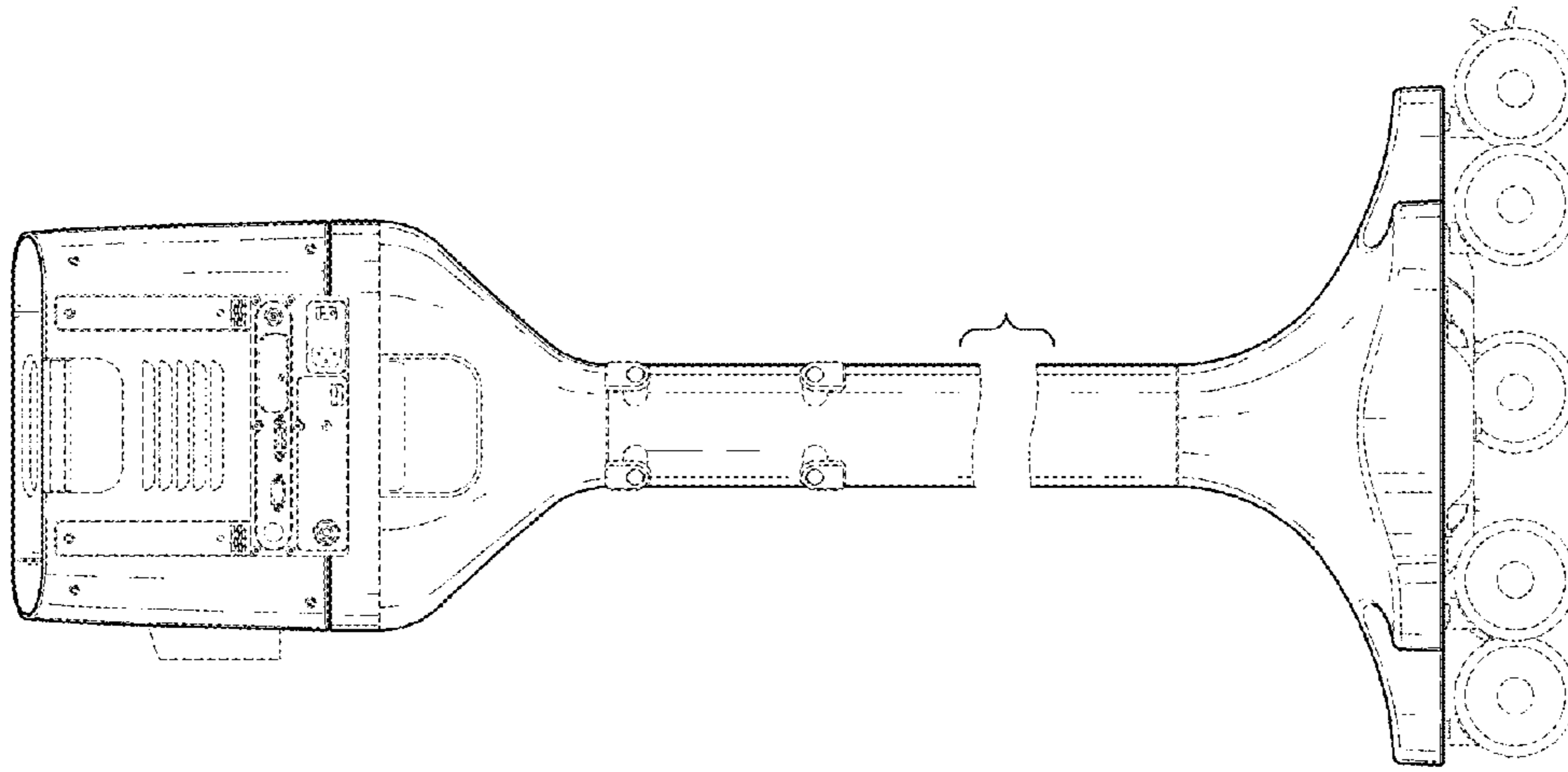
OTHER PUBLICATIONS

Wilson, Mark, "A Gold Rush In Medical Design, Inspired Partly by ipads," Co.Design: business + innovation + design, 2012, accessed Jul. 15, 2013, 3 pages, <<http://www.fastcodesign.com/1669613/a-gold-rush-in-medical-design-inspired-partly-by-ipads>>.  
 U.S. Appl. No. 29/447,462, filed Mar. 4, 2013.  
 U.S. Appl. No. 29/447,469, filed Mar. 4, 2013.  
 U.S. Appl. No. 29/447,482, filed Mar. 4, 2013.  
 U.S. Appl. No. 29/447,487, filed Mar. 4, 2013.

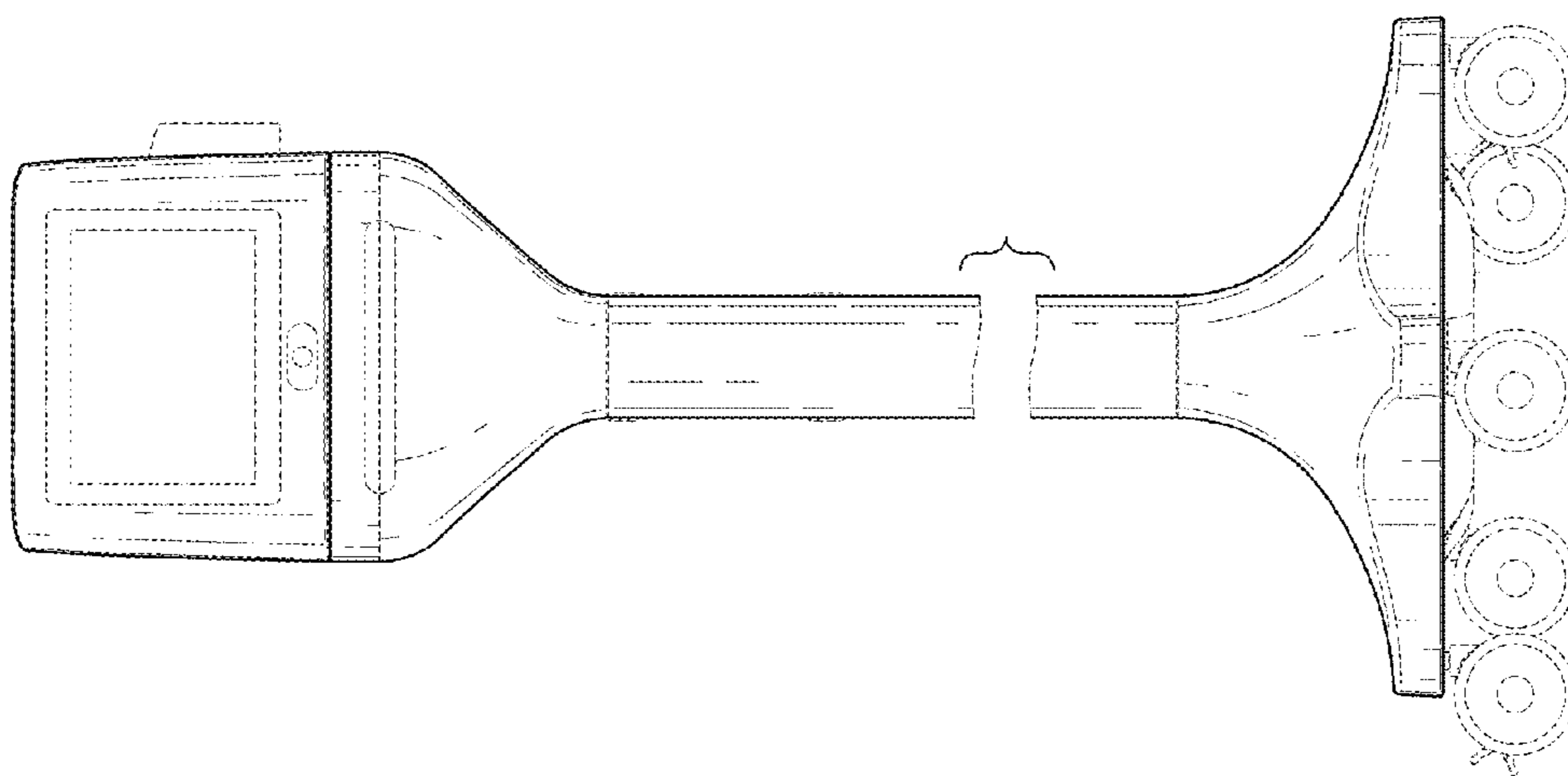
\* cited by examiner



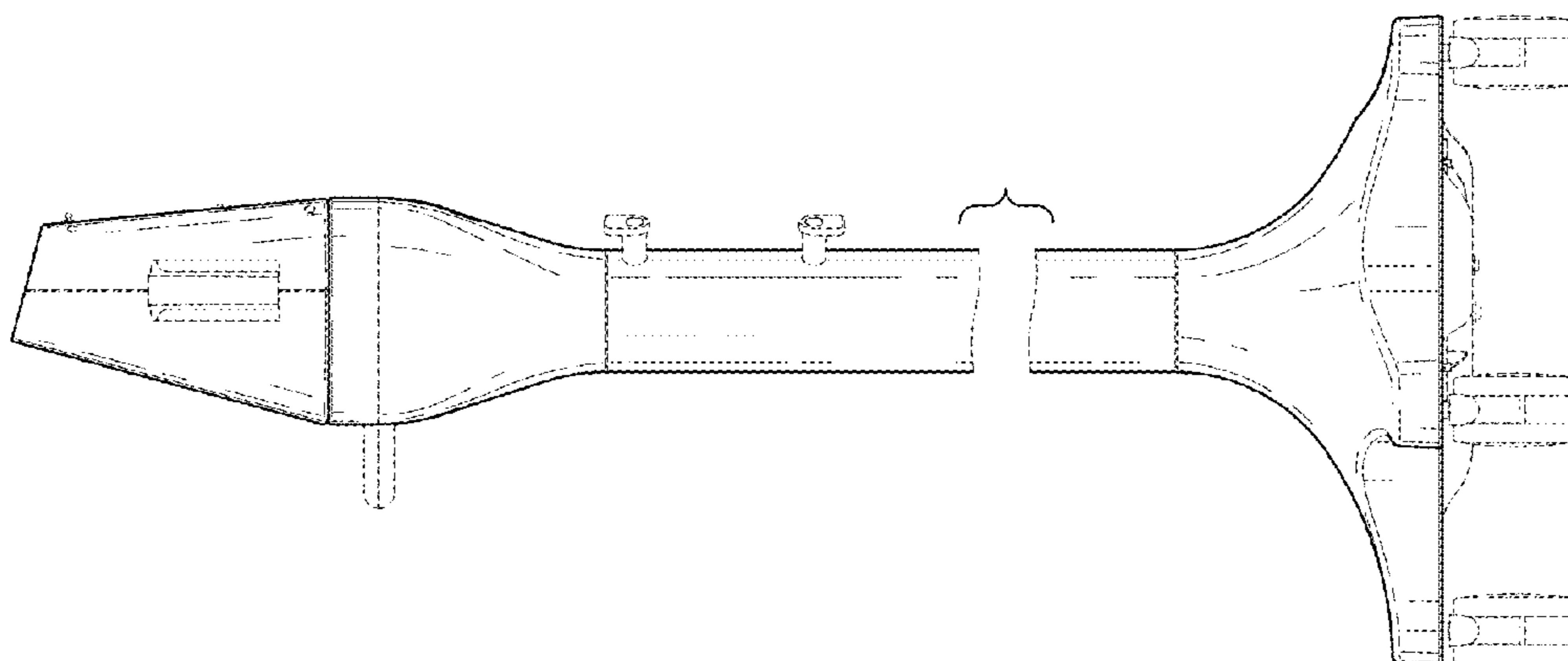
*Fig. 1*



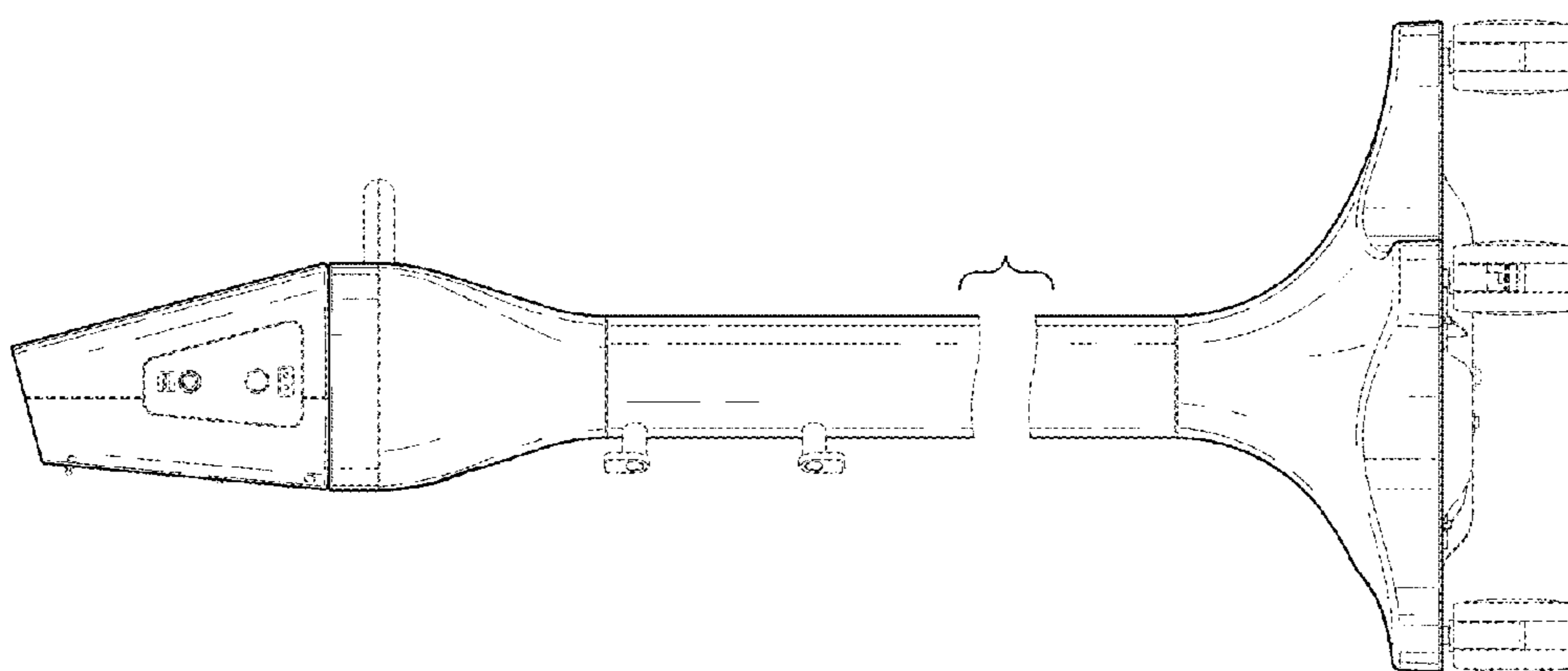
*Fig. 3*



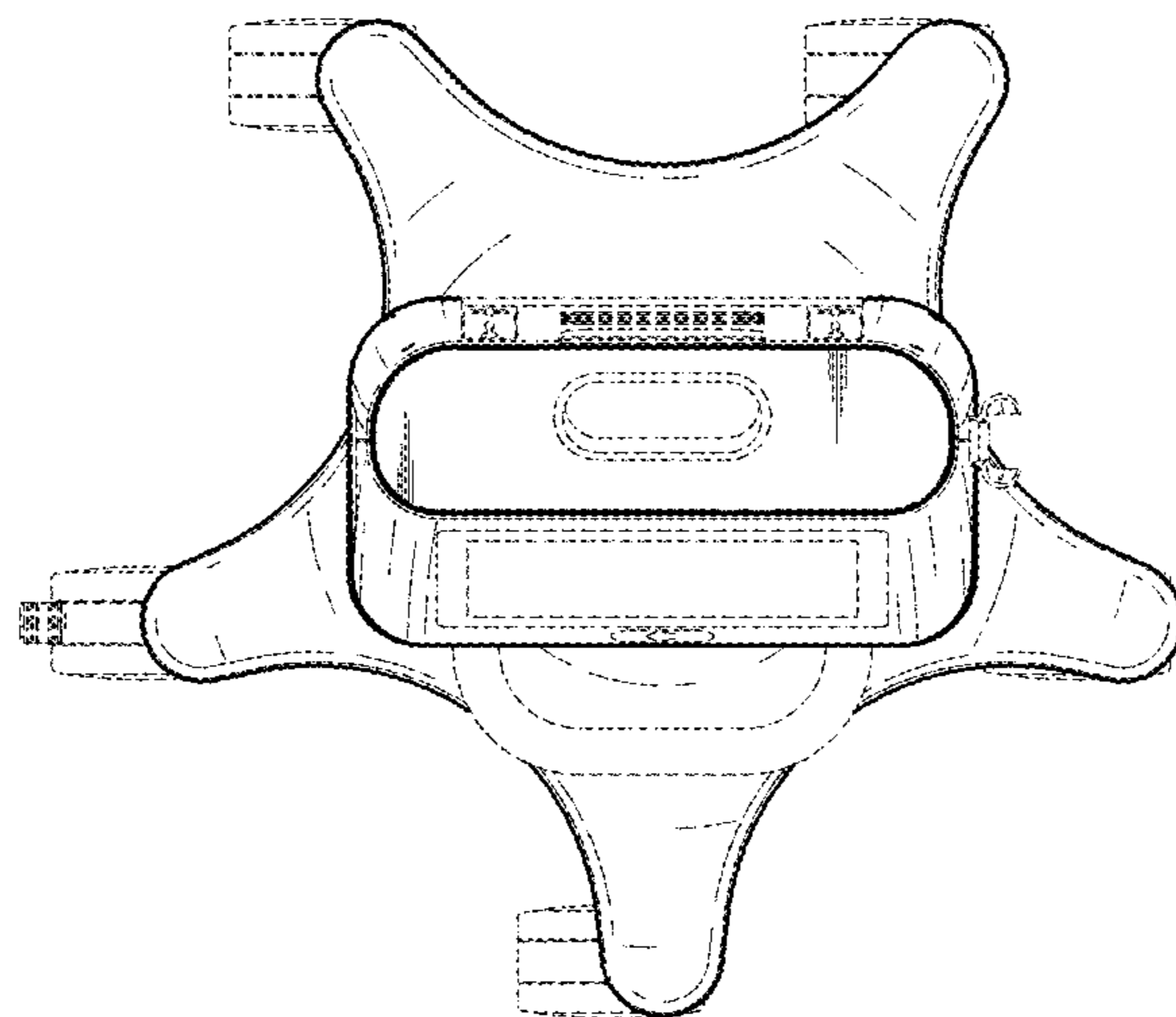
*Fig. 2*



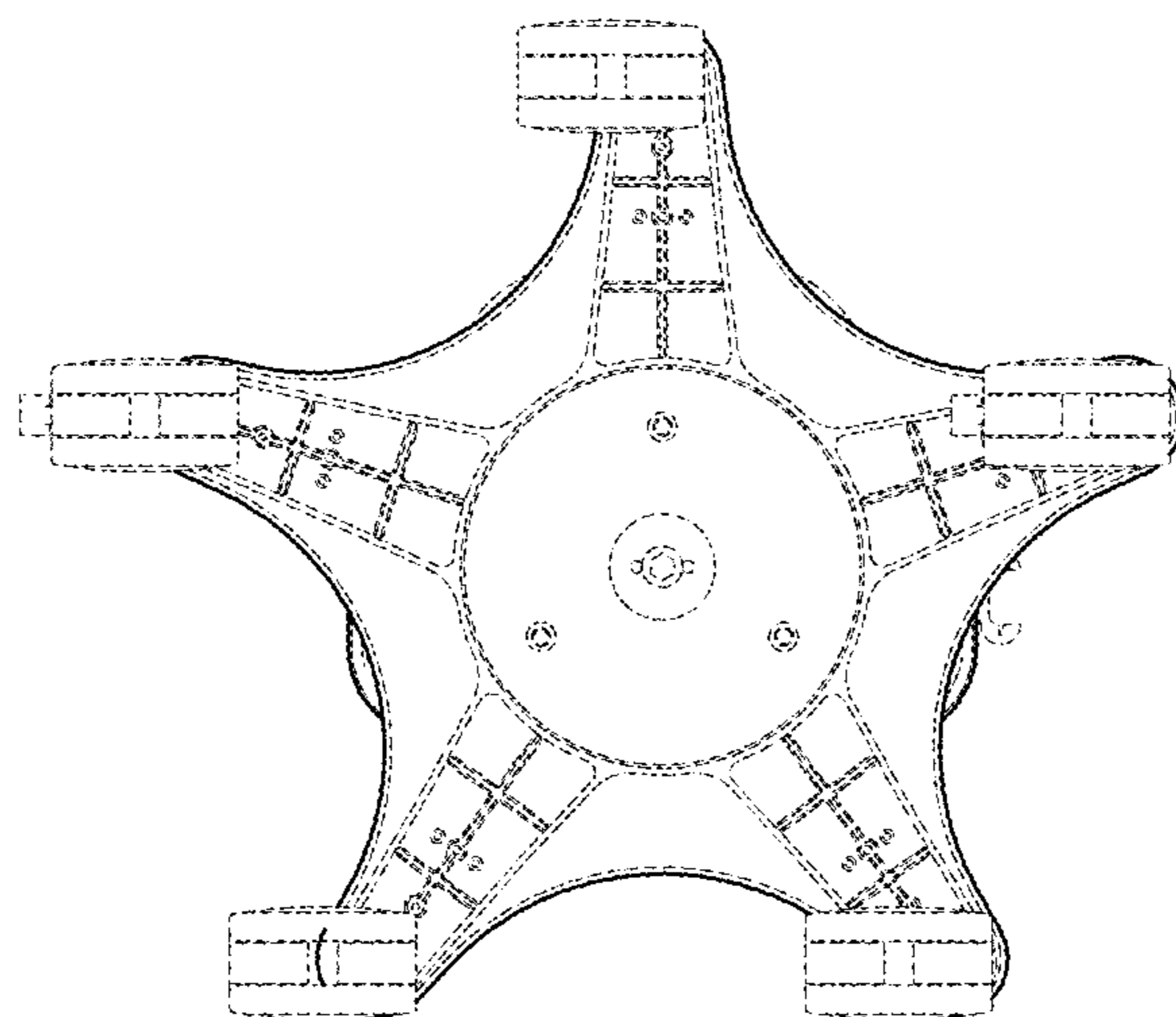
*Fig. 5*



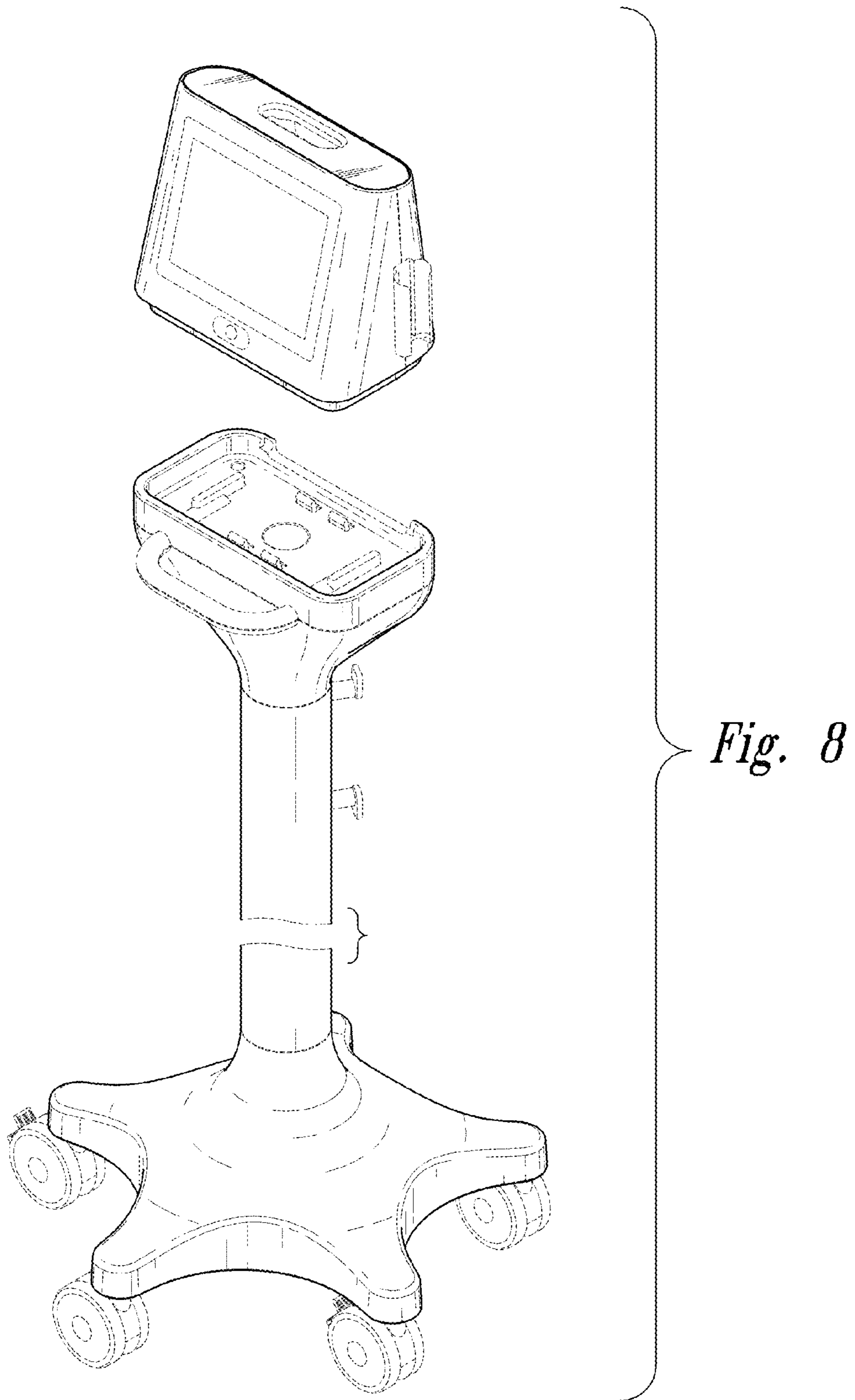
*Fig. 4*

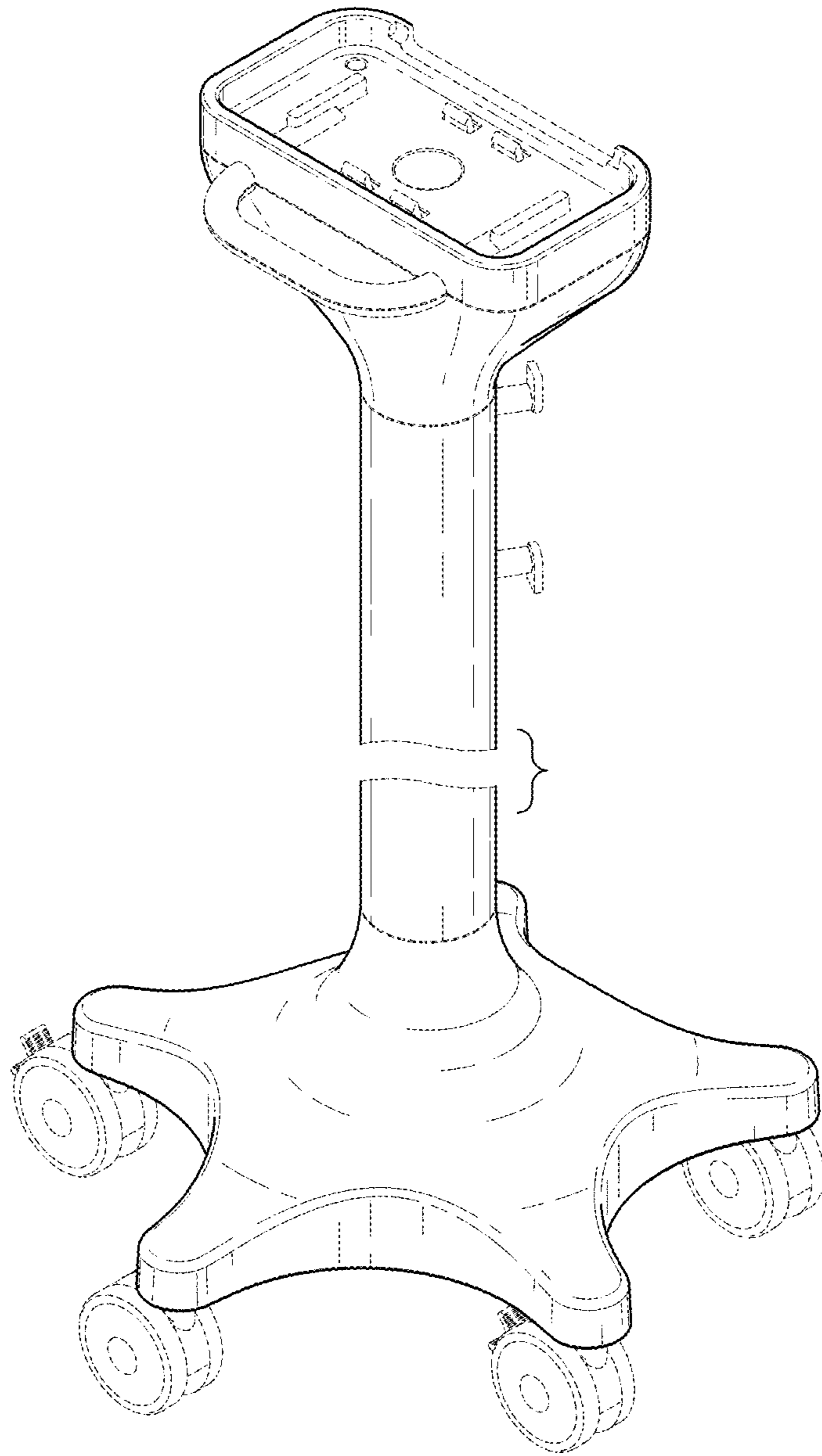


*Fig. 6*



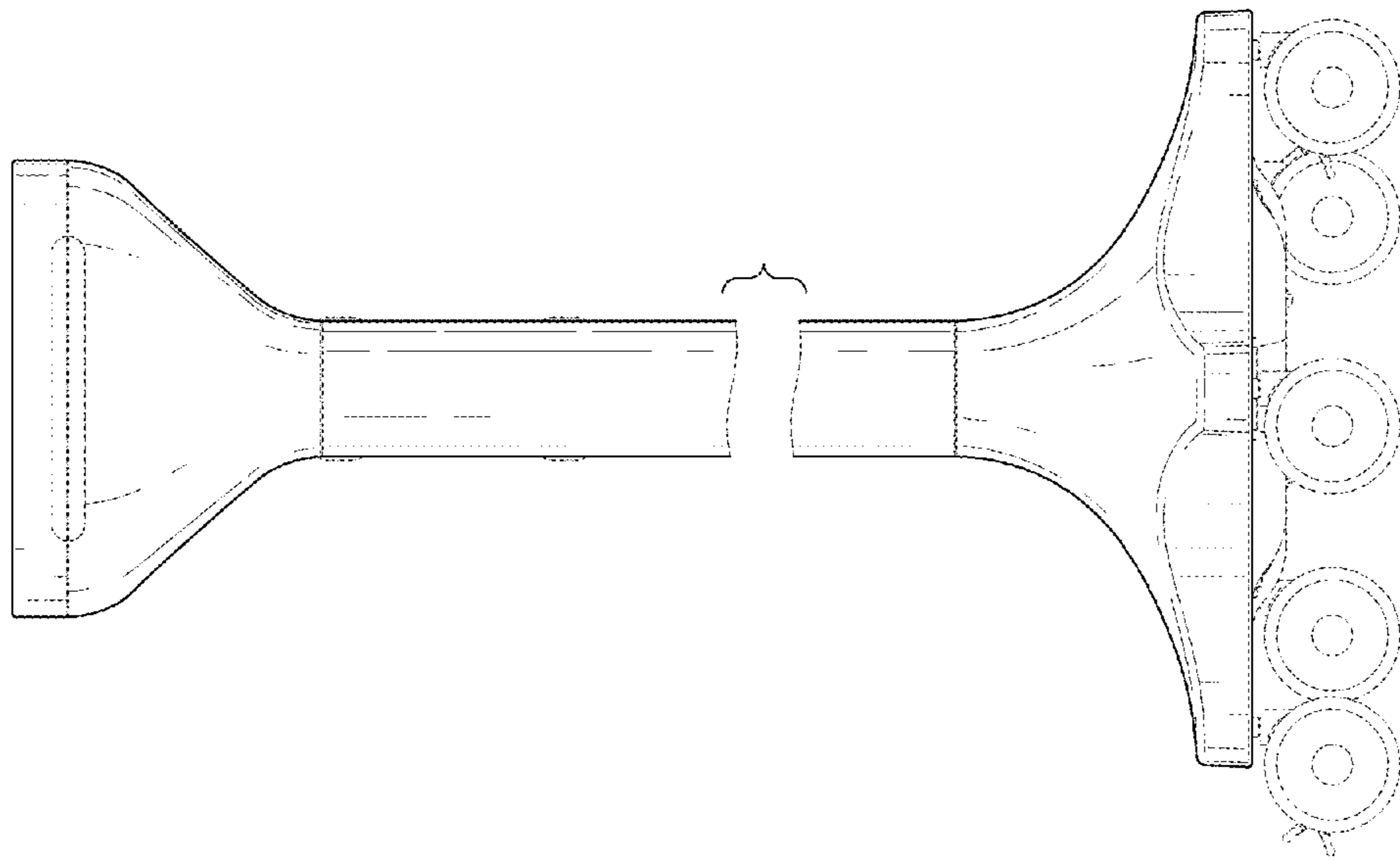
*Fig. 7*



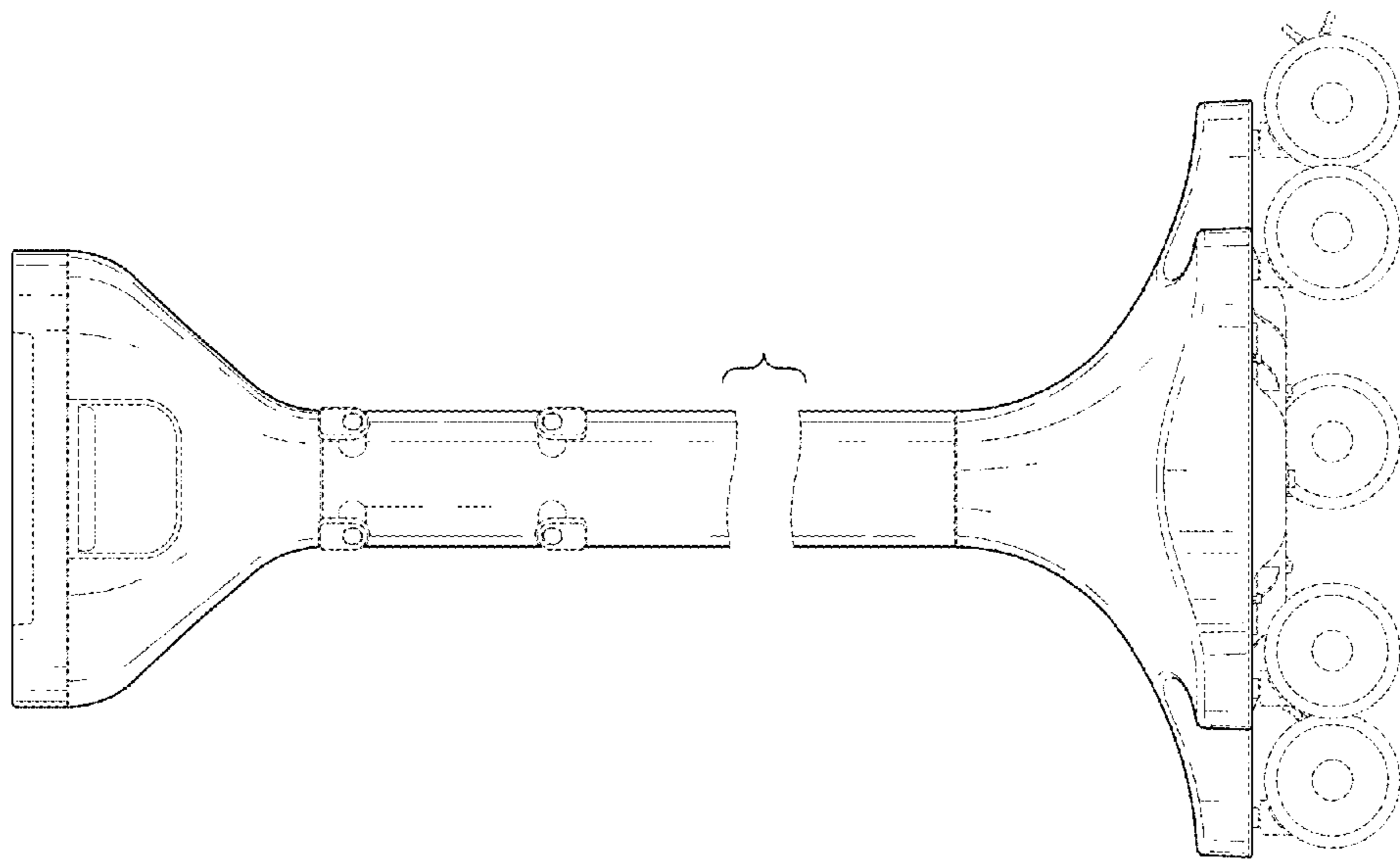


*Fig. 9*

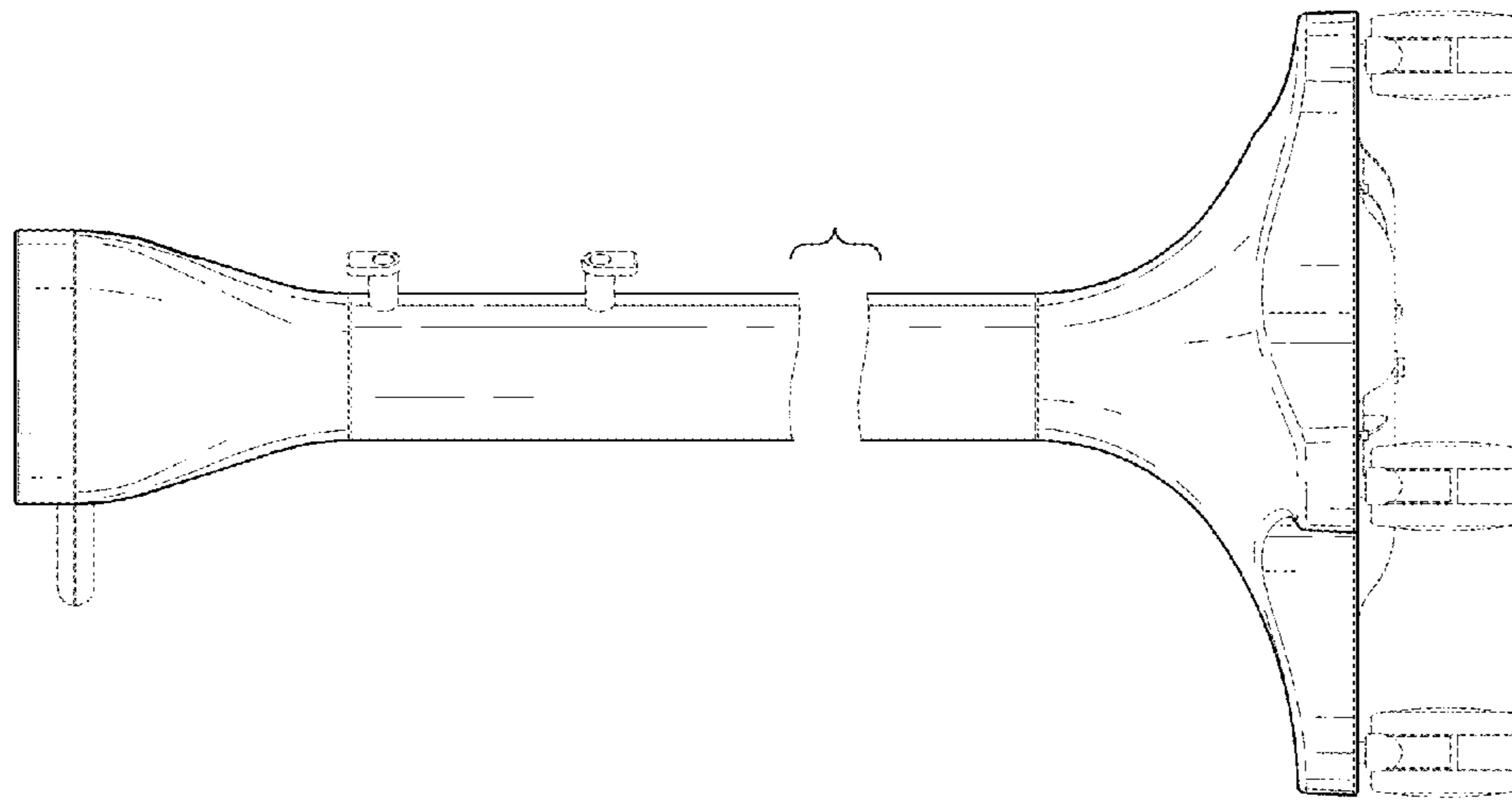




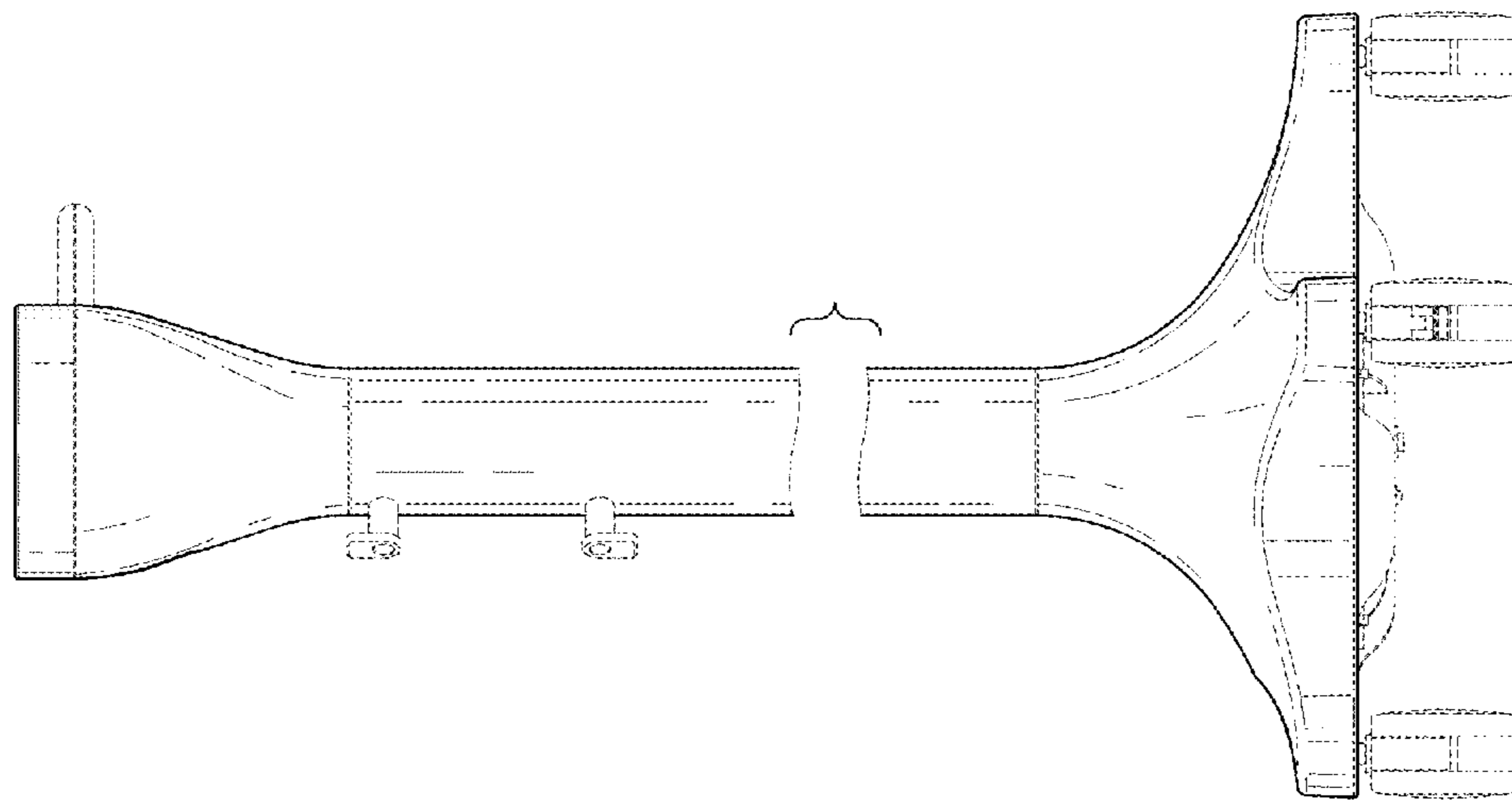
*Fig. 11*



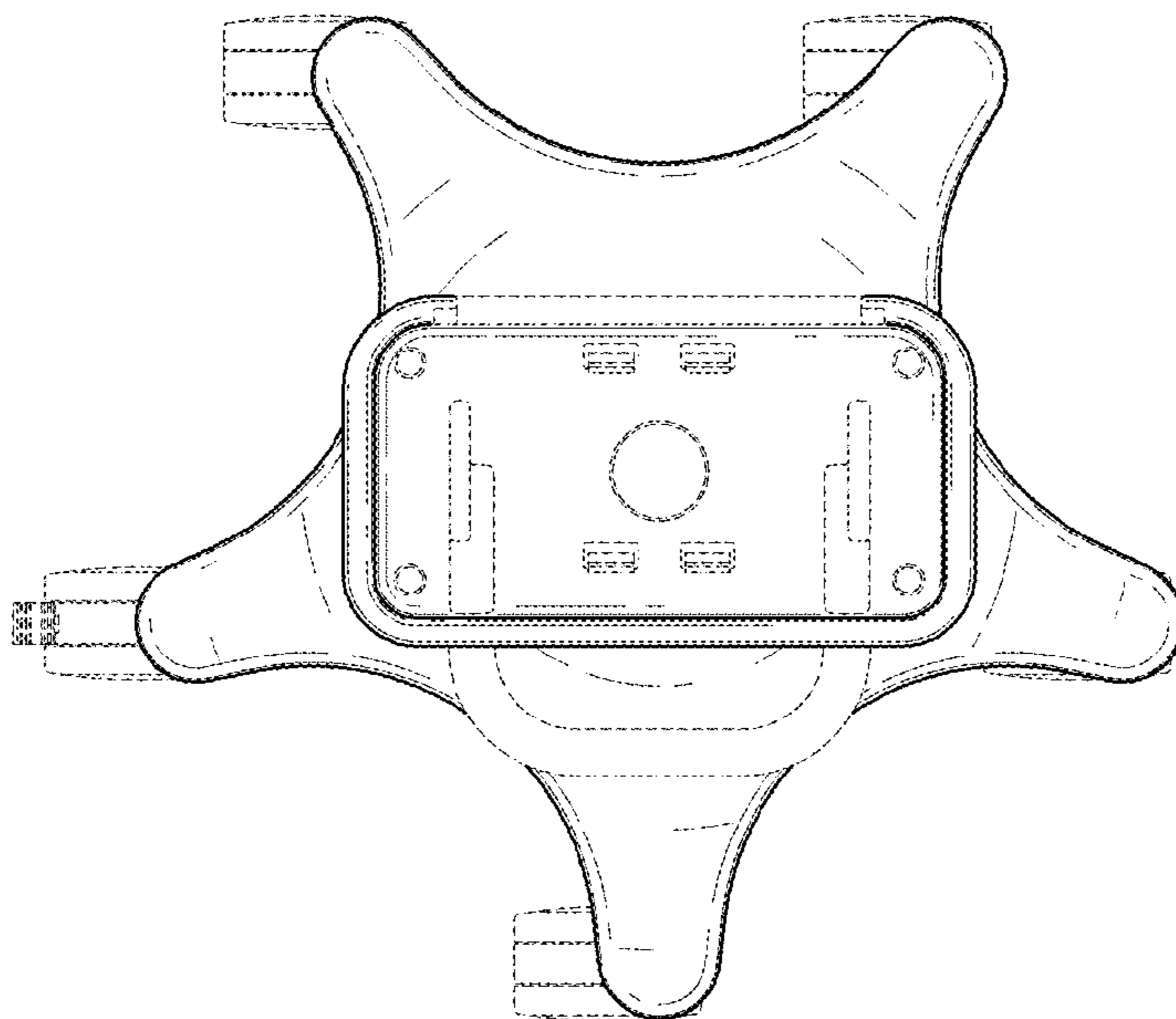
*Fig. 10*



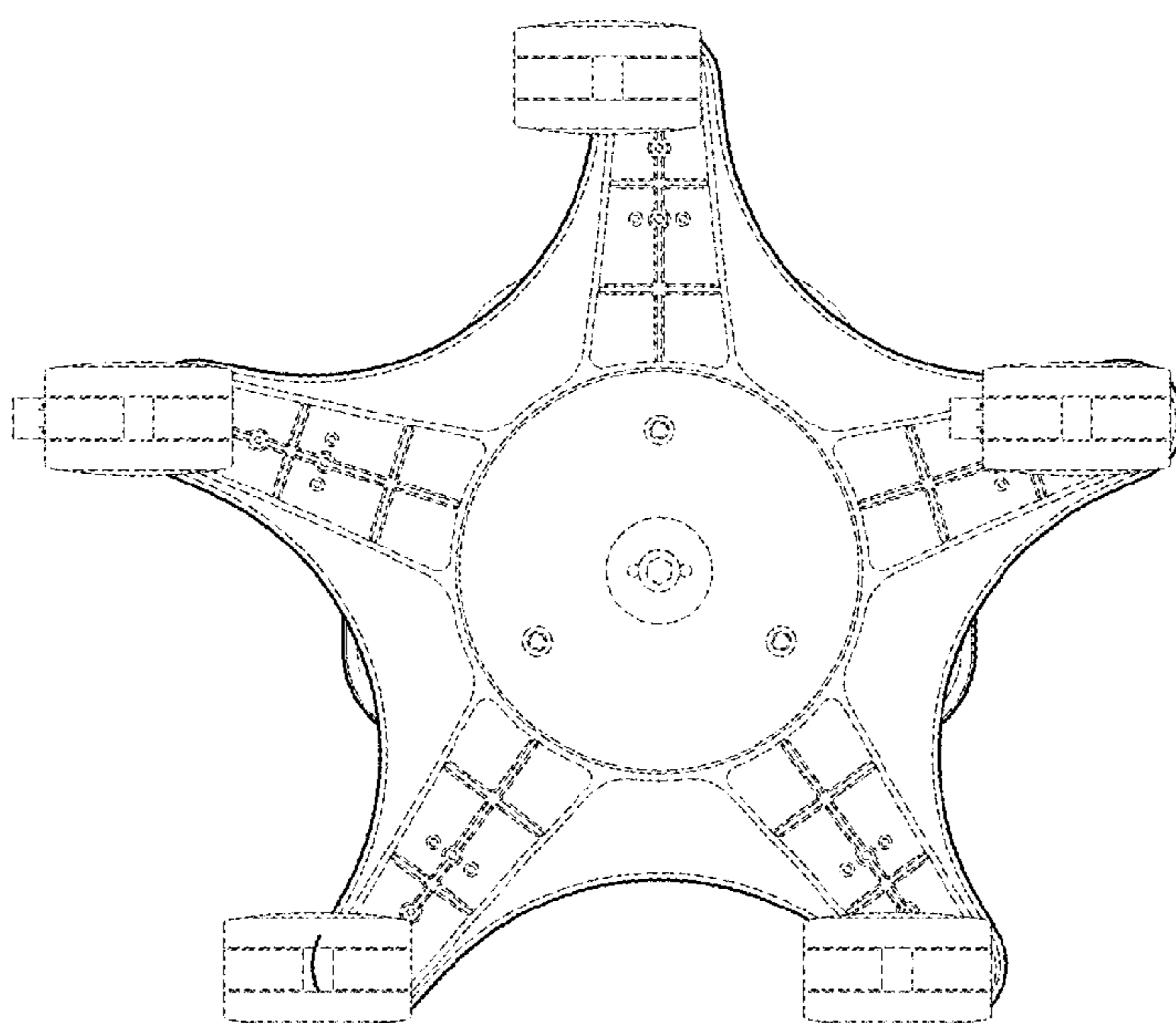
*Fig. 13*



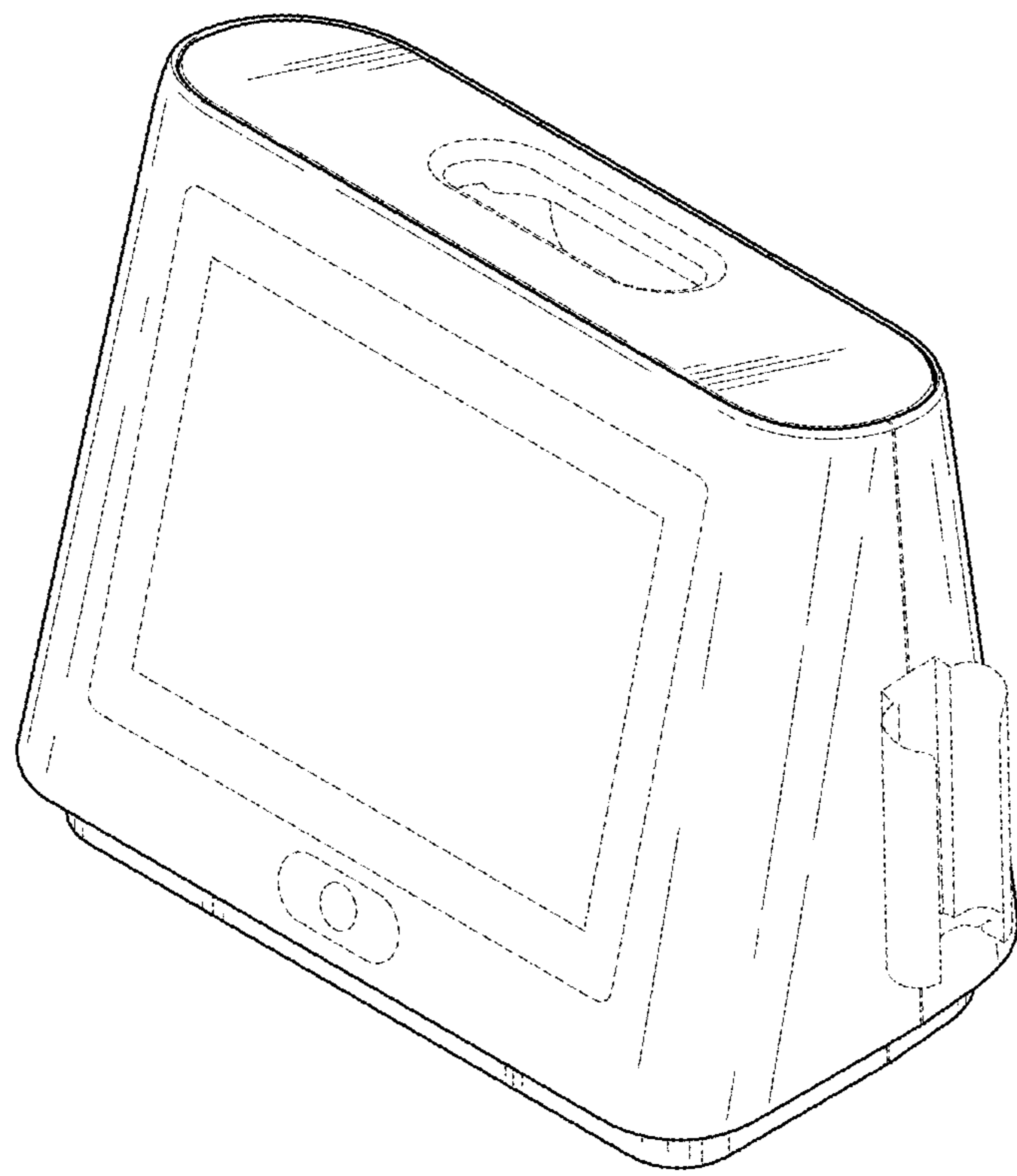
*Fig. 12*



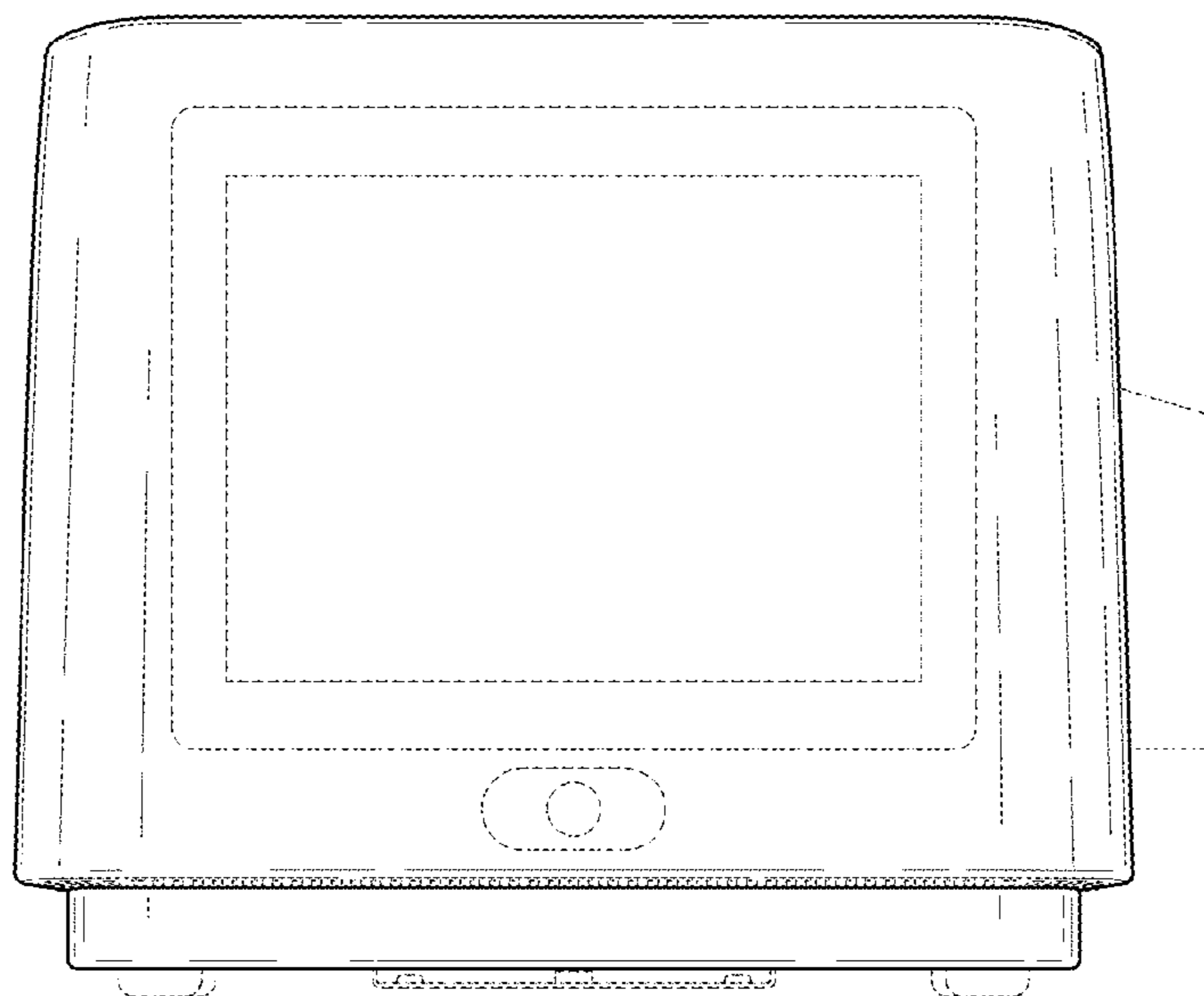
*Fig. 14*



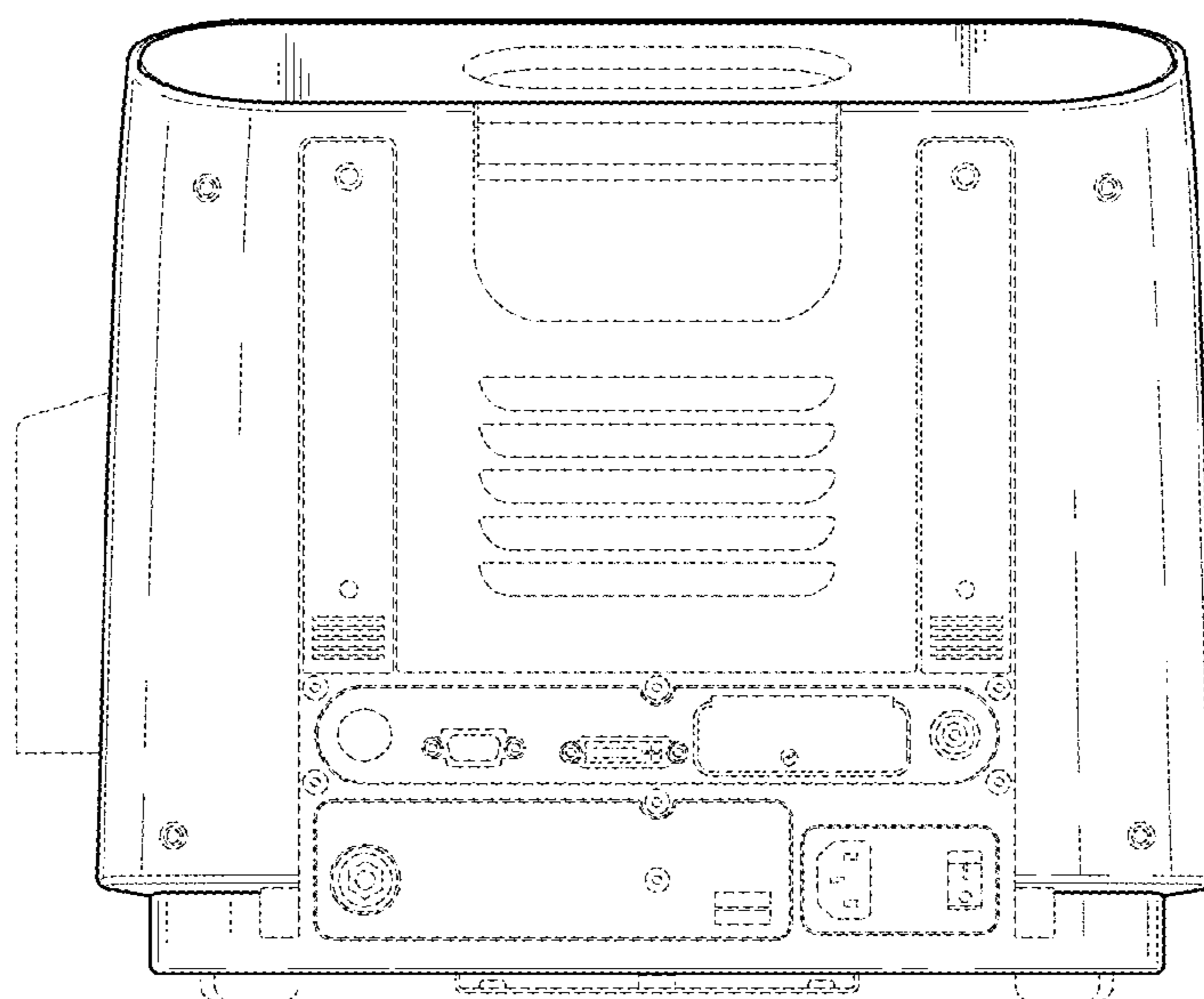
*Fig. 15*



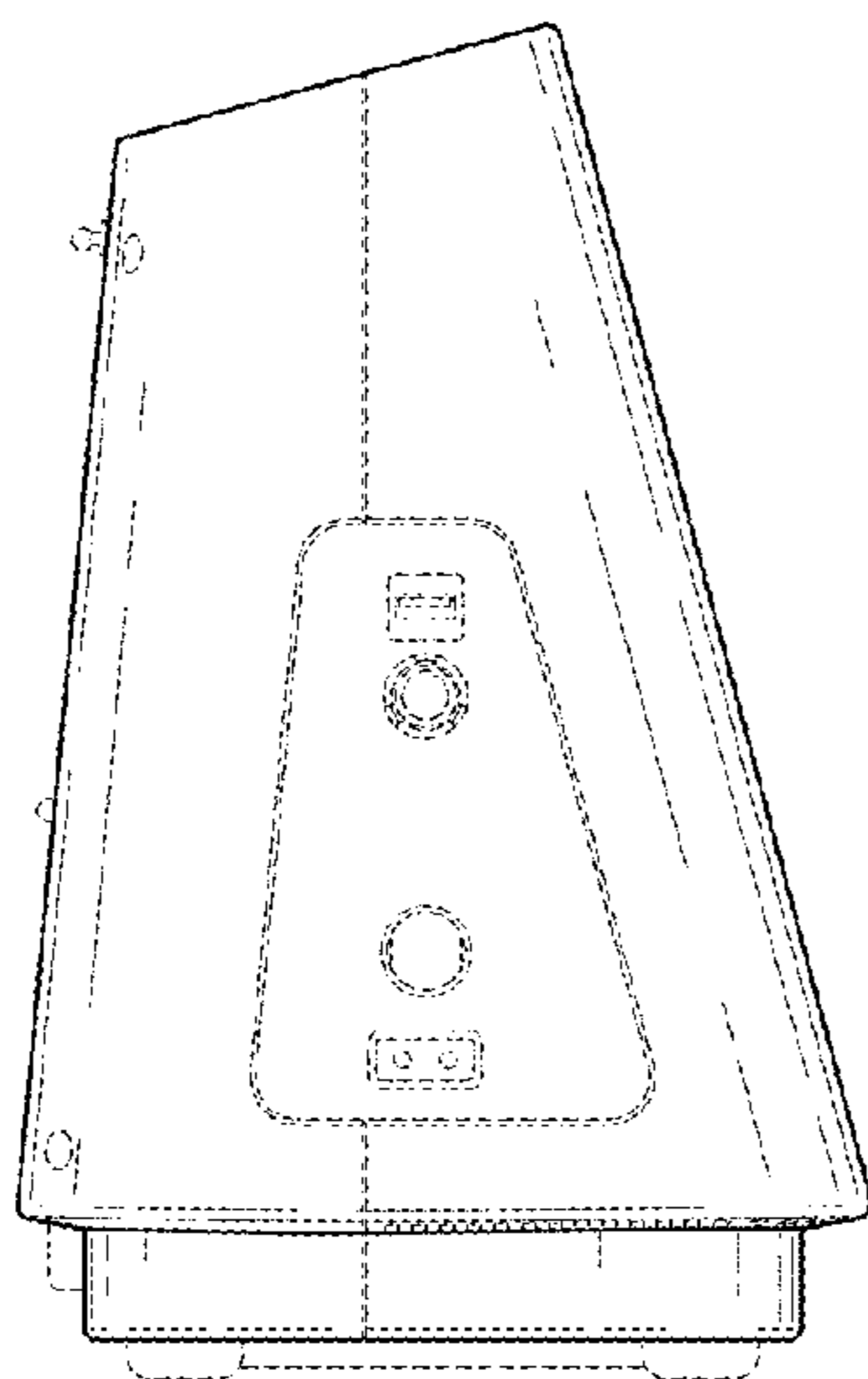
*Fig. 16*



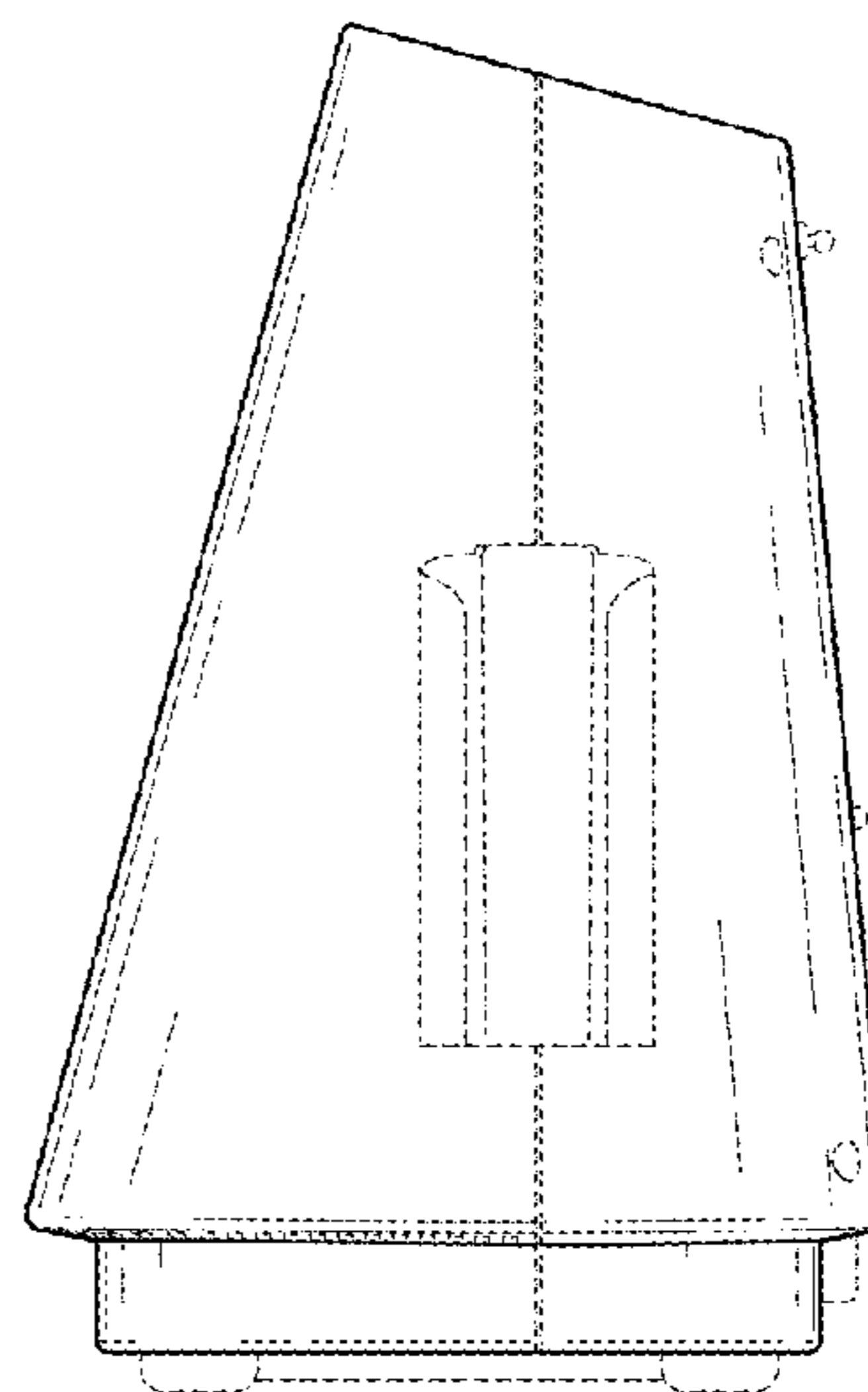
*Fig. 17*



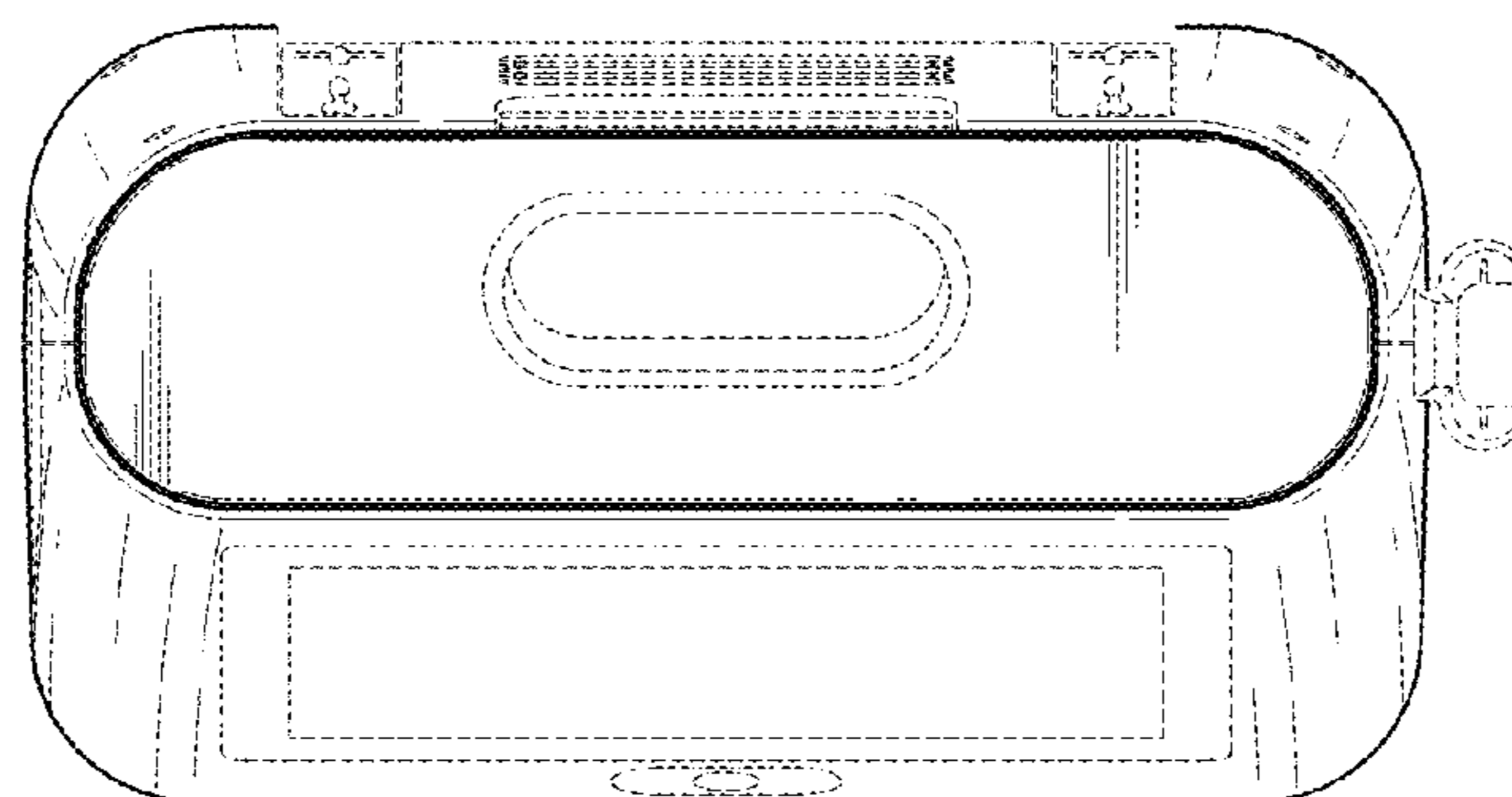
*Fig. 18*



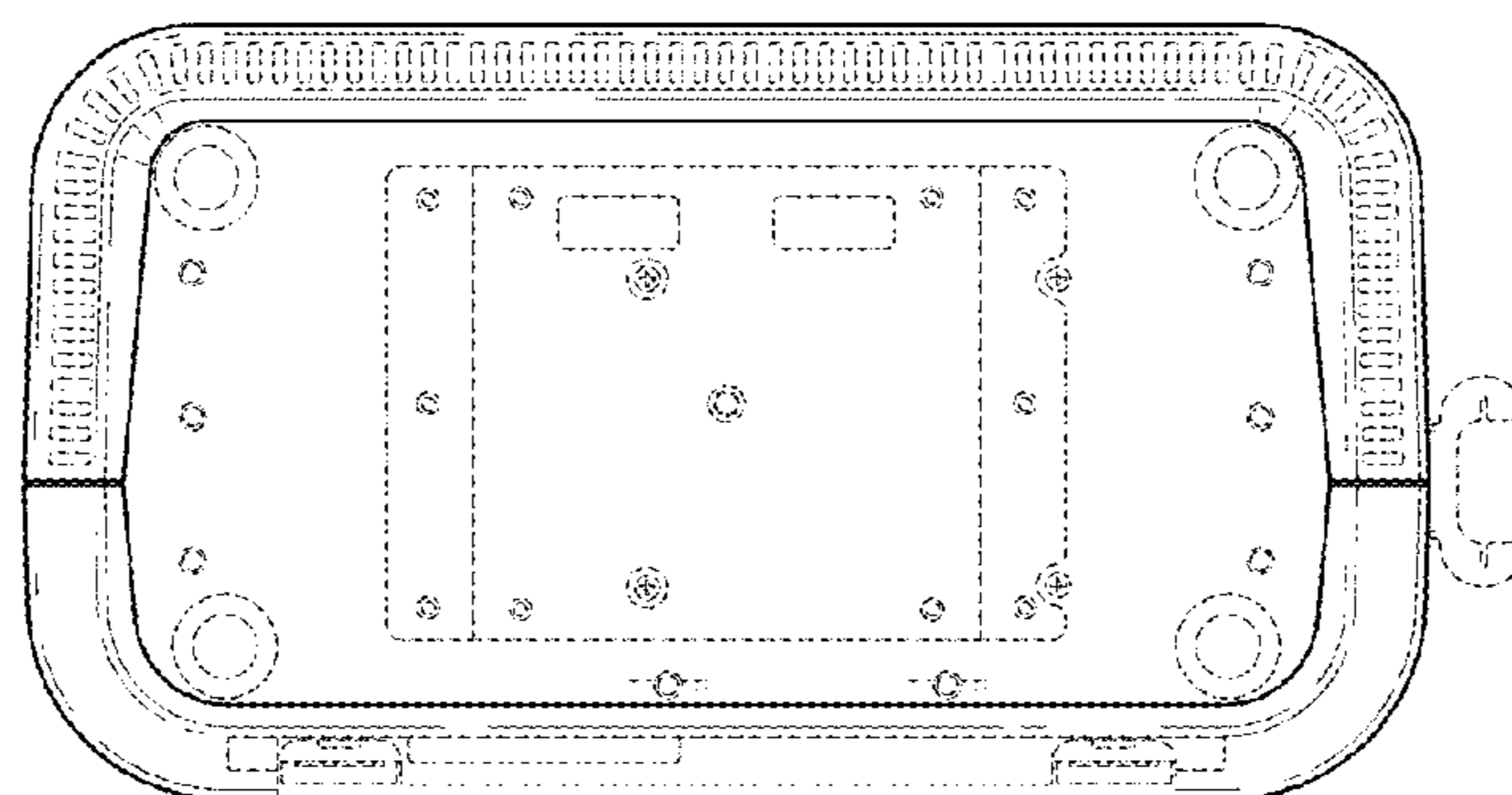
*Fig. 19*



*Fig. 20*



*Fig. 21*



*Fig. 22*