



US00D712832S

(12) **United States Design Patent**  
**Zhou**

(10) **Patent No.:** **US D712,832 S**

(45) **Date of Patent:** **\*\* Sep. 9, 2014**

(54) **PORTABLE POWER SOURCE**

(56) **References Cited**

(71) Applicant: **Shenzhen Lepow Creative Technology Co., Ltd.**, Guangdong (CN)

U.S. PATENT DOCUMENTS

(72) Inventor: **Chaoran Zhou**, Shenzhen (CN)

D361,978	S	*	9/1995	Shirai et al.	.....	D13/103
D414,159	S	*	9/1999	Deslyper et al.	.....	D13/103
D478,866	S	*	8/2003	Nakai	.....	D13/103
D496,629	S	*	9/2004	Hriscu et al.	.....	D13/110
D503,679	S	*	4/2005	Andre et al.	.....	D13/110
D519,922	S	*	5/2006	Andre et al.	.....	D13/110
D568,814	S	*	5/2008	Hung	.....	D13/123
D613,904	S	*	4/2010	Wu et al.	.....	D27/189
2002/0150815	A1	*	10/2002	Ehara	.....	429/90
2013/0082543	A1	*	4/2013	Tang	.....	307/150

(73) Assignee: **Shenzhen Lepow Creative Technology Co., Ltd.**, Shenzhen (CN)

(\*\*) Term: **14 Years**

\* cited by examiner

(21) Appl. No.: **29/483,839**

*Primary Examiner* — Derrick Holland

(22) Filed: **Mar. 4, 2014**

(57) **CLAIM**

(30) **Foreign Application Priority Data**

The ornamental design for a portable power source, as shown and described.

Dec. 30, 2013 (CN) ..... 2013 3 0654263

**DESCRIPTION**

(51) **LOC (10) Cl.** ..... **13-02**

FIG. 1 is a front view of a portable power source showing my new design;

(52) **U.S. Cl.**

FIG. 2 is a rear view thereof;

USPC ..... **D13/110**

FIG. 3 is a left view thereof;

(58) **Field of Classification Search**

FIG. 4 is a right view thereof;

USPC ..... D13/110, 107, 108, 118, 119, 123, 133,  
D13/137.1, 184, 199; D14/251, 432, 434;  
174/53, 54, 59, 61; 307/11, 150, 151;  
320/107, 111, 112, 113, 114, 115;  
361/679.01; 363/142, 146; 439/131,  
439/172, 626, 628, 638

FIG. 5 is a top view thereof;

FIG. 6 is a bottom view thereof;

FIG. 7 is a first perspective view thereof;

FIG. 8 is a second perspective view thereof;

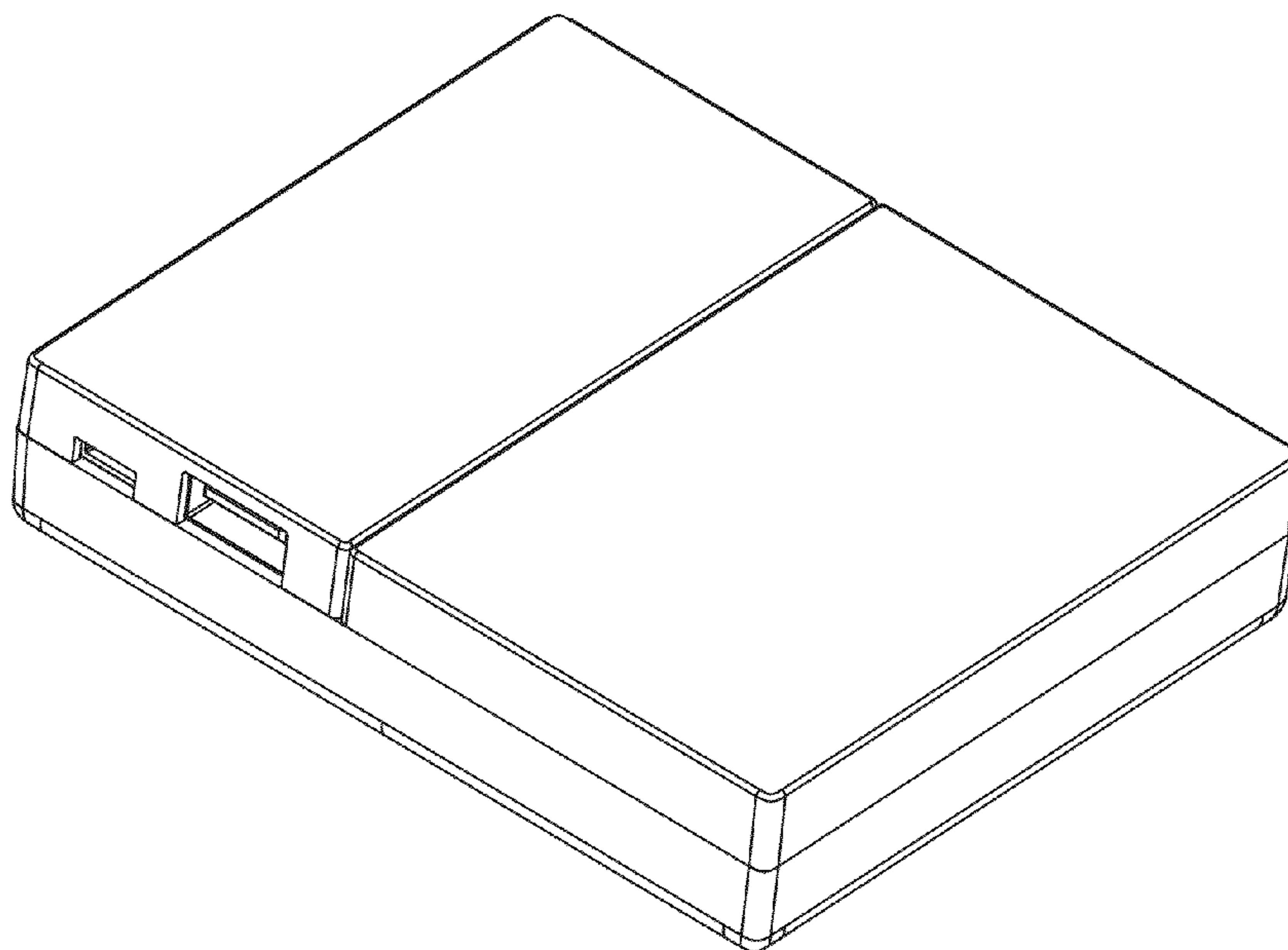
FIG. 9 is a third perspective view thereof;

FIG. 10 is a fourth perspective view thereof; and,

FIG. 11 is a fifth perspective view thereof.

See application file for complete search history.

**1 Claim, 11 Drawing Sheets**



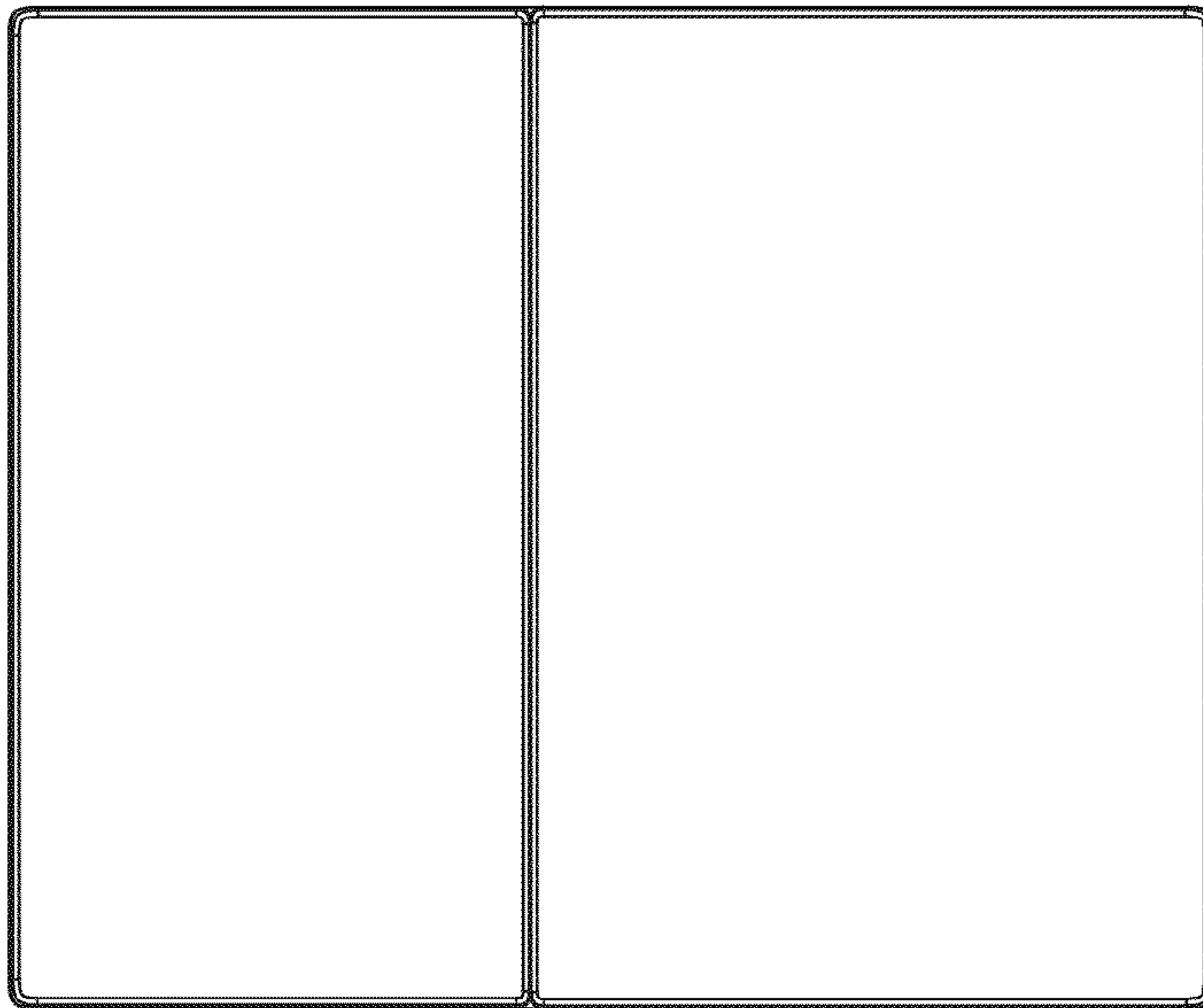


Fig. 1

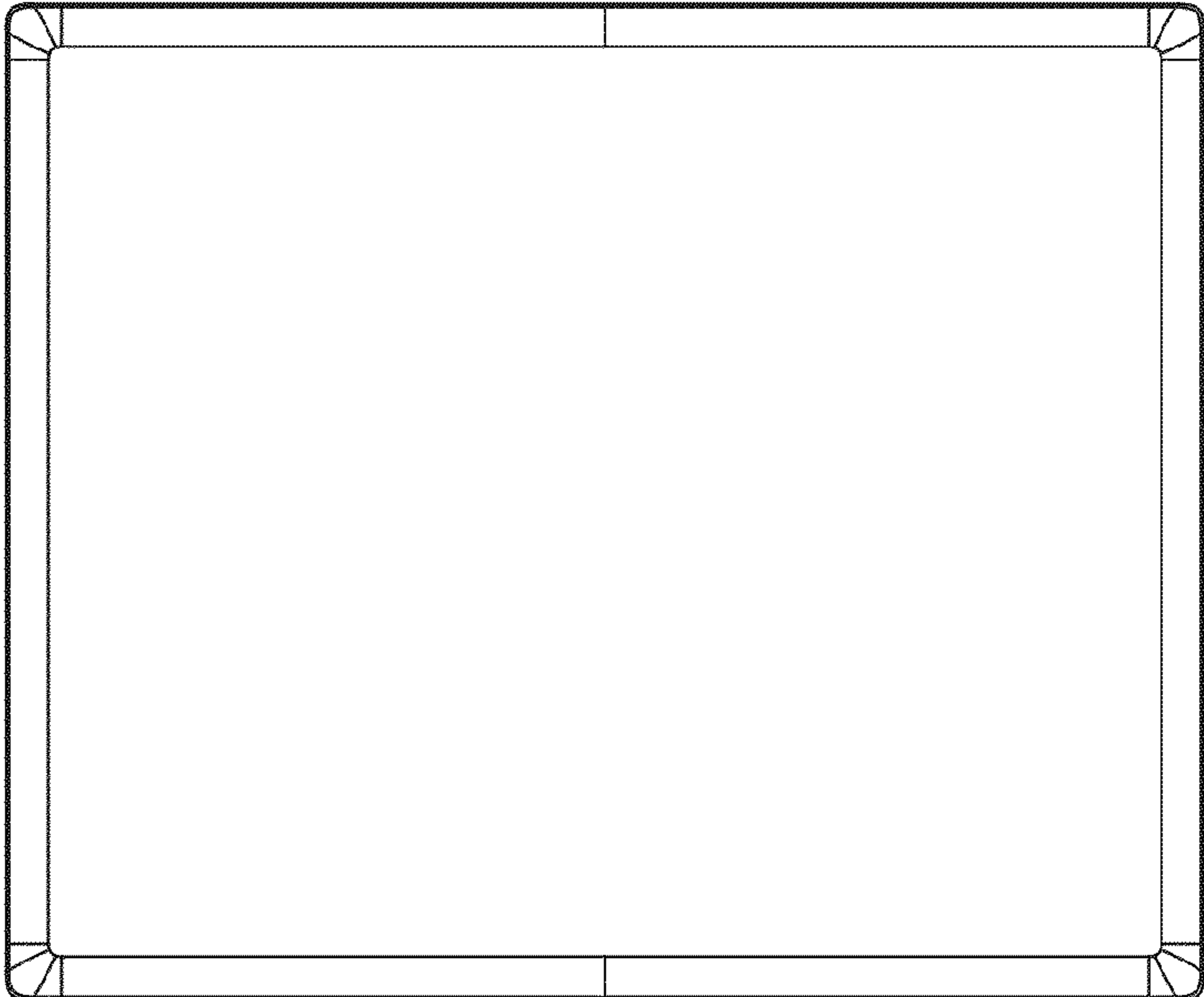


Fig. 2

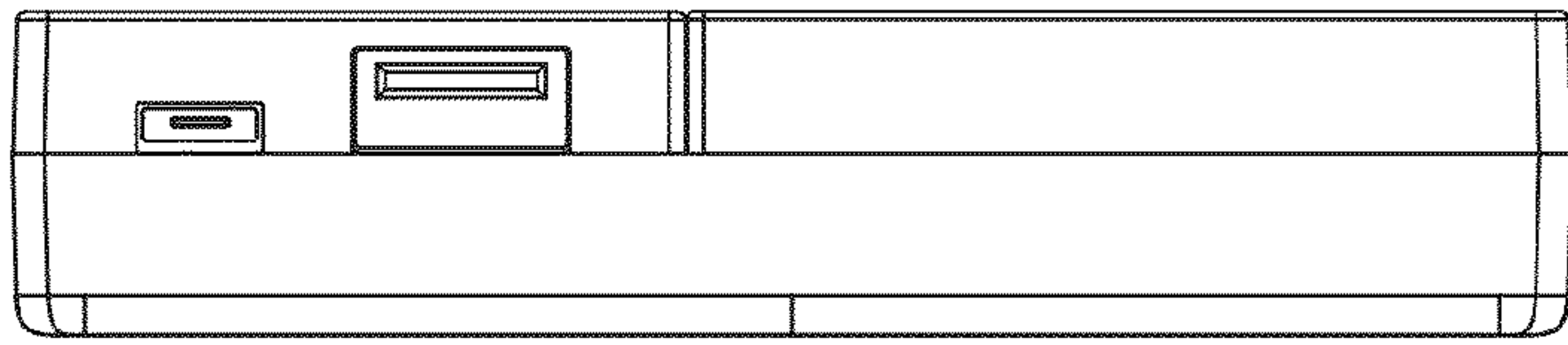


Fig. 3

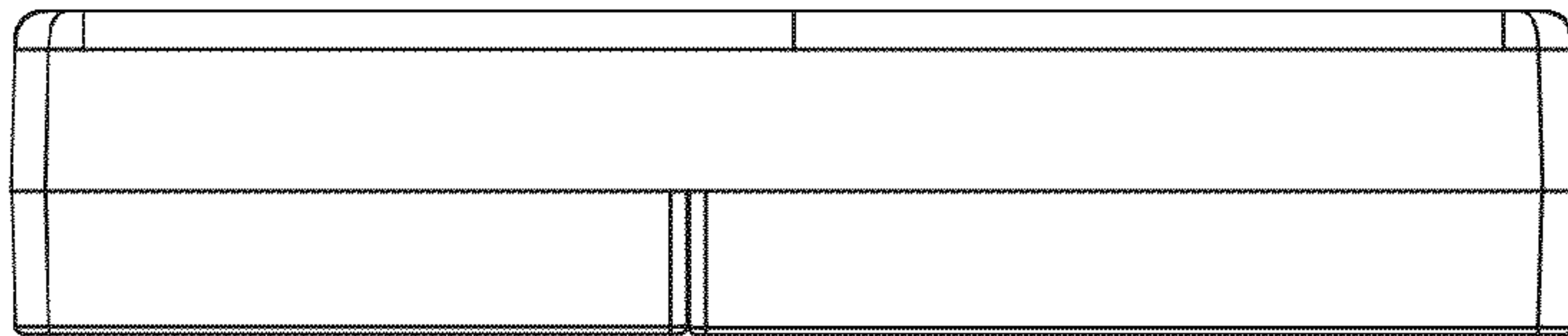


Fig. 4

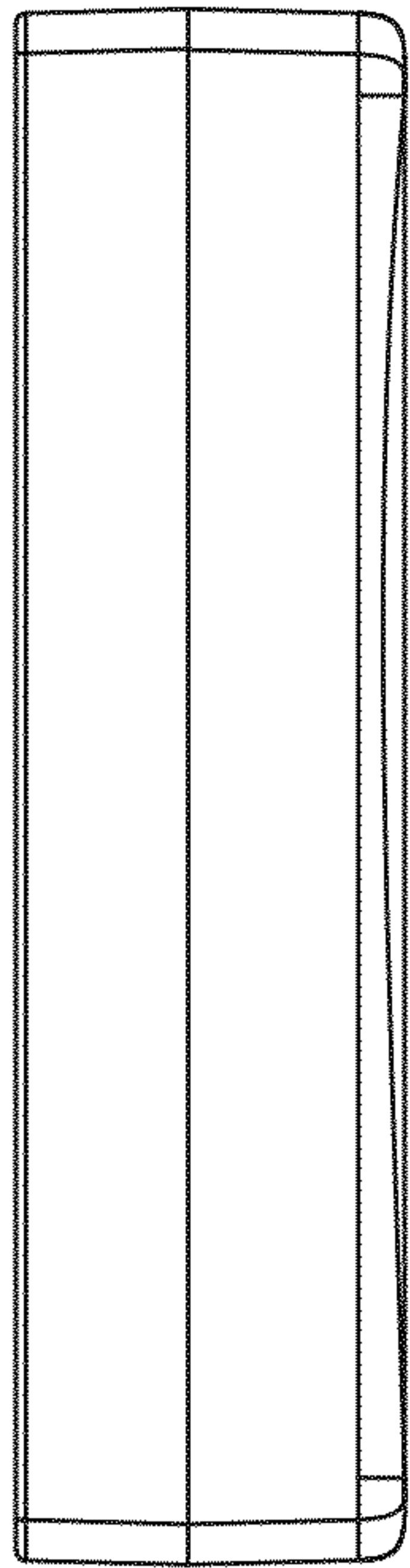


Fig. 5

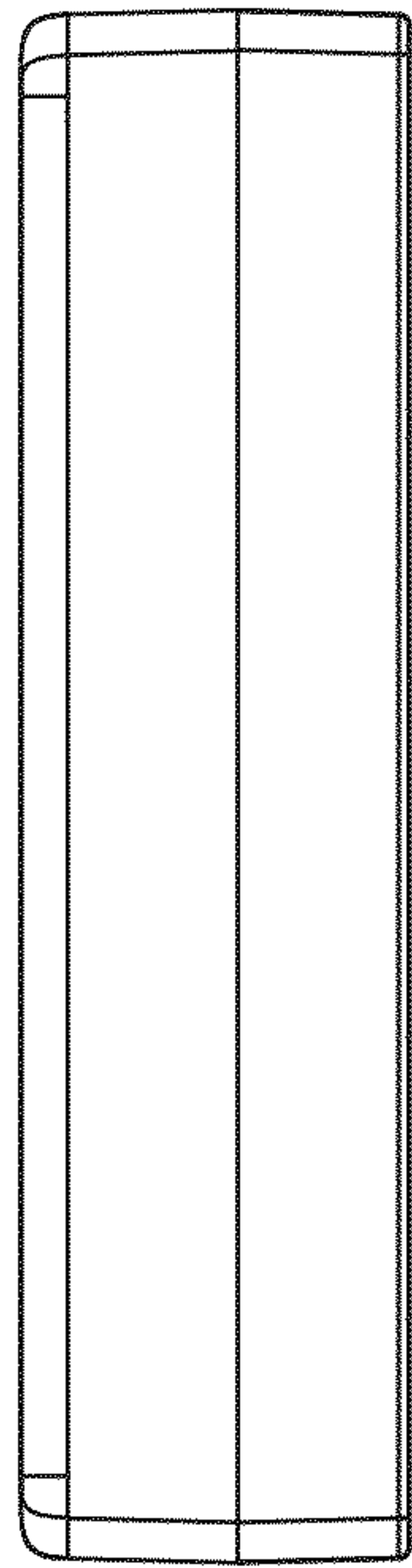


Fig. 6

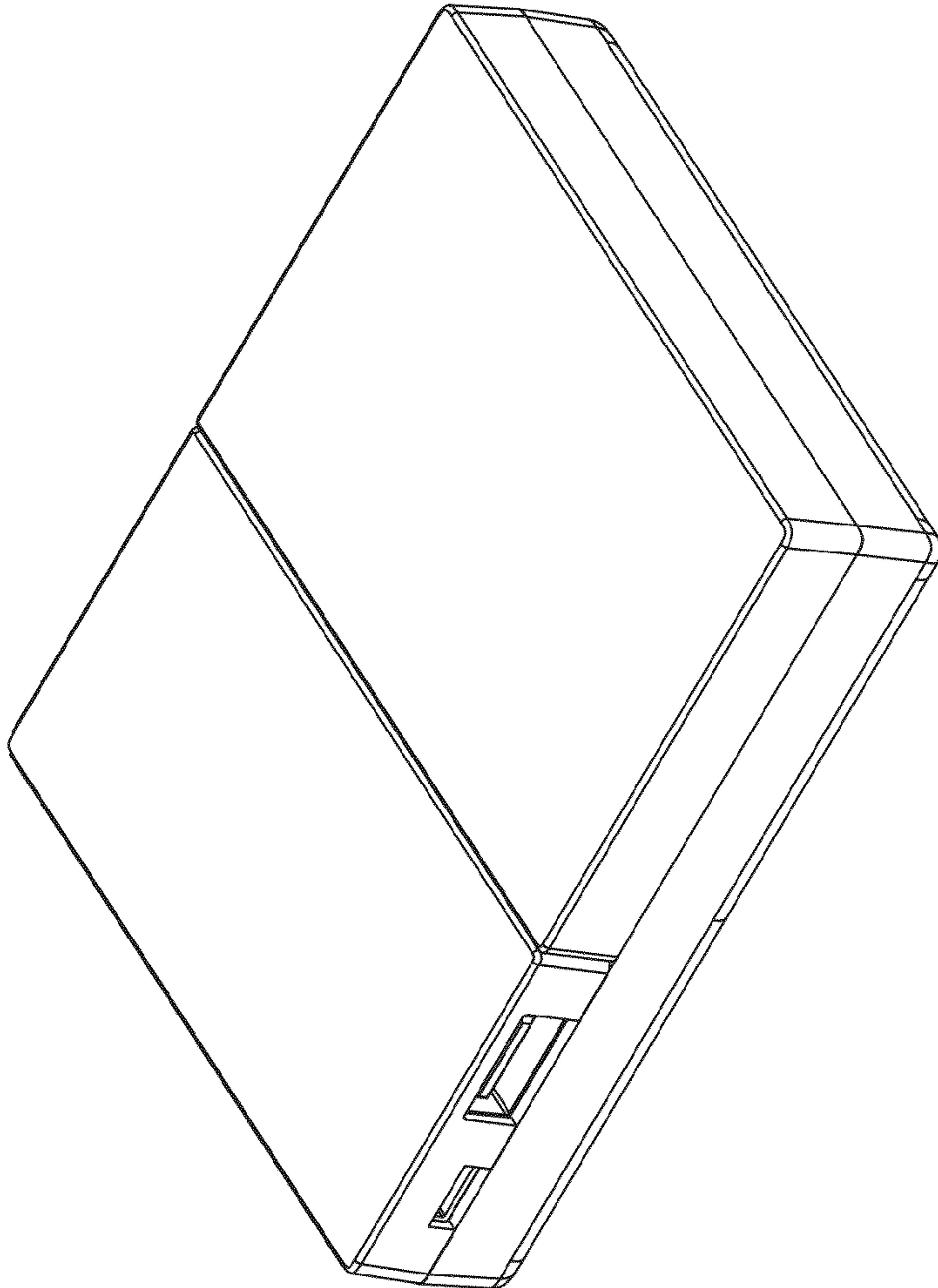


Fig. 7



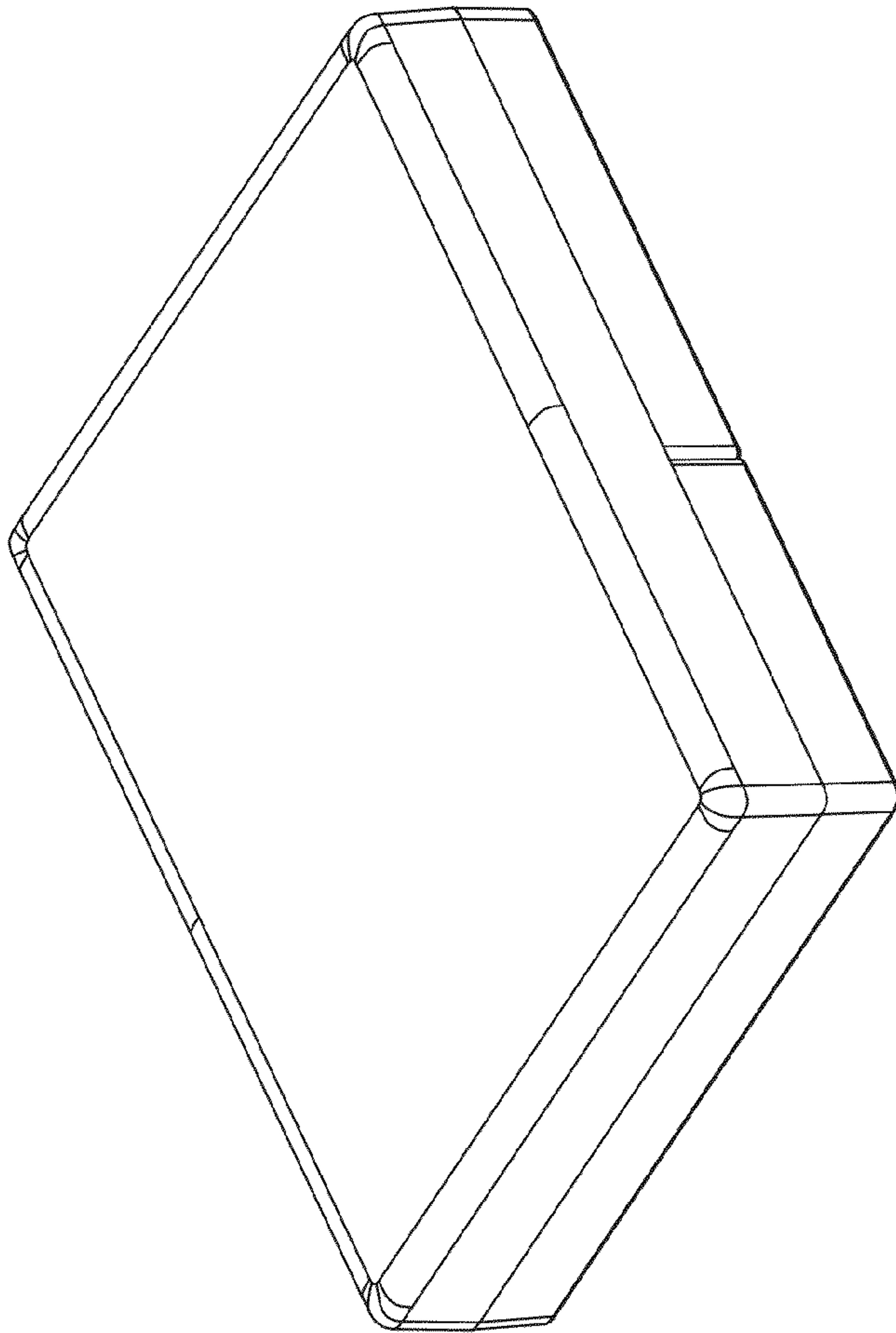


Fig. 8

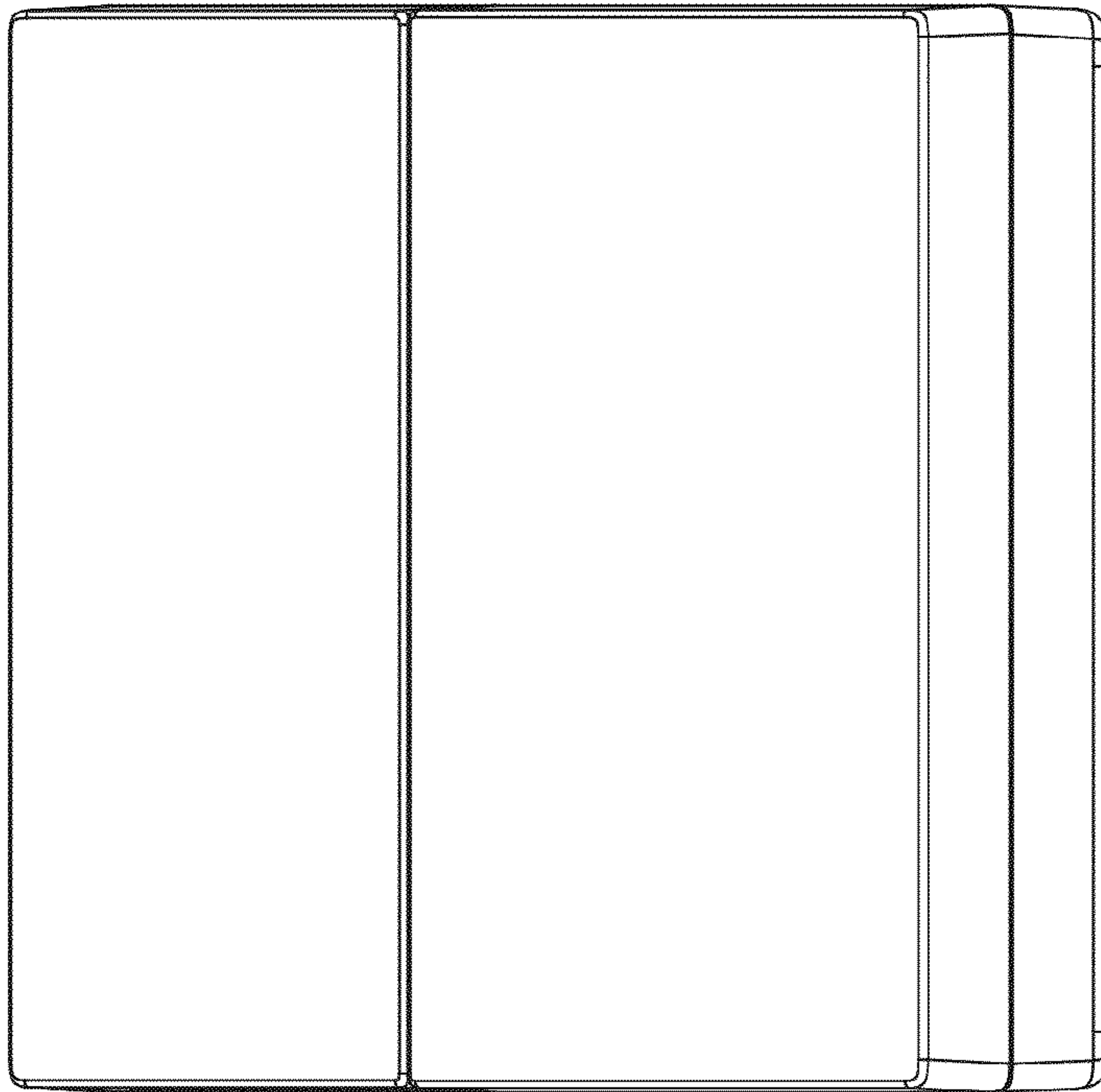


Fig. 9

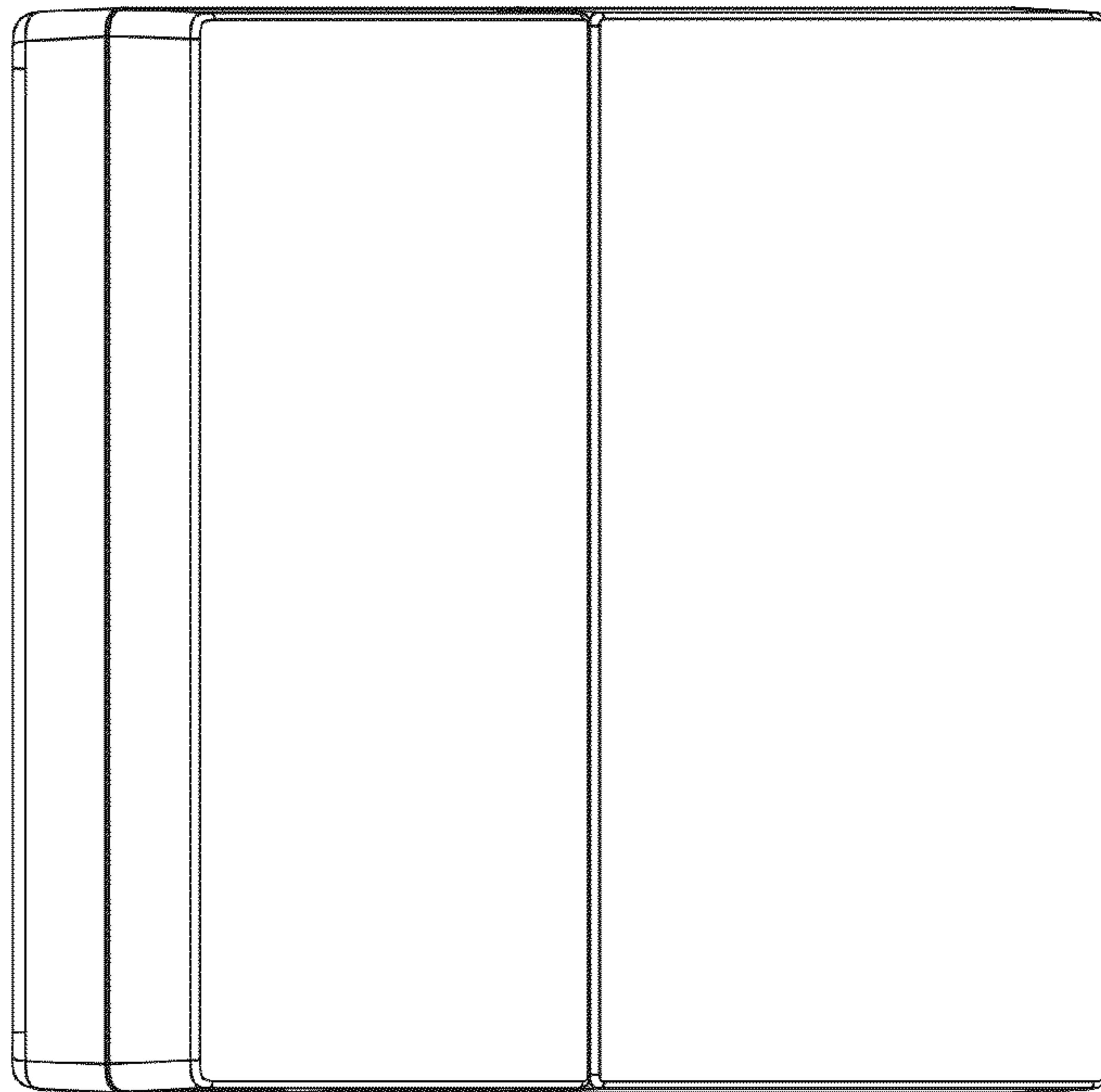


Fig. 10

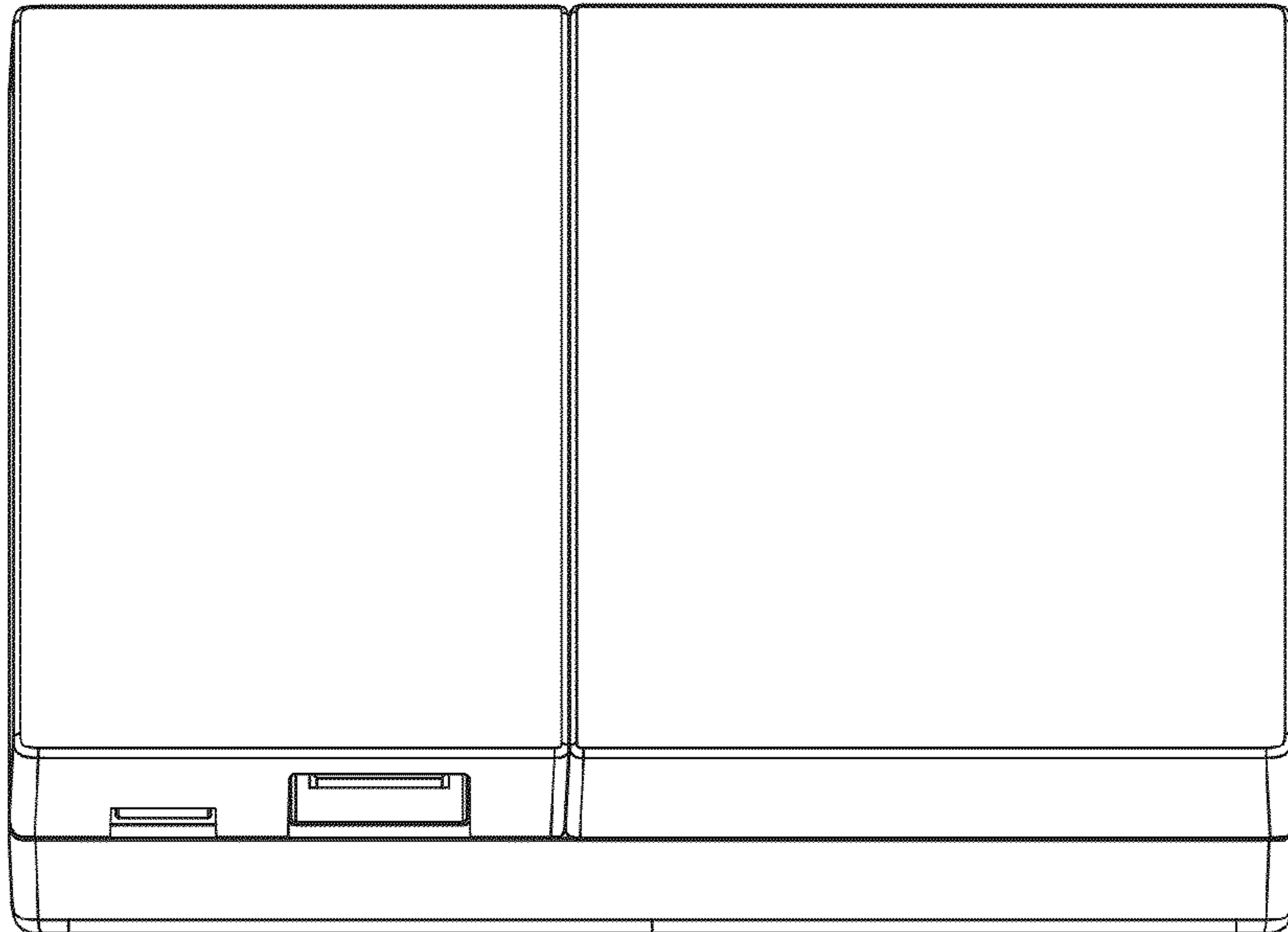


Fig. 11