



US00D712831S

(12) **United States Design Patent**
Zhou

(10) **Patent No.:** **US D712,831 S**
(45) **Date of Patent:** **** Sep. 9, 2014**

(54) **PORTABLE POWER SOURCE**

(56) **References Cited**

(71) Applicant: **Shenzhen Lepow Creative Technology Co., Ltd.**, Guangdong (CN)

(72) Inventor: **Chaoran Zhou**, Shenzhen (CN)

(73) Assignee: **Shenzhen Lepow Creative Technology Co., Ltd.**, Shenzhen (CN)

(**) Term: **14 Years**

(21) Appl. No.: **29/483,837**

(22) Filed: **Mar. 4, 2014**

(30) **Foreign Application Priority Data**

Dec. 23, 2013 (CN) 2013 3 0641402

(51) **LOC (10) Cl.** **13-02**

(52) **U.S. Cl.**
USPC **D13/110**

(58) **Field of Classification Search**
USPC D13/110, 103, 107, 108, 118, 119, 123,
D13/133, 137.1, 184, 199; D14/240, 251,
D14/356, 432, 433, 434; 174/53, 54, 59, 61;
307/11, 150, 151; 320/107, 111, 112,
320/113, 114, 115; 361/679.01; 363/142,
363/146; 439/131, 172, 626, 628, 638

See application file for complete search history.

U.S. PATENT DOCUMENTS

5,019,767	A *	5/1991	Shirai et al.	320/112
D361,978	S *	9/1995	Shirai et al.	D13/103
D446,499	S *	8/2001	Andre et al.	D13/110
D454,110	S *	3/2002	Andre et al.	D13/110
D484,853	S *	1/2004	Alviar	D13/110
D542,221	S *	5/2007	Hriscu et al.	D13/110
D544,834	S *	6/2007	Weinstein	D13/110
D554,584	S *	11/2007	Feldman et al.	D13/110
7,300,302	B2 *	11/2007	Kajiwara et al.	439/485
D575,730	S *	8/2008	Hung	D13/110
D576,100	S *	9/2008	Wang	D13/110
D580,354	S *	11/2008	Dunbar et al.	D13/108
D654,867	S *	2/2012	Huppe	D13/110
D667,788	S *	9/2012	Mai	D13/110

* cited by examiner

Primary Examiner — Derrick Holland

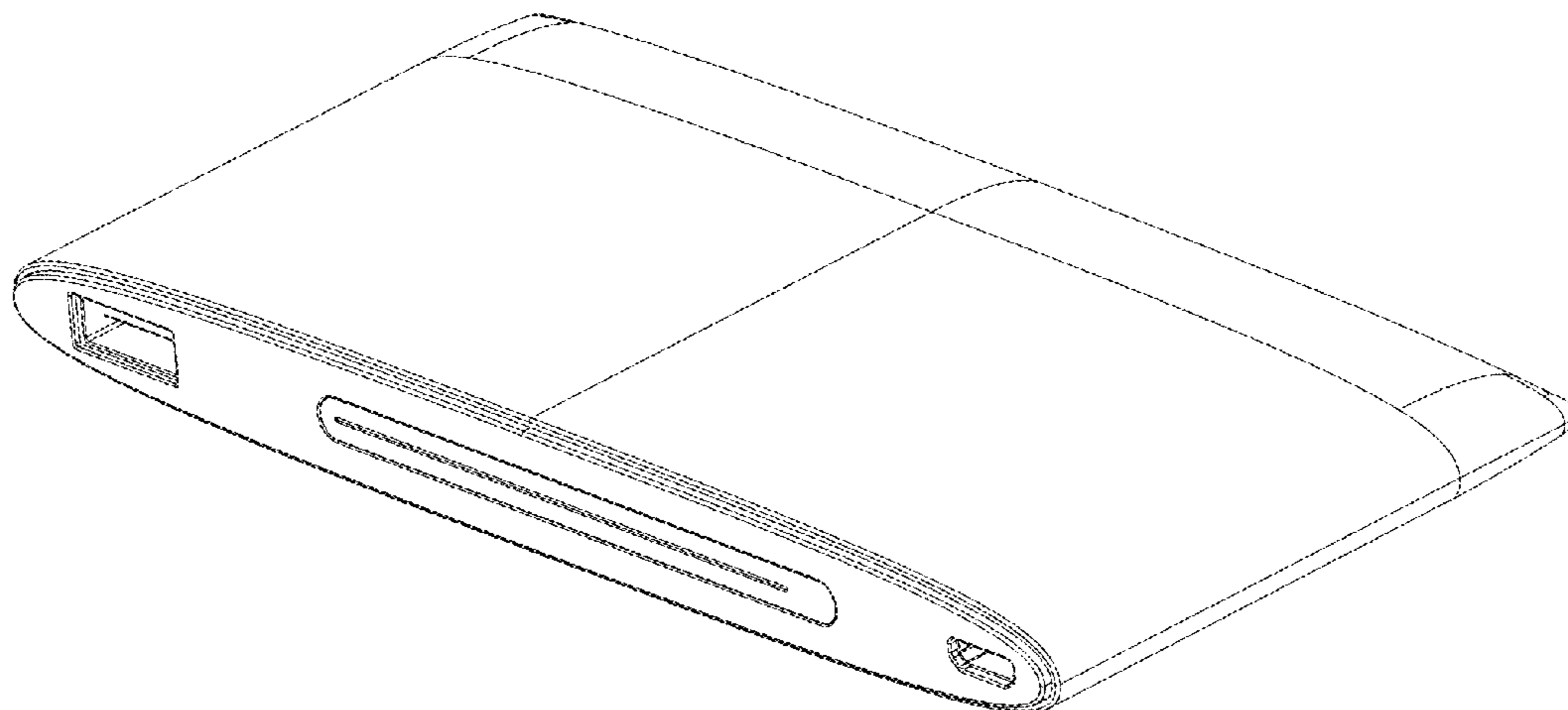
(57) **CLAIM**

The ornamental design for a portable power source, as shown and described.

DESCRIPTION

FIG. 1 is a front view of a portable power source showing my new design;
FIG. 2 is a rear view thereof;
FIG. 3 is a left view thereof;
FIG. 4 is a right view thereof;
FIG. 5 is a top view thereof;
FIG. 6 is a bottom view thereof;
FIG. 7 is a first perspective view thereof;
FIG. 8 is a second perspective view thereof;
FIG. 9 is a third perspective view thereof; and,
FIG. 10 is a fourth perspective view thereof.

1 Claim, 10 Drawing Sheets



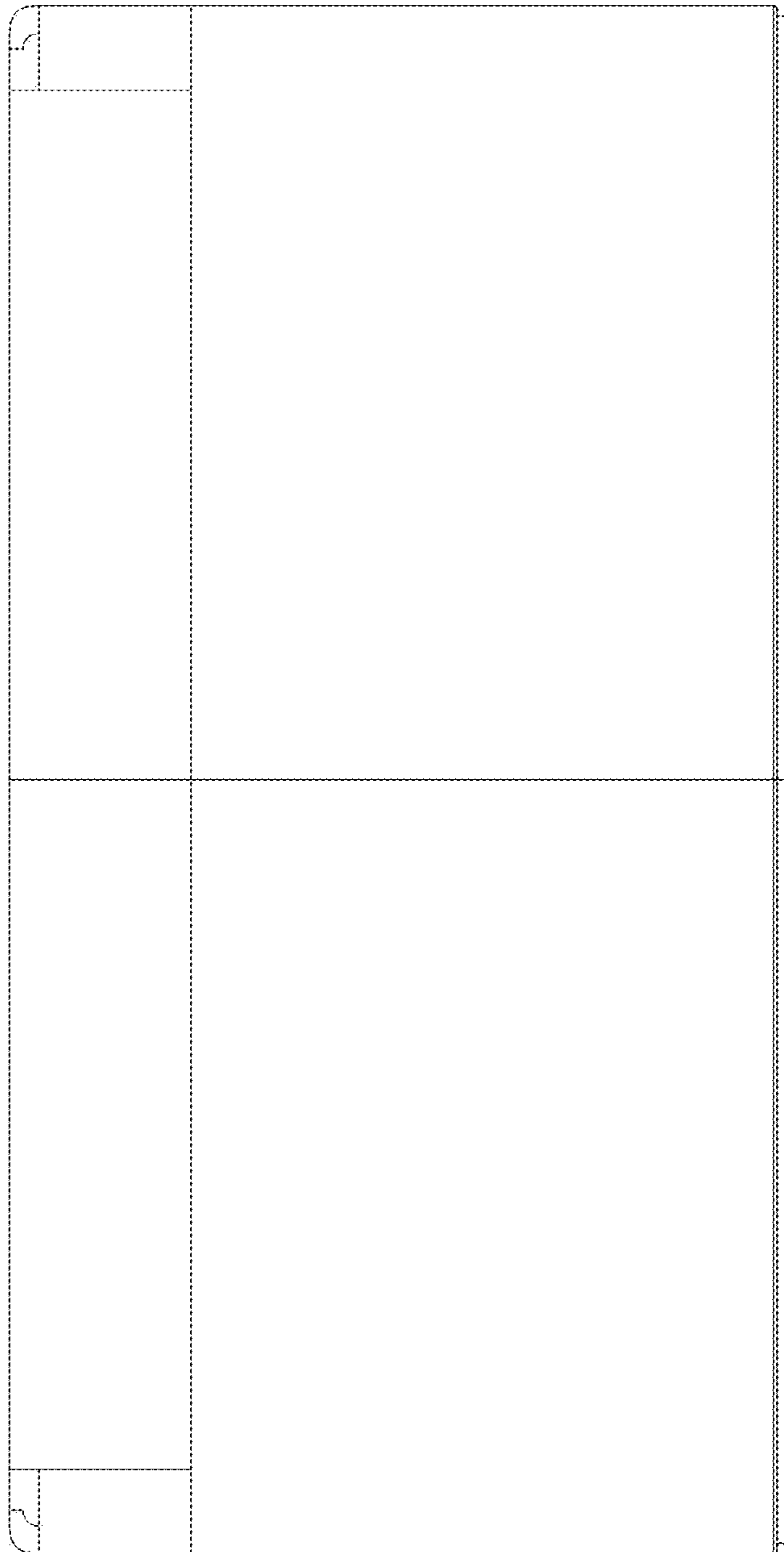


Fig. 1

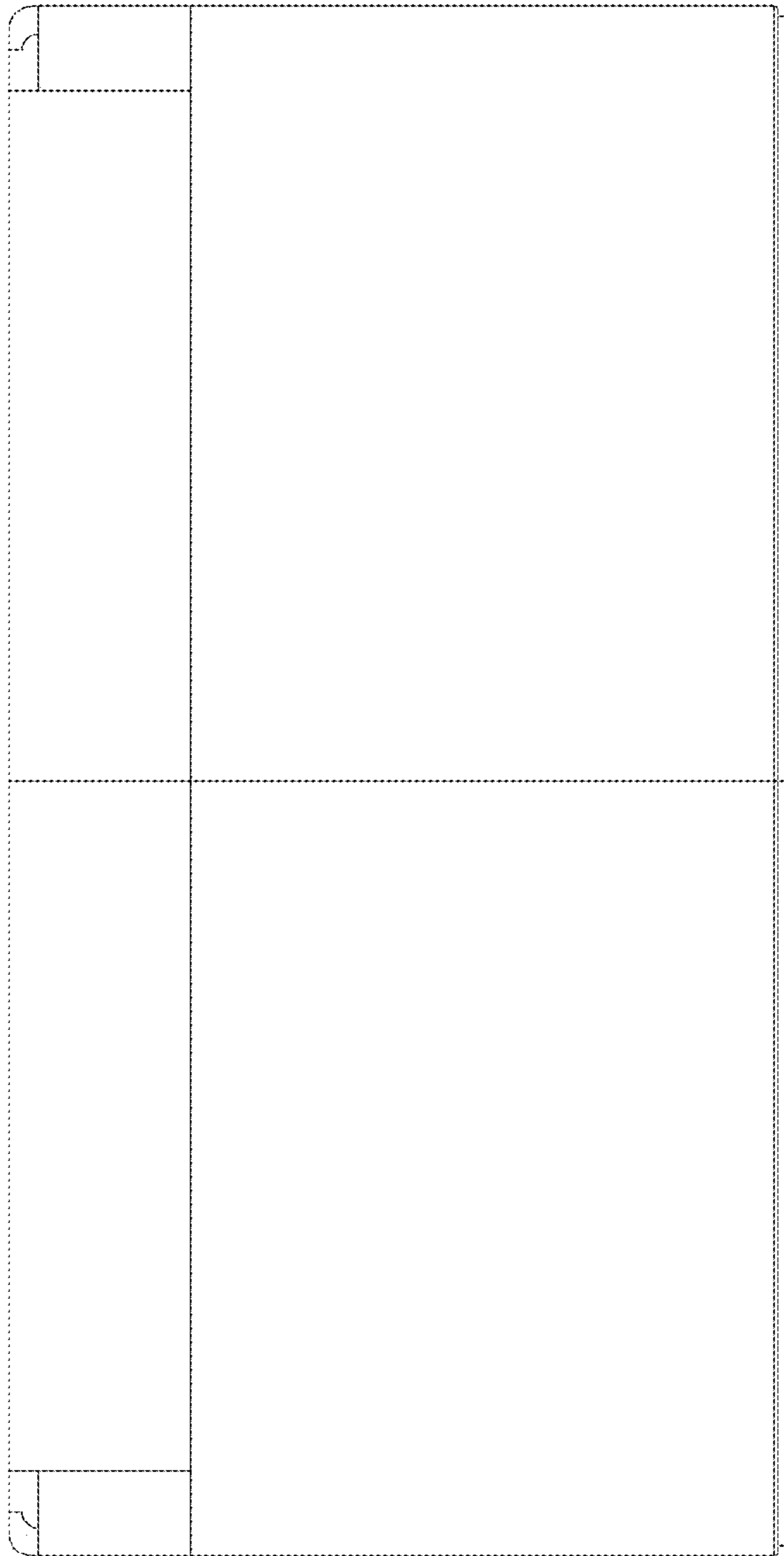


Fig. 2

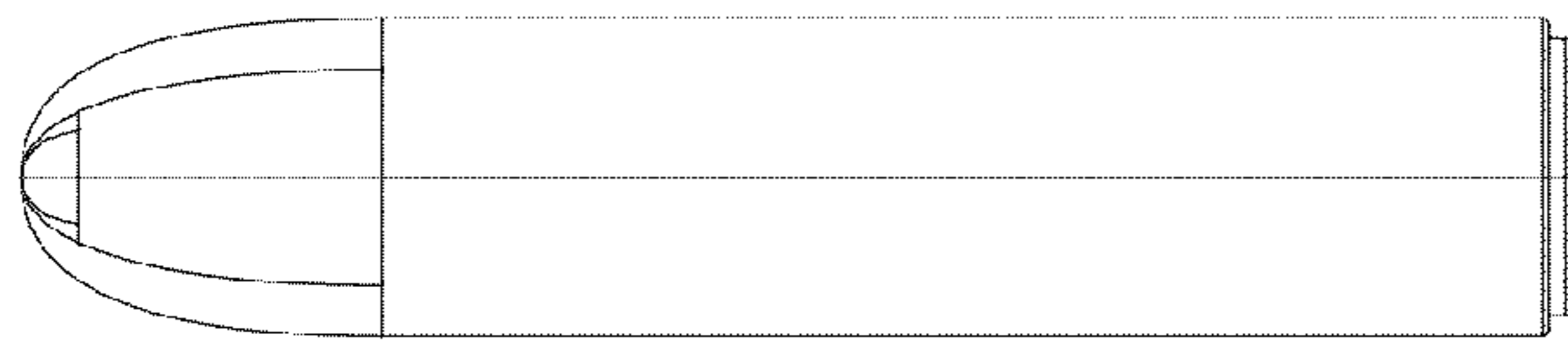


Fig. 3

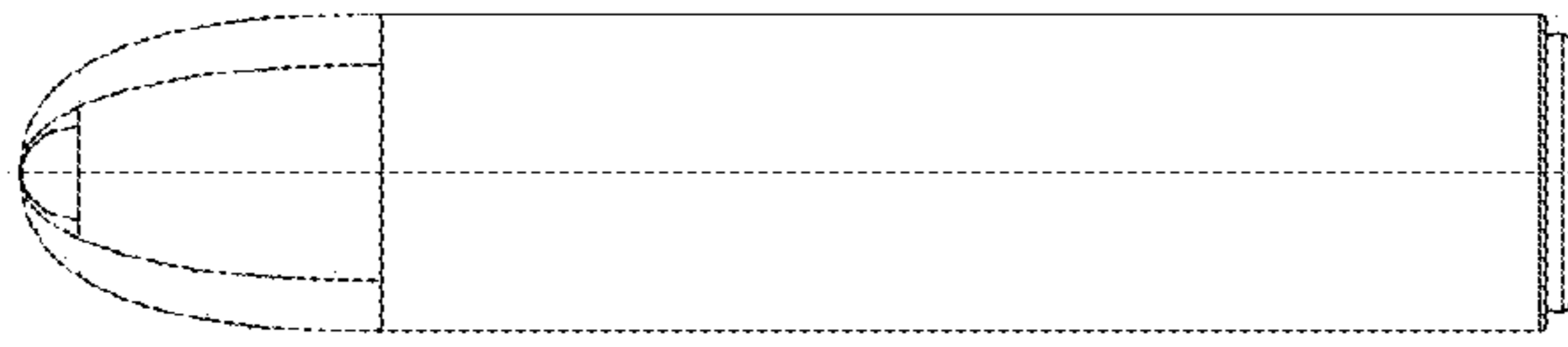


Fig. 4

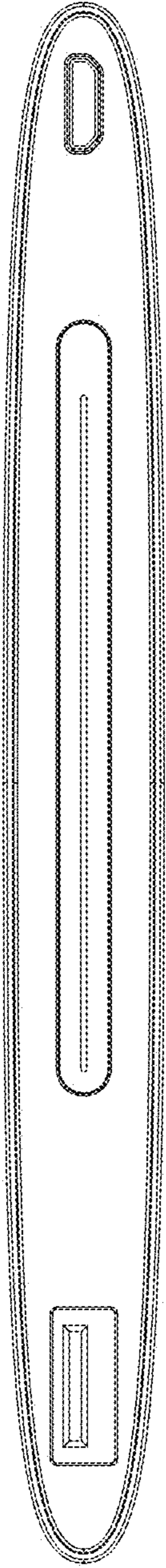


Fig. 5

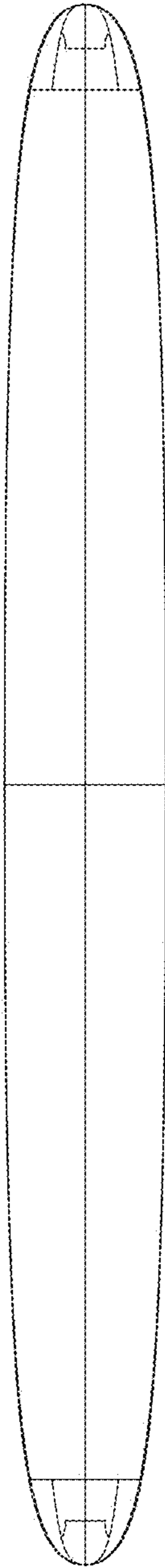


Fig. 6

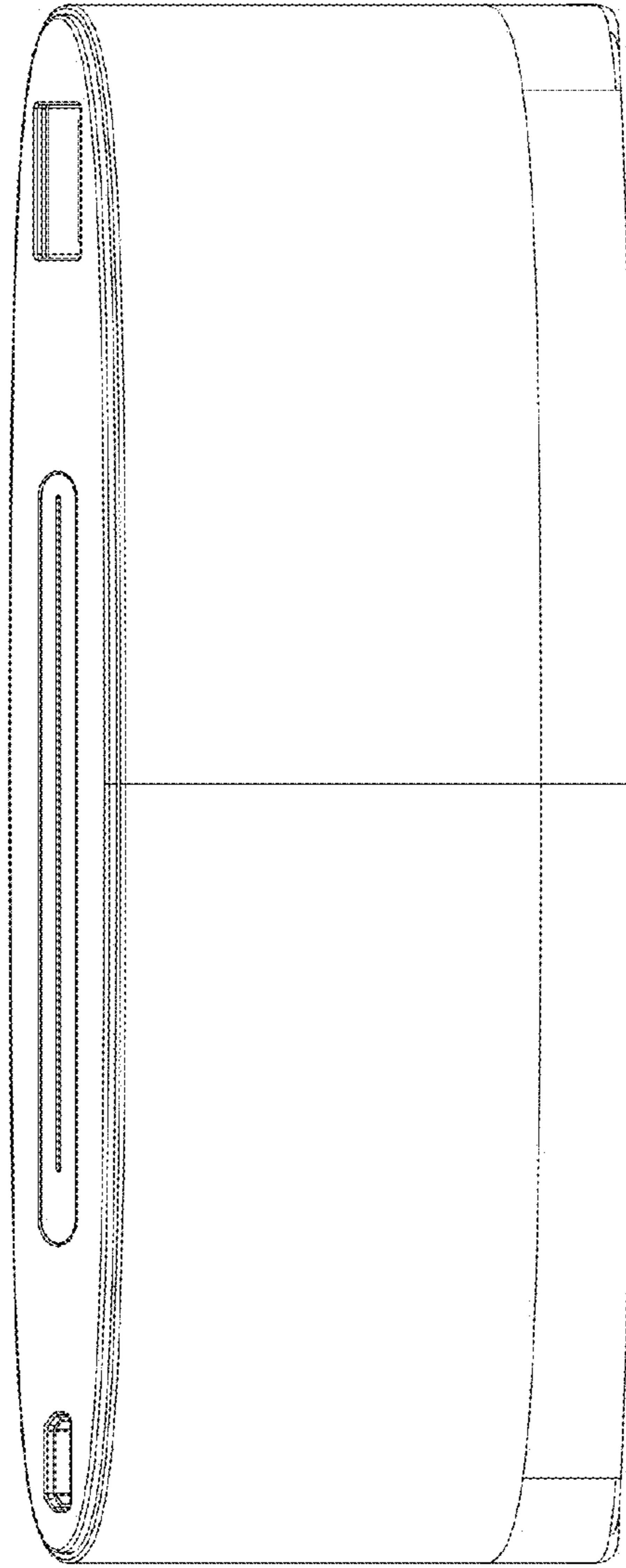


Fig. 7

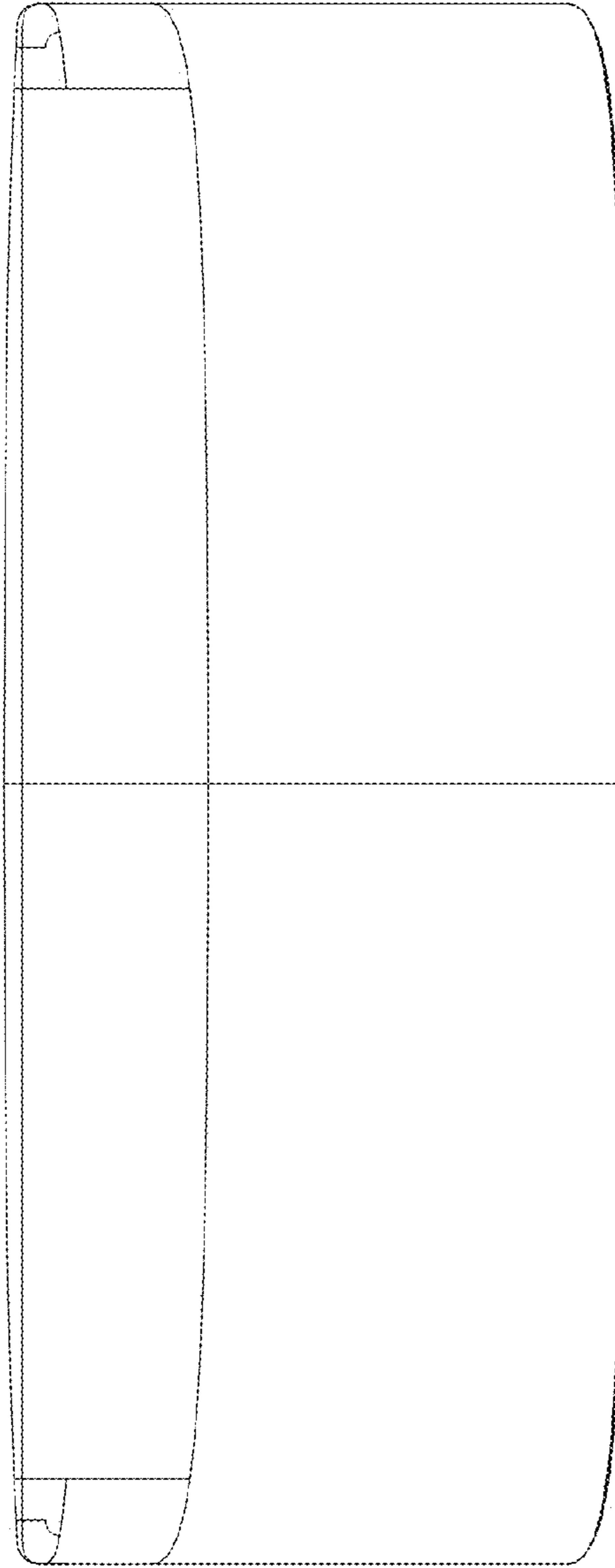


Fig. 8

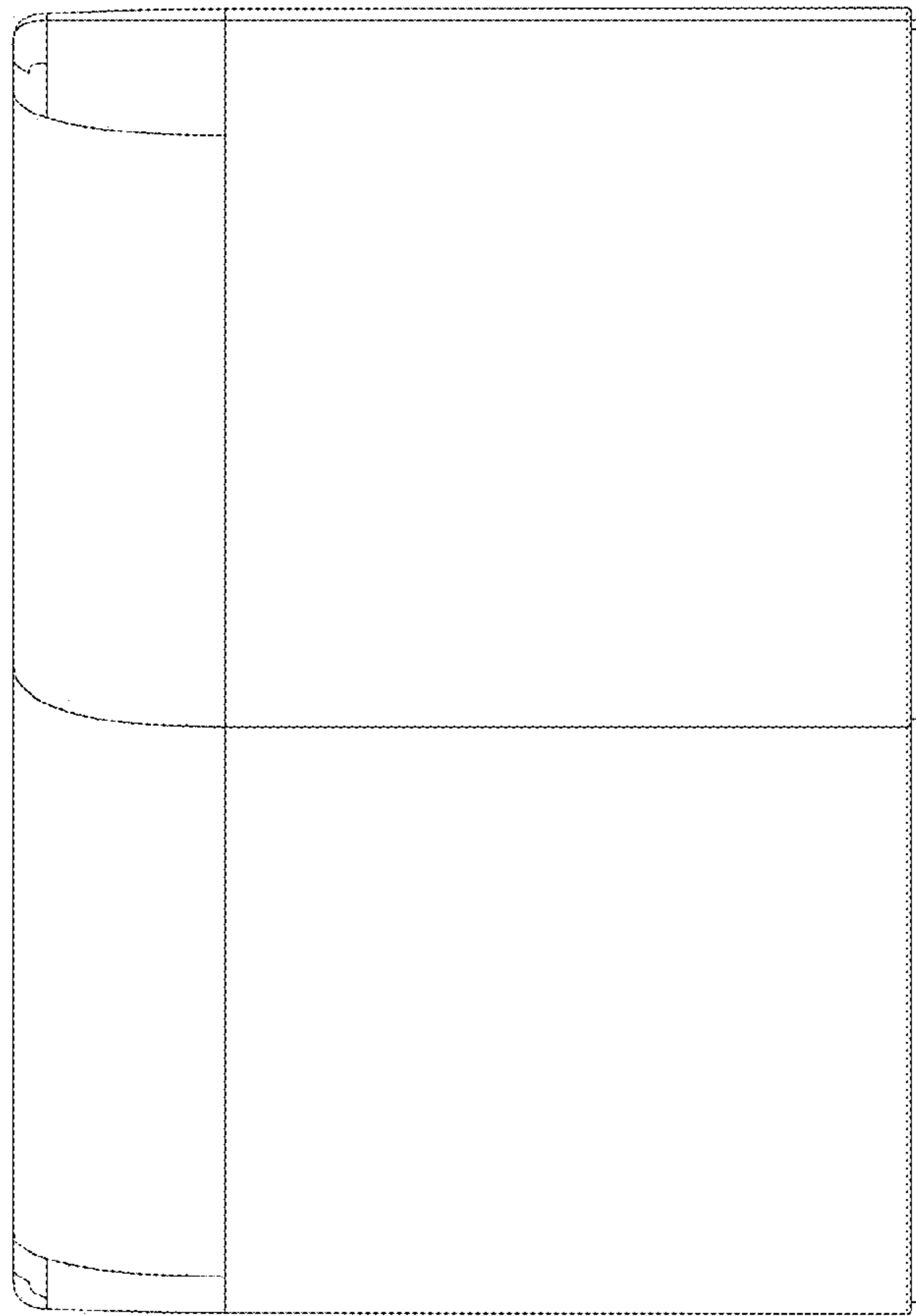


Fig. 9

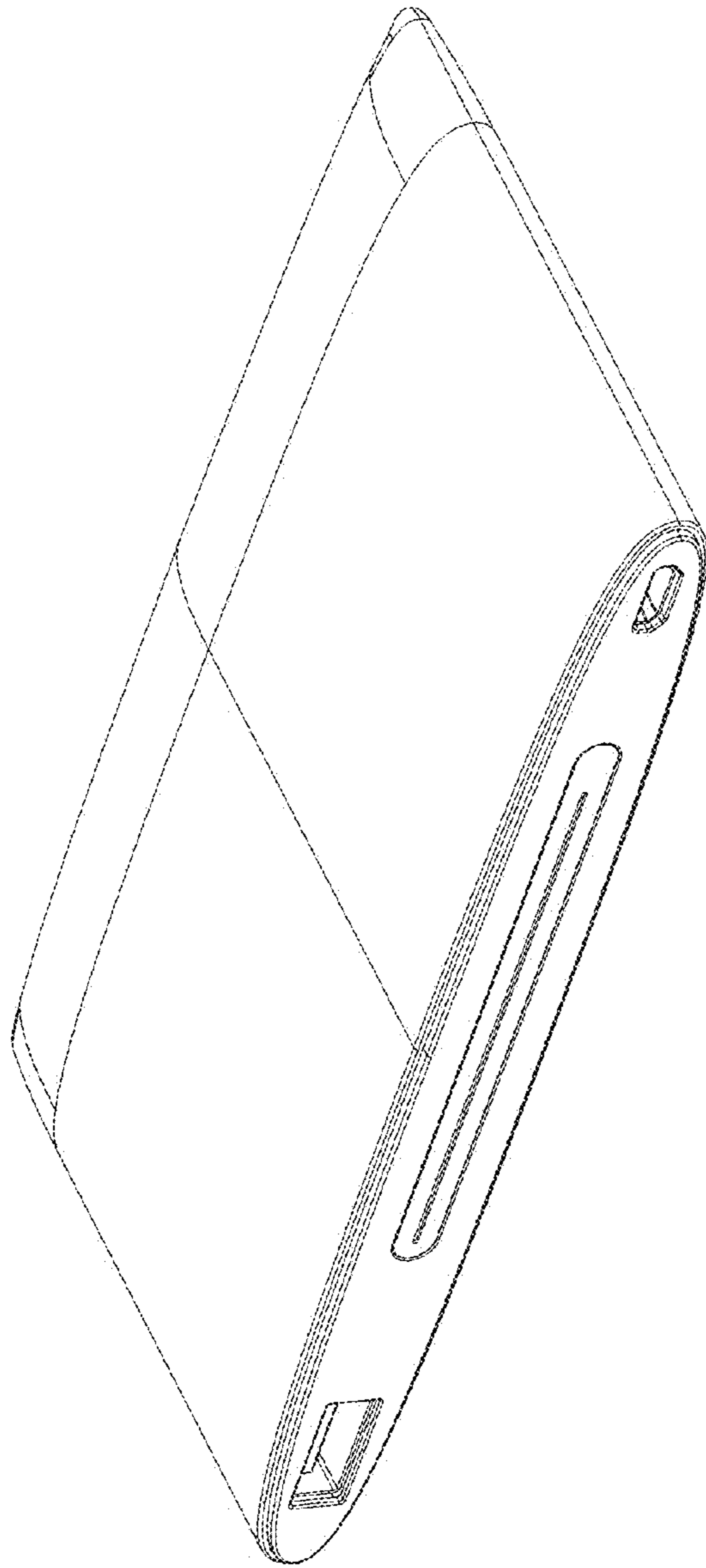


Fig. 10