



US00D712828S

(12) **United States Design Patent**  
**Delrue et al.**

(10) **Patent No.:** **US D712,828 S**

(45) **Date of Patent:** **\*\* Sep. 9, 2014**

(54) **QUAD BATTERY CHARGER**

(71) Applicants: **Valentin Delrue**, Sainghin en Melantois (FR); **Sébastien Moreau**, Lille (FR)

(72) Inventors: **Valentin Delrue**, Sainghin en Melantois (FR); **Sébastien Moreau**, Lille (FR)

(73) Assignee: **Bigben Interactive SA**, Lesquin (FR)

(\*\*) Term: **14 Years**

(21) Appl. No.: **29/458,440**

(22) Filed: **Jun. 19, 2013**

(30) **Foreign Application Priority Data**

Dec. 20, 2012 (EM) ..... 002157438-0001

(51) **LOC (10) Cl.** ..... **13-02**

(52) **U.S. Cl.**  
USPC ..... **D13/108**

(58) **Field of Classification Search**

USPC ..... D13/107-110, 118-119, 184, 199;  
D14/251, 253, 432, 434; 320/107-115  
See application file for complete search history.

(56) **References Cited**

**U.S. PATENT DOCUMENTS**

D241,555 S *	9/1976	Goldman et al. ....	D13/107
D278,704 S *	5/1985	Claxton et al. ....	D13/107
D397,084 S *	8/1998	Siddoway ....	D13/107
D444,472 S *	7/2001	Russell et al. ....	D14/434
D461,814 S *	8/2002	Felix et al. ....	D14/434
D476,659 S *	7/2003	Ying et al. ....	D14/434
D509,788 S *	9/2005	Schlieffers et al. ....	D13/108
D510,562 S *	10/2005	Lodato et al. ....	D13/108
D519,921 S *	5/2006	Claxton et al. ....	D13/108
D520,447 S *	5/2006	Liu ....	D13/108
D530,667 S *	10/2006	Viduya et al. ....	D13/107

D538,740 S *	3/2007	Dunbar ....	D13/108
D551,163 S *	9/2007	Hamasaki et al. ....	D13/107
D579,408 S *	10/2008	Benyameen ....	D13/107
D588,536 S *	3/2009	Wahl et al. ....	D13/108
D597,940 S *	8/2009	Navid ....	D13/108

(Continued)

*Primary Examiner* — Rosemary K Tarca

(74) *Attorney, Agent, or Firm* — Fross Zelnick Lehrman & Zissu, P.C.; Charles T.J. Weigell, Esq.

(57) **CLAIM**

The ornamental design for a quad battery charger, as shown and described.

**DESCRIPTION**

FIG. 1 is a front perspective view of a battery showing my new design;

FIG. 2 is a rear perspective view of the battery shown in FIG. 1;

FIG. 3 is a front view of the battery shown in FIG. 1;

FIG. 4 is a rear view of the battery shown in FIG. 1;

FIG. 5 is a left side view of the battery shown in FIG. 1;

FIG. 6 is a right side view of the battery shown in FIG. 1;

FIG. 7 is a top view of the battery shown in FIG. 1;

FIG. 8 is a bottom view of the battery shown in FIG. 1;

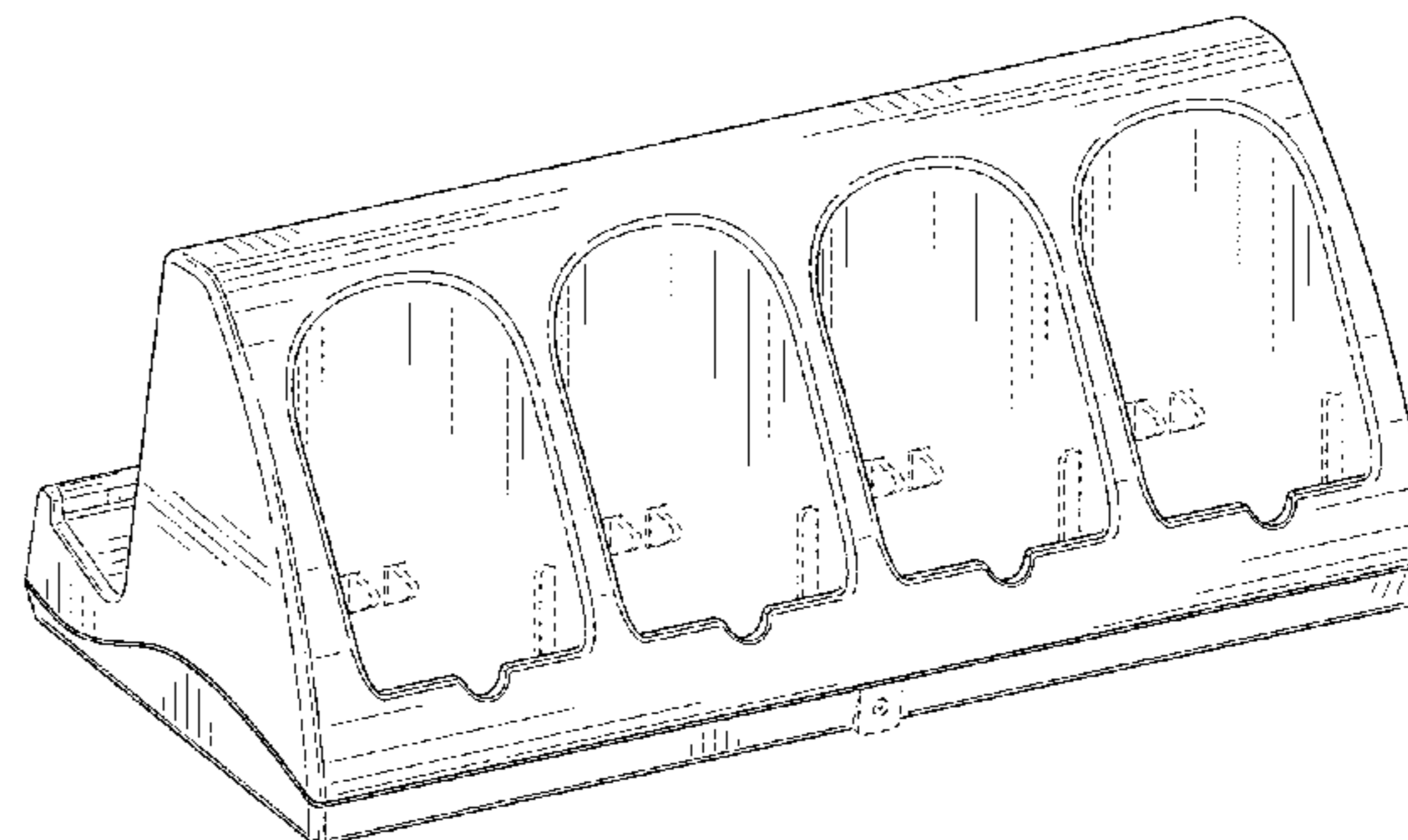
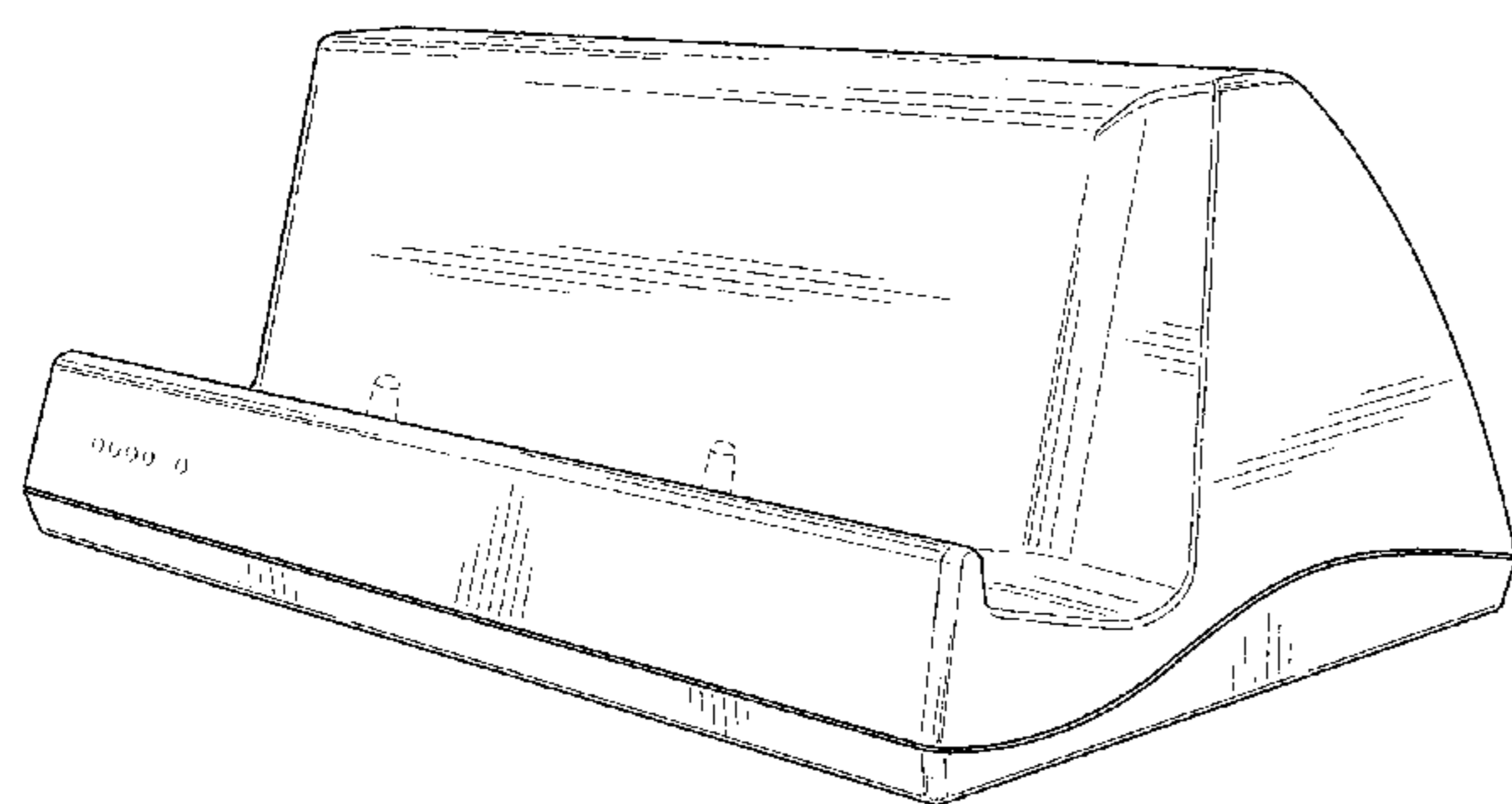
FIG. 9 is a front perspective view of the battery shown in FIG. 1 shown supporting a gaming device; and,

FIG. 10 is a rear perspective view of the battery shown in FIG. 1 shown supporting multiple gaming devices.

The broken line showing of gaming devices in FIGS. 9 and 10 is meant to illustrate possible use and forms no part of the claimed design.

The broken line showing of the attachment points and contacts, plug attachment, display lights and base are included for the purpose of illustrating environmental structure and form no part of the claimed design.

**1 Claim, 7 Drawing Sheets**



(56)

**References Cited**

U.S. PATENT DOCUMENTS

D601,953 S \* 10/2009 Asai ..... D13/107  
D633,039 S \* 2/2011 Nomi et al. .... D13/108  
8,183,825 B2\* 5/2012 Sa ..... 320/107

D680,066 S \* 4/2013 Kinoshita et al. .... D13/107  
8,482,251 B2 \* 7/2013 McGary et al. .... 320/114  
2004/0080298 A1\* 4/2004 Maggert et al. .... 320/107  
2011/0084657 A1\* 4/2011 Toya et al. .... 320/108  
2011/0127959 A1\* 6/2011 McGary et al. .... 320/114

\* cited by examiner

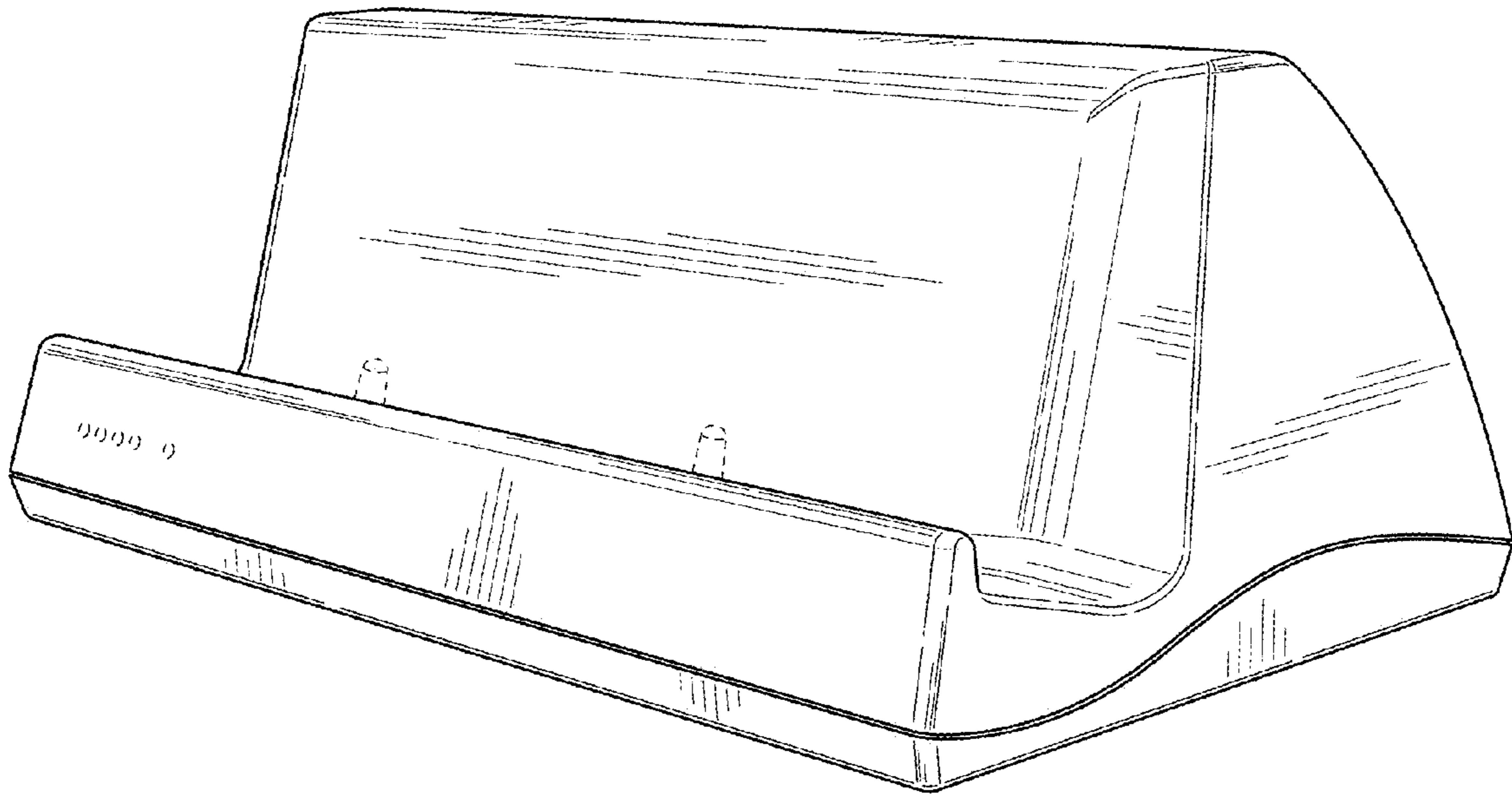


FIG. 1

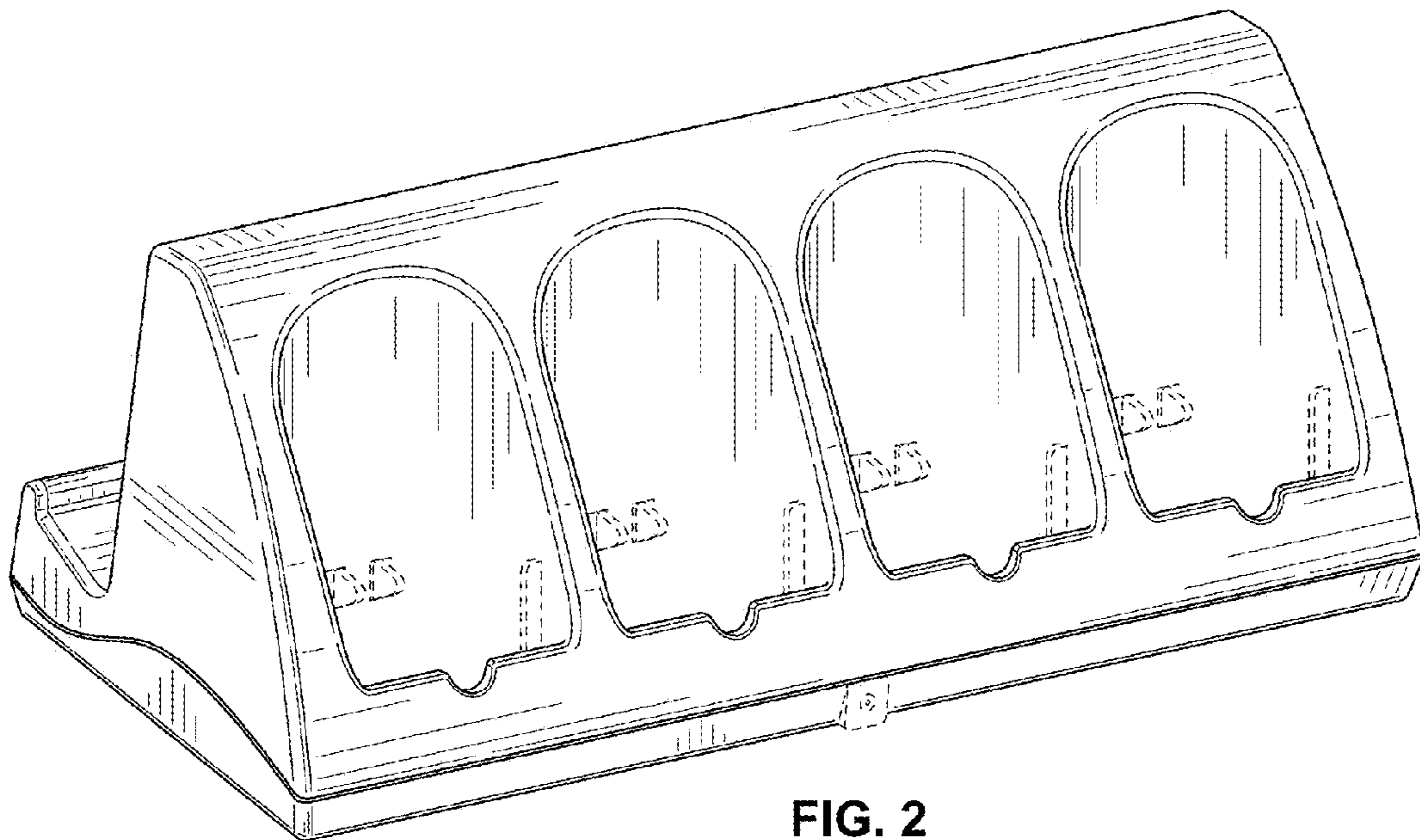


FIG. 2

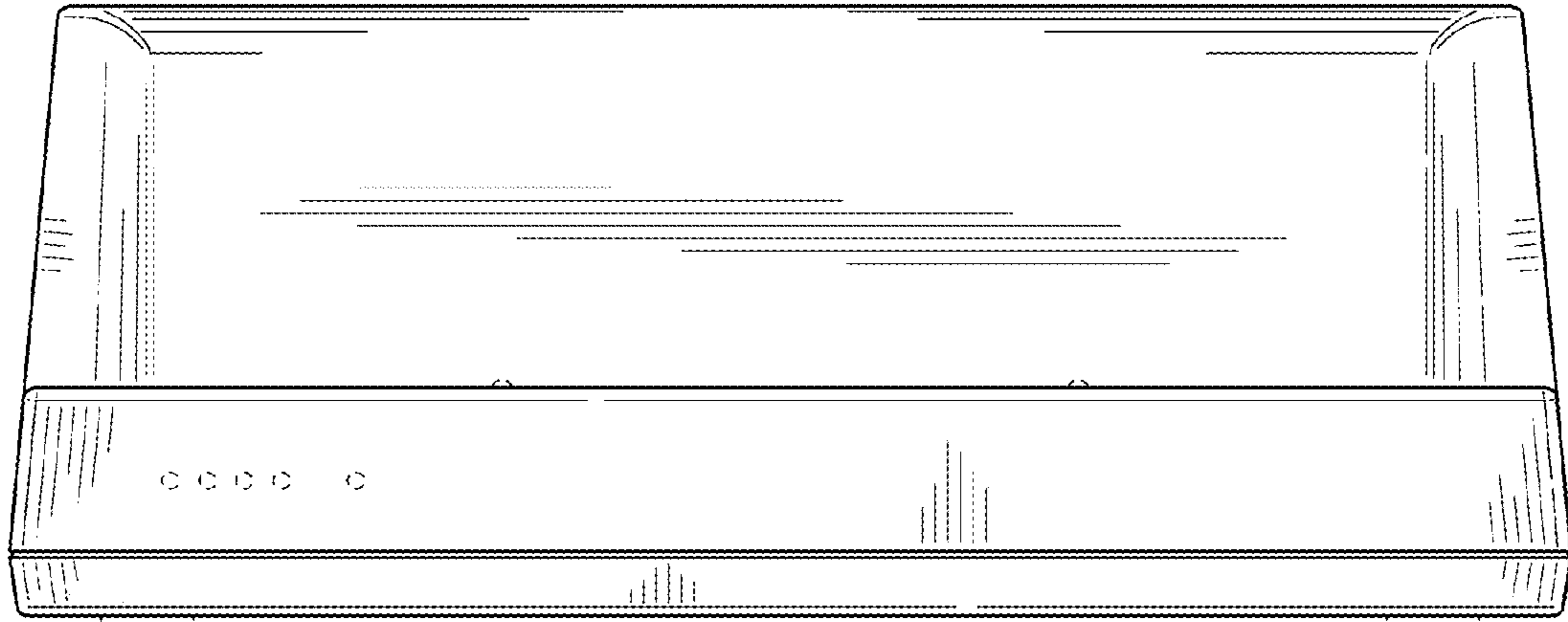


FIG. 3

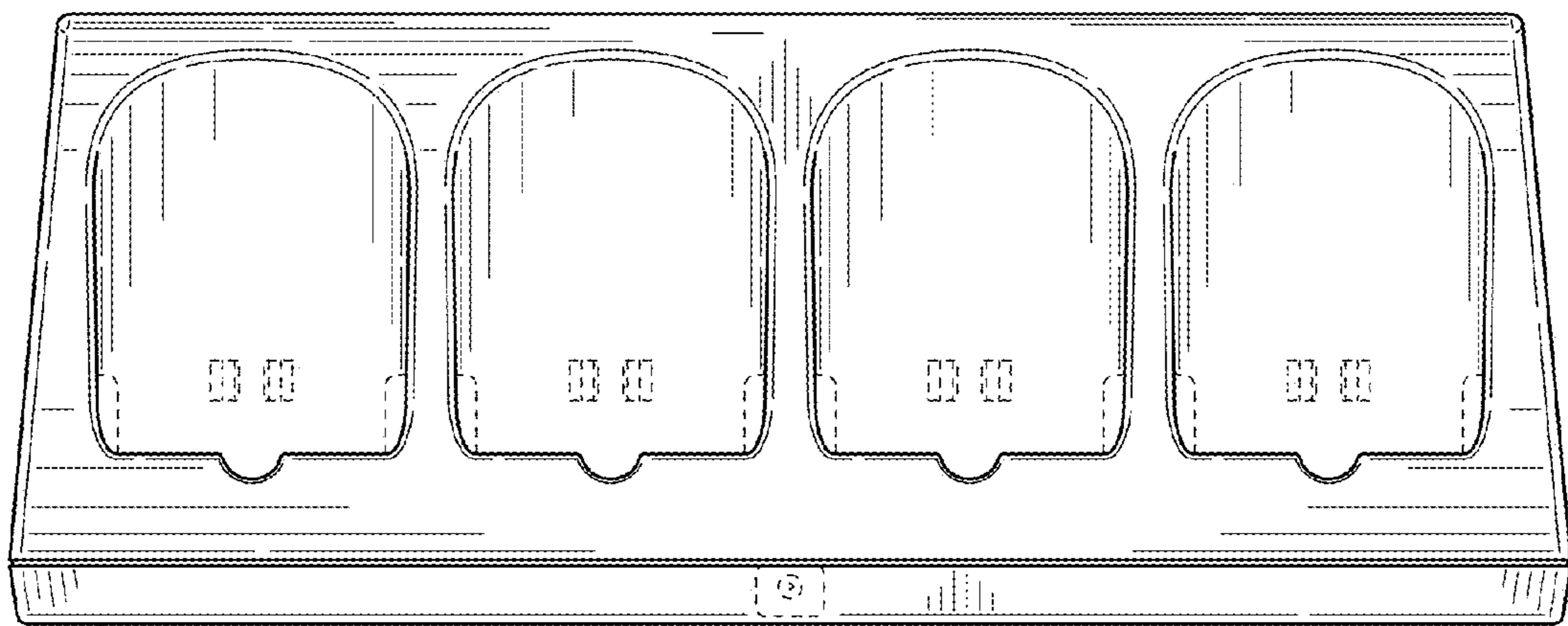


FIG. 4

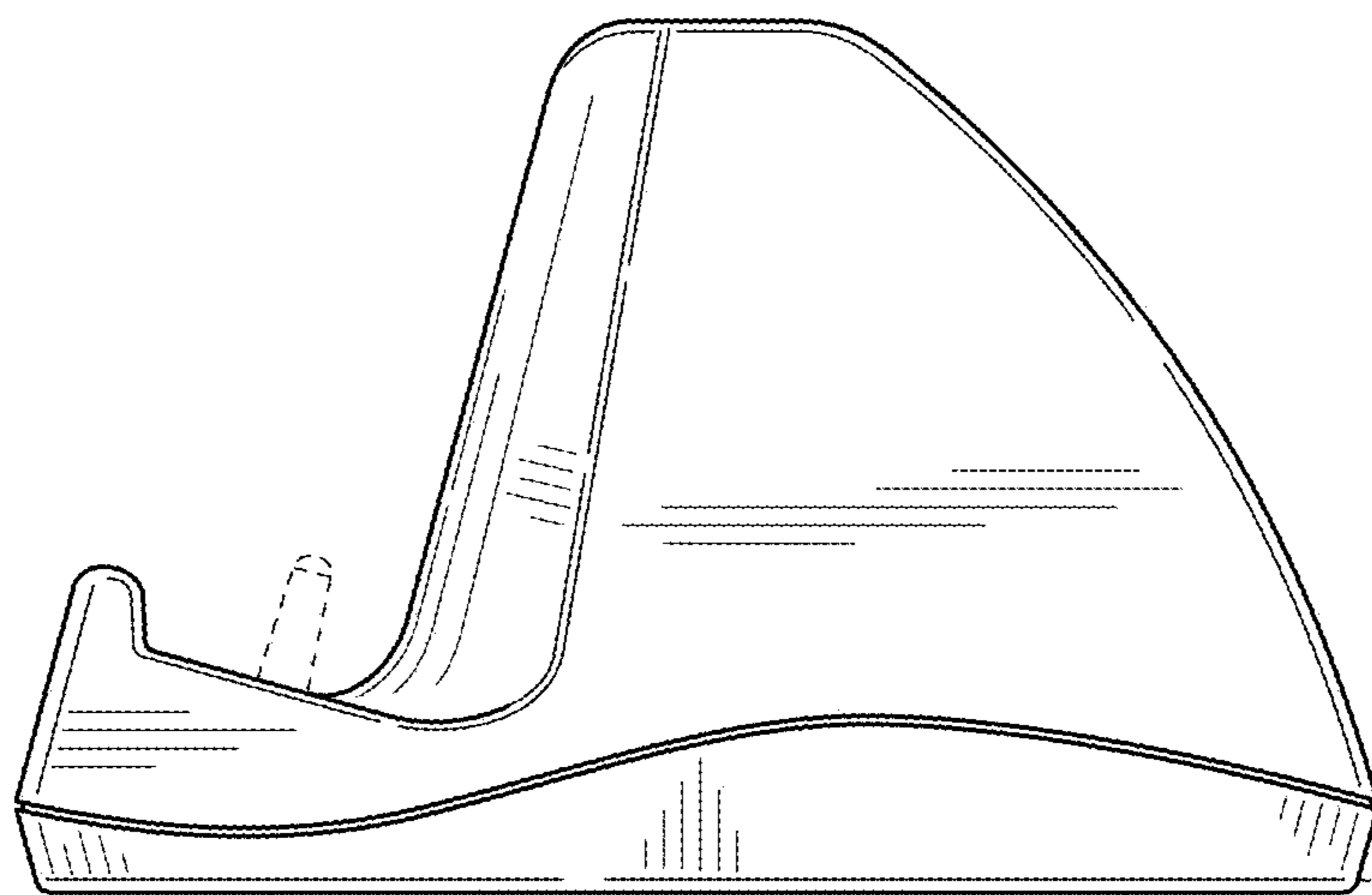


FIG. 5

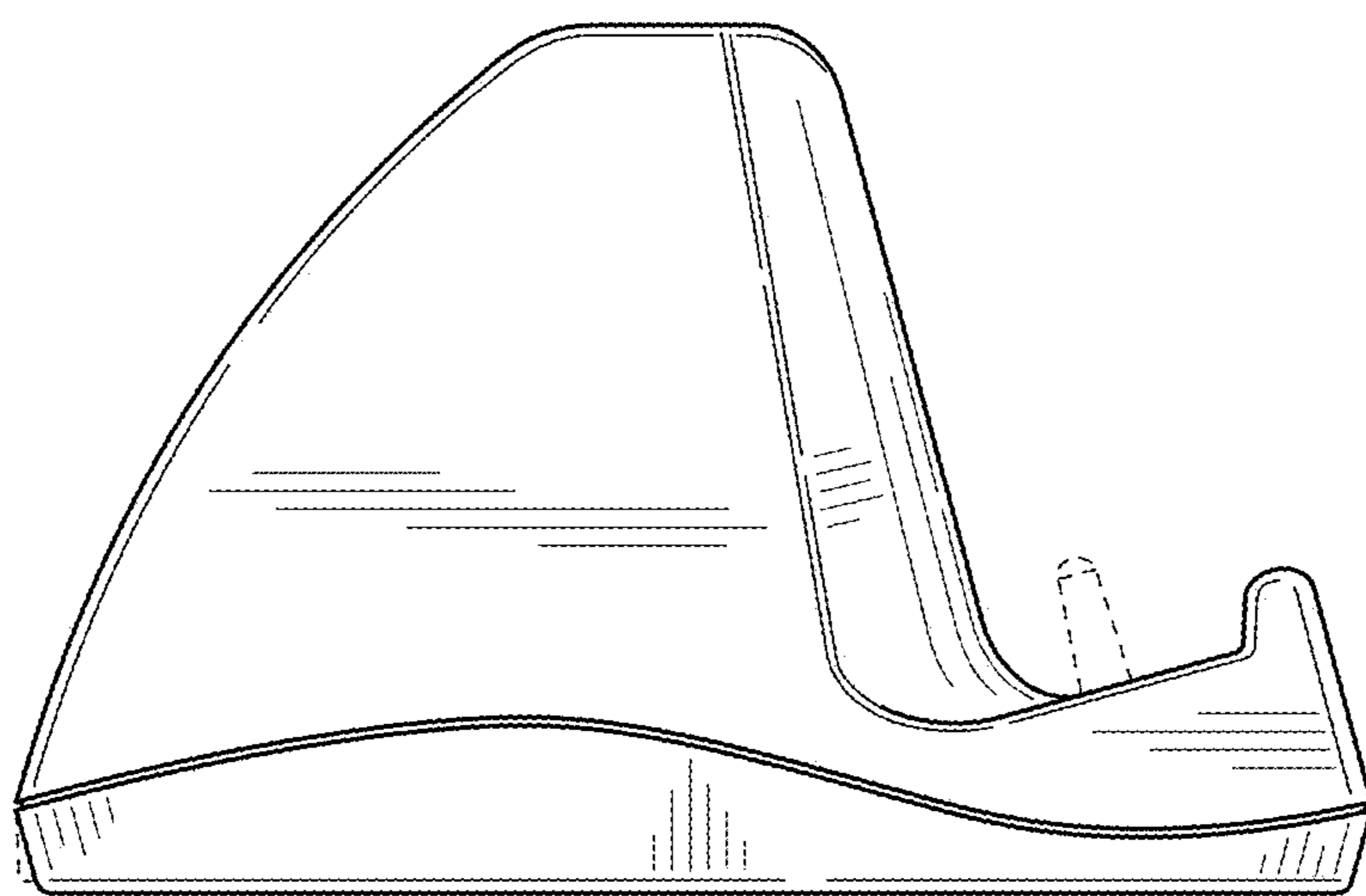


FIG. 6

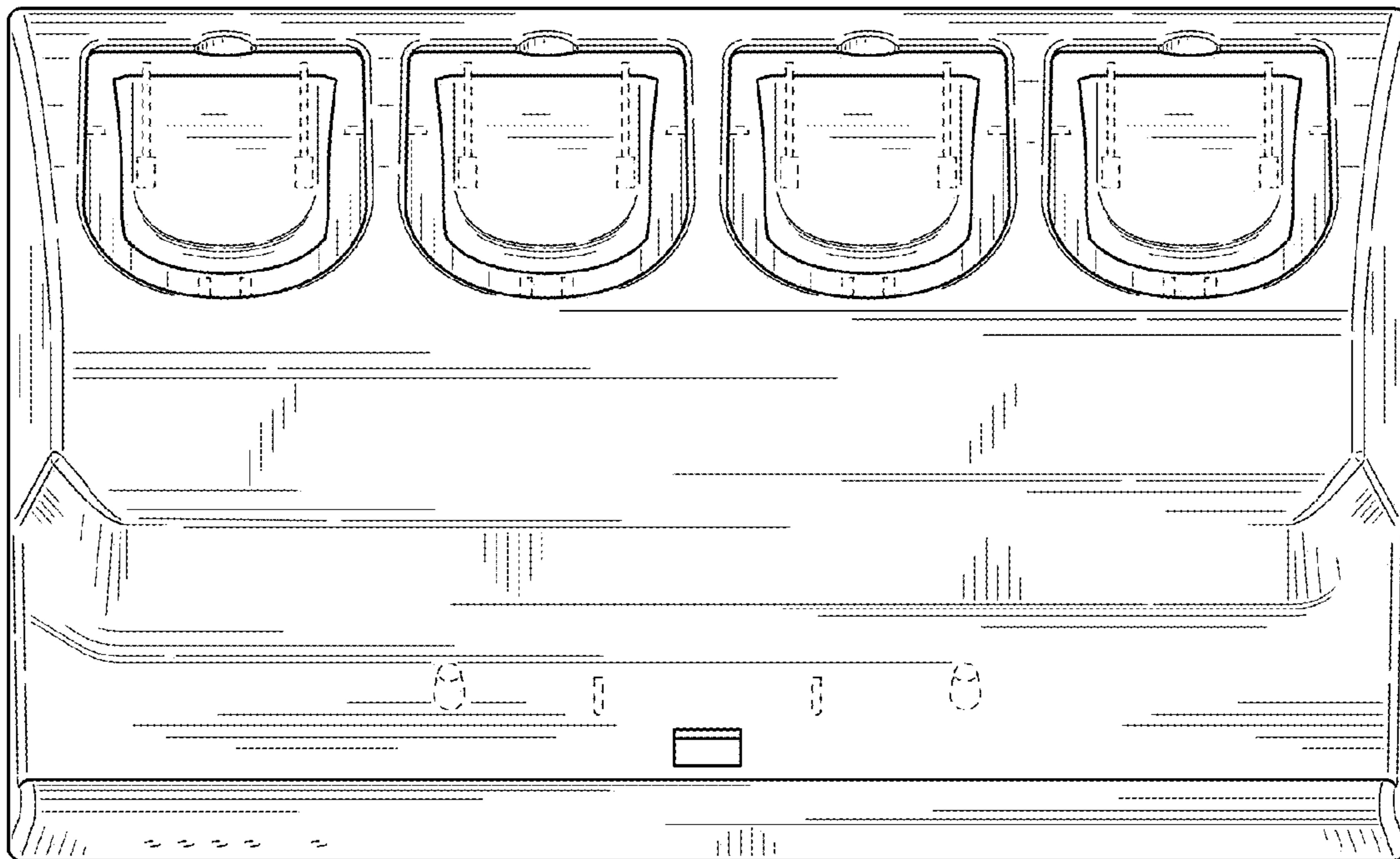


FIG. 7



FIG. 8

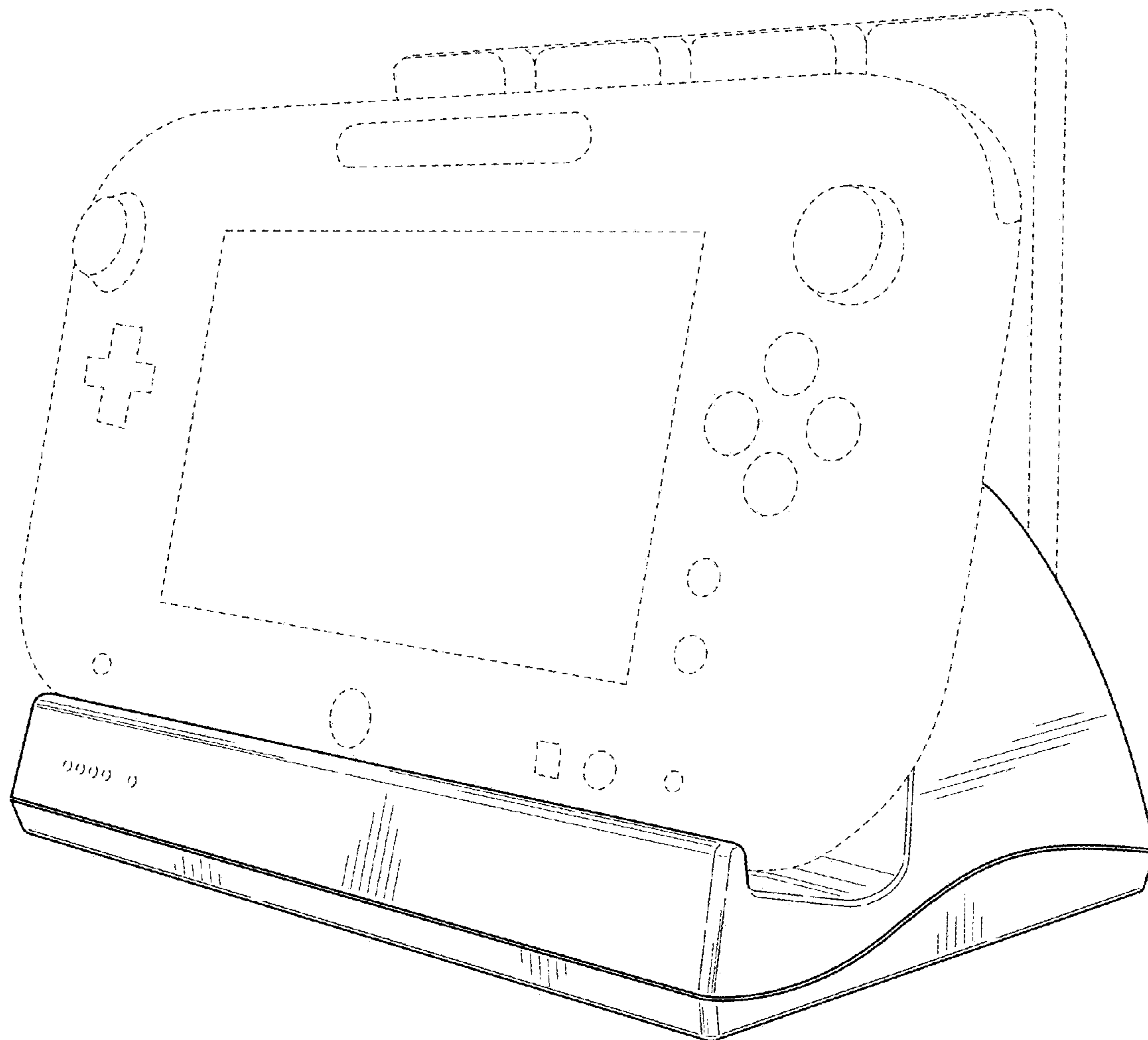


FIG. 9



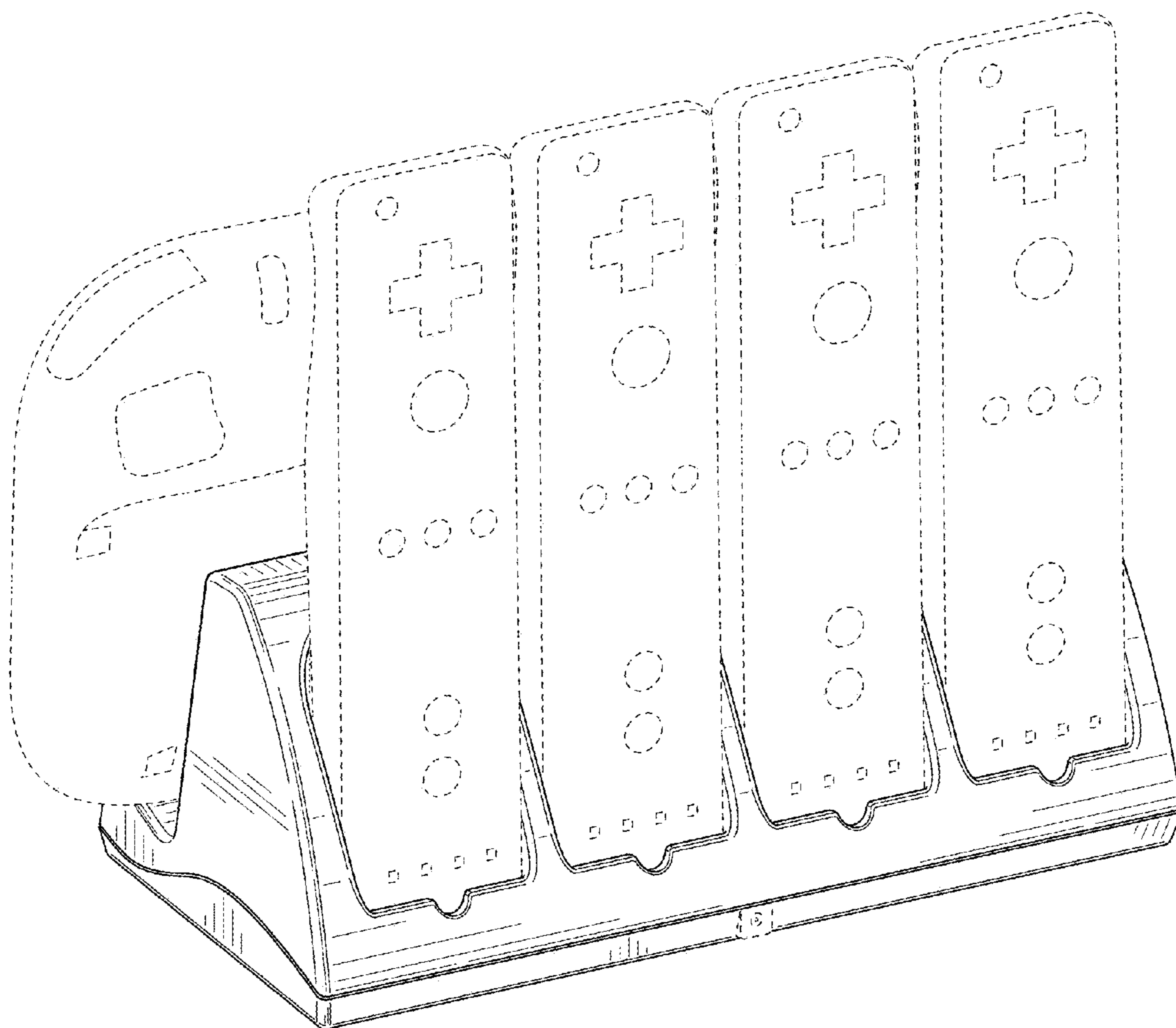


FIG. 10