



US00D712826S

(12) **United States Design Patent**
Marino et al.

(10) **Patent No.:** **US D712,826 S**

(45) **Date of Patent:** **** Sep. 9, 2014**

(54) **BATTERY PACK**

(71) Applicant: **Techtronic Outdoor Products Technology Limited**, Hamilton (BM)

(72) Inventors: **Ryan Joseph Marino**, Clemson, SC (US); **David Wiseman**, Anderson, SC (US); **Stuart Miller**, Anderson, SC (US); **Matthew Stephen Jennings**, Sumter, SC (US); **Matthew Corbin**, Anderson, SC (US); **Sean Campbell**, Anderson, SC (US); **C. Keith Long**, Seneca, SC (US); **Robert Andrew Patrick**, Simpsonville, SC (US)

(73) Assignee: **Techtronic Outdoor Products Technology Limited**, Hamilton (BM)

(**) Term: **14 Years**

(21) Appl. No.: **29/476,479**

(22) Filed: **Dec. 13, 2013**

(51) **LOC (10) Cl.** **13-02**

(52) **U.S. Cl.**
USPC **D13/103**

(58) **Field of Classification Search**
USPC D13/102-104, 110, 118-121, 184, 199;
429/96-100, 163, 176
See application file for complete search history.

(56) **References Cited**

U.S. PATENT DOCUMENTS

D511,744 S * 11/2005 Hsu et al. D13/108
D512,373 S * 12/2005 Tsai et al. D13/108

D545,759 S * 7/2007 Ino et al. D13/103
D558,670 S * 1/2008 Ritterling et al. D13/119
D598,373 S * 8/2009 Aglassinger D13/103
D622,661 S * 8/2010 Yamada et al. D13/103
D682,192 S * 5/2013 Corbin D13/103
D682,193 S * 5/2013 Corbin D13/103
D682,194 S * 5/2013 Jiang et al. D13/103
D685,730 S * 7/2013 Hamm et al. D13/103

* cited by examiner

Primary Examiner — Rosemary K Tarcza

(74) *Attorney, Agent, or Firm* — Michael Best & Friedrich LLP

(57) **CLAIM**

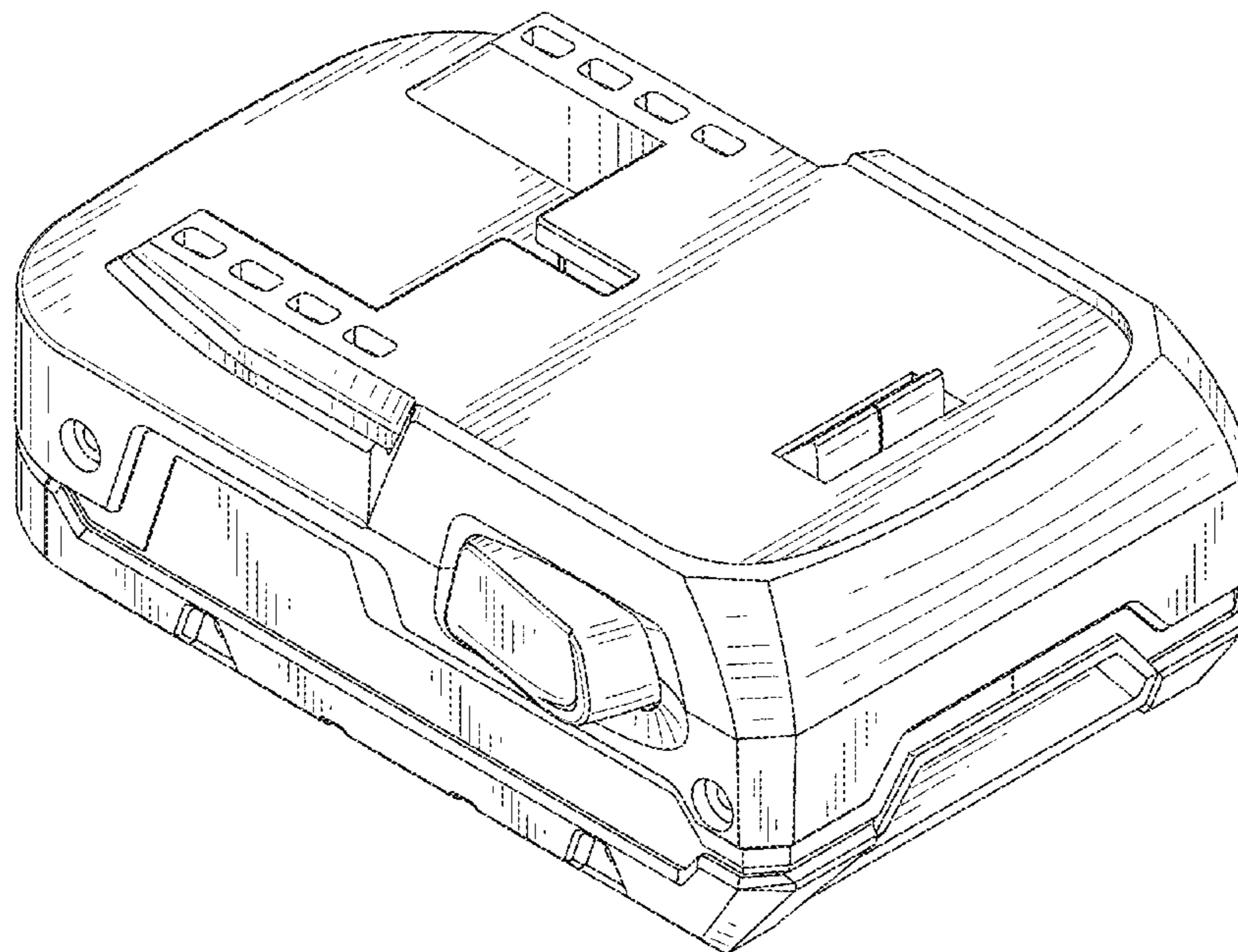
I claim the ornamental design for a battery pack, as shown and described.

DESCRIPTION

FIG. 1 is a front perspective view of a battery pack according to one embodiment of the invention.
FIG. 2 is a rear perspective view of the battery pack of FIG. 1.
FIG. 3 is a first side view of the battery pack of FIG. 1.
FIG. 4 is a second side view of the battery pack of FIG. 1.
FIG. 5 is a front view of the battery pack of FIG. 1.
FIG. 6 is a rear view of the battery pack of FIG. 1.
FIG. 7 is a top view of the battery pack of FIG. 1.
FIG. 8 is a bottom view of the battery pack of FIG. 1; and,
FIG. 9 is another rear perspective view of the battery pack of FIG. 1.

Any portions of the battery pack shown in broken lines are included for the purpose of illustrating environment and form no part of the claimed design.

1 Claim, 7 Drawing Sheets



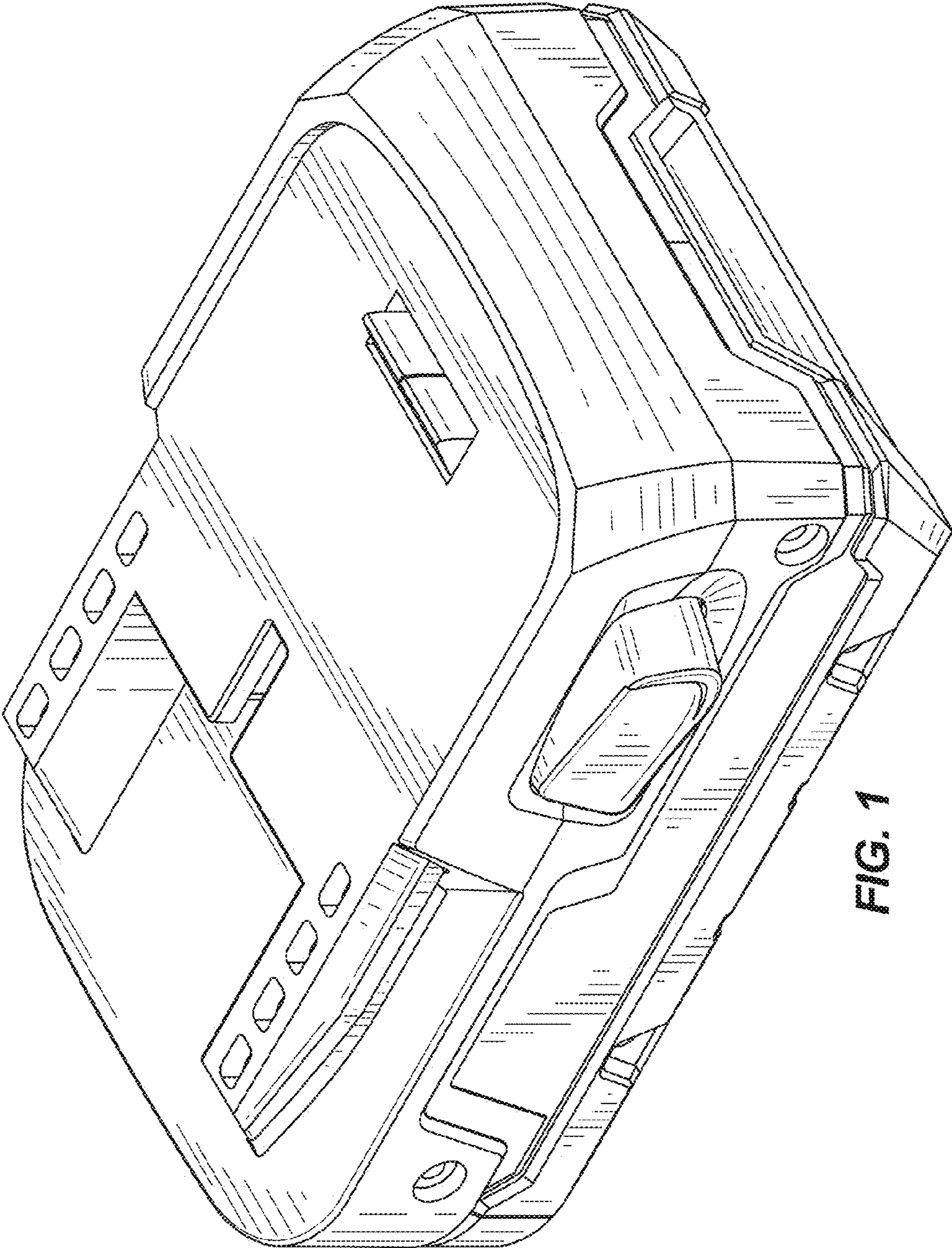


FIG. 1

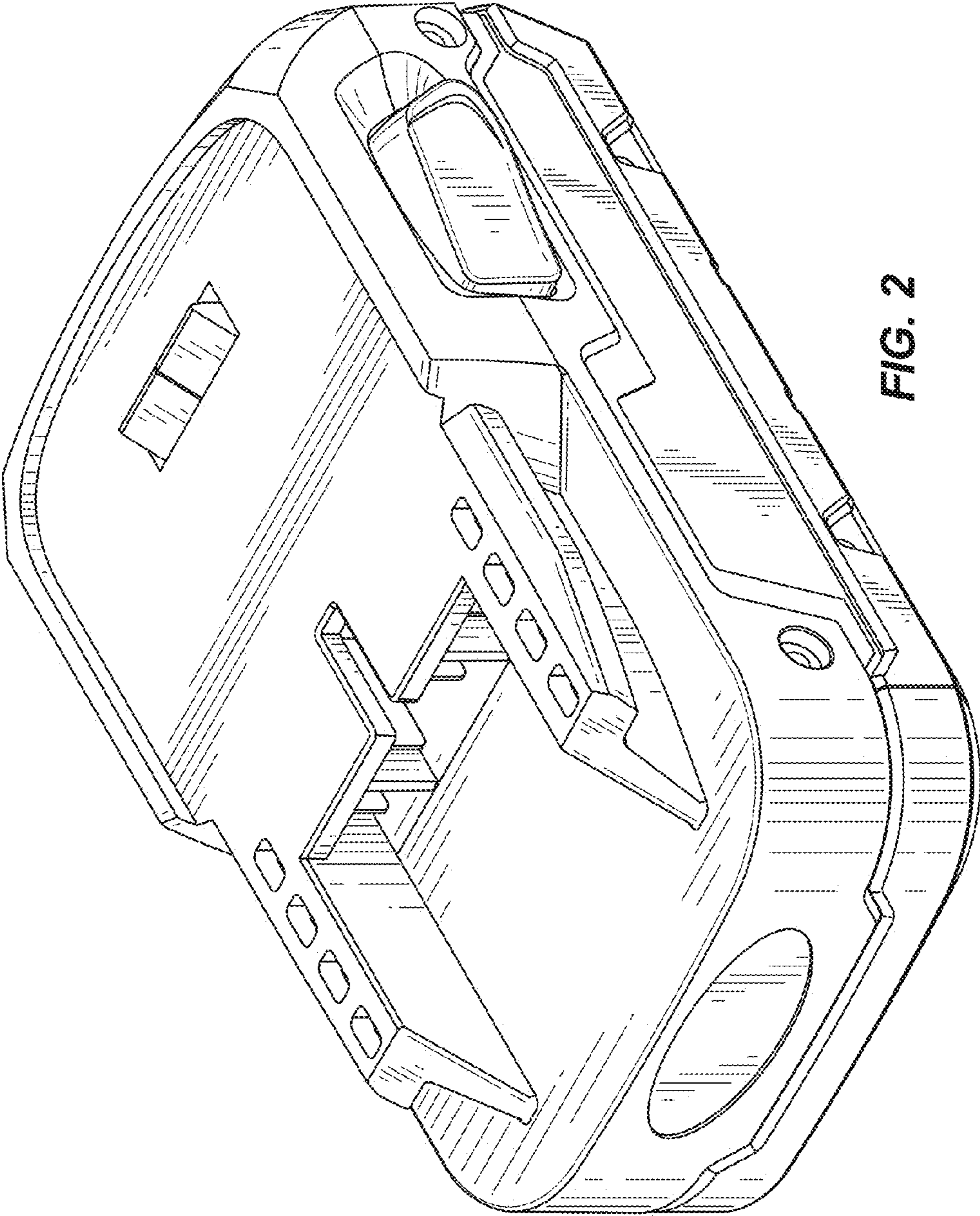


FIG. 2

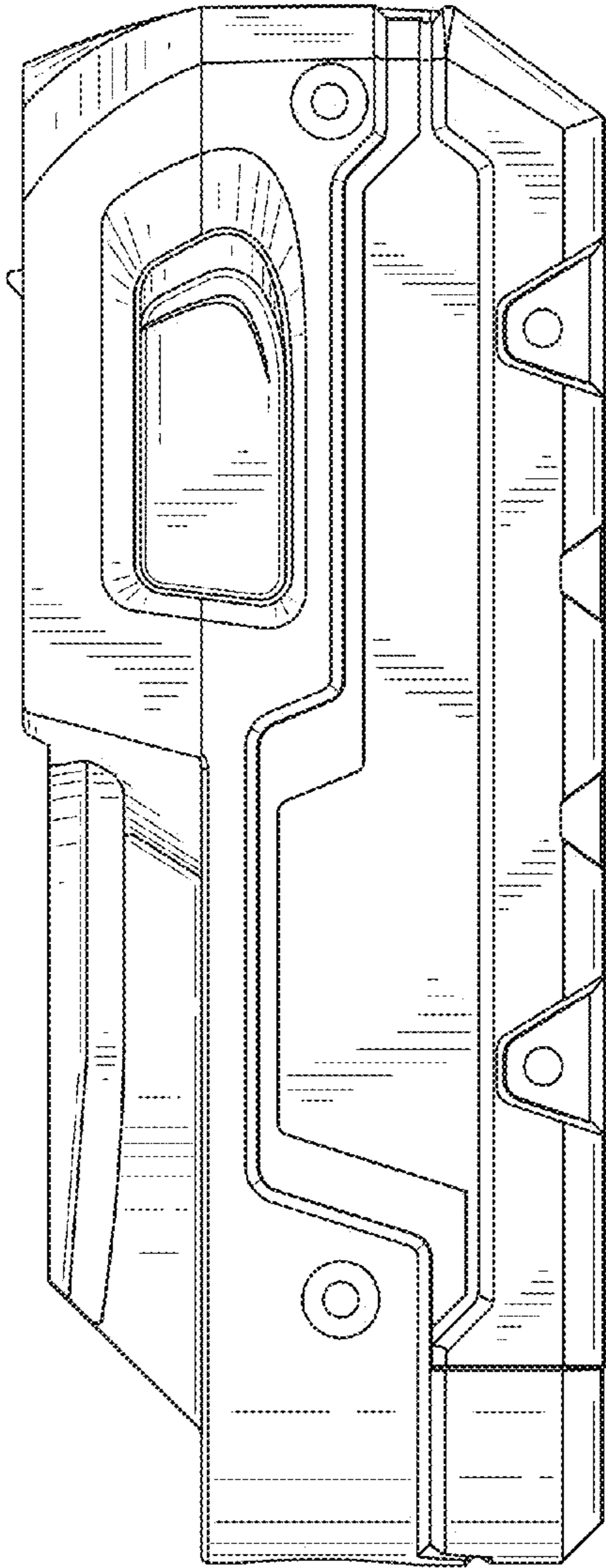


FIG. 3

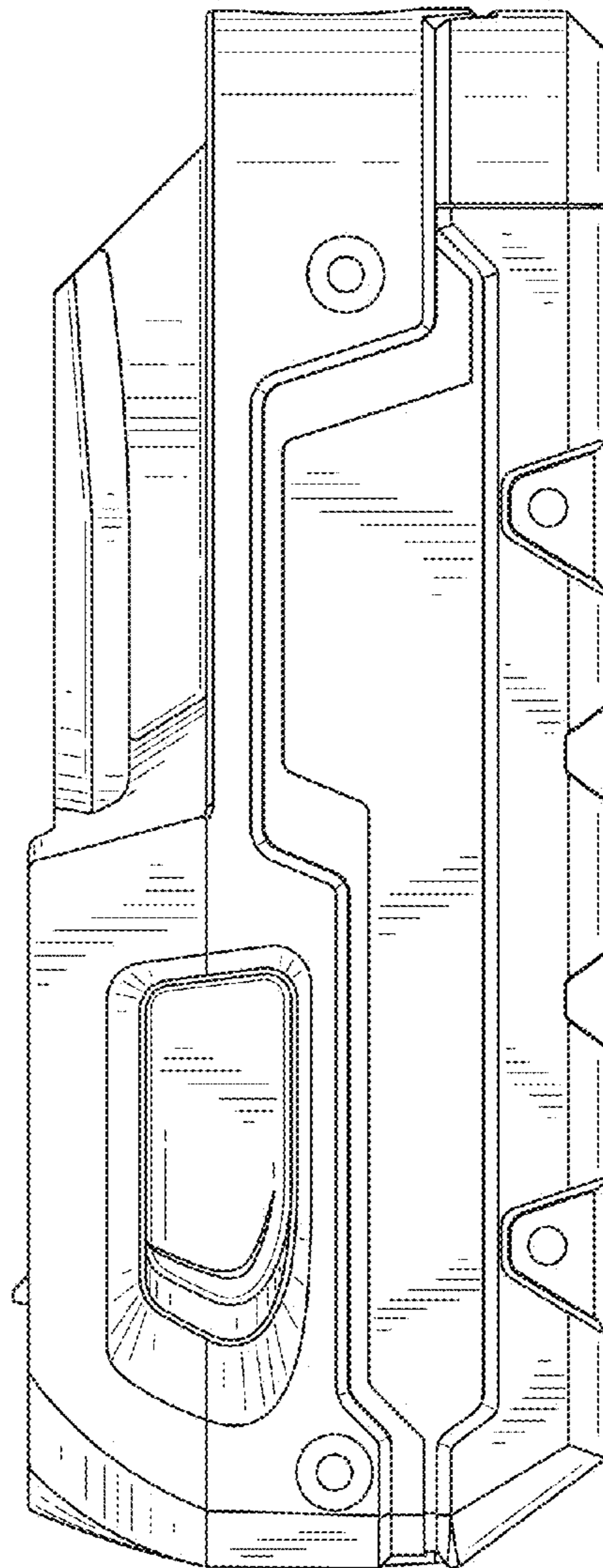


FIG. 4

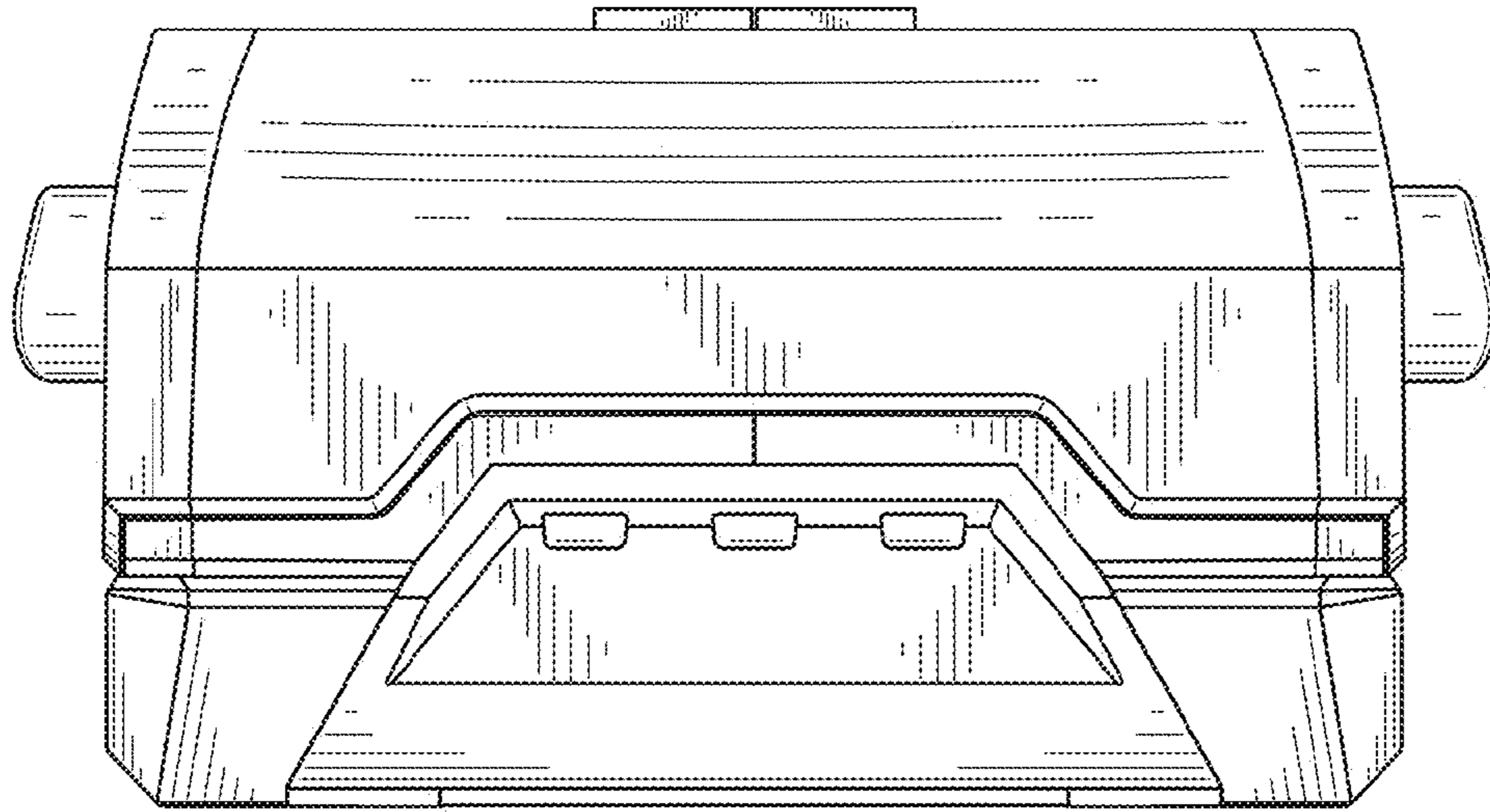


FIG. 5

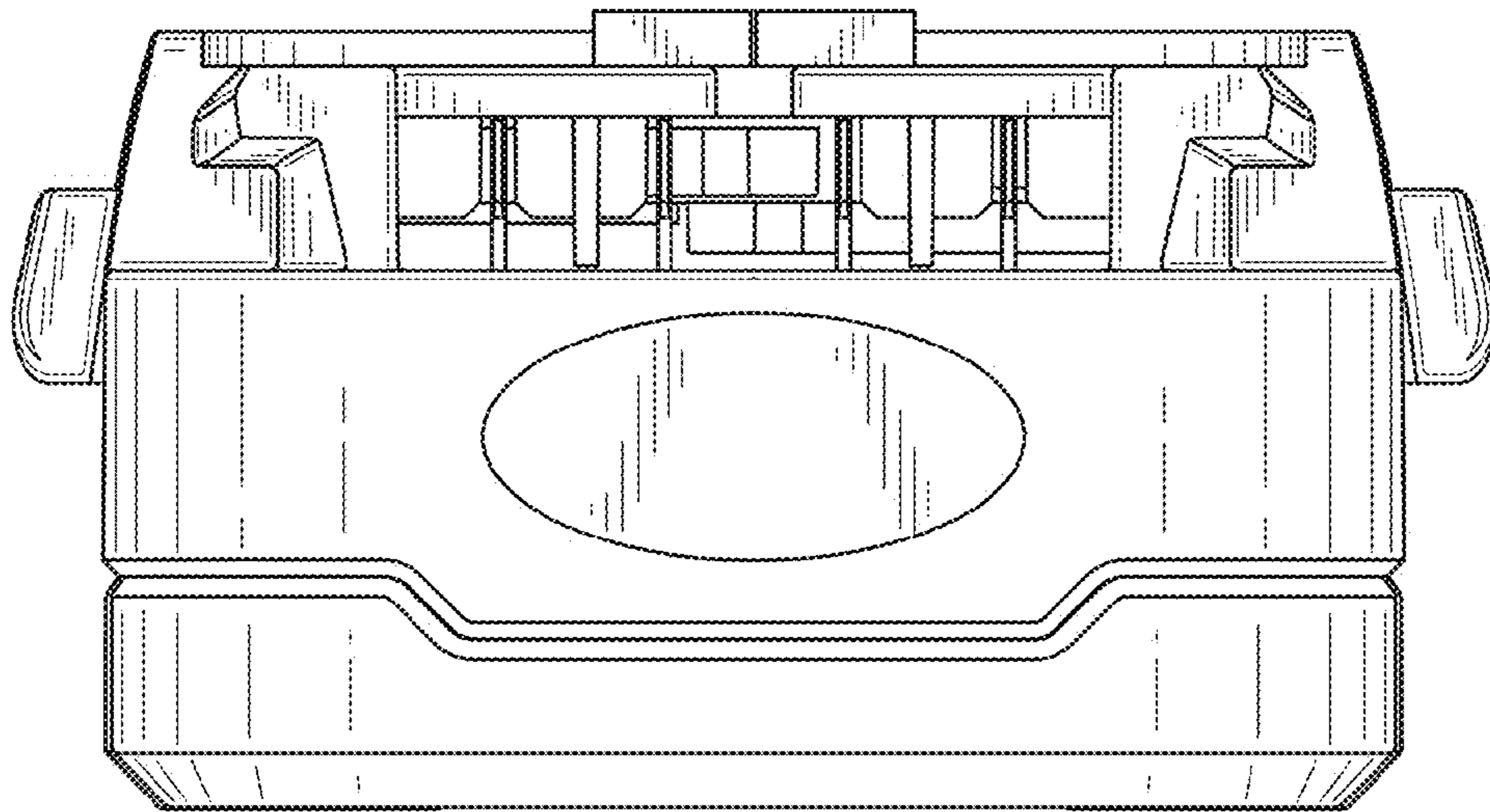


FIG. 6

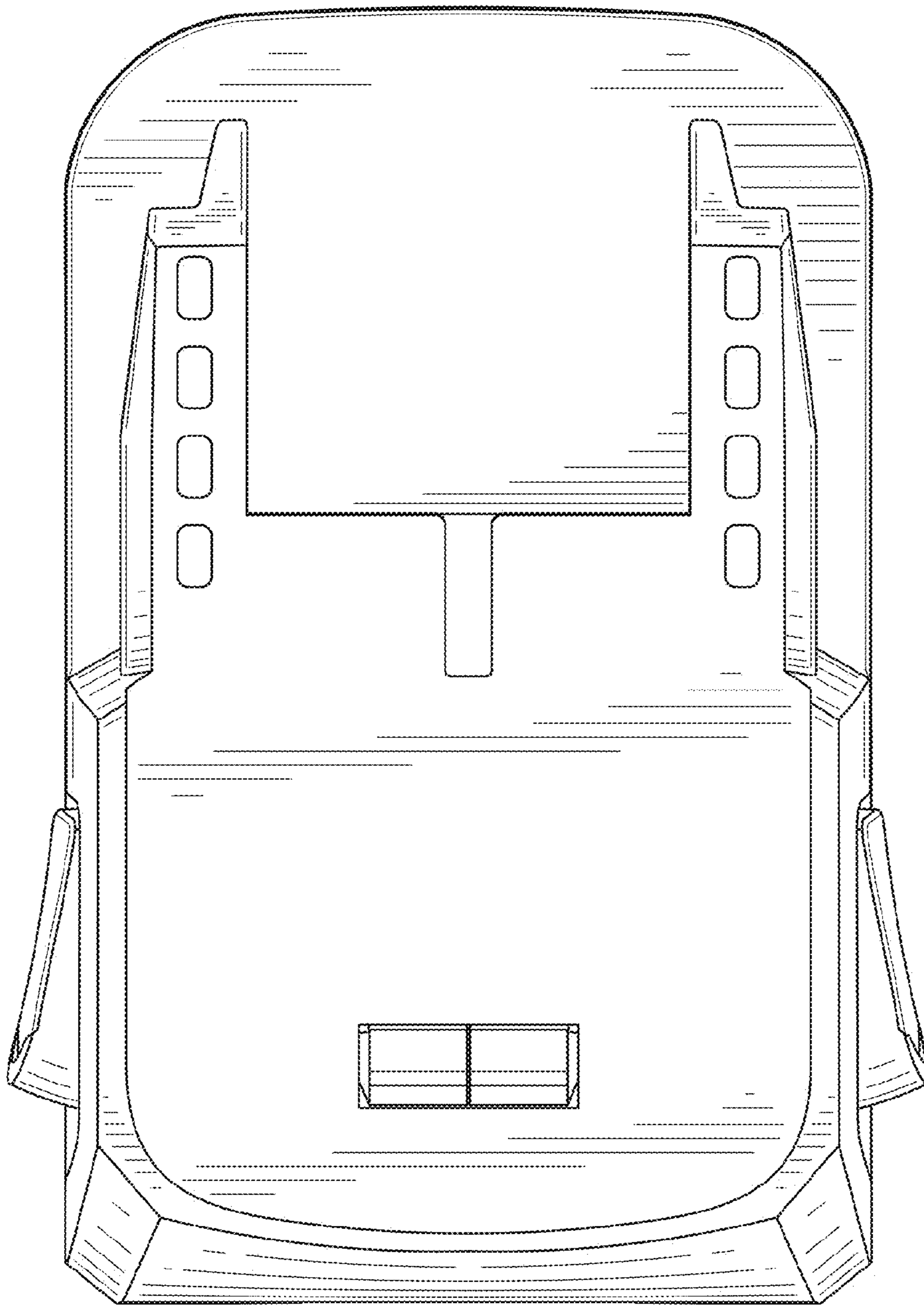


FIG. 7

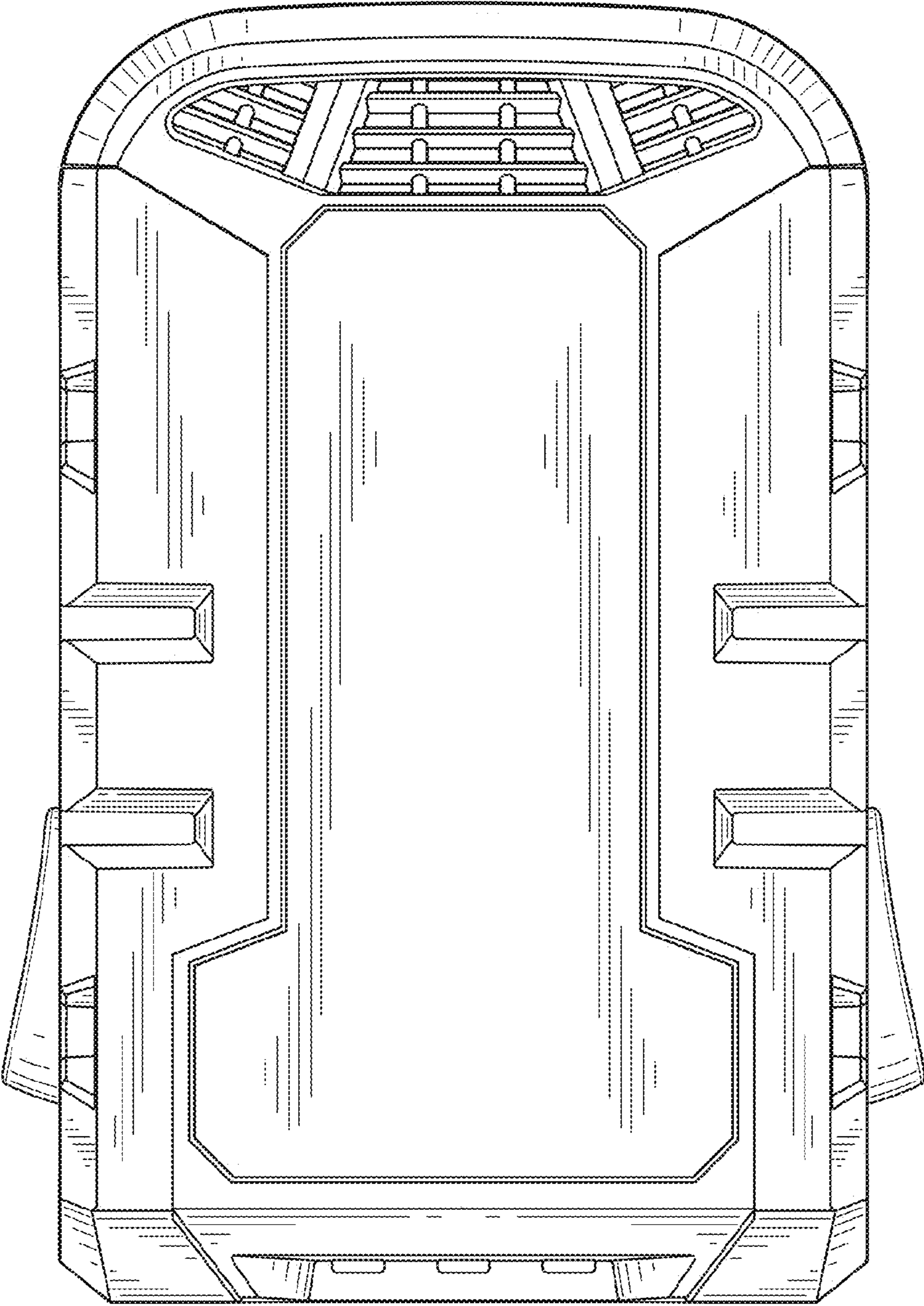


FIG. 8

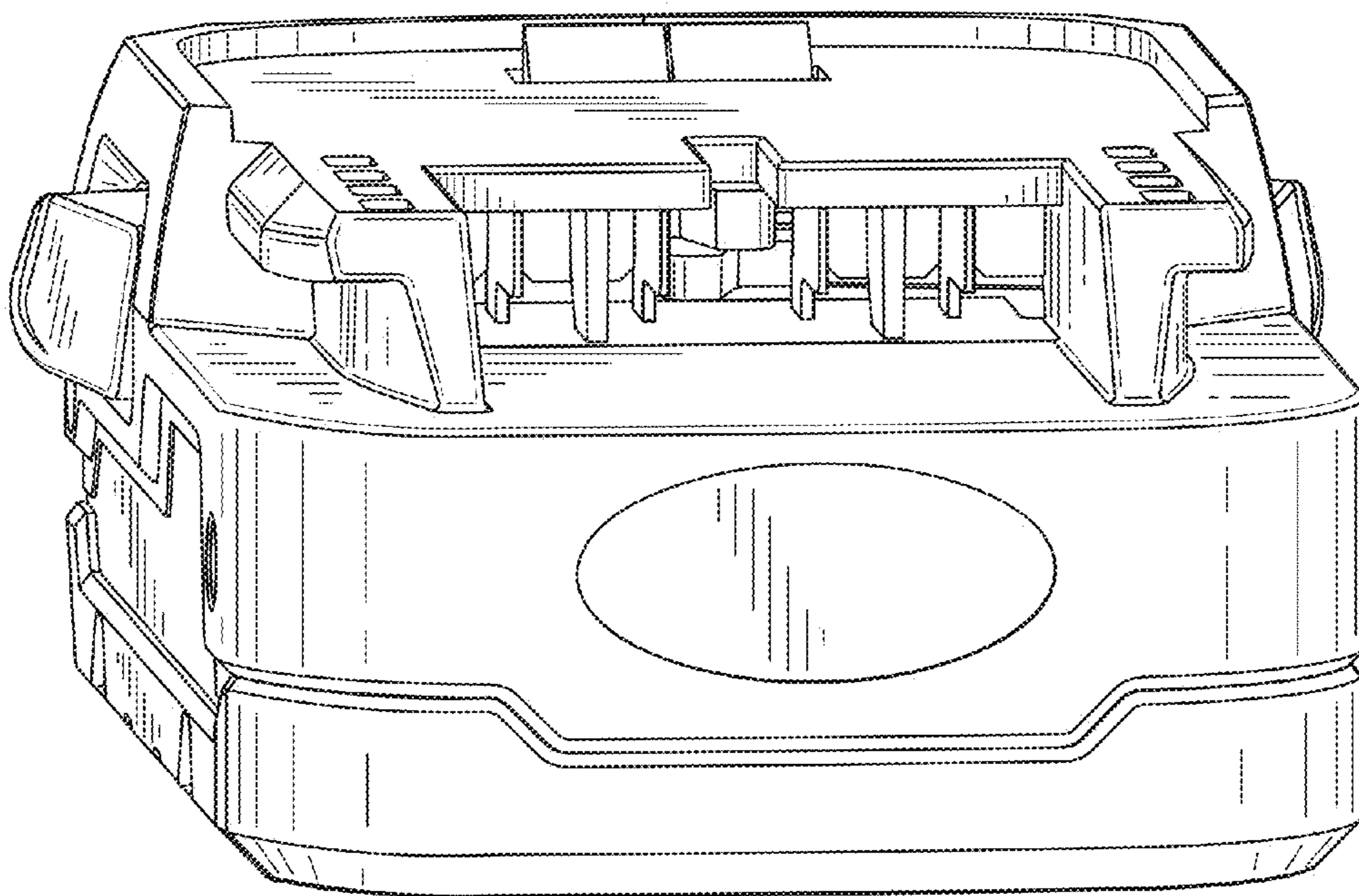


FIG. 9