



US00D712824S

(12) **United States Design Patent**
Pauschitz

(10) **Patent No.:** **US D712,824 S**

(45) **Date of Patent:** **** Sep. 9, 2014**

(54) **SOLAR POWER MODULE**

(71) Applicant: **Smart Flower Energy Technology GmbH, Gussing (AT)**

(72) Inventor: **Christoph Pauschitz, Vienna (AT)**

(73) Assignee: **Smart Flower Energy Technology GmbH, Gussing (AT)**

(**) Term: **14 Years**

(21) Appl. No.: **29/469,541**

(22) Filed: **Oct. 11, 2013**

(30) **Foreign Application Priority Data**

Apr. 16, 2013 (EM) 002221242

(51) **LOC (10) Cl.** **13-02**

(52) **U.S. Cl.**
USPC **D13/102**

(58) **Field of Classification Search**

USPC D13/102, 101, 103, 107, 118, 119, 184,
D13/199; 126/561, 600, 605, 606, 627, 667;
136/206, 244-251, 256, 291, 292;
320/101, 102; 438/80

See application file for complete search history.

(56) **References Cited**

U.S. PATENT DOCUMENTS

2,859,745	A *	11/1958	Von Brudersdorff	126/681
3,643,648	A *	2/1972	Tarcici	126/627
3,797,476	A *	3/1974	Tarcici	126/600
4,252,107	A *	2/1981	Horton	126/605
4,583,520	A *	4/1986	Dietrich et al.	126/606
4,999,059	A *	3/1991	Bagno	136/248
D420,973	S *	2/2000	Kalarney	D13/102
6,442,937	B1 *	9/2002	Stone et al.	60/641.11
D505,113	S *	5/2005	Lam	D13/107
D631,004	S *	1/2011	Johnson	D13/102
D680,949	S	4/2013	Swatek		
2011/0315192	A1	12/2011	Swatek et al.		

* cited by examiner

Primary Examiner — Derrick Holland

(74) *Attorney, Agent, or Firm* — Hoffmann & Baron, LLP

(57) **CLAIM**

The ornamental design for a solar power module, as shown and described.

DESCRIPTION

FIG. 1 is a perspective view of a solar power module shown in a closed position and constructed in accordance with the invention;

FIG. 2 is a left side elevational view of the solar power module shown in FIG. 1;

FIG. 3 is a right side elevational view of the solar power module shown in FIG. 1;

FIG. 4 is a bottom plan view of the solar power module shown in FIG. 1;

FIG. 5 is a top plan view of the solar power module shown in FIG. 1;

FIG. 6 is a front view of the solar power module shown in FIG. 1;

FIG. 7 is a rear view of the solar power module shown in FIG. 1;

FIG. 8 is a perspective view of the solar power module shown in an open position and constructed in accordance with the invention;

FIG. 9 is a left side elevational view of the solar power module shown in FIG. 8;

FIG. 10 is a right side elevational view of the solar power module shown in FIG. 8;

FIG. 11 is a bottom plan view of the solar power module shown in FIG. 8;

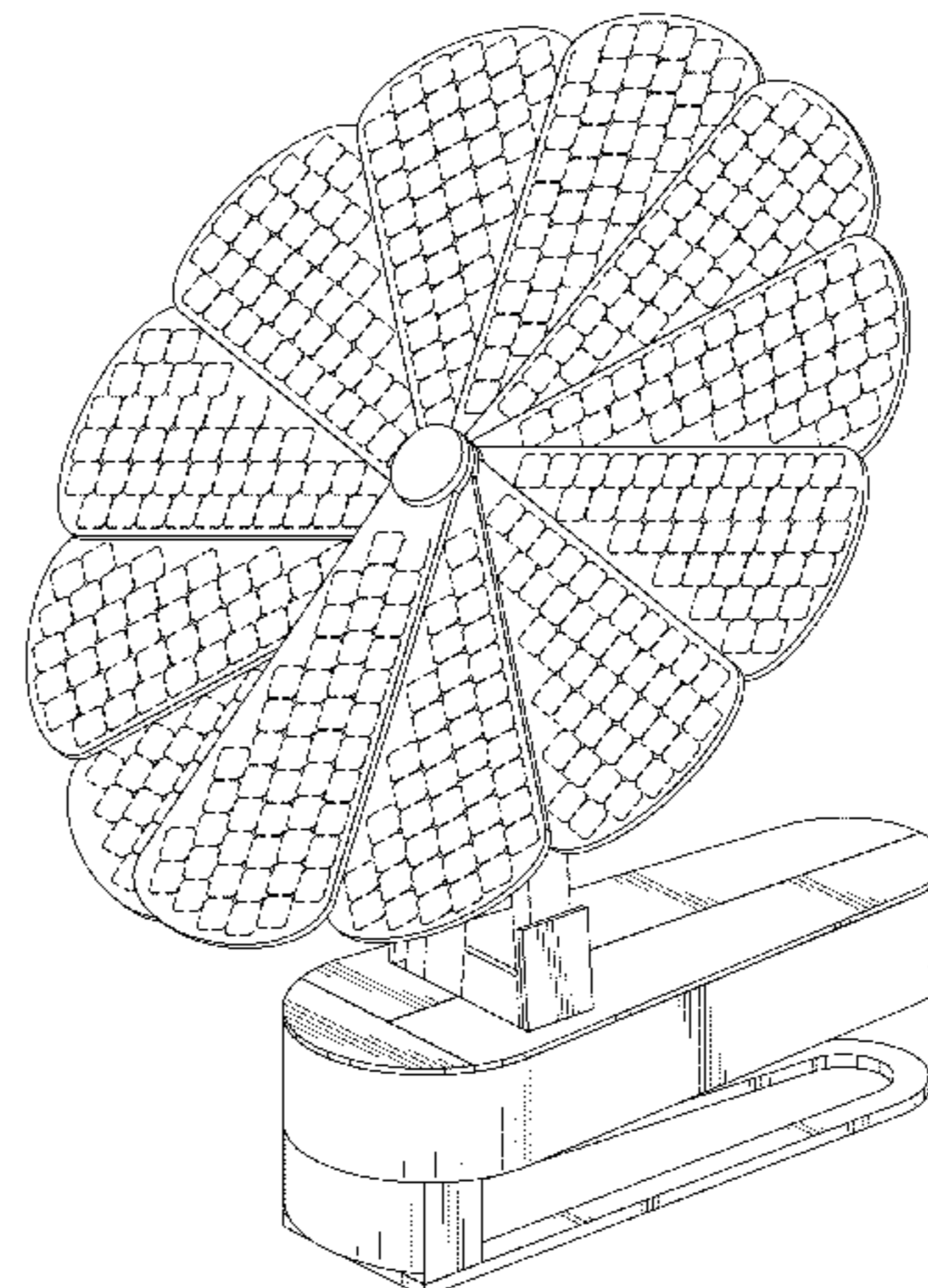
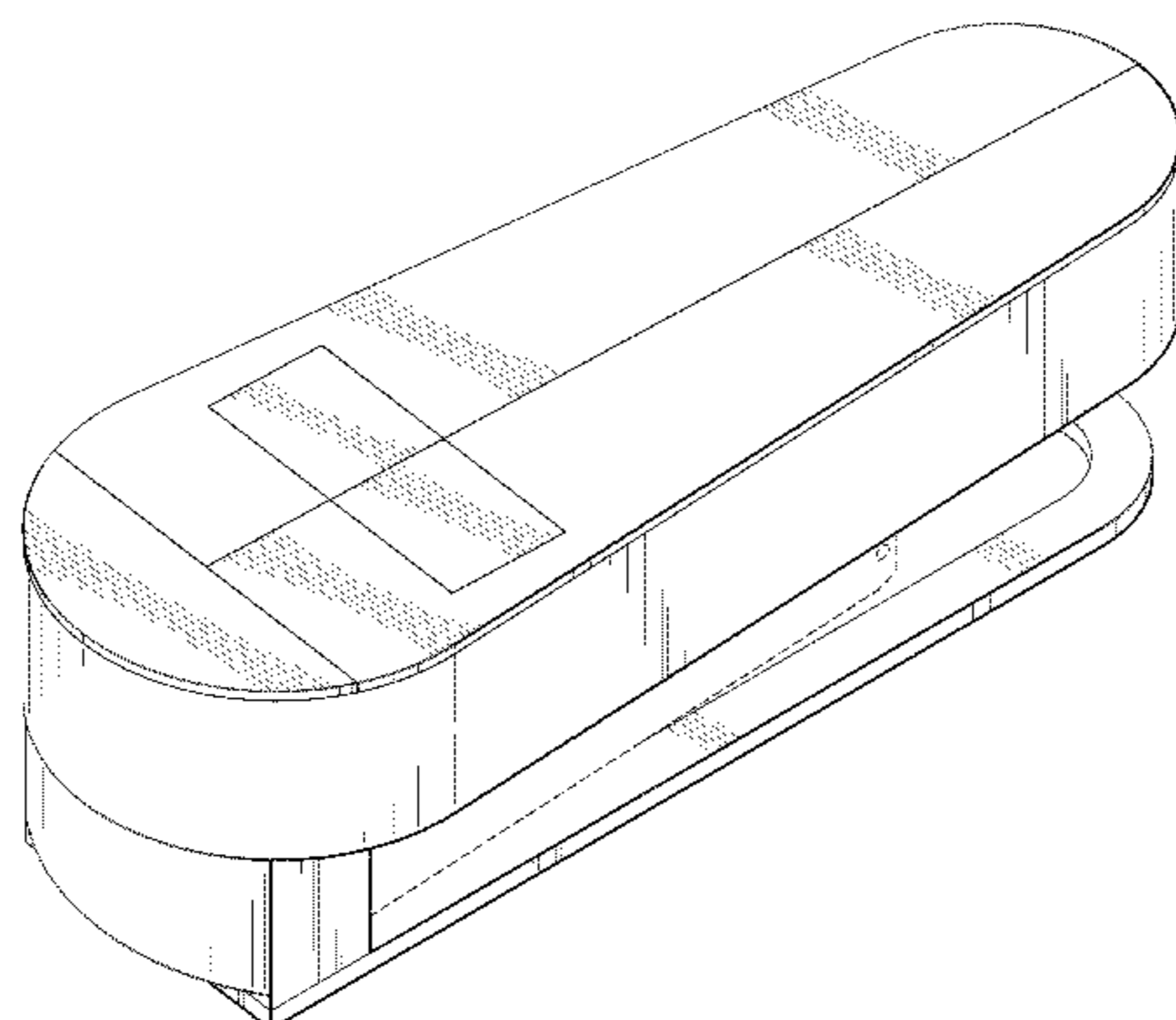
FIG. 12 is a top plan view of the solar power module shown in FIG. 8;

FIG. 13 is a front view of the solar power module shown in FIG. 8; and,

FIG. 14 is a rear view of the solar power module shown in FIG. 8.

The broken lines shown in the drawings represent unclaimed environment and are for illustrative purposes only, forming no part of the claimed design.

1 Claim, 13 Drawing Sheets



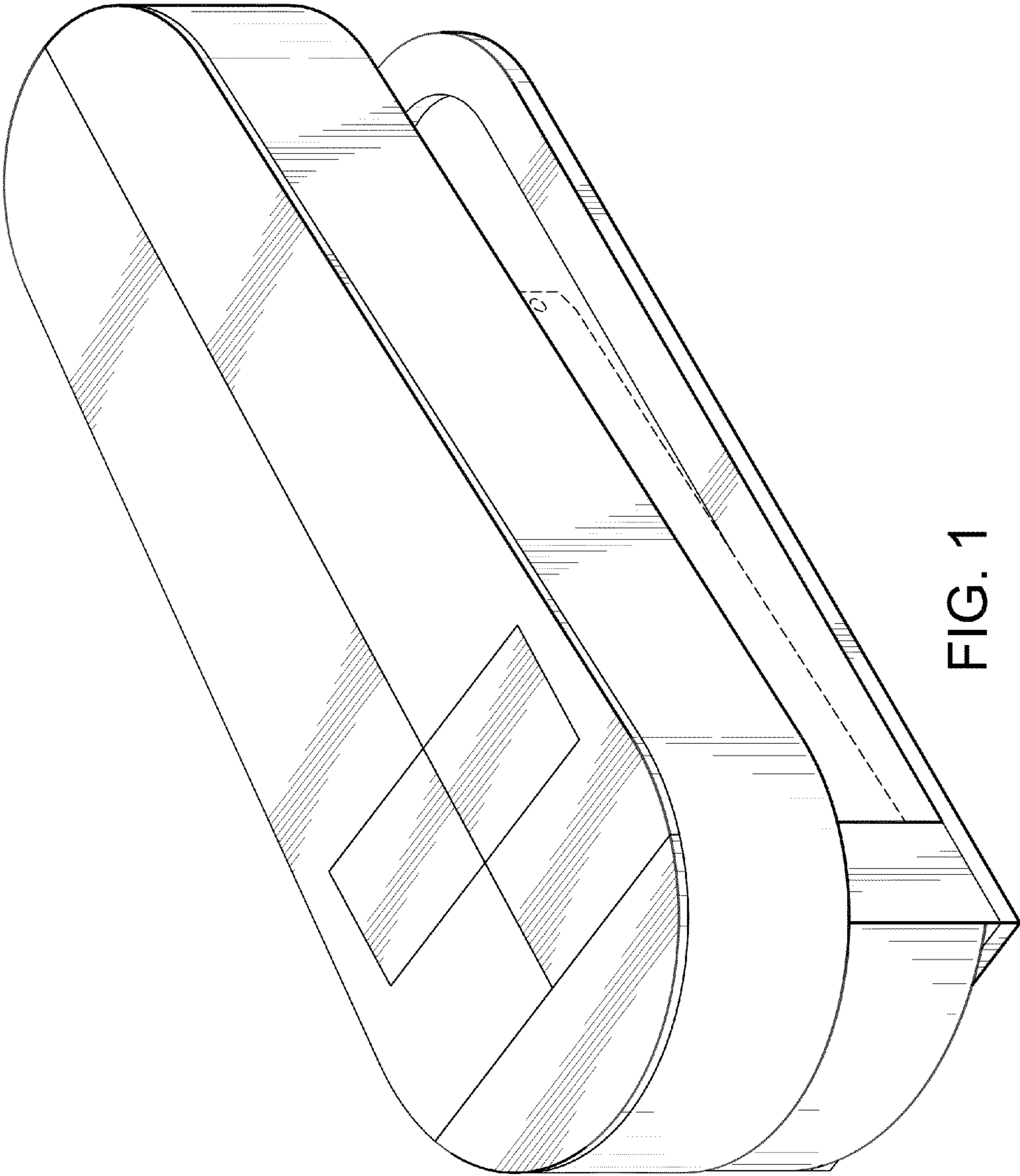


FIG. 1

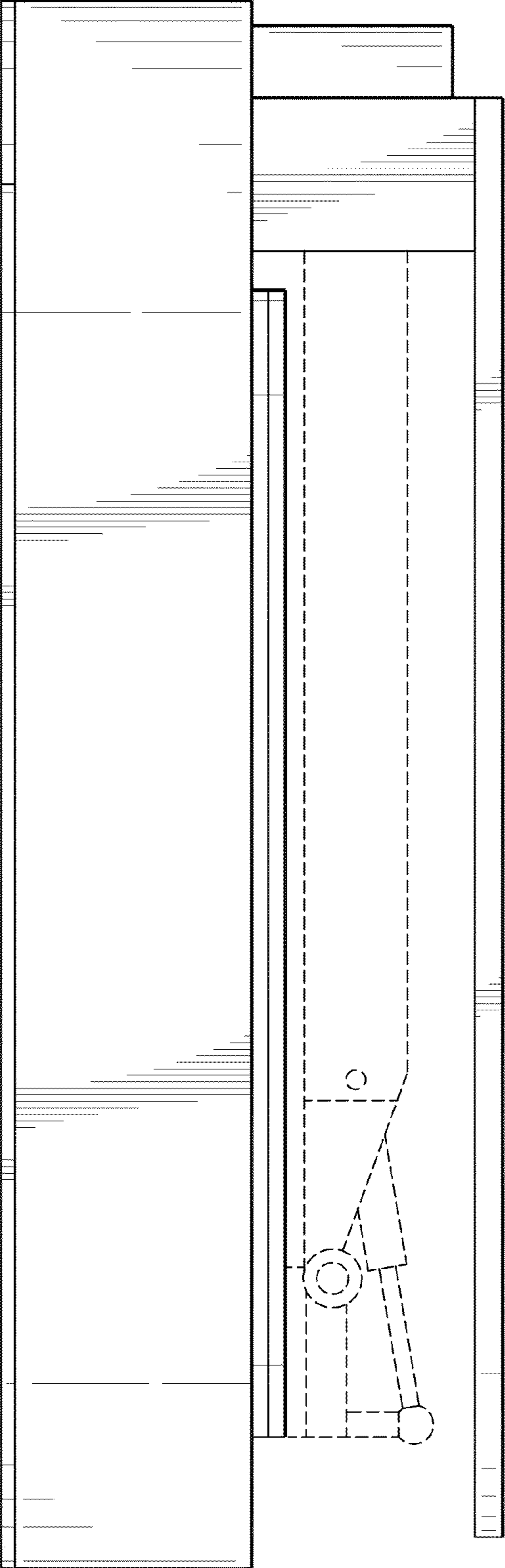


FIG. 2

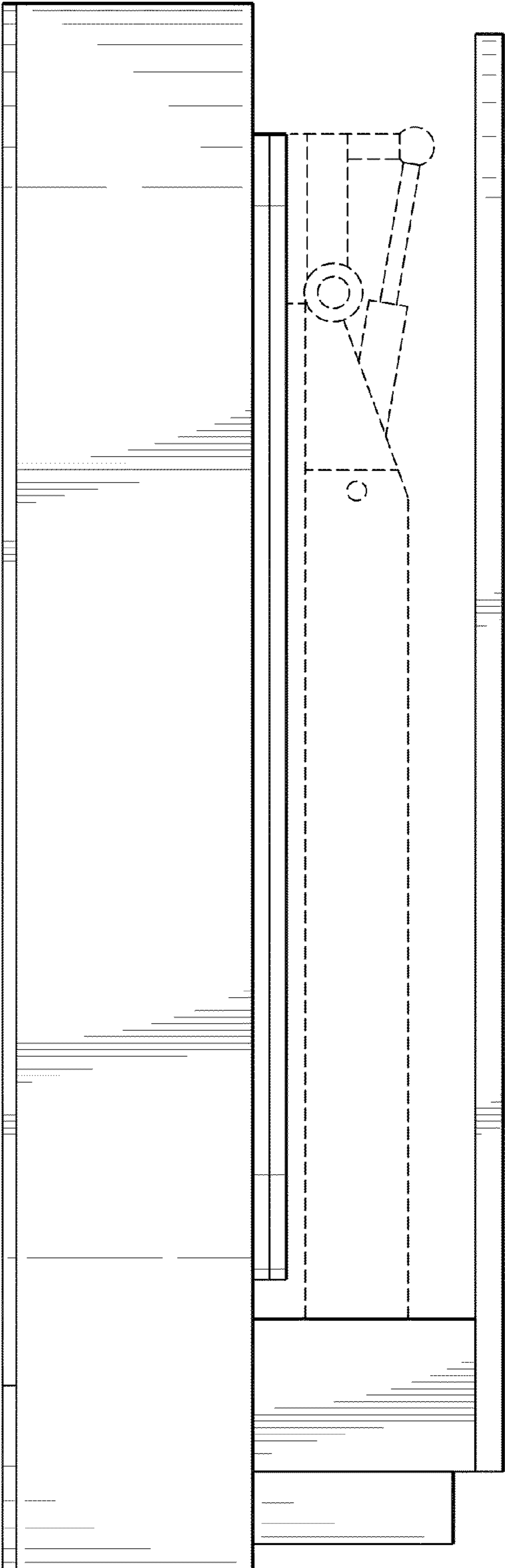


FIG. 3

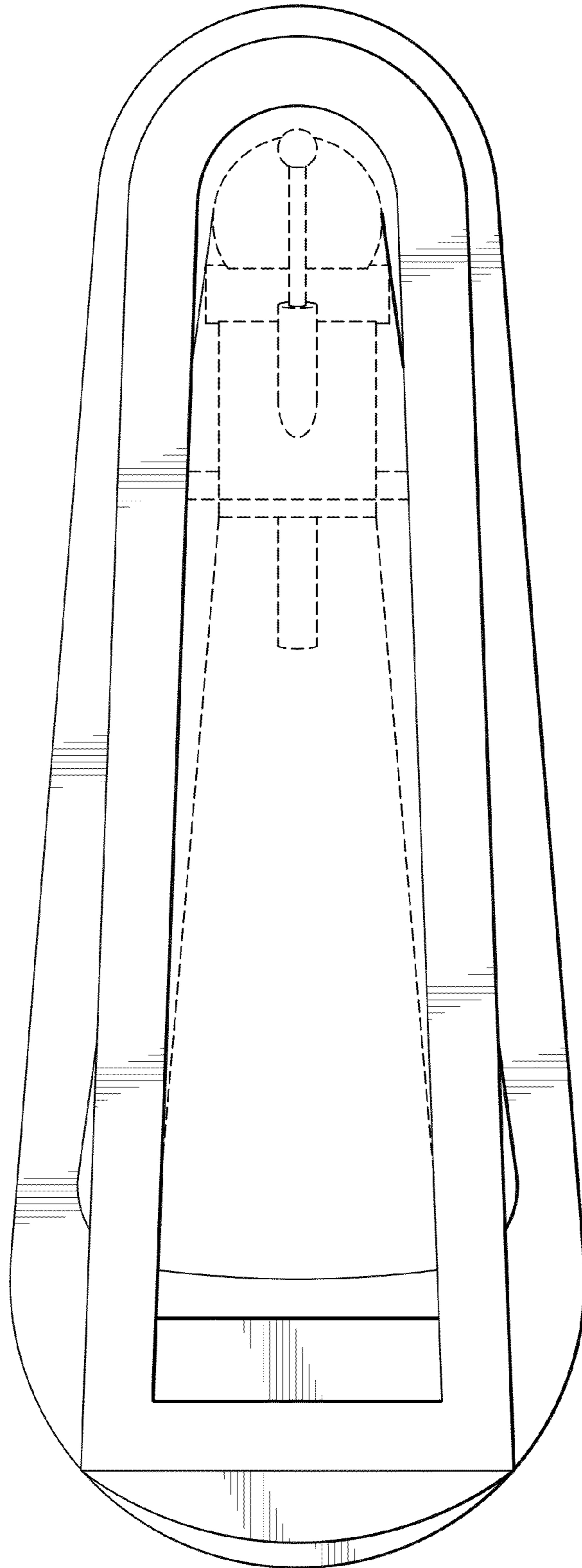


FIG. 4

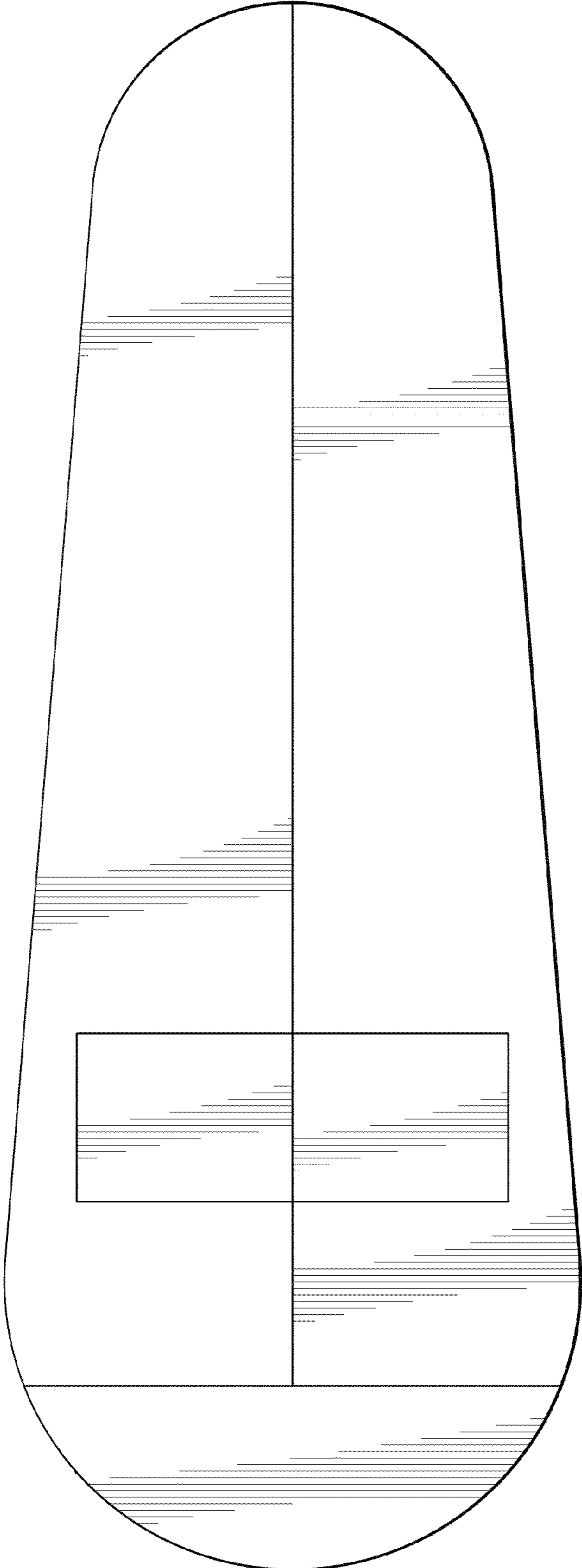


FIG. 5

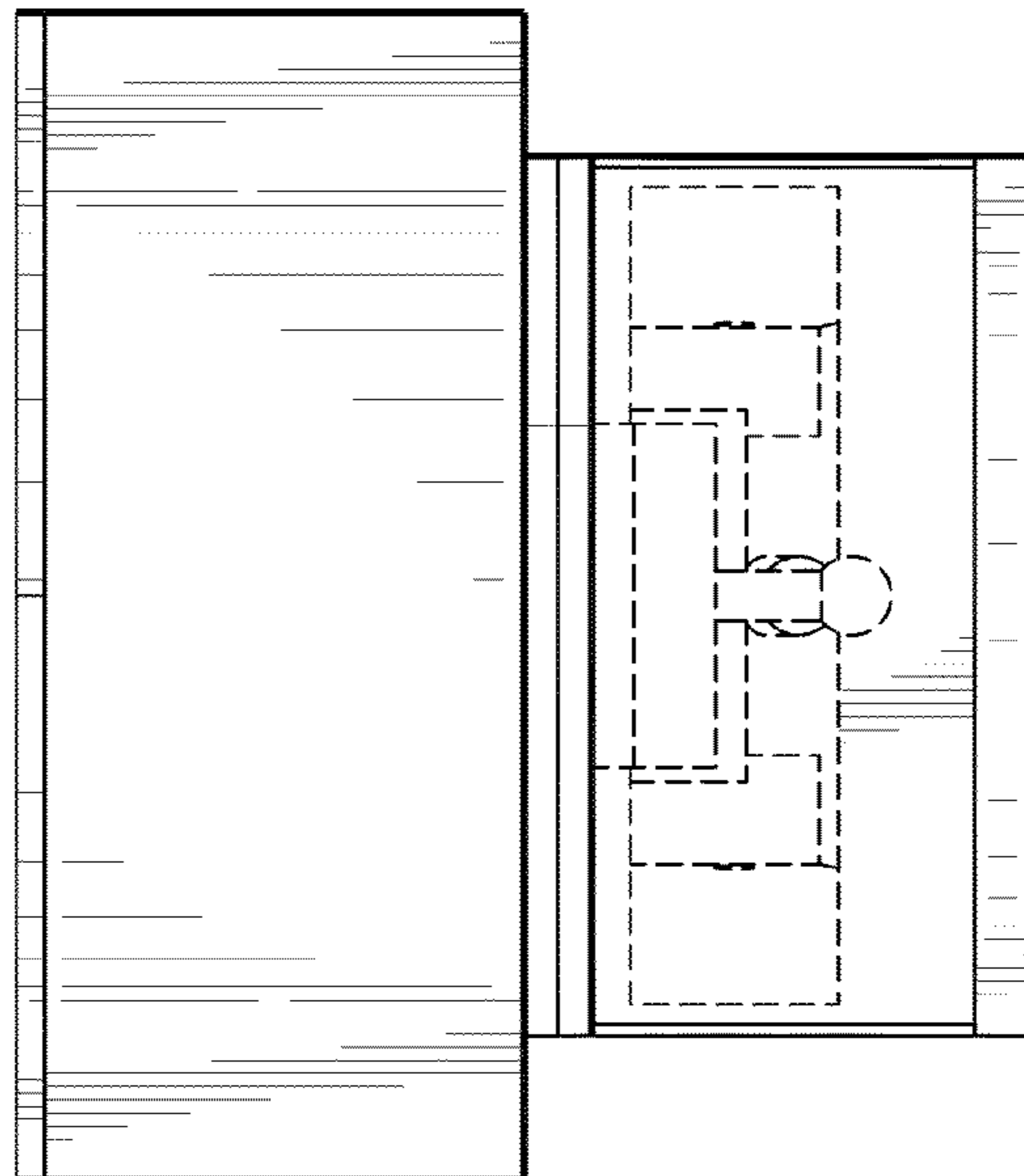


FIG. 7

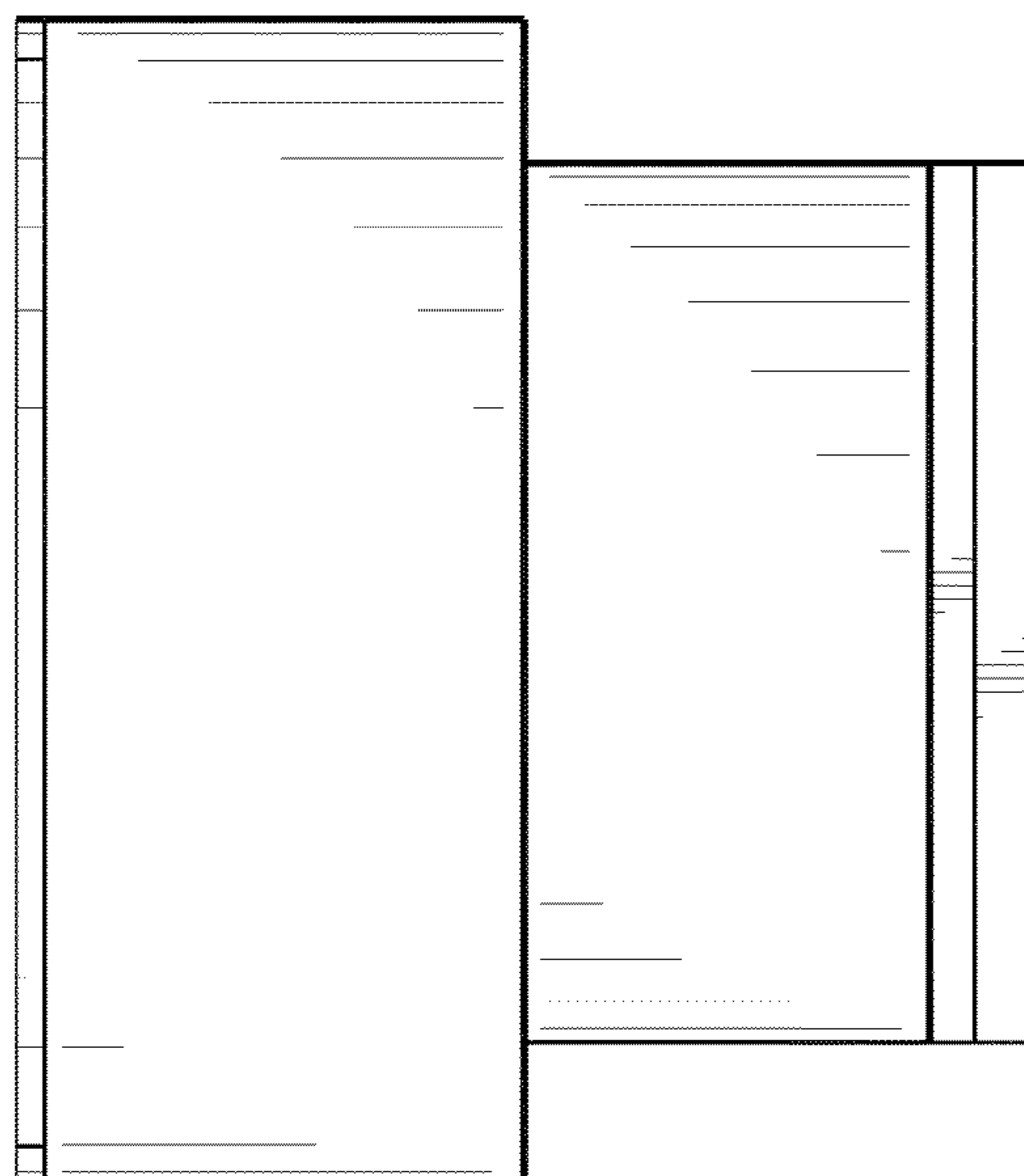


FIG. 6

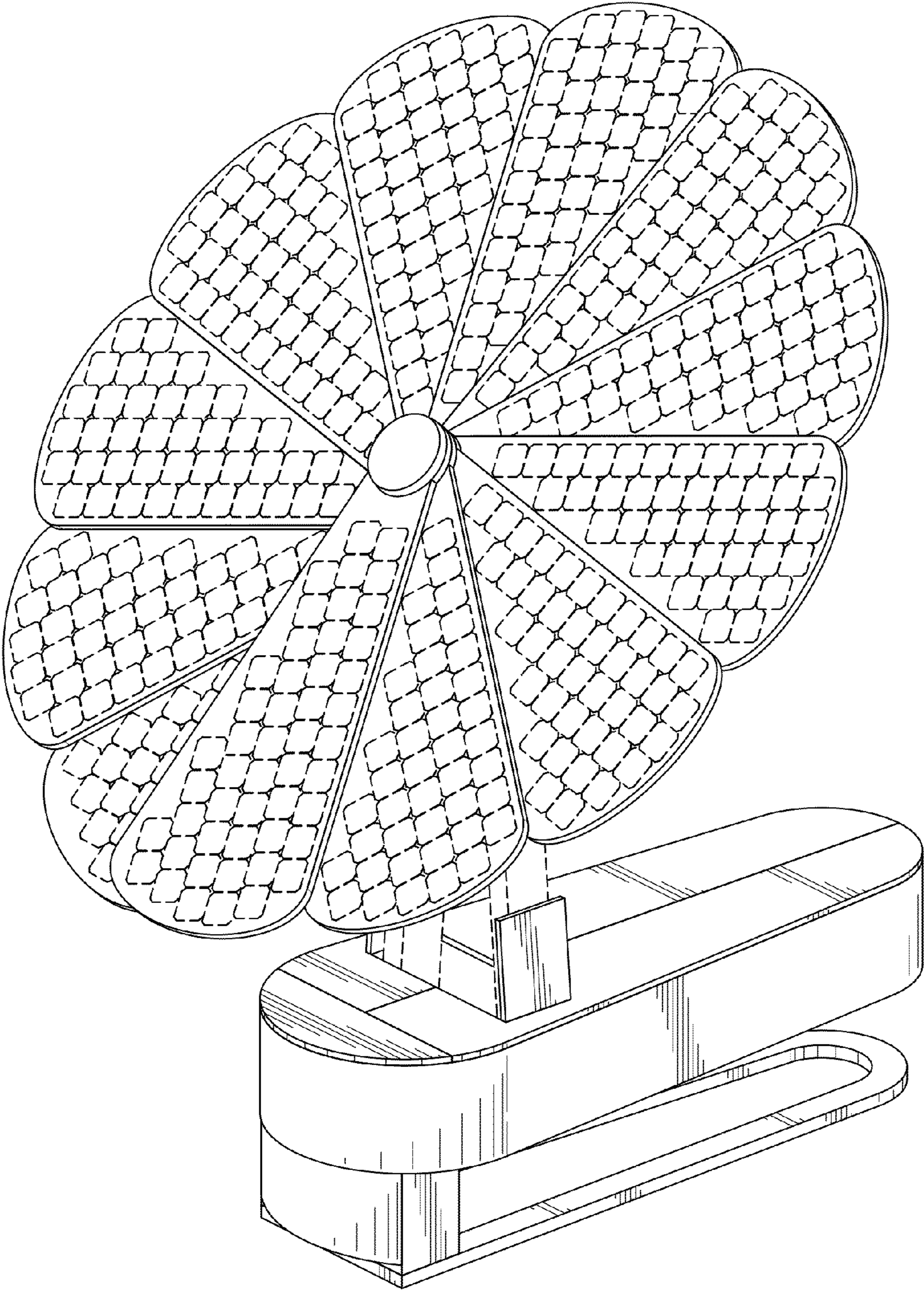


FIG. 8

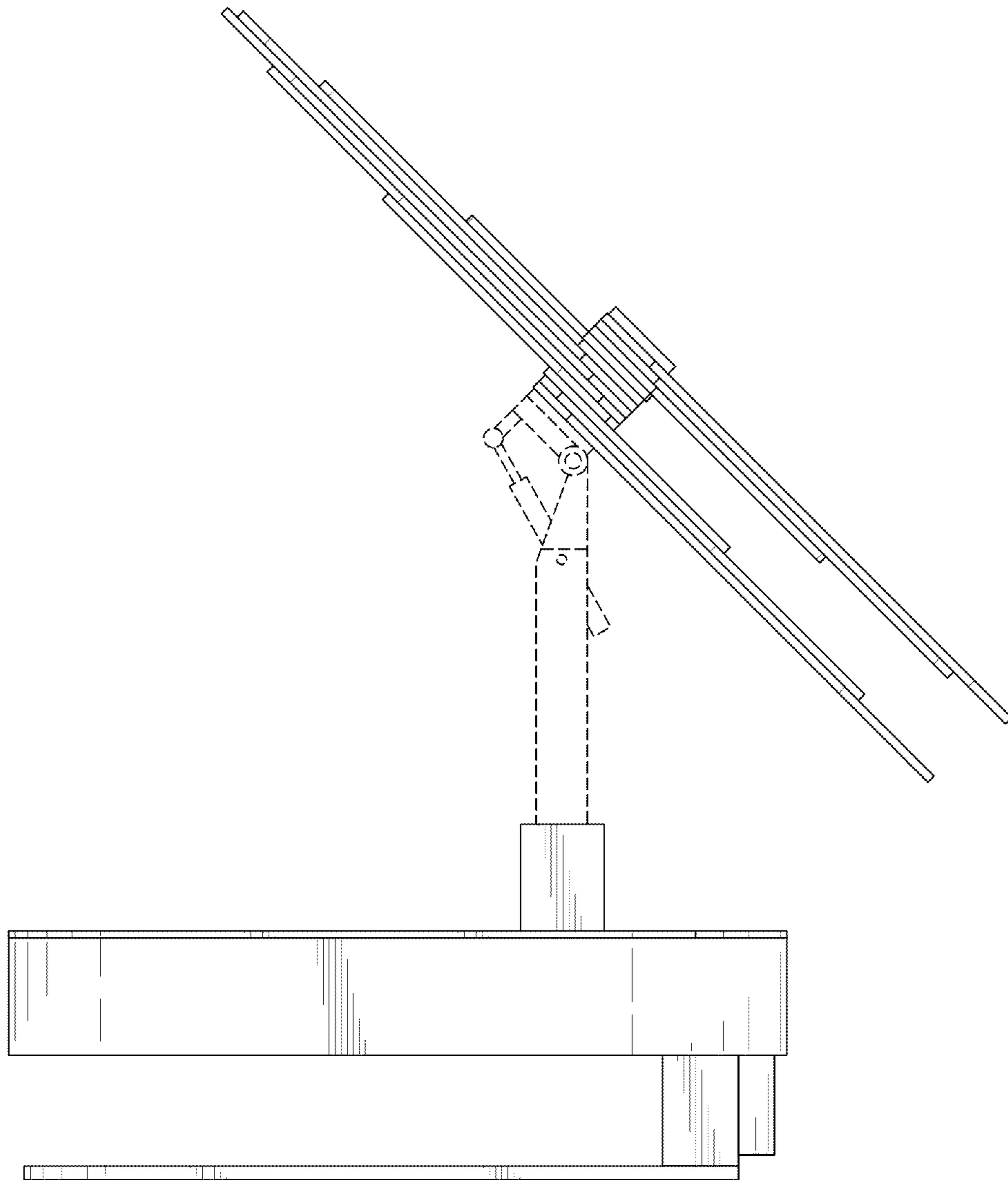


FIG. 9

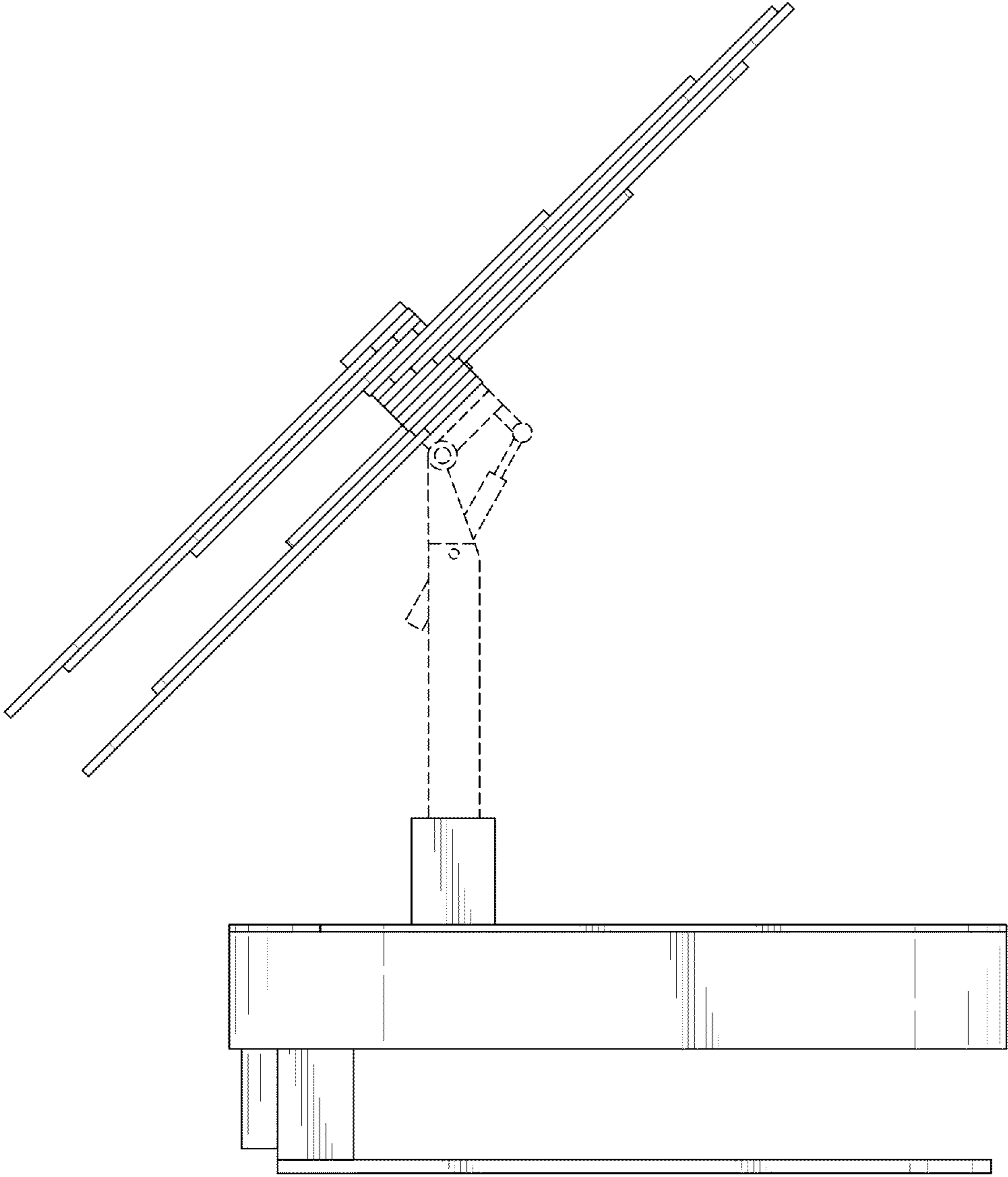


FIG. 10

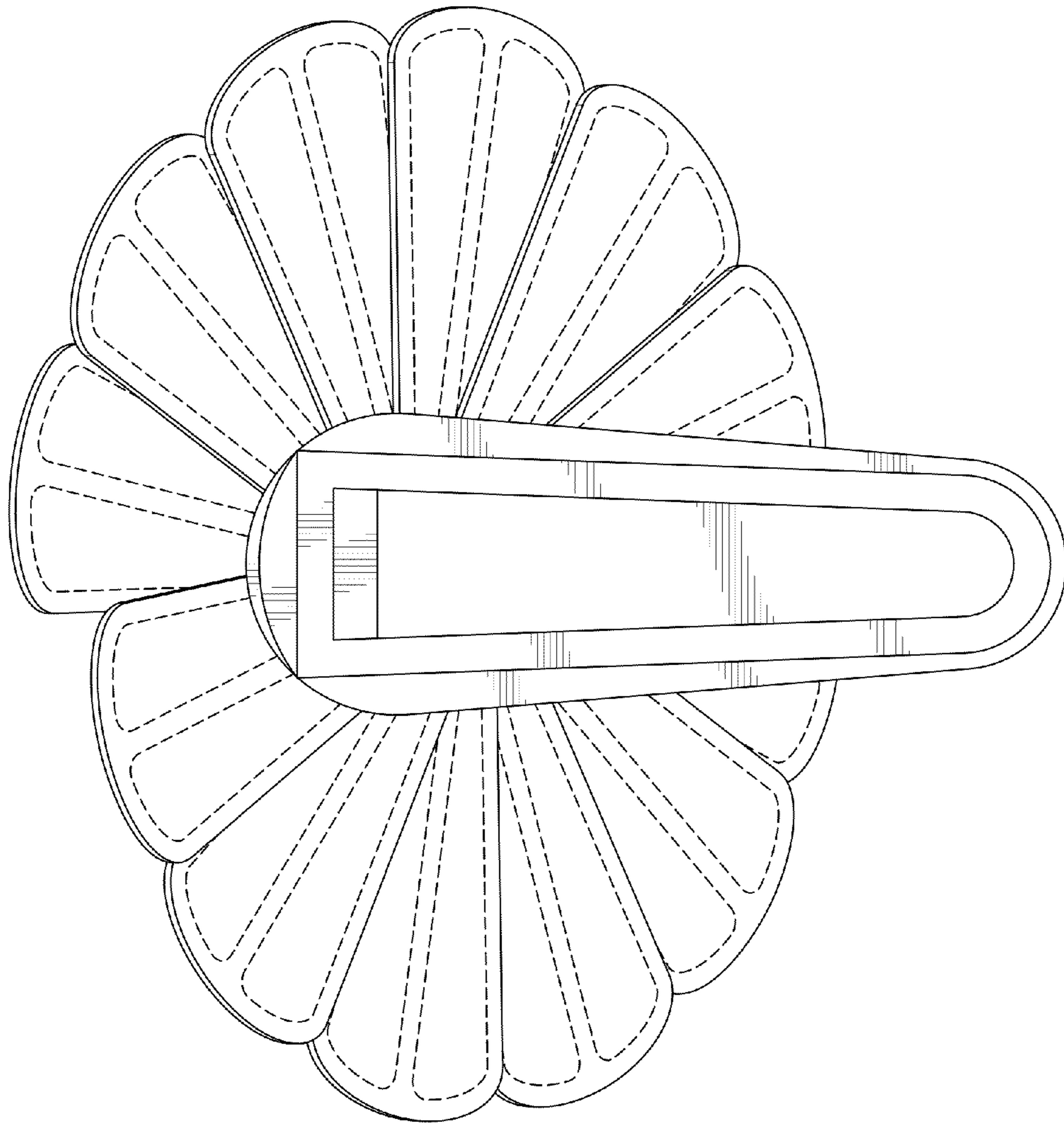


FIG. 11

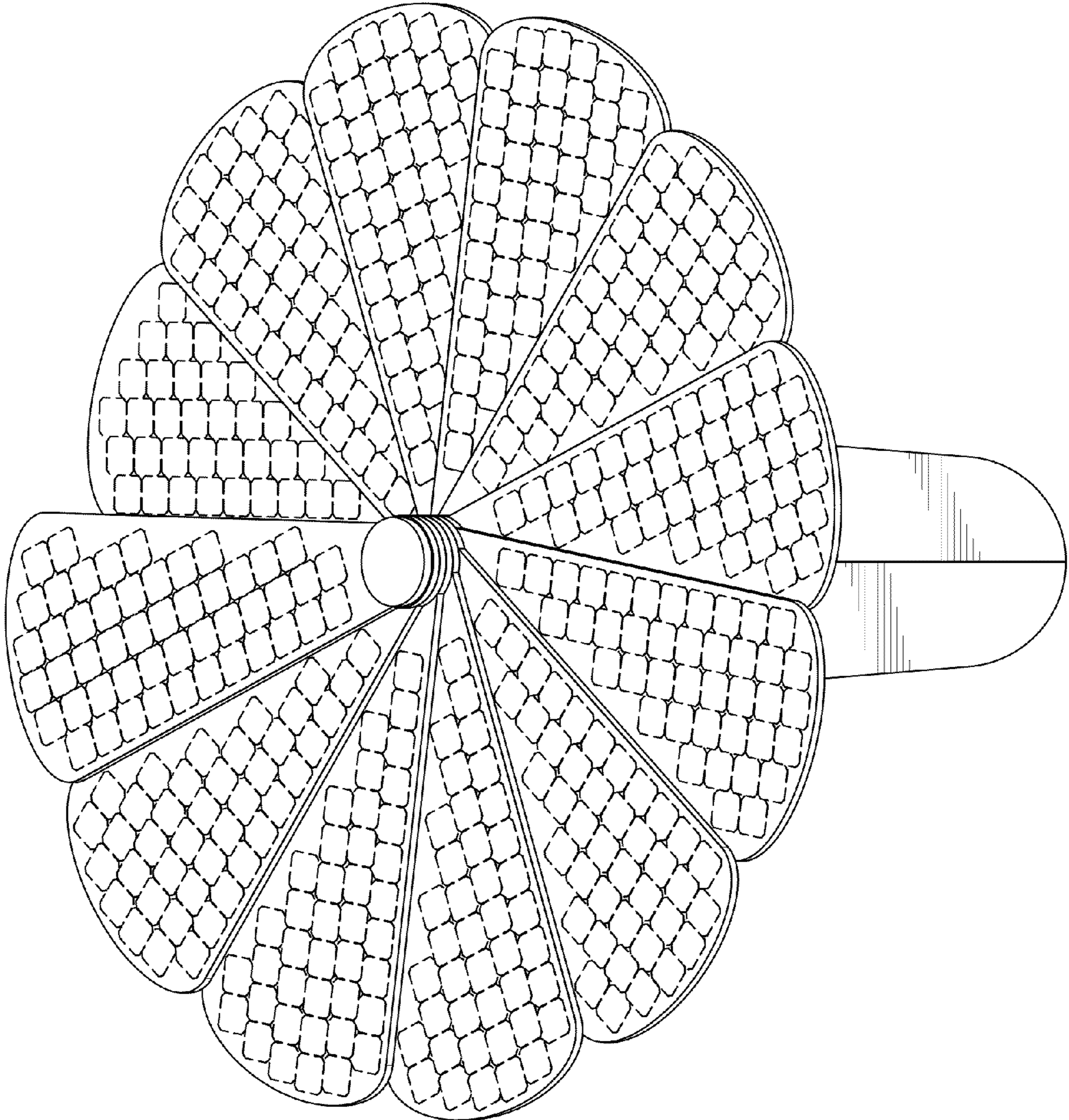


FIG. 12

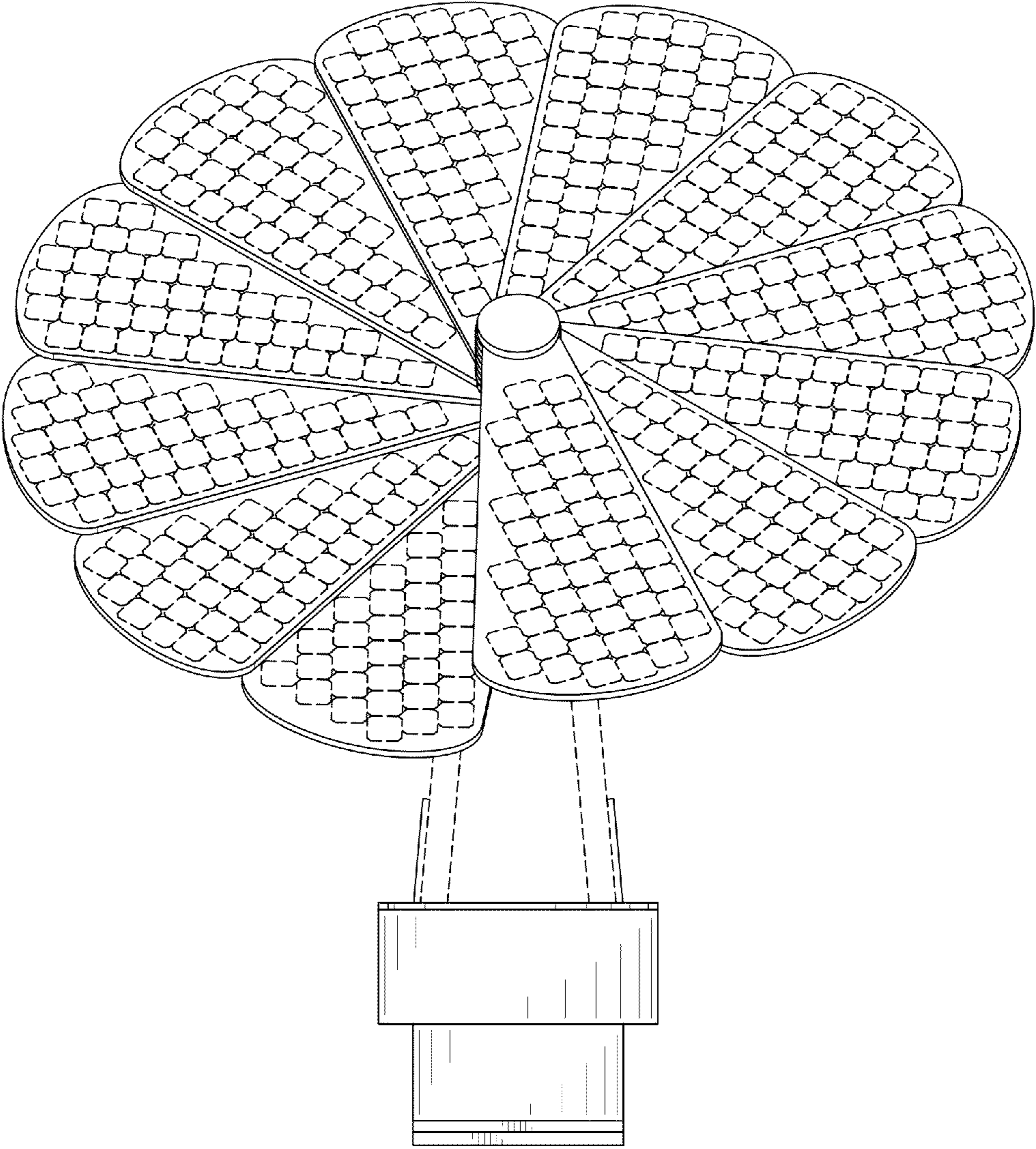


FIG. 13

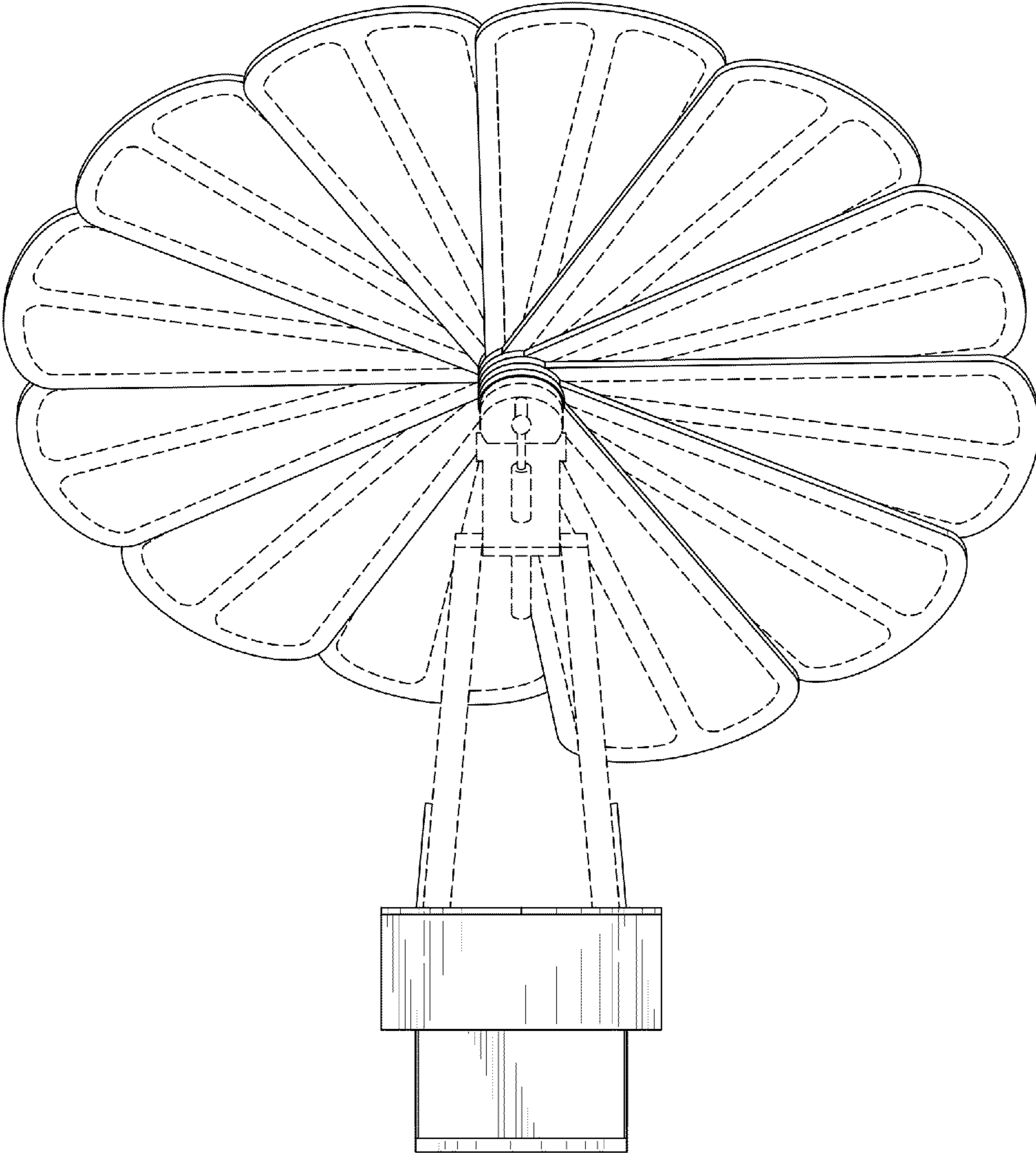


FIG. 14