



US00D712816S

(12) **United States Design Patent**
Maholick et al.

(10) **Patent No.:** **US D712,816 S**

(45) **Date of Patent:** **** Sep. 9, 2014**

(54) **BRACKET**

(71) Applicant: **General Electric Company**,
Schenectady, NY (US)

(72) Inventors: **William Maholick**, Erie, PA (US);
Jaime J. Garcia, Lawrence Park, PA
(US); **Miguel A. Hernandez**, San Luis
Potosi (MX)

(73) Assignee: **General Electric Company**,
Schenectady, NY (US)

(**) Term: **14 Years**

(21) Appl. No.: **29/464,429**

(22) Filed: **Aug. 16, 2013**

(51) **LOC (10) Cl.** **12-06**

(52) **U.S. Cl.**
USPC **D12/223; D8/354**

(58) **Field of Classification Search**
USPC D12/223, 187; D8/349, 354, 382;
248/475.1, 483, 200, 300, 576, 617,
248/479-482; D6/300

See application file for complete search history.

(56) **References Cited**

U.S. PATENT DOCUMENTS

D624,805 S *	10/2010	Clarke	D8/354
D687,698 S *	8/2013	Machijima et al.	D8/354
D695,091 S *	12/2013	Nunez Farfan	D8/354
D695,592 S *	12/2013	White	D8/354

* cited by examiner

Primary Examiner — Sheryl Lane

(74) *Attorney, Agent, or Firm* — GE Global Patent
Operation; John A. Kramer

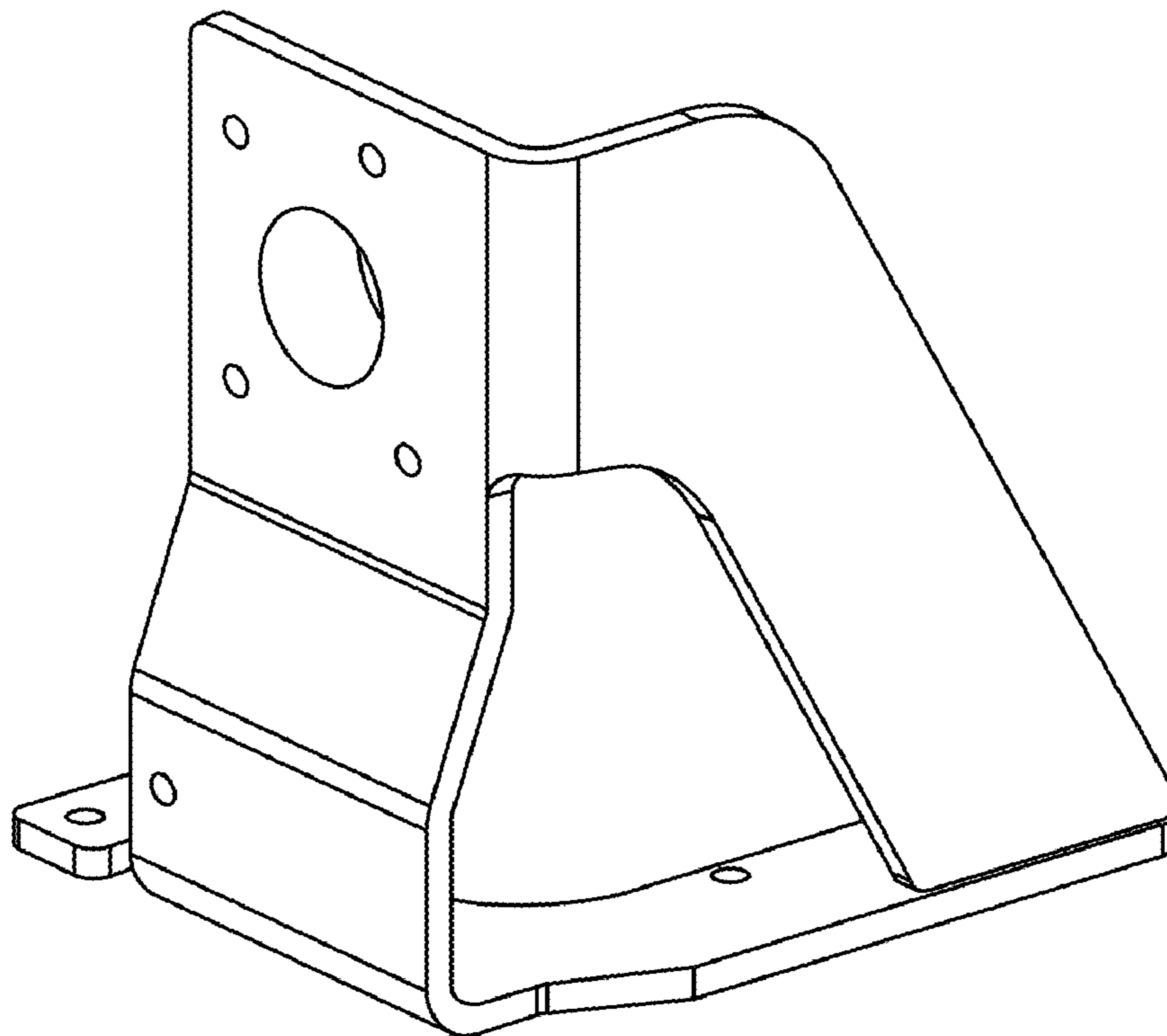
(57) **CLAIM**

The ornamental design for a bracket, substantially as shown.

DESCRIPTION

FIG. 1 is front, top, right-hand side perspective view of a bracket comprising a new, original and ornamental design; FIG. 2 is a front view thereof; FIG. 3 is a right-hand side view thereof; FIG. 4 is a left-hand side view thereof; FIG. 5 is a top view thereof; FIG. 6 is a bottom view thereof; and, FIG. 7 is a rear view thereof.

1 Claim, 4 Drawing Sheets



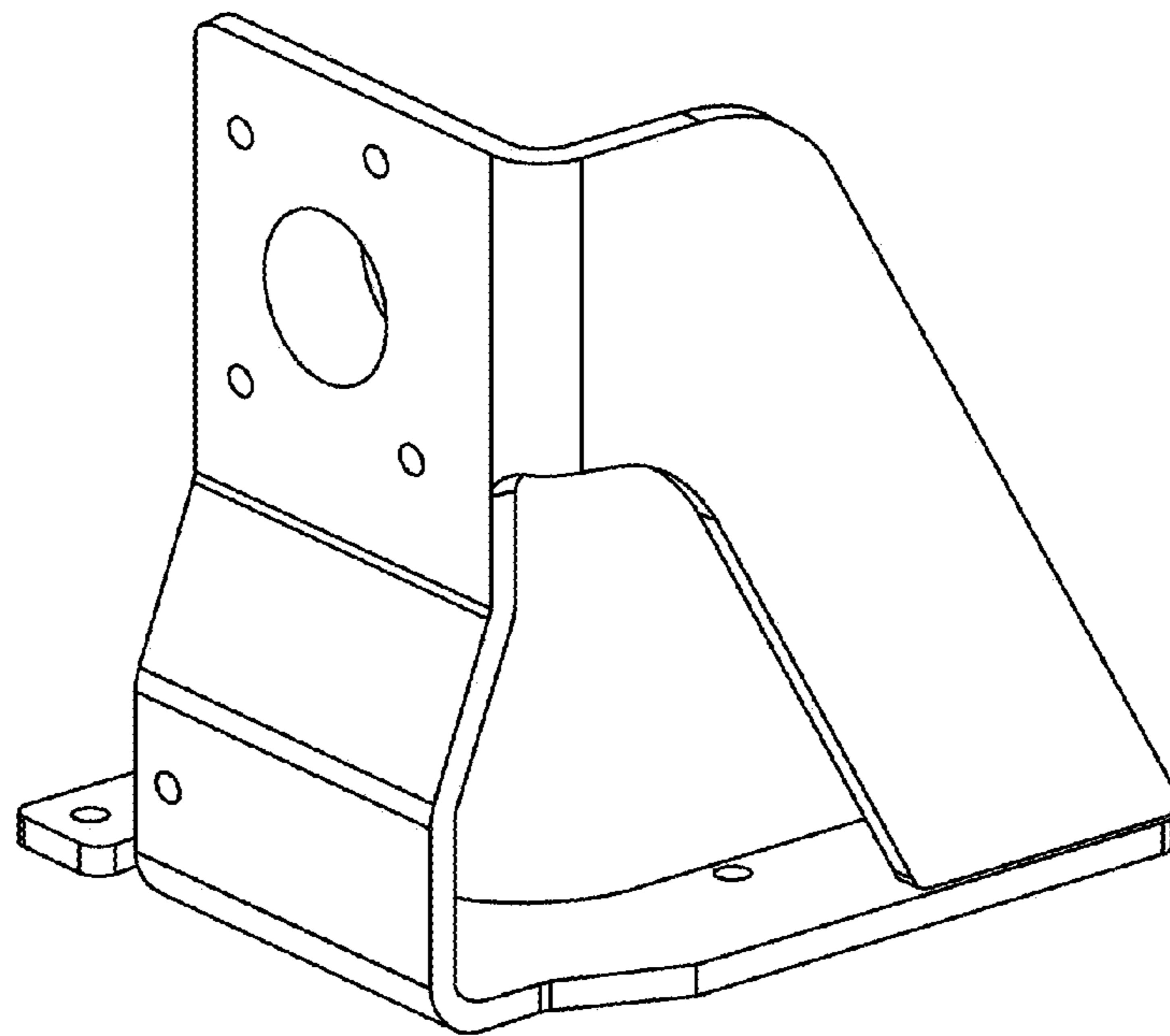


FIG. 1

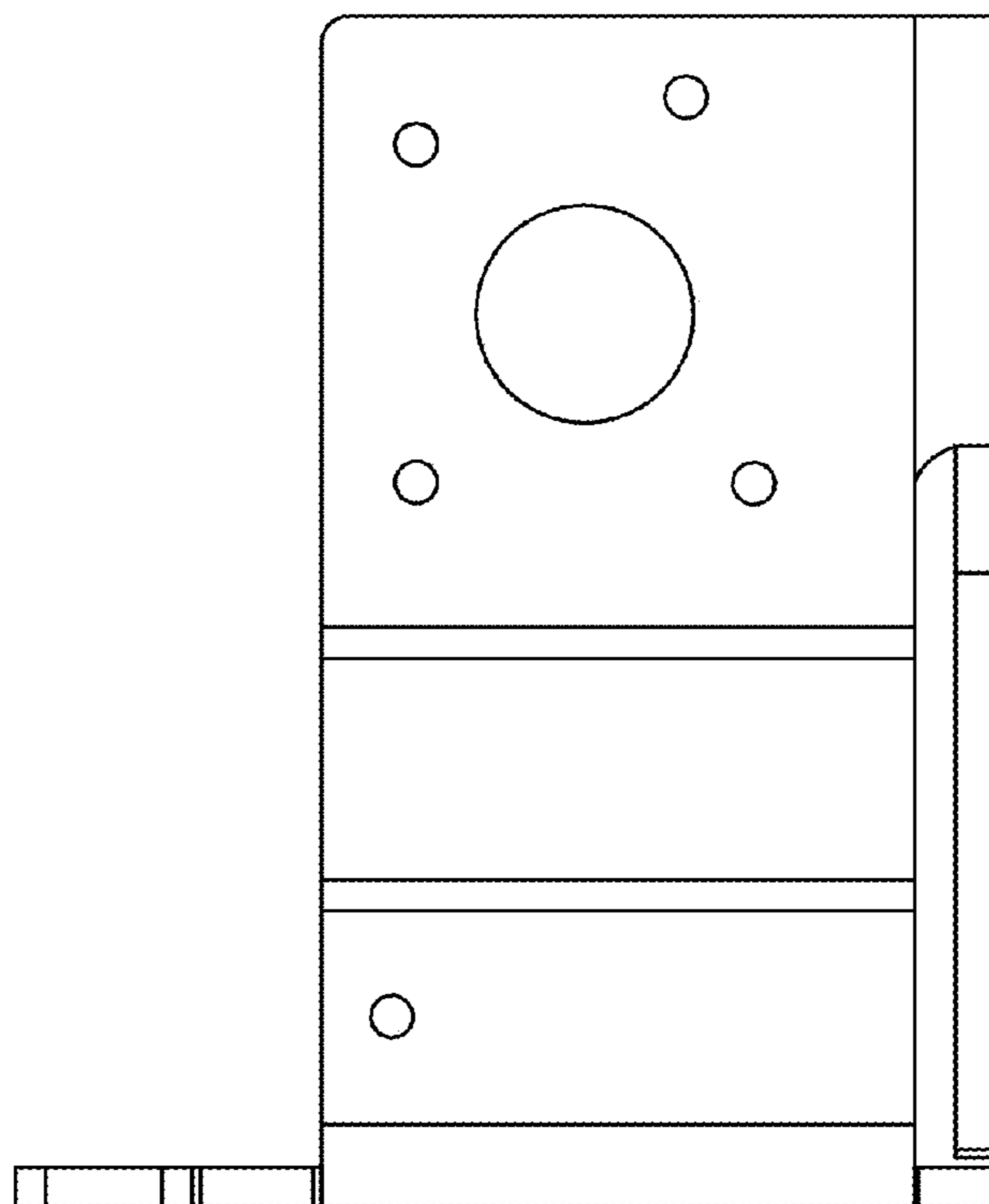


FIG. 2

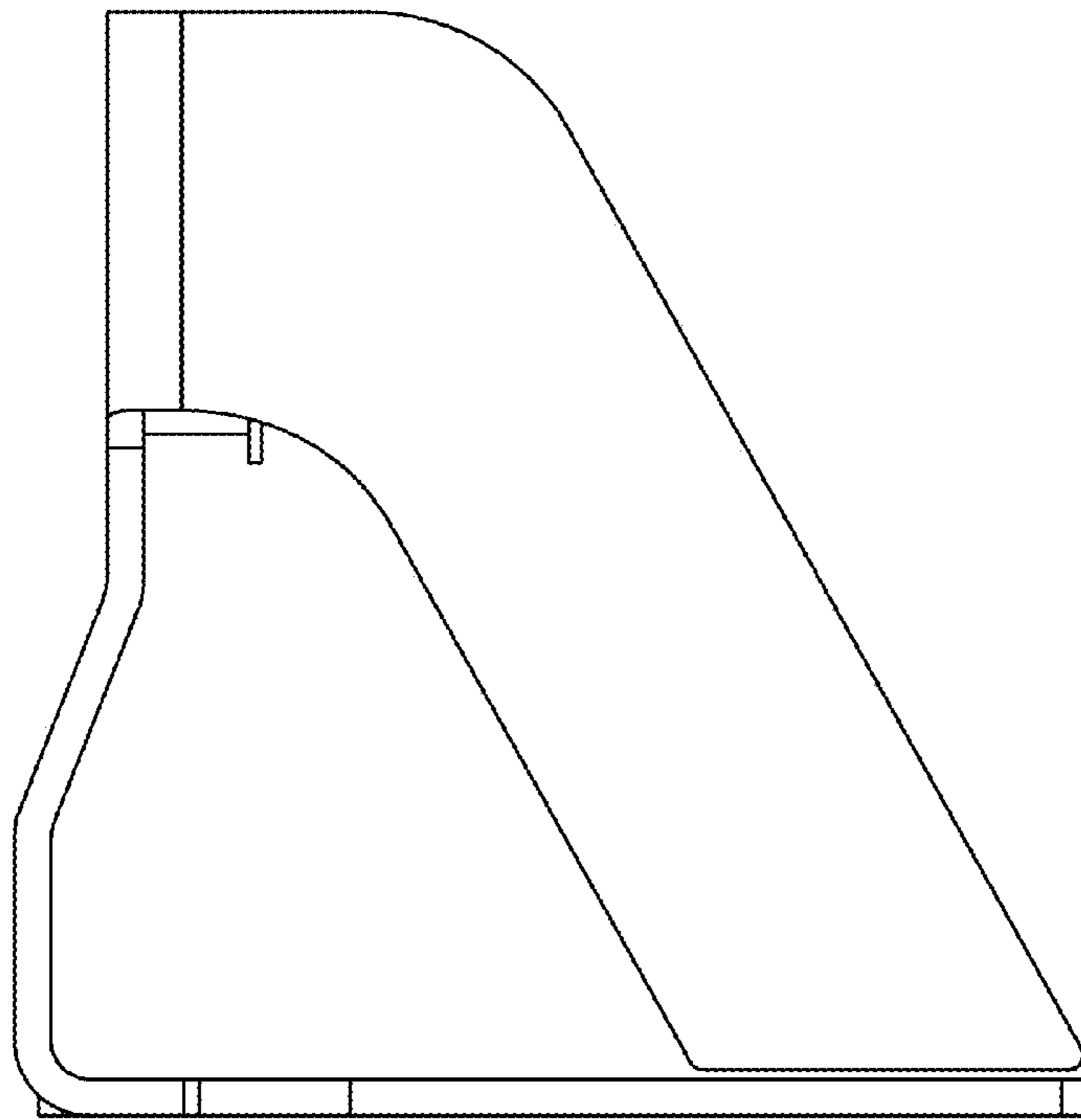


FIG. 3

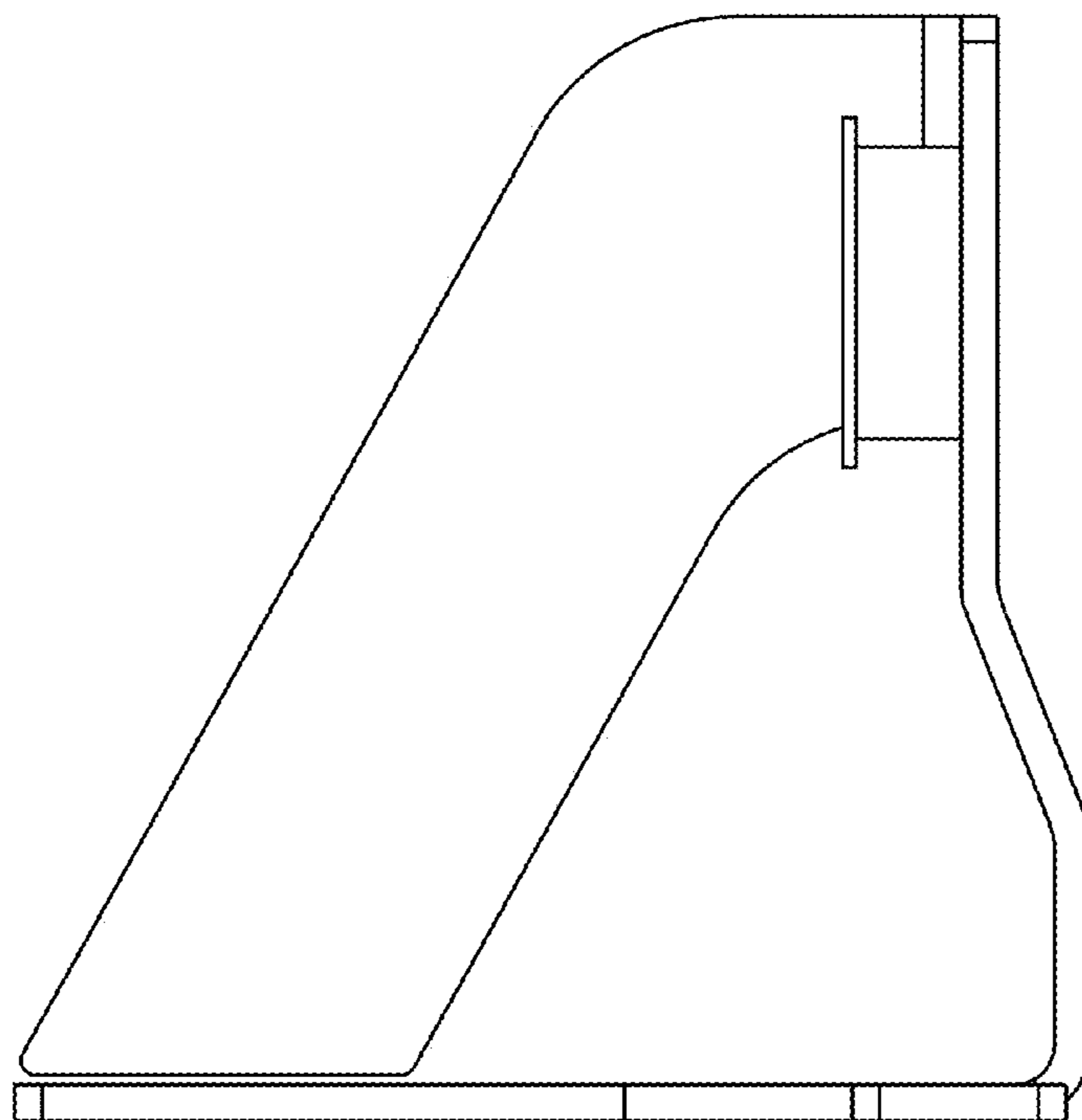


FIG. 4

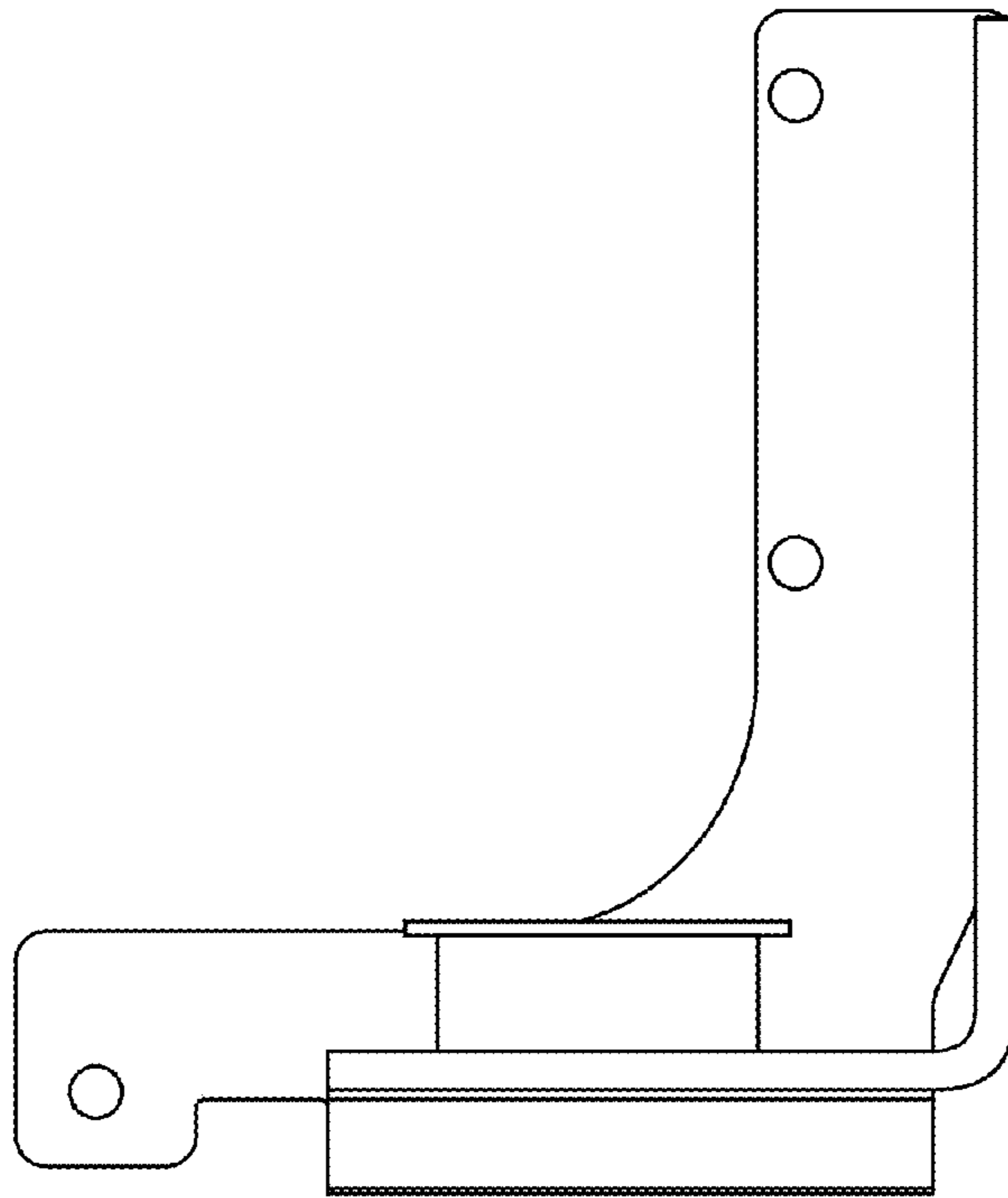


FIG. 5

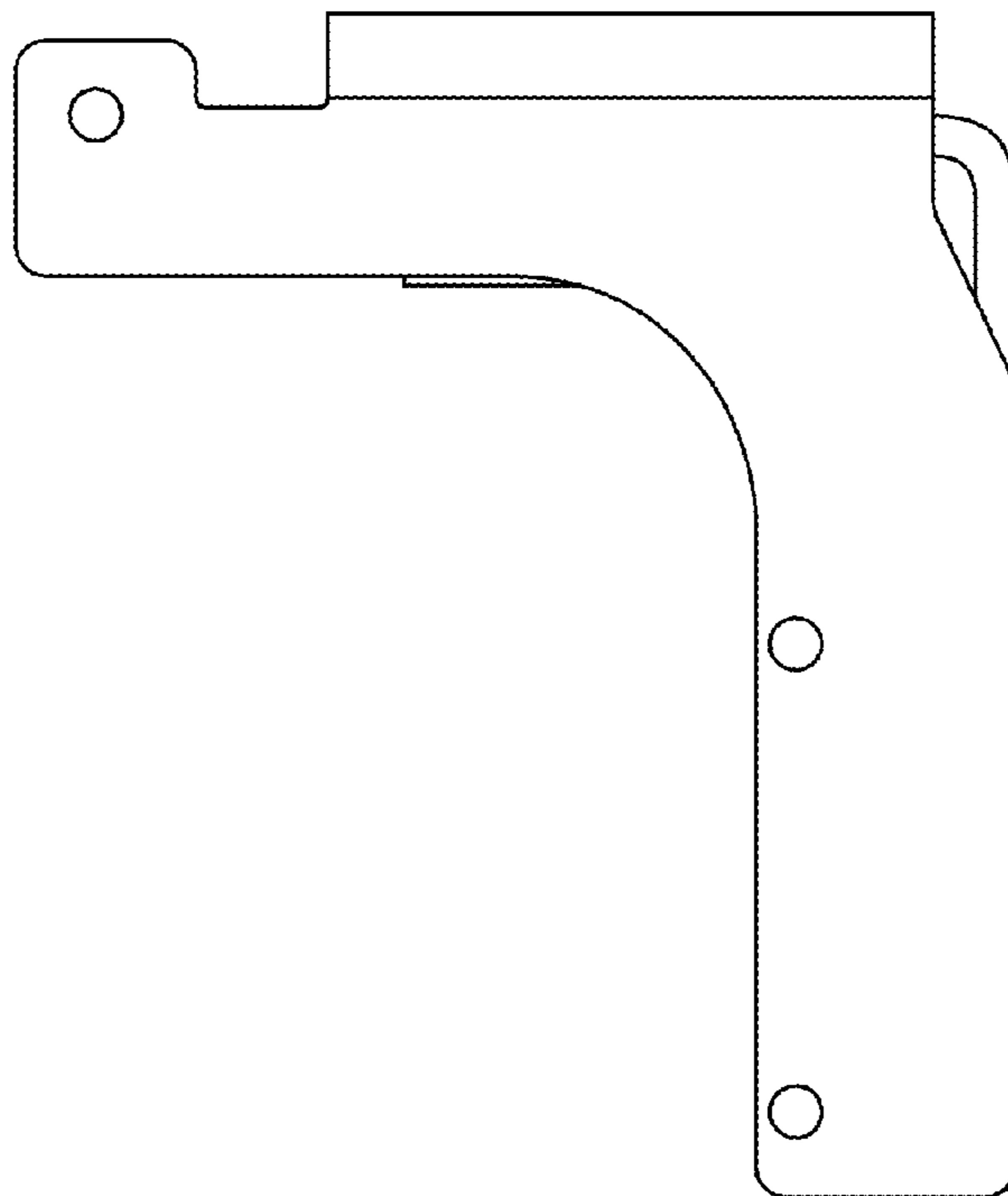


FIG. 6

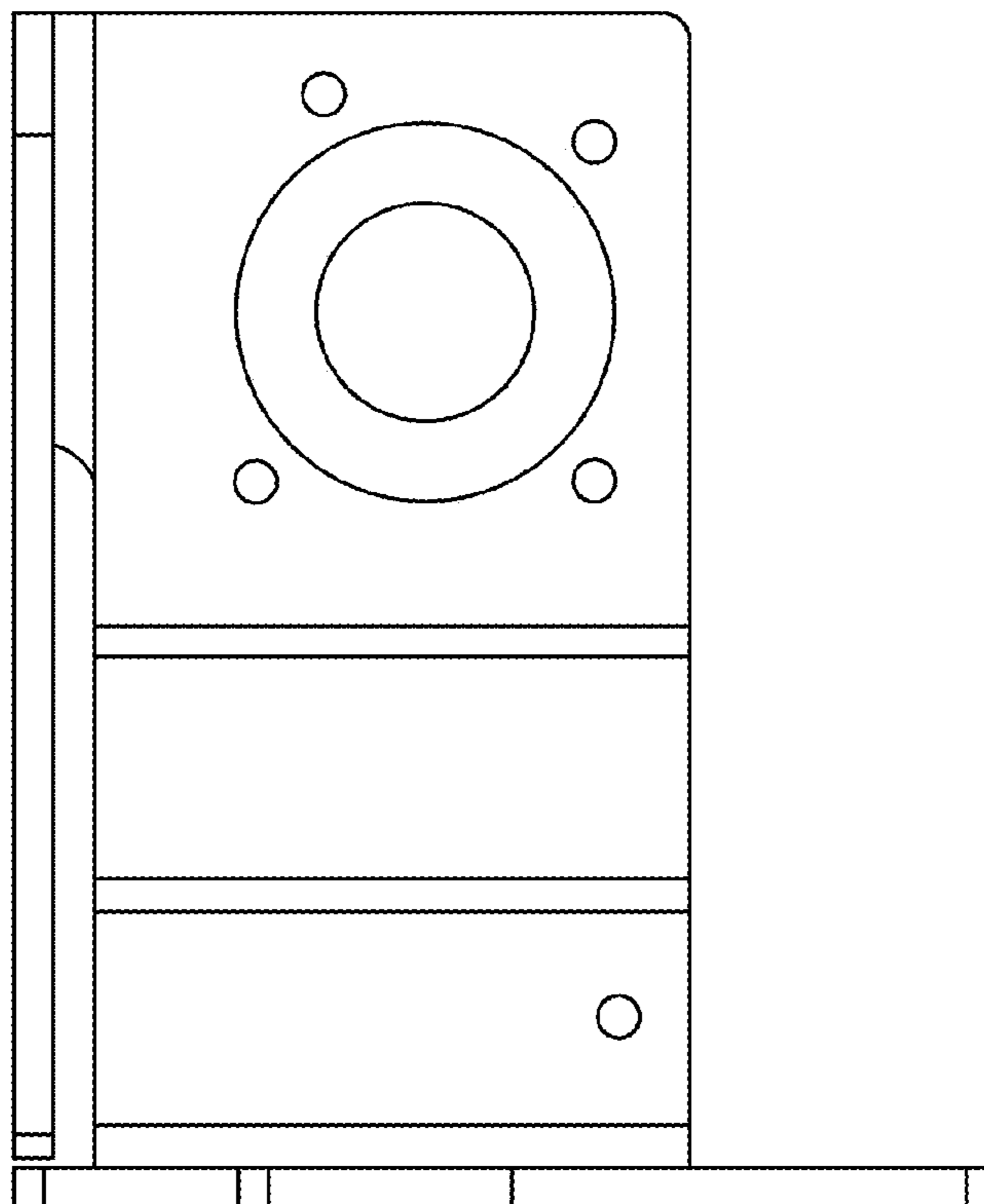


FIG. 7