



US00D712812S

(12) **United States Design Patent**
Verlengiere

(10) **Patent No.:** **US D712,812 S**
(45) **Date of Patent:** **** Sep. 9, 2014**

(54) **GO-KART EXHAUST WITH VIBRATION ISOLATION COUPLER**

(76) Inventor: **Arthur R. Verlengiere**, Santa Maria, CA (US)

(**) Term: **14 Years**

(21) Appl. No.: **29/431,109**

(22) Filed: **Sep. 4, 2012**

(51) **LOC (10) Cl.** **12-16**

(52) **U.S. Cl.**
USPC **D12/194**

(58) **Field of Classification Search**
USPC D12/194; 285/223, 229, 232-233, 285/235-236; 180/89.2, 296, 309; 181/227-228, 239-241, 264, 282, 181/247-249; D15/5; 60/303, 313, 323; 29/890.08; 293/113; 138/37-39, 44, 138/103, 109

See application file for complete search history.

(56) **References Cited**

U.S. PATENT DOCUMENTS

3,504,903 A * 4/1970 Irwin 267/152
4,800,719 A * 1/1989 Campbell 60/313

4,831,823 A * 5/1989 Ueda 60/313
4,860,538 A * 8/1989 Takeuchi 60/313
4,953,352 A * 9/1990 Campbell 60/313
5,238,472 A * 8/1993 Pfister et al. 55/282.3
6,109,661 A * 8/2000 Cwik et al. 285/45
8,500,172 B2 * 8/2013 Turfait et al. 285/226

* cited by examiner

Primary Examiner — Michael A Pratt

(74) *Attorney, Agent, or Firm* — John Alunit

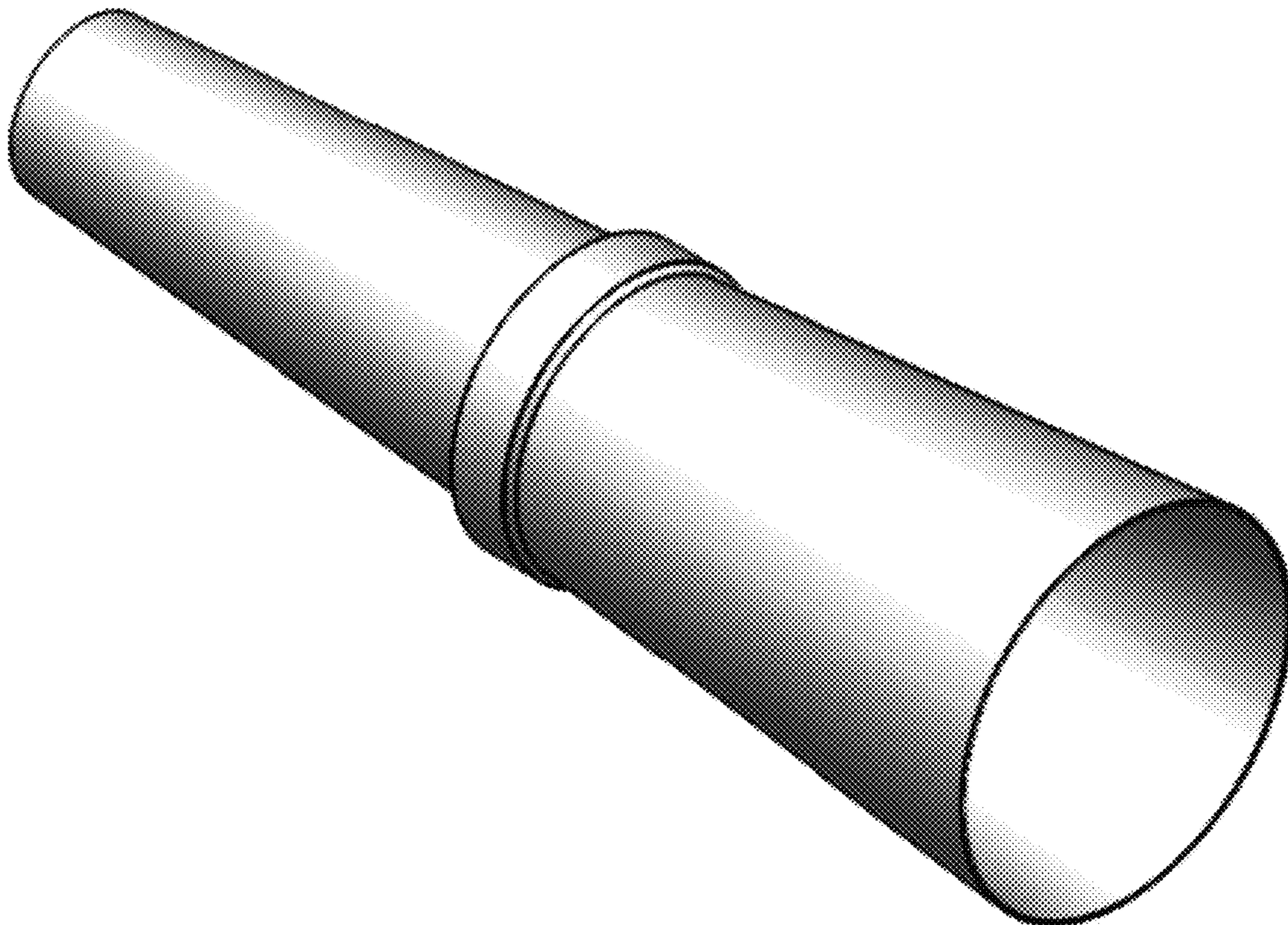
(57) **CLAIM**

I claim the ornamental design of a go-kart exhaust with vibration isolation coupler, as shown and described herein.

DESCRIPTION

FIG. 1 is a perspective view of a go-kart exhaust with vibration isolation coupler according to the new design.
FIG. 2 is a side view of the go-kart exhaust with vibration isolation coupler according to the new design.
FIG. 3 is a sectional view of section A of FIG. 2.
FIG. 4 is a top view of the go-kart exhaust with vibration isolation coupler according to the new design; and,
FIG. 5 is a bottom view of the go-kart exhaust with vibration isolation coupler according to the new design.

1 Claim, 5 Drawing Sheets



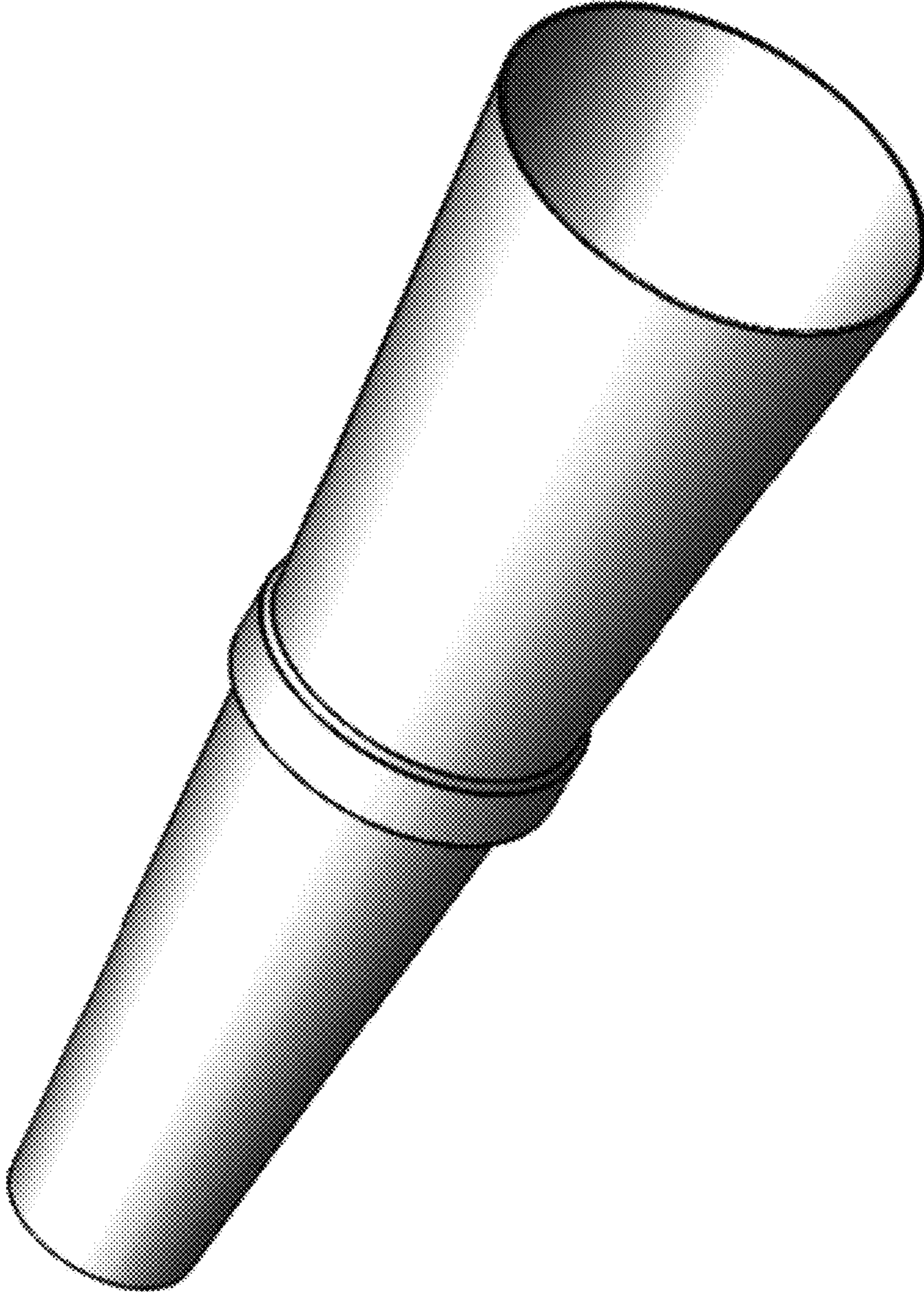


FIG. 1

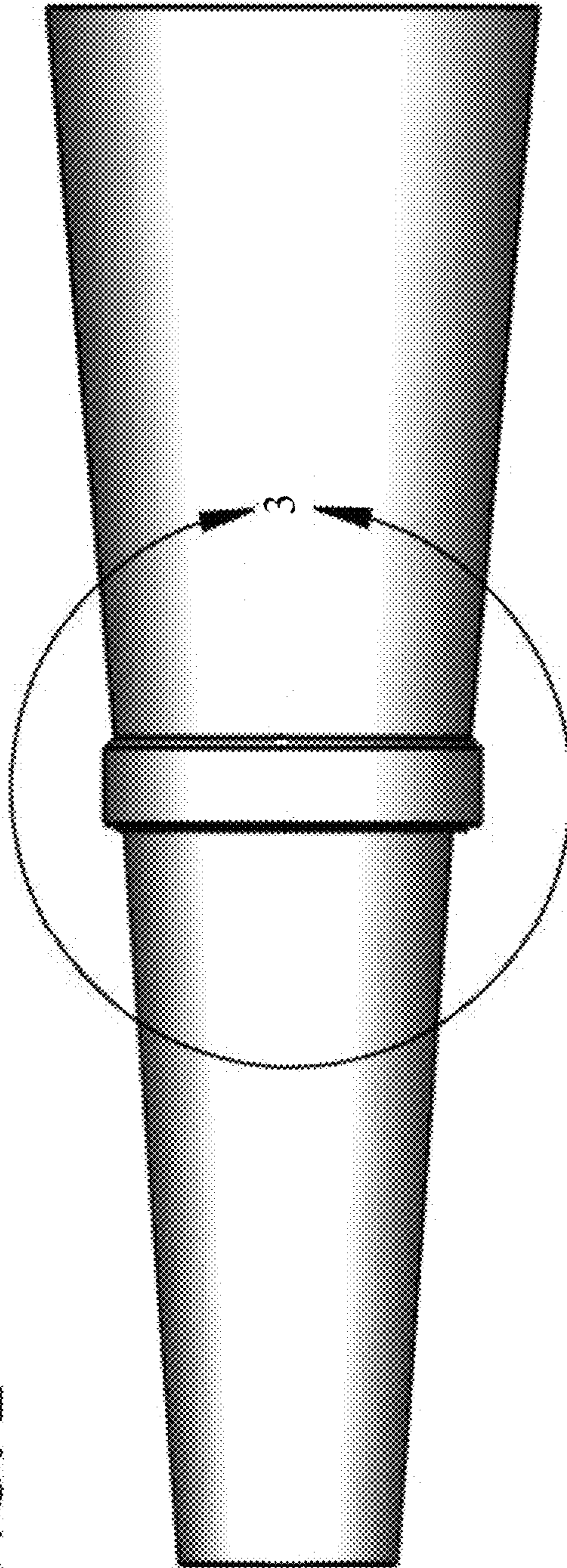


FIG. 2

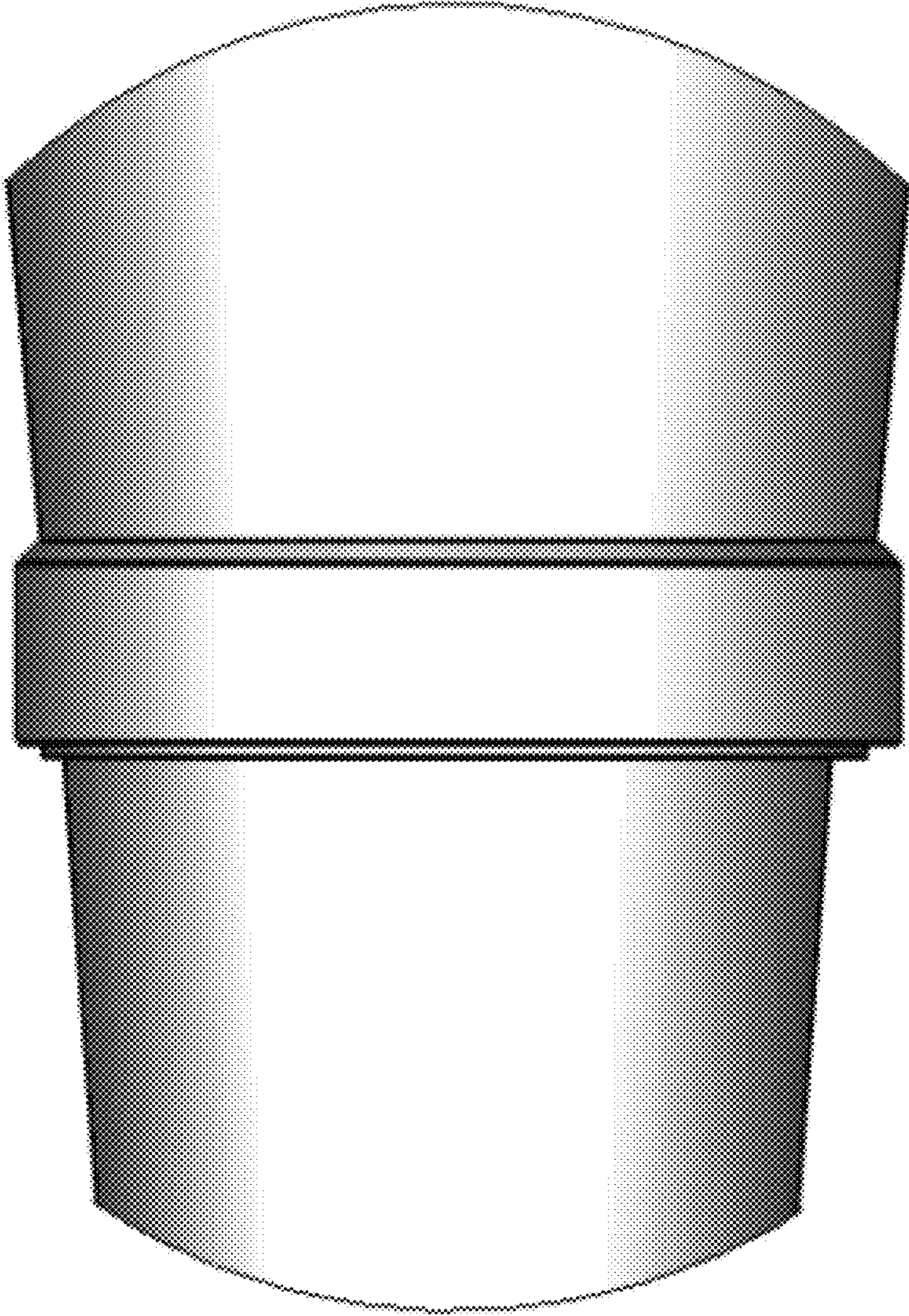


FIG. 3

FIG. 4

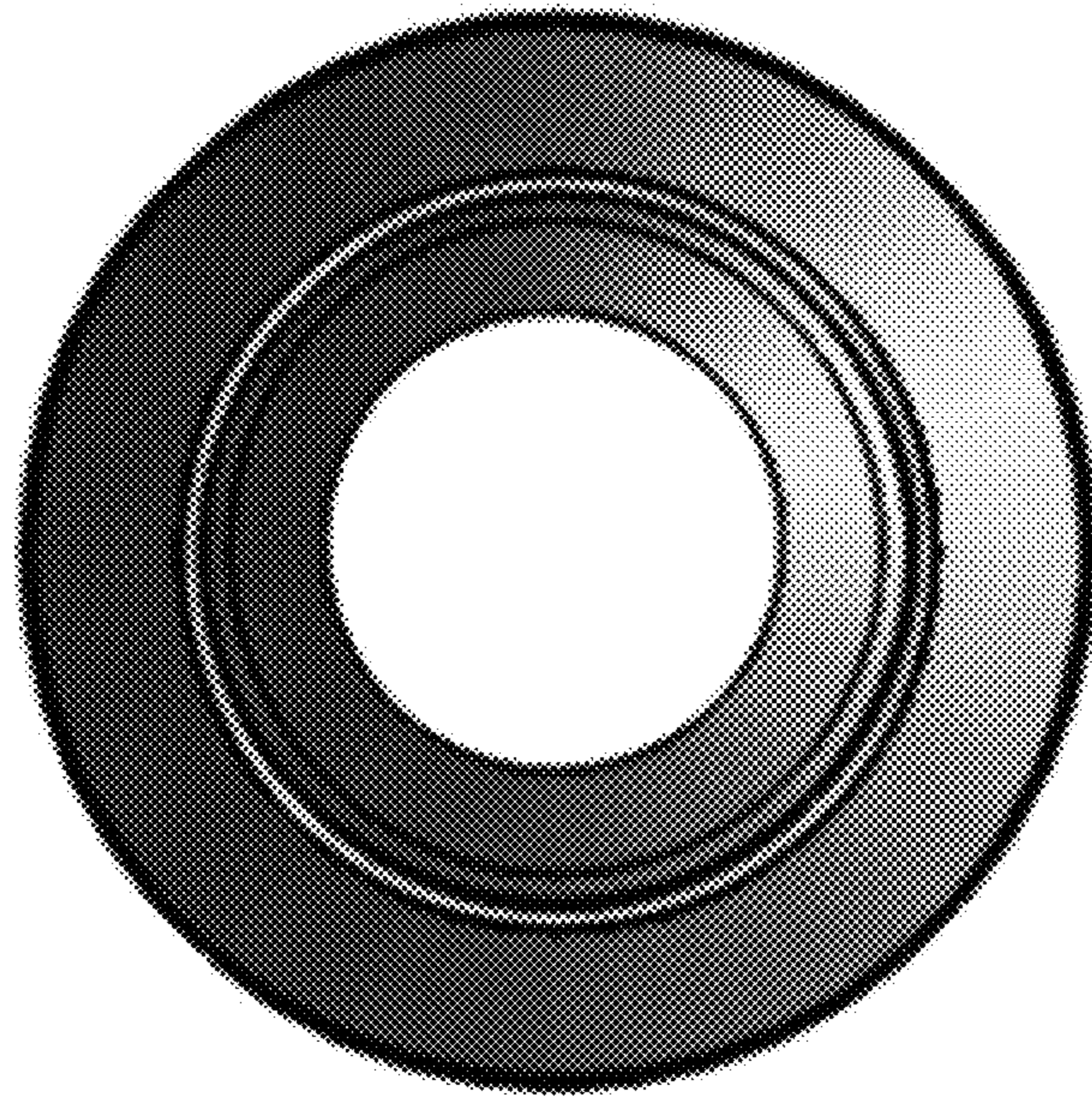


FIG. 5

