



US00D712807S

(12) **United States Design Patent**  
**Magana**

(10) **Patent No.:** **US D712,807 S**

(45) **Date of Patent:** **\*\* Sep. 9, 2014**

(54) **CONTROL GRIP DEVICE**

(71) Applicant: **Mason Electric, Co.**, Sylmar, CA (US)

(72) Inventor: **Jose Magana**, Granada Hills, CA (US)

(73) Assignee: **Mason Electric Company**, Sylmar, CA (US)

(\*\*) Term: **14 Years**

(21) Appl. No.: **29/434,875**

(22) Filed: **Oct. 17, 2012**

(51) **LOC (10) Cl.** ..... **12-16**

(52) **U.S. Cl.**  
USPC ..... **D12/179**

(58) **Field of Classification Search**  
USPC ..... D12/179; D14/117.4; 74/475, 489, 523,  
74/473.1  
See application file for complete search history.

(56) **References Cited**

U.S. PATENT DOCUMENTS

D441,330 S \* 5/2001 Okazawa et al. .... D12/179  
D457,475 S \* 5/2002 Agate et al. .... D12/179  
D498,719 S \* 11/2004 Yao ..... D12/179

D506,422 S \* 6/2005 Crookes ..... D12/179  
7,999,790 B2 \* 8/2011 Scott ..... 345/161  
2011/0303038 A1 \* 12/2011 Peterson et al. .... 74/471 XY

\* cited by examiner

*Primary Examiner* — Philip S Hyder

*Assistant Examiner* — Darlington Ly

(74) *Attorney, Agent, or Firm* — Perkins Coie LLP

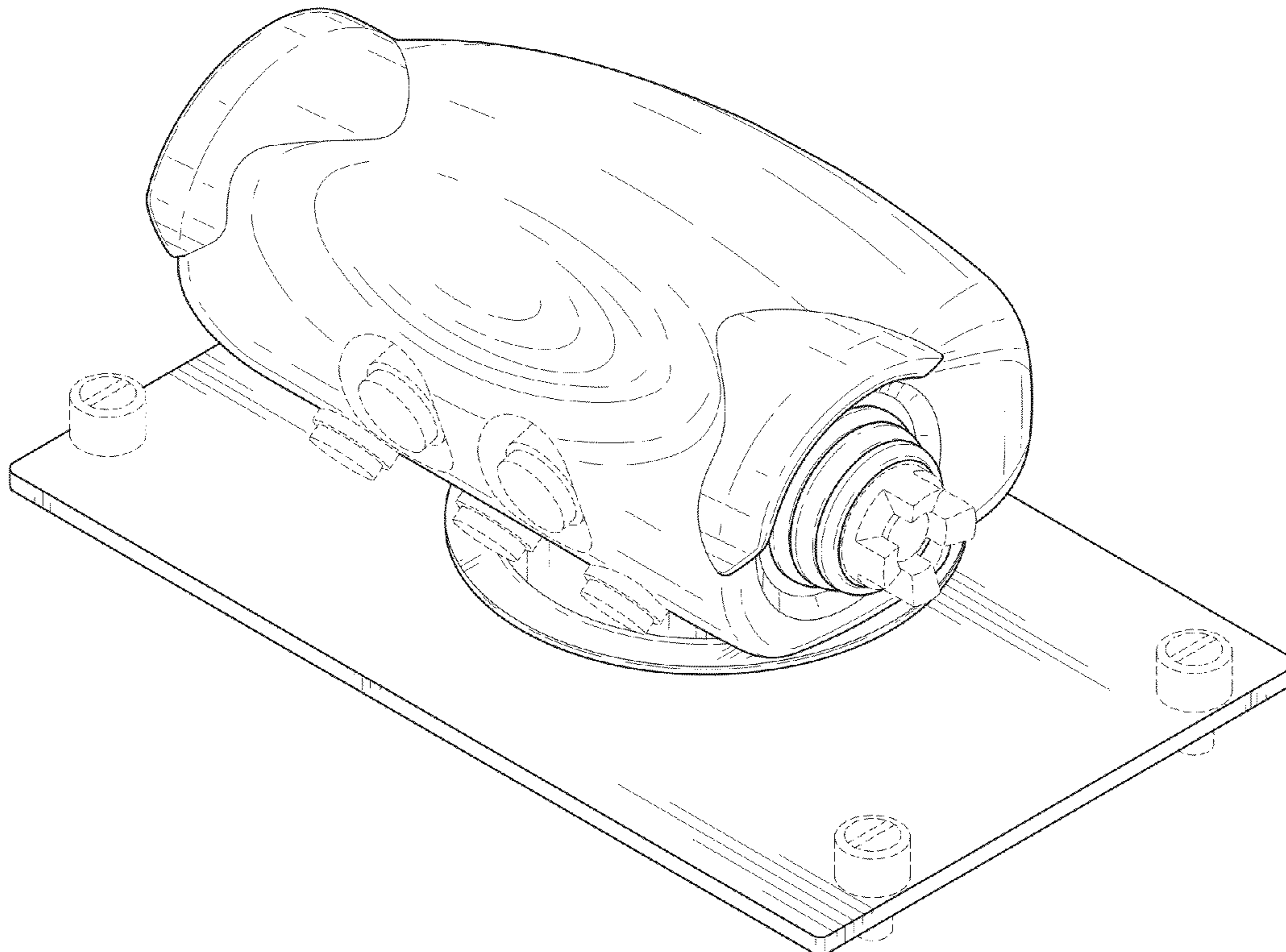
(57) **CLAIM**

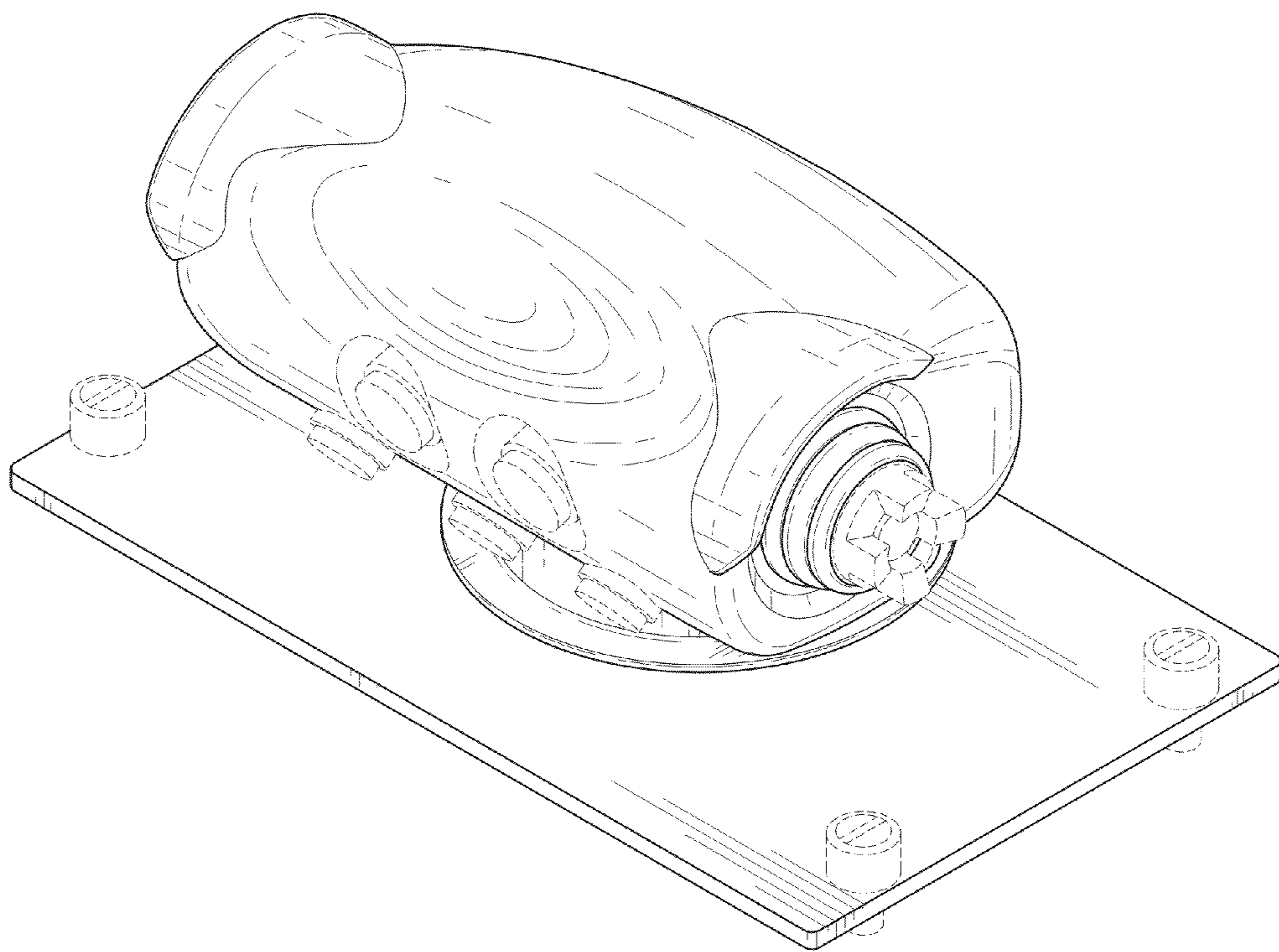
The ornamental design for a control grip device, as shown and described.

**DESCRIPTION**

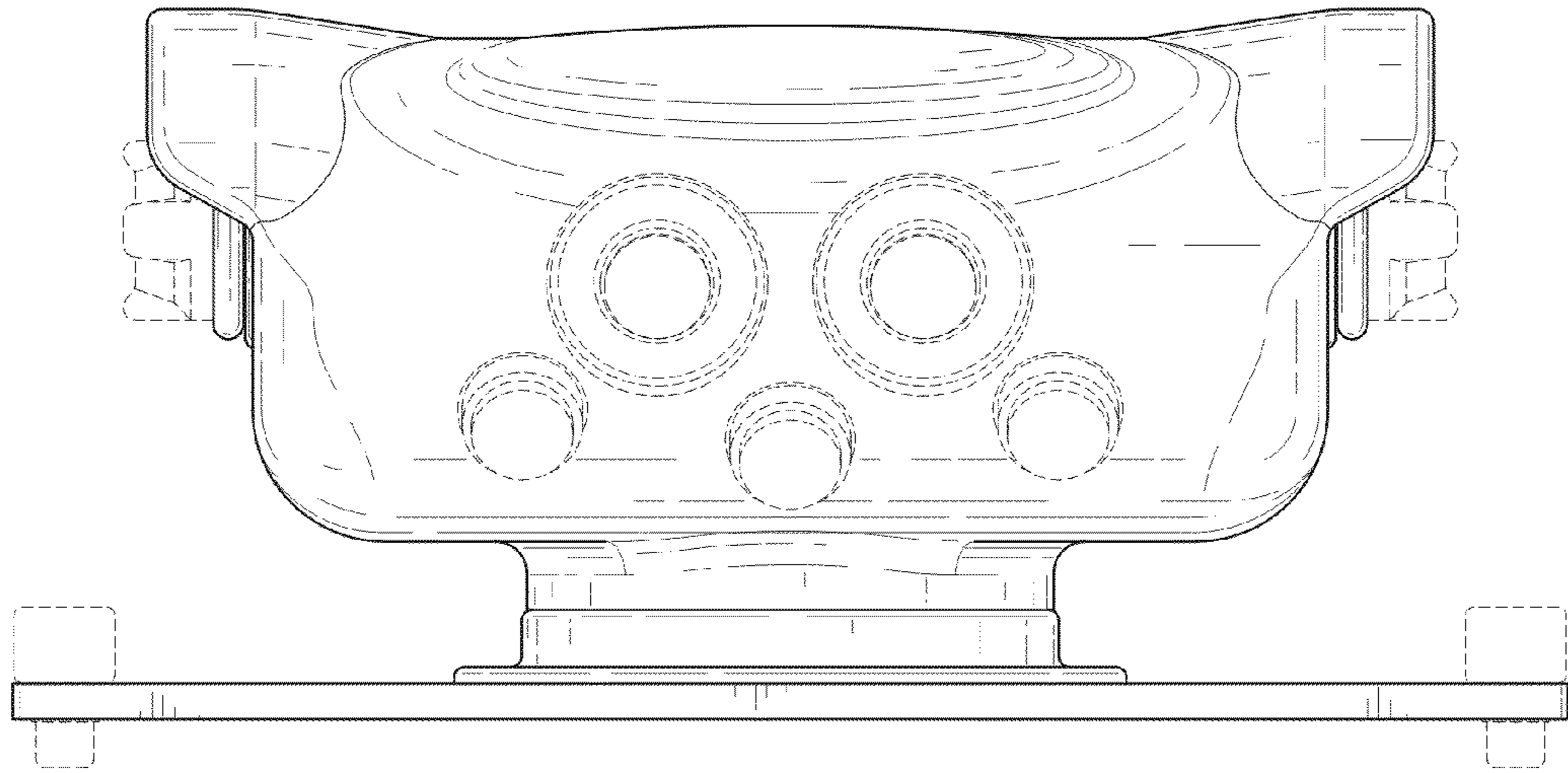
FIG. 1 is an isometric view of a control grip device showing my new design;  
FIG. 2 is a front elevation view thereof;  
FIG. 3 is a rear elevation view thereof;  
FIG. 4 is a right-side elevation view thereof;  
FIG. 5 is a left-side elevation view thereof;  
FIG. 6 is a top plan view thereof; and,  
FIG. 7 is a bottom plan view thereof.  
The broken lines shown in the drawings illustrate portions of the control grip device that forms no part of the claimed design.

**1 Claim, 4 Drawing Sheets**

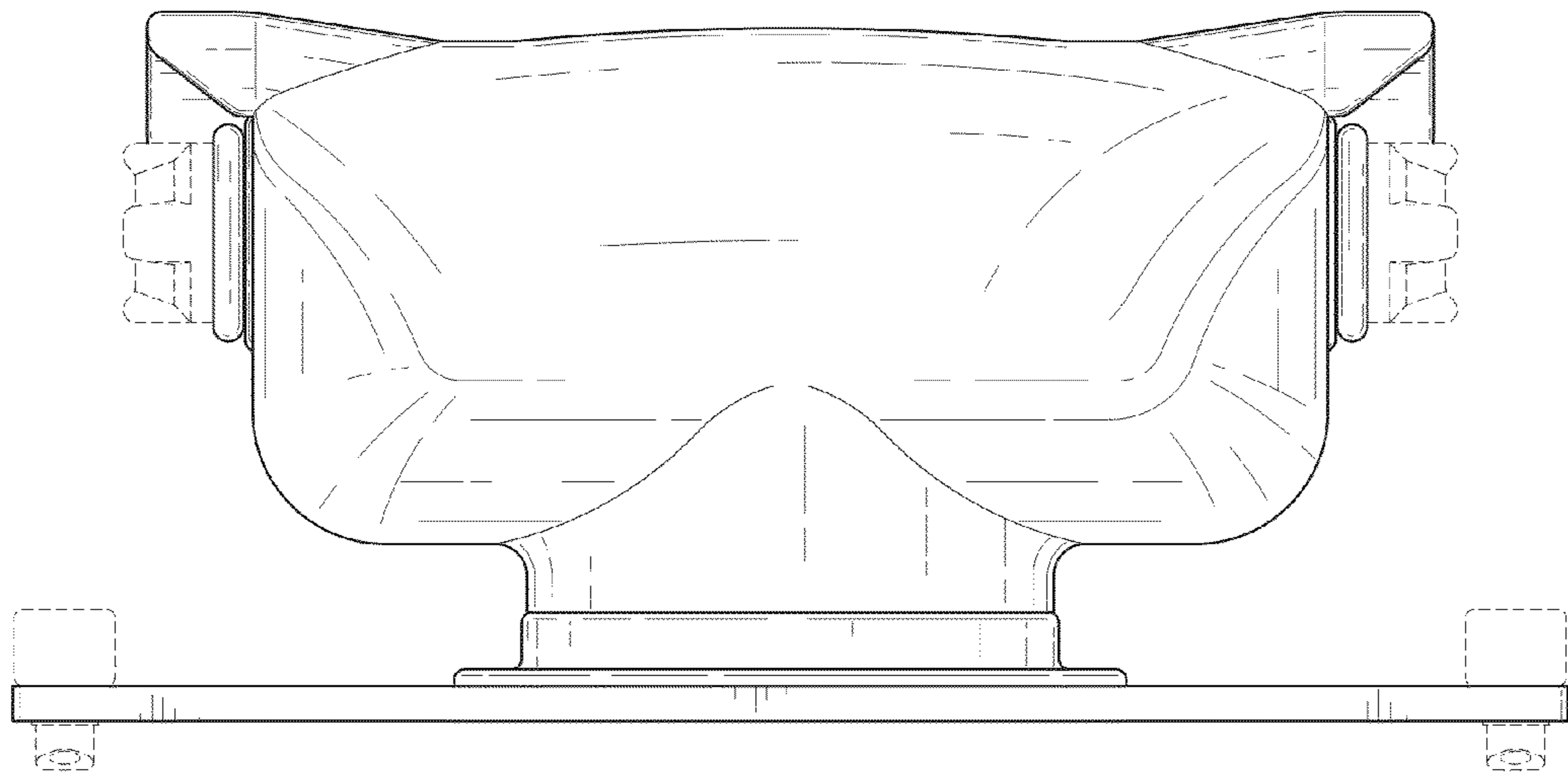




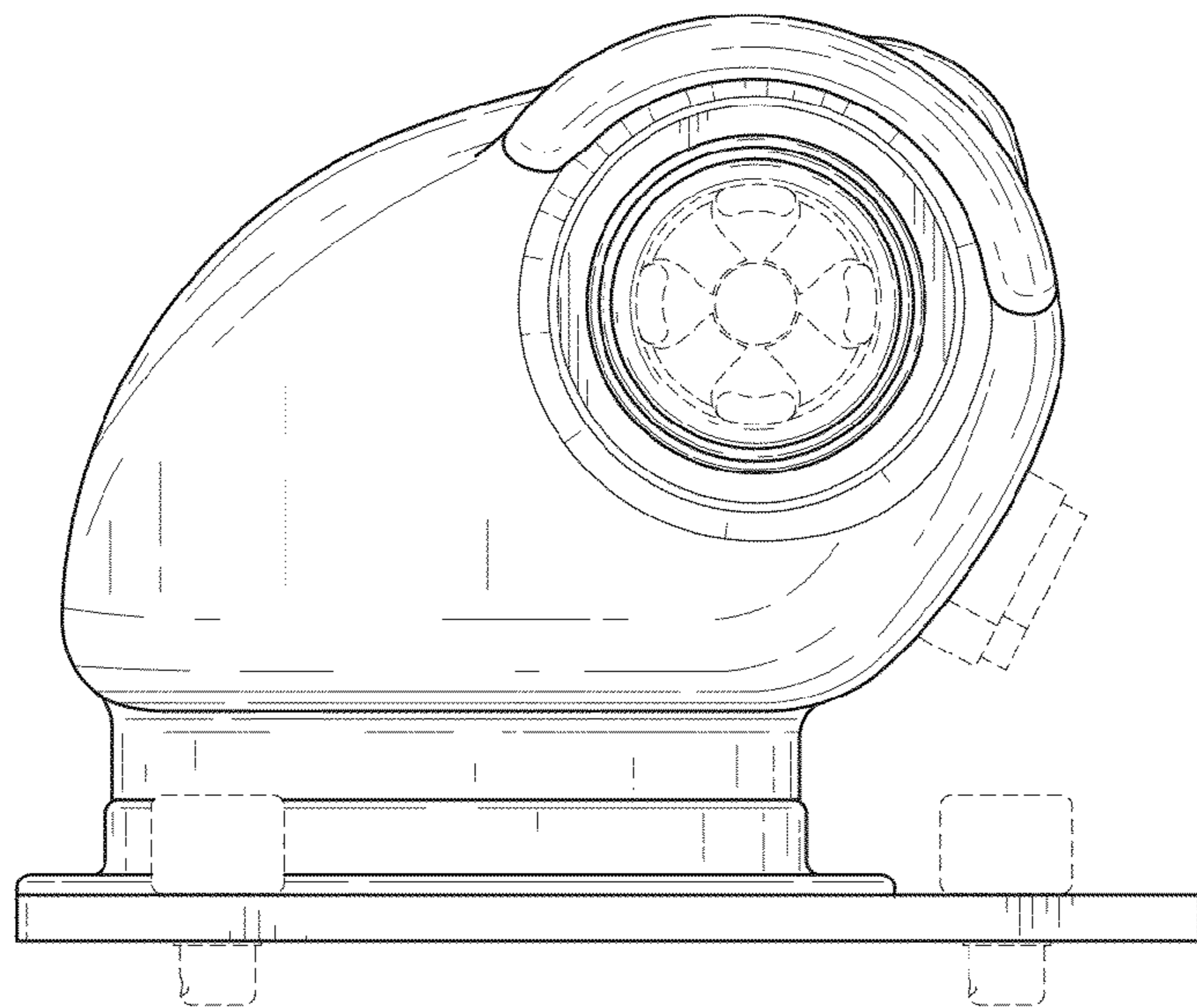
*Fig. 1*



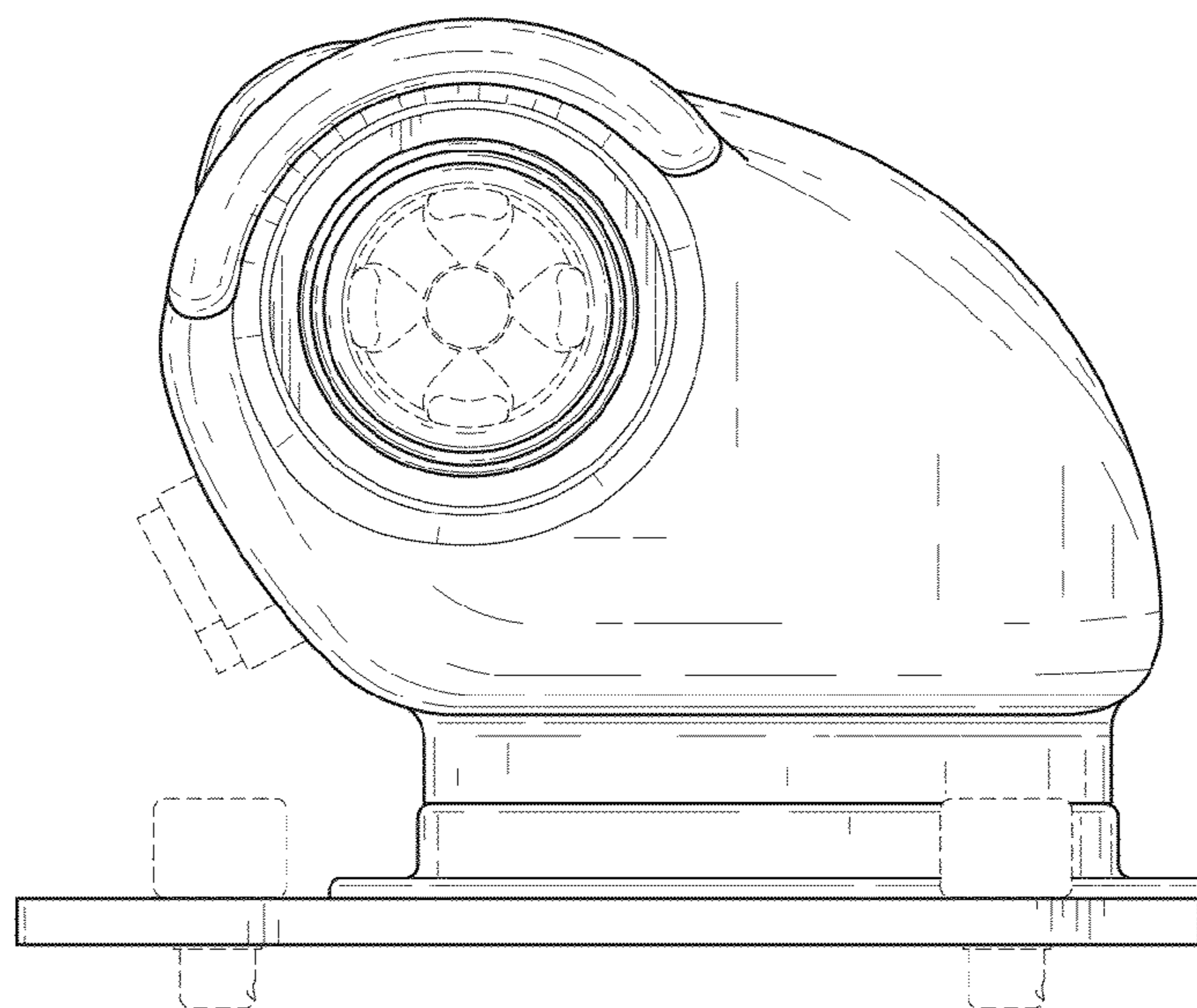
*Fig. 2*



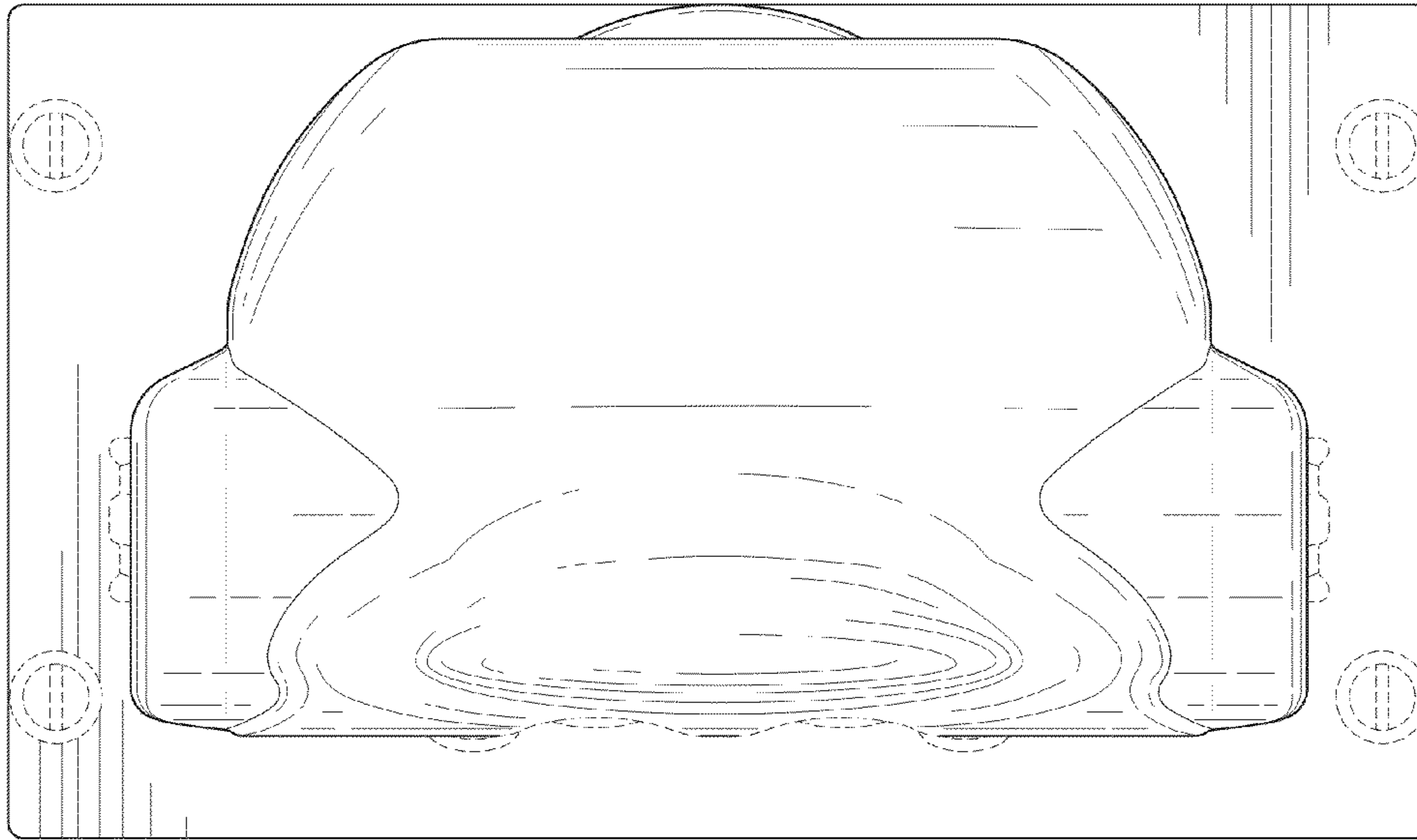
*Fig. 3*



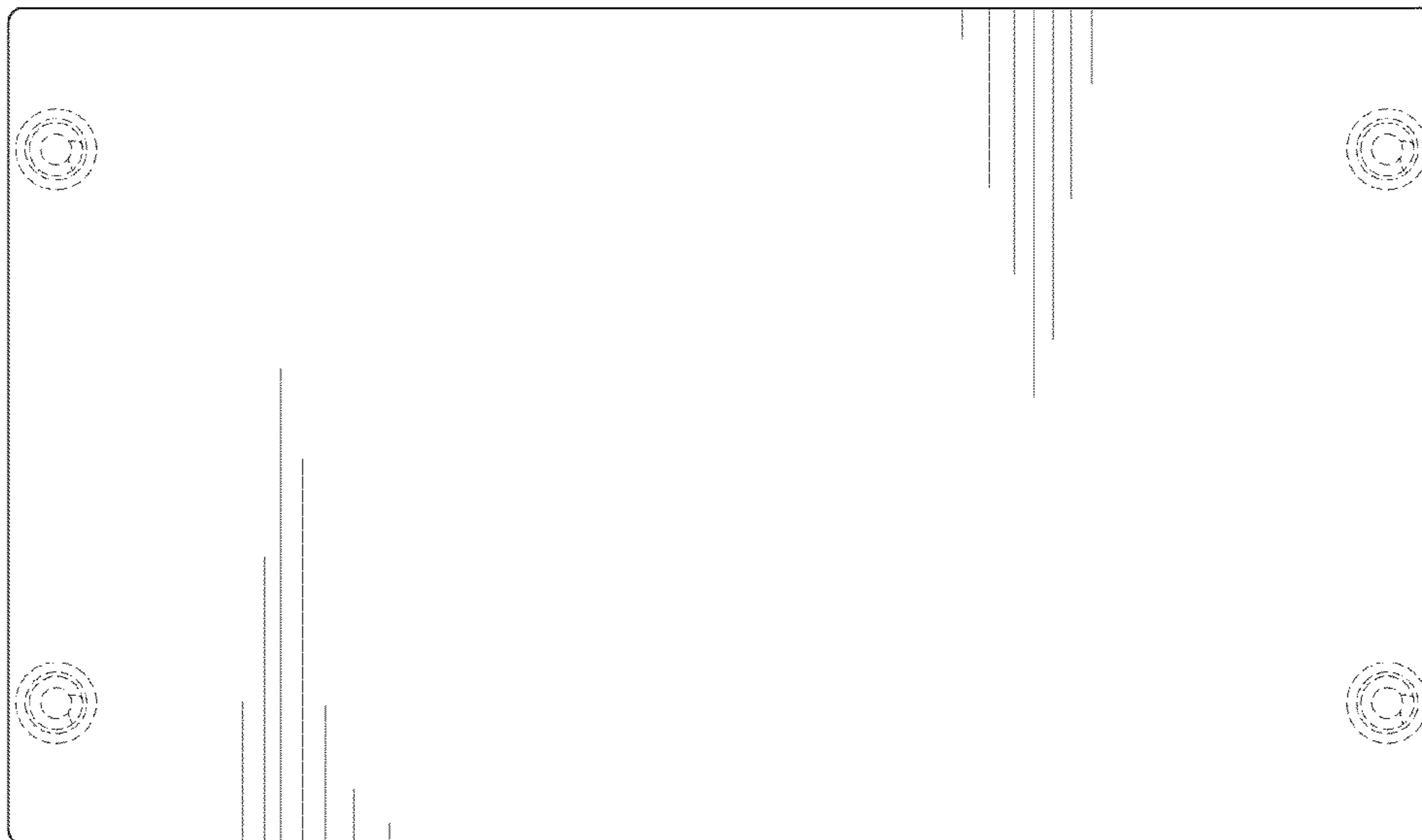
*Fig. 4*



*Fig. 5*



*Fig. 6*



*Fig. 7*