



US00D712801S

(12) **United States Design Patent**
Kobayashi

(10) **Patent No.:** **US D712,801 S**
(45) **Date of Patent:** **** Sep. 9, 2014**

(54) **FRONT BUMPER FOR AUTOMOBILE**

(71) Applicant: **Honda Motor Co., Ltd**, Tokyo (JP)

(72) Inventor: **Masaki Kobayashi**, Wako (JP)

(73) Assignee: **Honda Motor Co., Ltd**, Tokyo (JP)

(**) Term: **14 Years**

(21) Appl. No.: **29/458,961**

(22) Filed: **Jun. 25, 2013**

(30) **Foreign Application Priority Data**

Dec. 28, 2012 (JP) 2012-032039

(51) **LOC (10) Cl.** **12-16**

(52) **U.S. Cl.**
USPC **D12/169**

(58) **Field of Classification Search**
USPC D12/169, 196, 171, 216, 163, 86,
D12/90-92; 293/102, 113, 115, 117, 120;
296/180.1, 180.2

See application file for complete search history.

(56) **References Cited**

U.S. PATENT DOCUMENTS

D641,296 S * 7/2011 Schell et al. D12/169
D670,621 S * 11/2012 Frenzel et al. D12/164
D682,166 S * 5/2013 Minami D12/169
D700,114 S * 2/2014 Wada D12/169

OTHER PUBLICATIONS

Russian Office Action dated Jan. 28, 2014, issued in corresponding Russian Design Application No. 2013502359, (2 pages).

Japanese Design Registration No. 1444887, w/English translation of the bibliographic data, cited in Russian Office Action dated Jan. 28, 2014, issued in corresponding Russian Design Application No. 2013502359 (7 pages).

* cited by examiner

Primary Examiner — Melody Brown

(74) *Attorney, Agent, or Firm* — Westerman, Hattori, Daniels & Adrian, LLP

(57) **CLAIM**

The ornamental design for a front bumper for automobile, as shown and described.

DESCRIPTION

FIG. 1 is a perspective view from the front side of a front bumper for automobile.

FIG. 2 is a front elevation view thereof.

FIG. 3 is a left side elevation view thereof.

FIG. 4 is a right side elevation view thereof.

FIG. 5 is a top plan view thereof; and,

FIG. 6 is a bottom plan view thereof.

The portions of the front bumper shown in broken lines are for the purpose of showing environmental structure only and form no part of the claimed design.

1 Claim, 6 Drawing Sheets

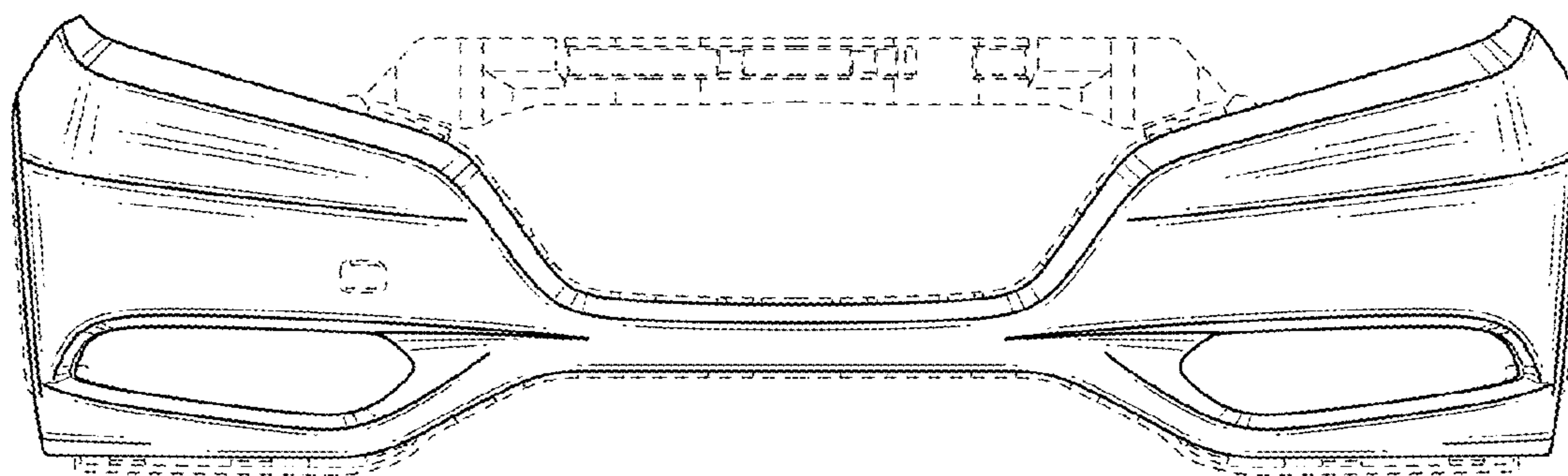


FIG. 1

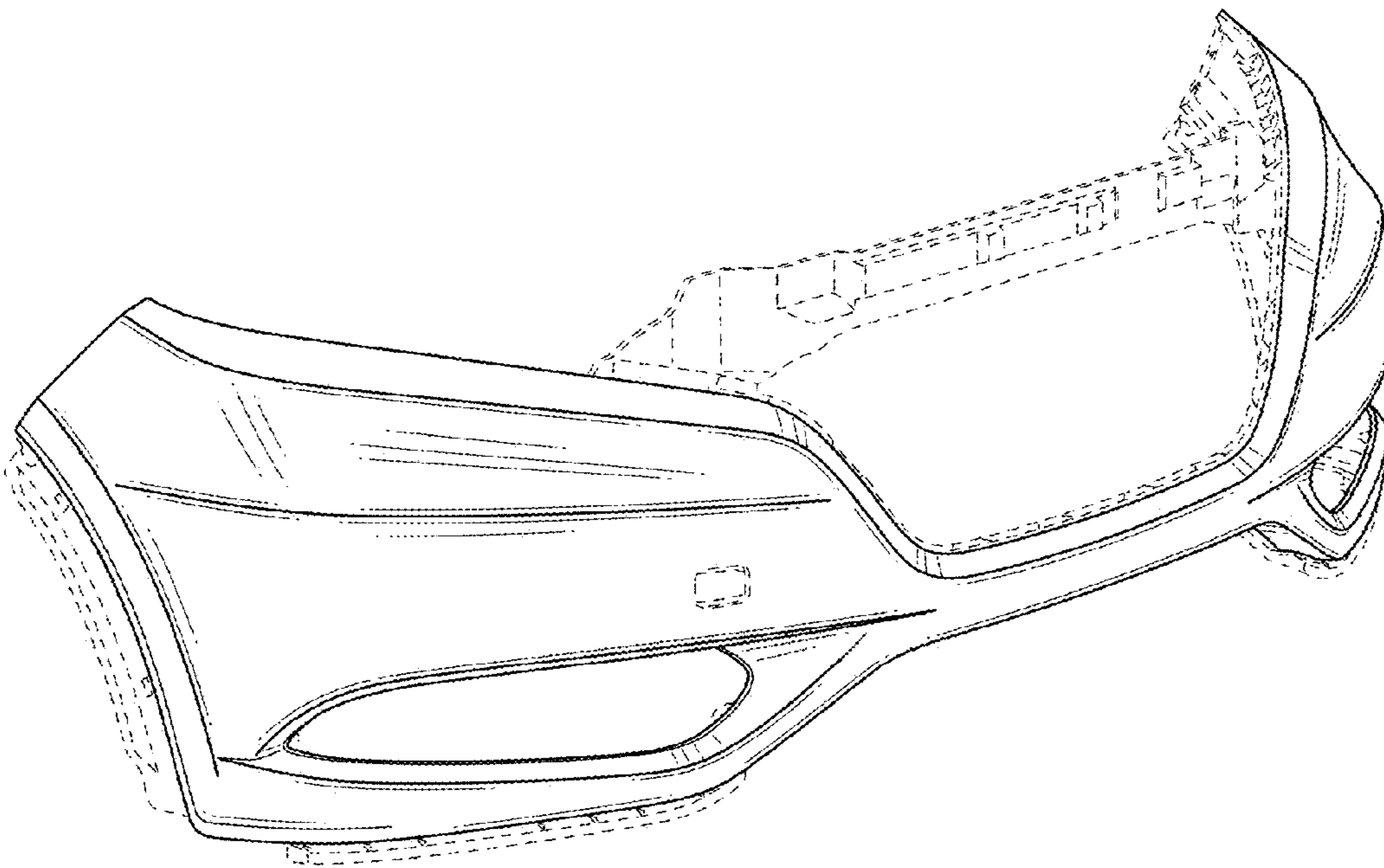


FIG. 2

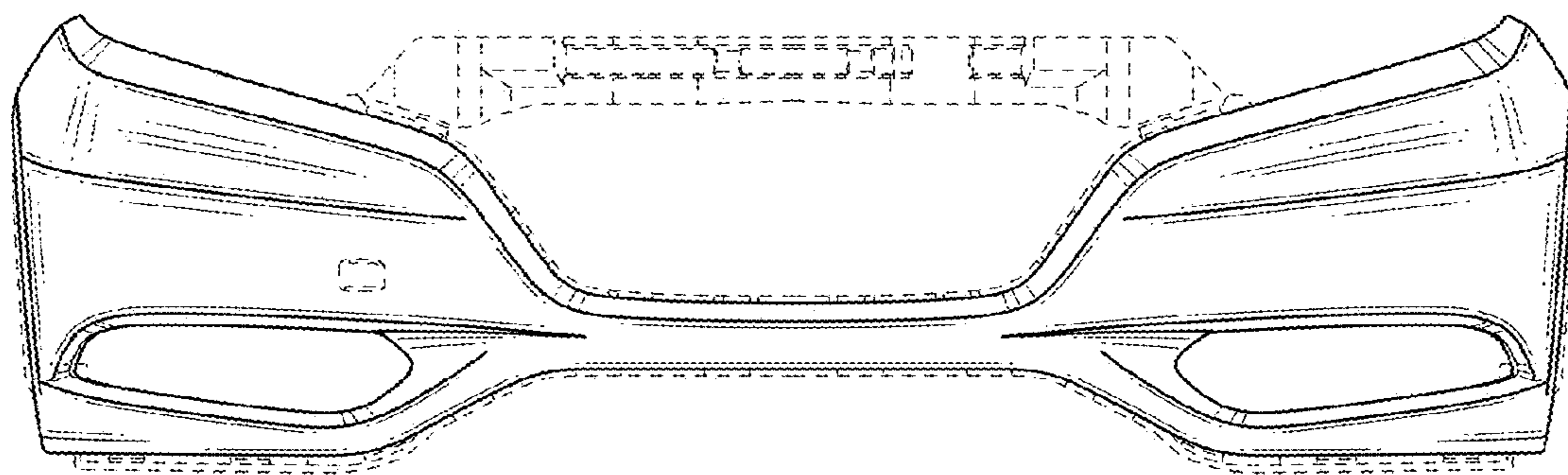


FIG. 3

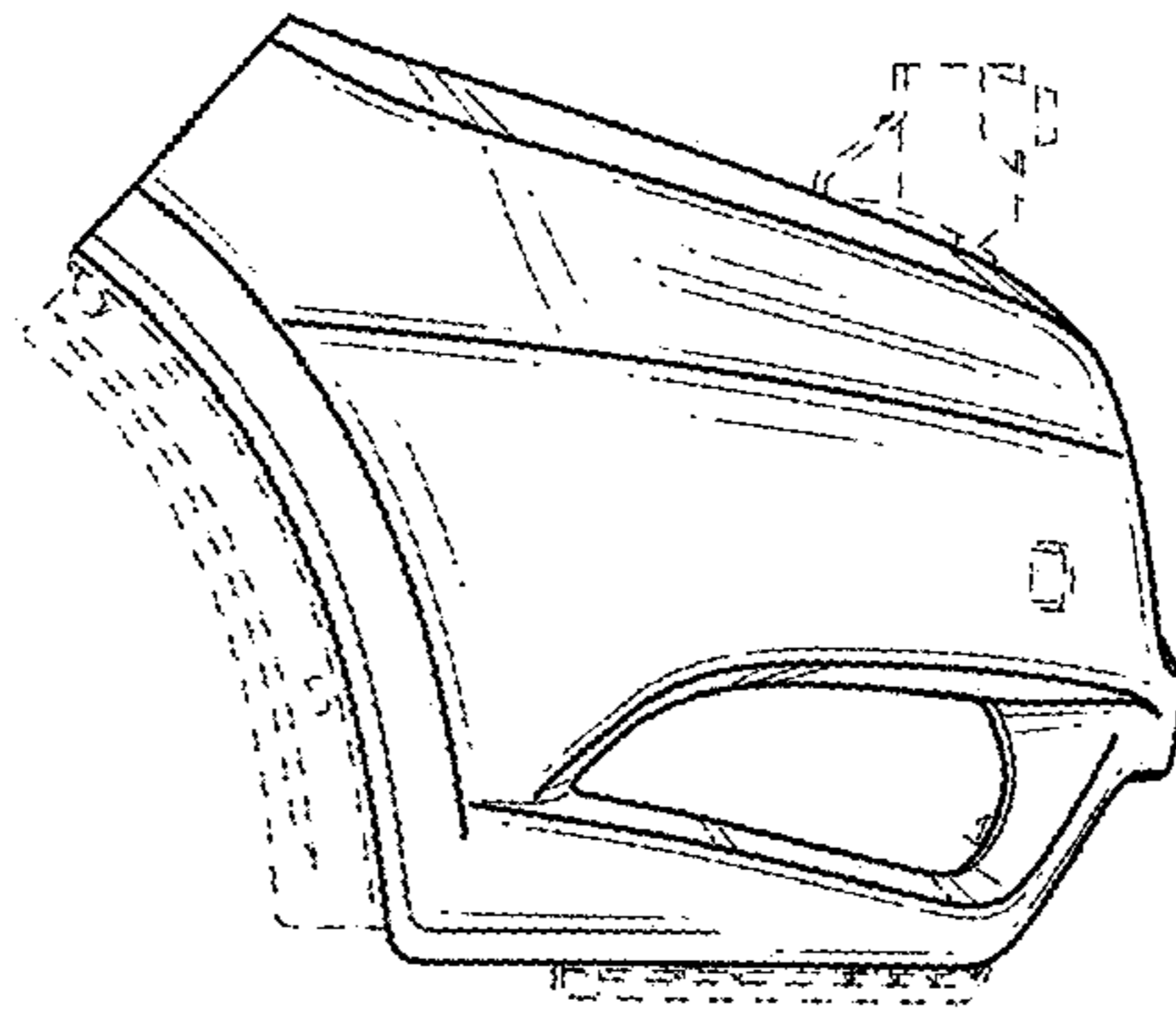


FIG. 4

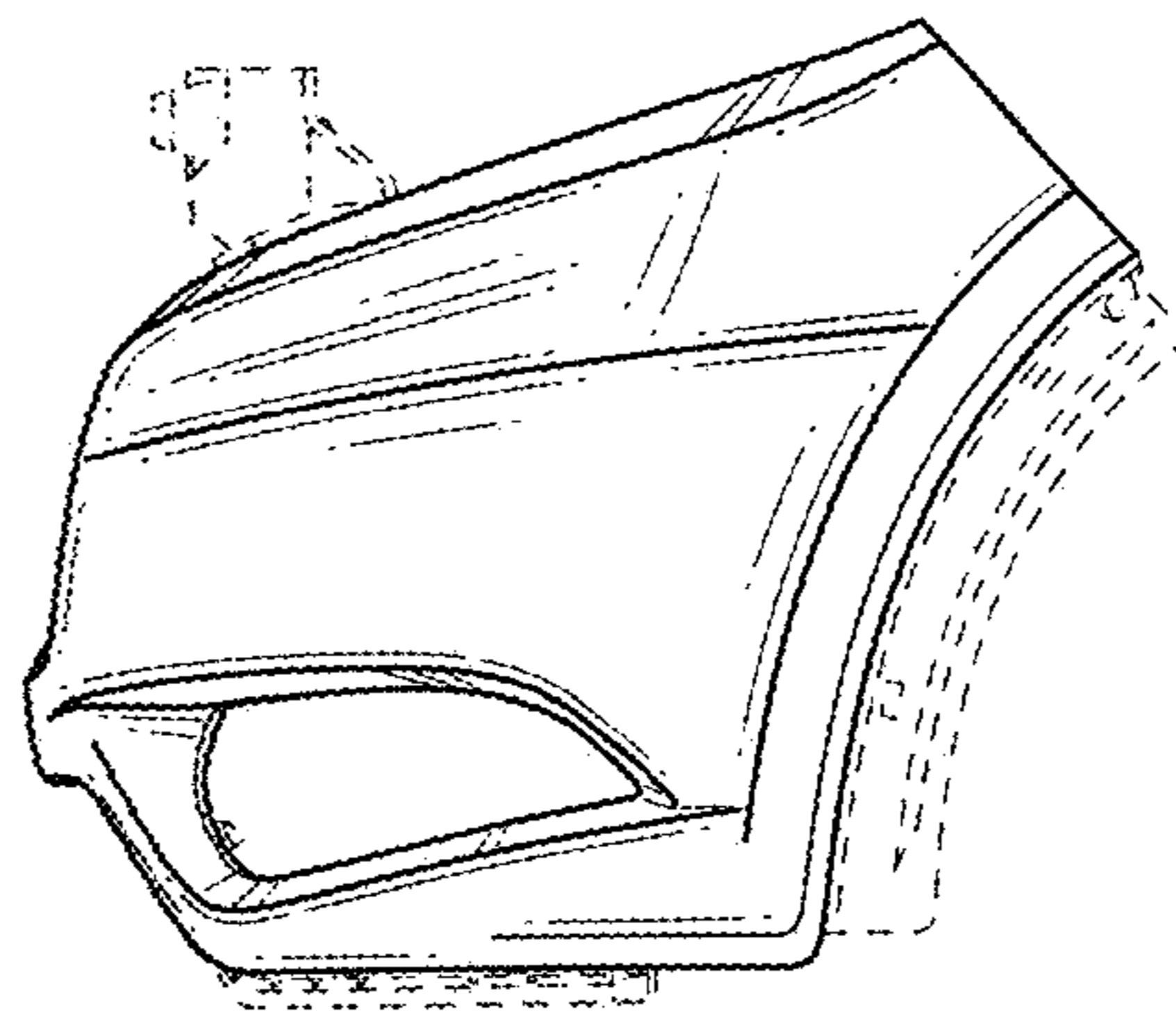


FIG. 5

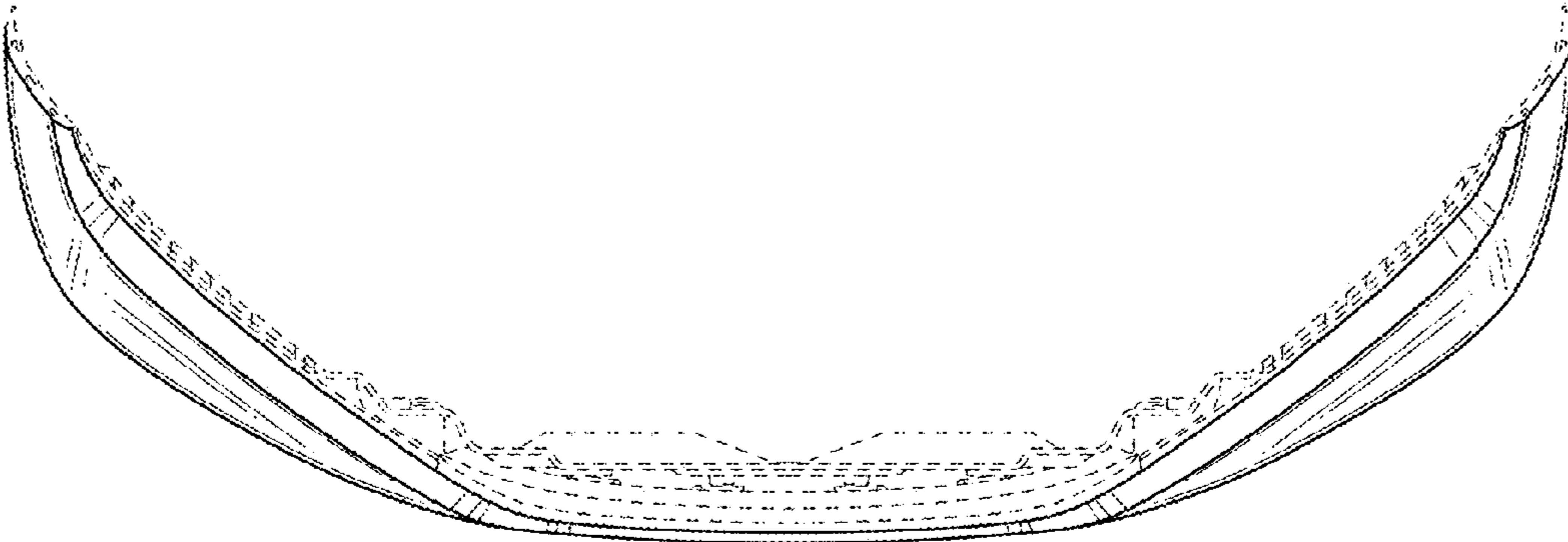


FIG. 6

