



US00D712796S

(12) **United States Design Patent**
Calkin

(10) **Patent No.:** **US D712,796 S**

(45) **Date of Patent:** **** Sep. 9, 2014**

(54) **RESCUE STRETCHER**

(71) Applicant: **Skedco, Inc.**, Tualatin, OR (US)

(72) Inventor: **Carston R. Calkin**, Tualatin, OR (US)

(73) Assignee: **Skedco, Inc.**, Tualatin, OR (US)

(**) Term: **14 Years**

(21) Appl. No.: **29/462,951**

(22) Filed: **Aug. 9, 2013**

(51) **LOC (10) Cl.** **12-12**

(52) **U.S. Cl.**
USPC **D12/128**

(58) **Field of Classification Search**
USPC D12/128-133; 280/18.1, 19, 47.131;
128/99.1; 5/625-627

See application file for complete search history.

(56) **References Cited**

U.S. PATENT DOCUMENTS

2,788,530	A	4/1952	Ferguson	
3,158,875	A	12/1964	Fletcher	
4,283,068	A *	8/1981	Keyser	280/19
4,369,982	A *	1/1983	Hein et al.	280/47.131
D329,216	S *	9/1992	Beeley et al.	D12/128
D332,930	S *	2/1993	Clark et al.	D12/128
5,274,864	A *	1/1994	Morgan	5/627
5,560,059	A *	10/1996	McQueen	5/625
5,568,662	A *	10/1996	Gougelet	5/625
D379,784	S *	6/1997	Muhanna et al.	D12/128
5,729,850	A	3/1998	Eskeli	
5,819,746	A *	10/1998	Walton	128/869
D413,553	S *	9/1999	Ferko, III	D12/128
D421,413	S *	3/2000	Calkin	D12/128

D488,107	S *	4/2004	Saunier	D12/128
D506,710	S *	6/2005	Hurtado	D12/133
7,100,226	B1 *	9/2006	Walton	5/626
D589,849	S *	4/2009	Powell et al.	D12/128
D608,253	S *	1/2010	Giduck	D12/128
7,699,324	B2 *	4/2010	Walkingshaw et al.	280/18.1
7,810,820	B2	10/2010	Wolf et al.	
D633,829	S *	3/2011	Chang	D12/128
8,172,238	B2 *	5/2012	Wolf et al.	280/19
2004/0088794	A1	5/2004	Calkin	
2007/0136950	A1 *	6/2007	Zuercher	5/627

* cited by examiner

Primary Examiner — Ian Simmons

Assistant Examiner — Charles Hanson

(74) *Attorney, Agent, or Firm* — Stoel Rives LLP

(57) **CLAIM**

I claim the ornamental design for a rescue stretcher, as shown and described.

DESCRIPTION

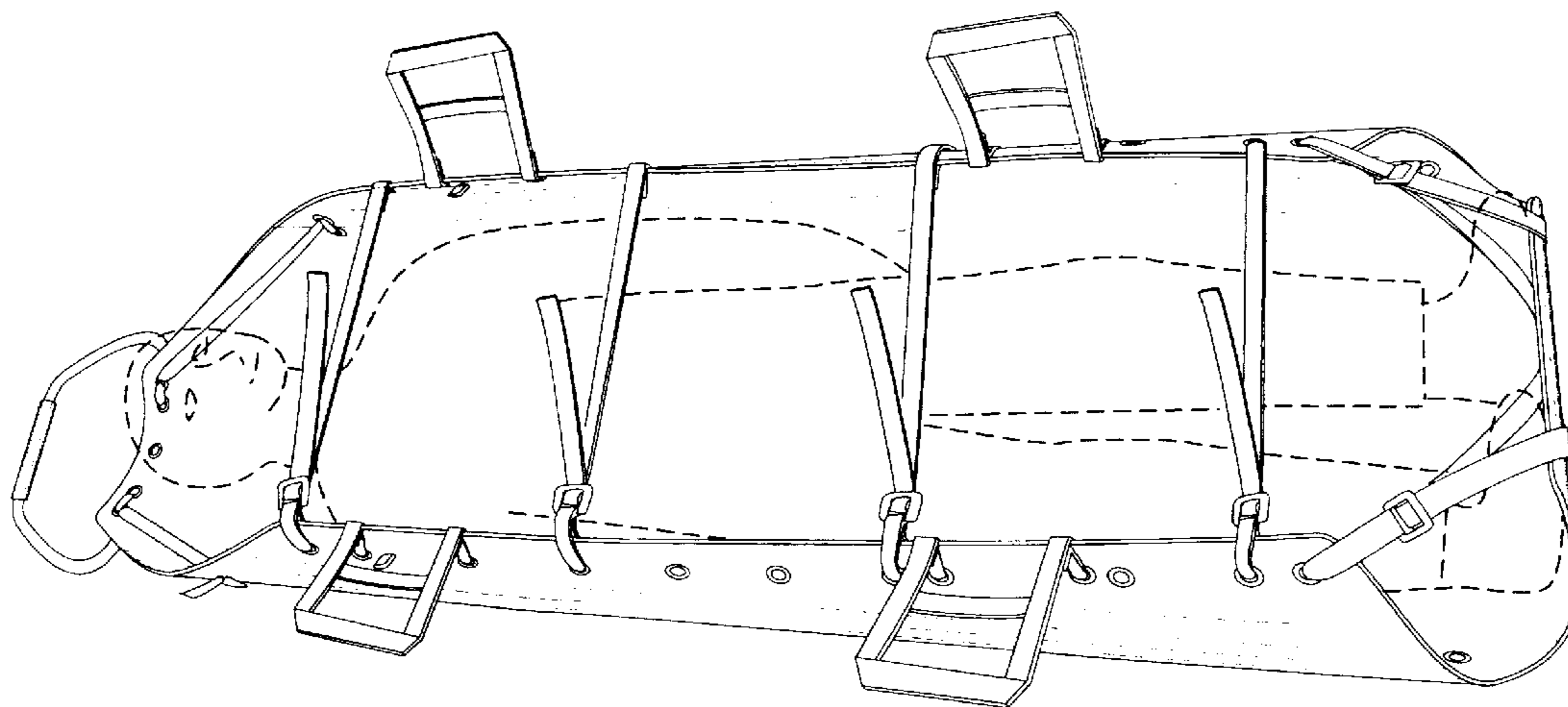
FIG. 1 is a top side perspective view of a rescue stretcher in a tensioned and operative configuration.

FIG. 2 is a side elevation view of the rescue stretcher of FIG. 1

FIG. 3 is front perspective view of the rescue stretcher of FIG. 1 in a flat and relaxed configuration with a number of securement straps shown in a latched configuration; and,

FIG. 4 is a top plan view of the rescue stretcher of FIG. 1 in a flat and relaxed configuration with the securement straps shown removed. The bottom view is a mirror image thereof. In FIGS. 1 and 2, the dashed lines showing a person secured in the rescue stretcher illustrate an environment that forms no part of the claimed design.

1 Claim, 3 Drawing Sheets



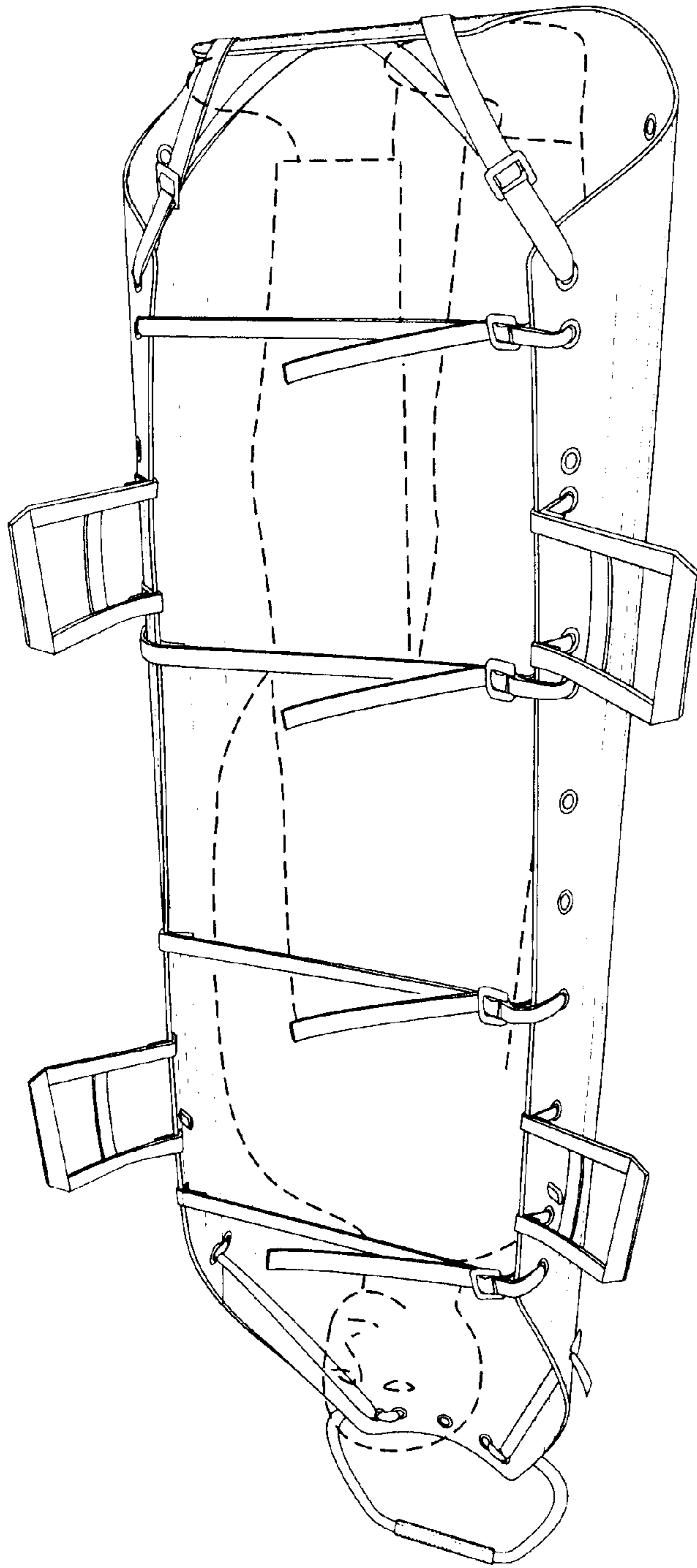


FIG. 1

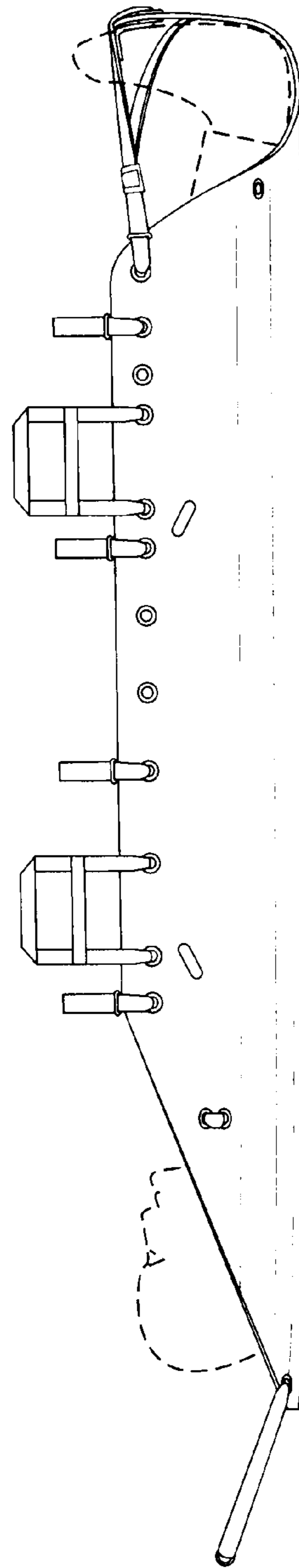


FIG. 2

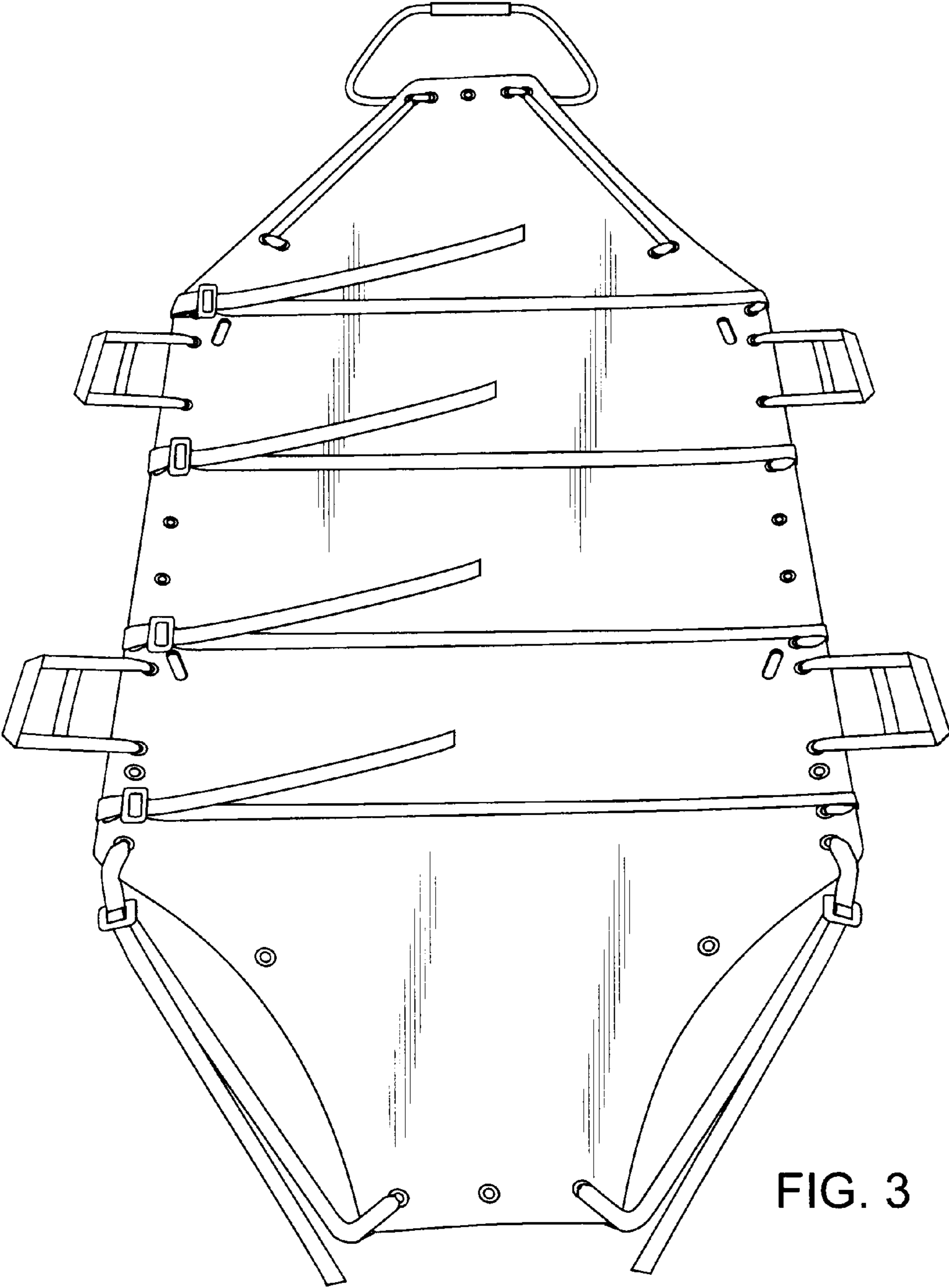


FIG. 3

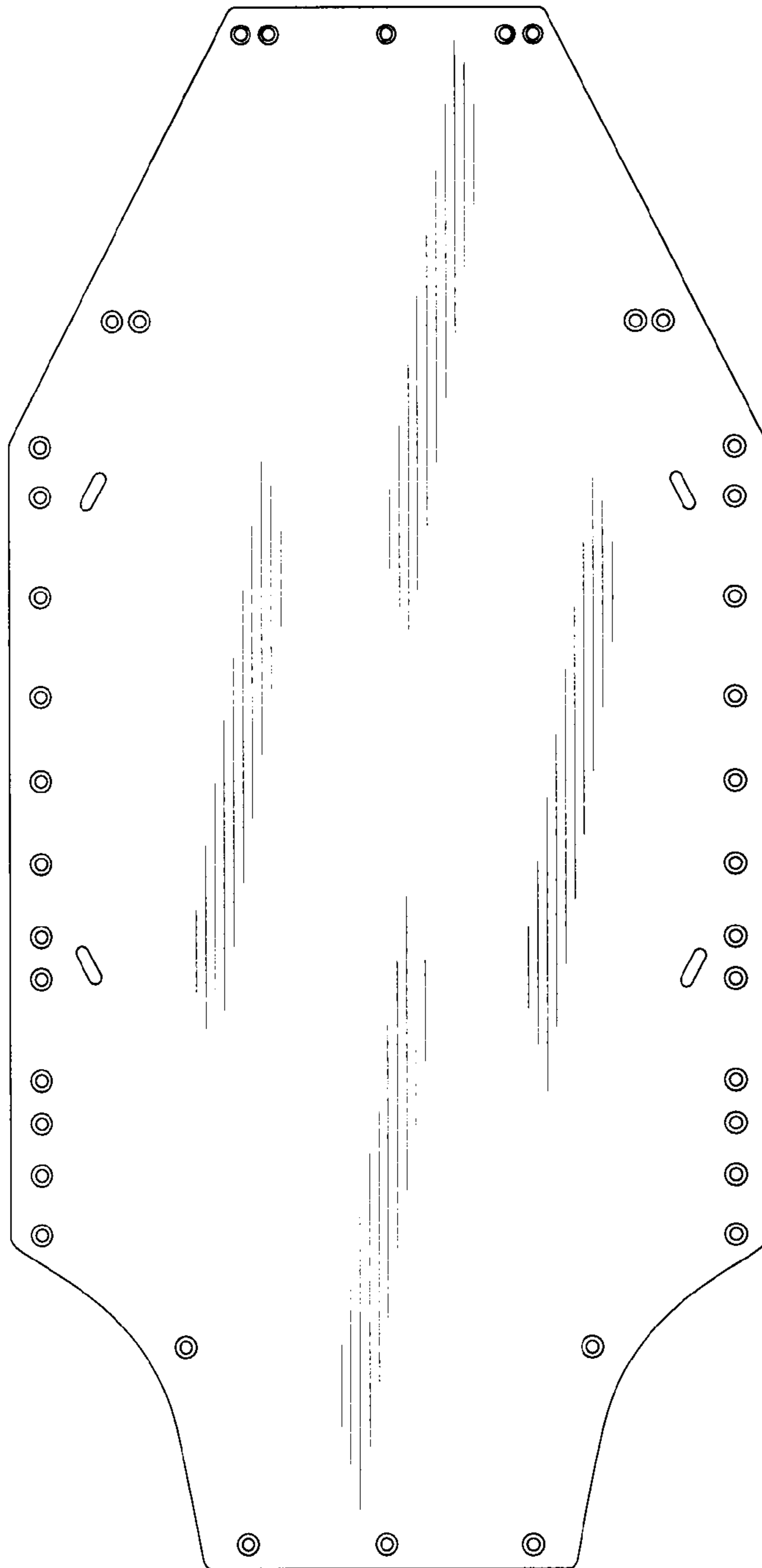


FIG. 4