



US00D712795S

(12) **United States Design Patent**
Tokumura et al.

(10) **Patent No.:** **US D712,795 S**
(45) **Date of Patent:** **** Sep. 9, 2014**

(54) **FRONT SIDE COWL FOR A MOTORCYCLE**

(71) Applicant: **Honda Motor Co., Ltd.**, Tokyo (JP)

(72) Inventors: **Daisuke Tokumura**, Wako (JP); **Akira Omae**, Wako (JP)

(73) Assignee: **Honda Motor Co., Ltd.**, Tokyo (JP)

(**) Term: **14 Years**

(21) Appl. No.: **29/480,132**

(22) Filed: **Jan. 23, 2014**

(30) **Foreign Application Priority Data**

Jul. 31, 2013 (JP) 2013-017458

(51) **LOC (10) Cl.** **12-11**

(52) **U.S. Cl.**
USPC **D12/114**

(58) **Field of Classification Search**
USPC 280/304.3, 835, 288.4, 291, 166, 304.4,
280/770, 850; D12/126, 186, 114, 218,
D12/182, 110, 196, 402, 117, 107, 125, 432,
D12/538; D6/354; 248/284.1, 354.3;
180/309, 68.1, 229, 219, 68.4, 288,
180/230, 228; 297/195.1, 215.12, 383,
297/423.42; 224/413; 296/78.1, 66, 37.12,
296/75; 403/4, 234; 123/195 A; 362/473;
182/91; 293/105; 23/184.21, 184.36,
23/198 E; 192/48.9, 83

See application file for complete search history.

(56) **References Cited**

U.S. PATENT DOCUMENTS

D298,114 S * 10/1988 Abe et al. D12/110
D321,849 S * 11/1991 Abe et al. D12/110
D332,588 S * 1/1993 Kohama et al. D12/110
D378,204 S * 2/1997 Heinrich et al. D12/110

D437,262 S * 2/2001 Robb et al. D12/110
D531,089 S * 10/2006 Heinrich et al. D12/110
D574,299 S * 8/2008 Kouchi et al. D12/110
D582,316 S * 12/2008 Stenegard et al. D12/110
D582,822 S * 12/2008 Watanabe et al. D12/186
D584,662 S * 1/2009 Ichihara D12/126
D610,045 S * 2/2010 Lambri D12/110
D639,218 S * 6/2011 Katagiri et al. D12/186
D656,069 S * 3/2012 Itaya et al. D12/110
D656,867 S * 4/2012 Uemoto et al. D12/110
D669,397 S * 10/2012 Isokari D12/110
D669,822 S * 10/2012 Yamada et al. D12/110

(Continued)

OTHER PUBLICATIONS

Gold Wing, posted at Honda, posted date not given, "2014 Gold Wing", [online], [site visited Mar. 28, 2014]. Available from Internet, <URL: <http://powersports.honda.com/2014/gold-wing.aspx>.*

(Continued)

Primary Examiner — Eric Goodman

Assistant Examiner — Ryan Harvey

(74) *Attorney, Agent, or Firm* — Westerman, Hattori, Daniels & Adrian, LLP

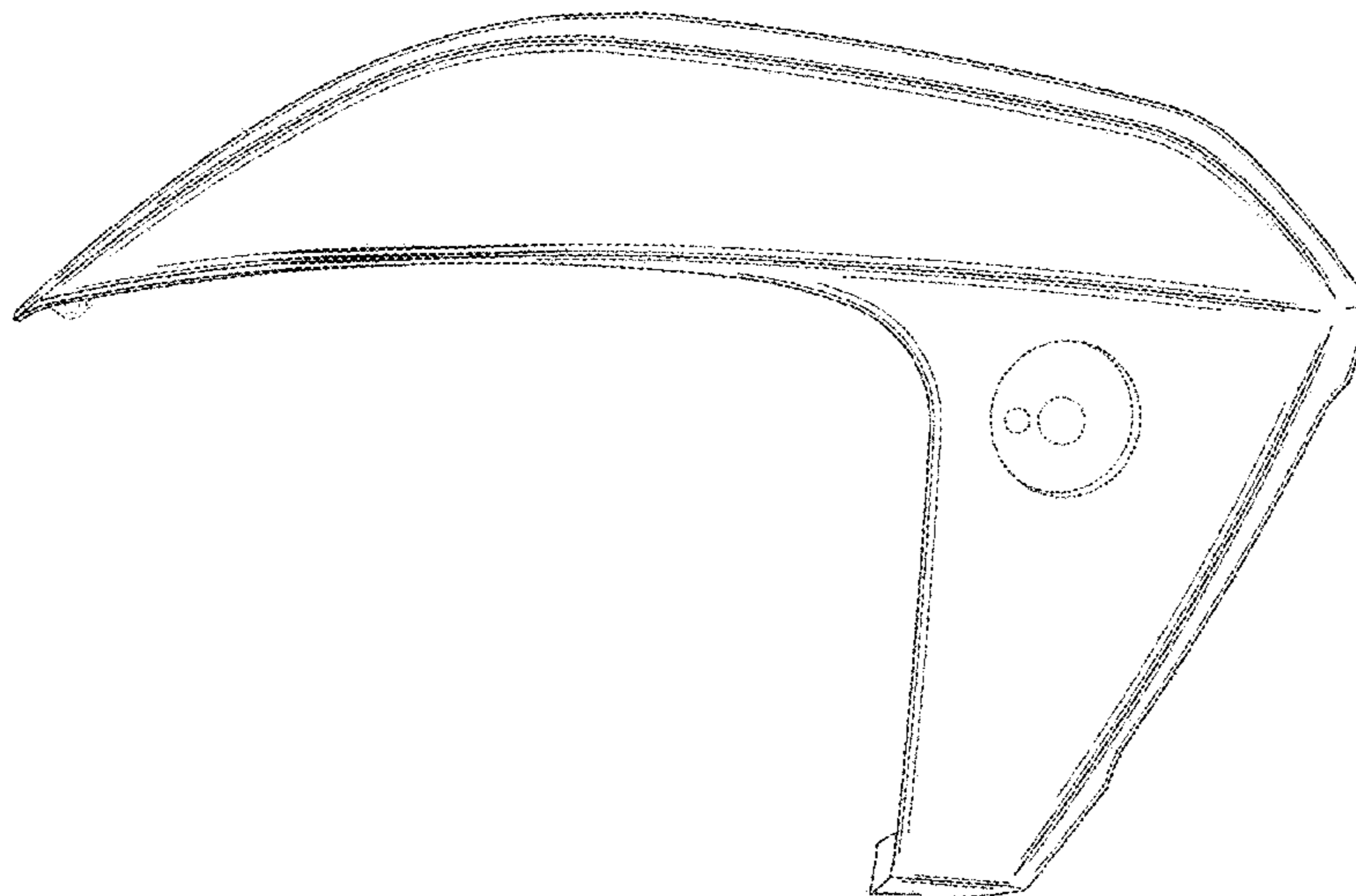
(57) **CLAIM**

The ornamental design for, a front side cowl for a motorcycle, as shown and described.

DESCRIPTION

FIG. 1 is a front perspective view of a front side cowl for a motorcycle, showing our new design; FIG. 2 is a front elevation view thereof; FIG. 3 is a top plan view thereof; FIG. 4 is a right side elevation view thereof; and, FIG. 5 is a left side elevation view thereof. The broken lines illustrate portions of the article that form no part of the claimed design.

1 Claim, 4 Drawing Sheets



(56)

References Cited

U.S. PATENT DOCUMENTS

D677,602	S	*	3/2013	Petersson et al.	D12/110
D689,404	S	*	9/2013	Katagiri et al.	D12/110
D689,800	S	*	9/2013	Futamata et al.	D12/126
D690,627	S	*	10/2013	Tsukui et al.	D12/126
D691,069	S	*	10/2013	Tsukui et al.	D12/110
D692,355	S	*	10/2013	Tsuji et al.	D12/110
2013/0257115	A1	*	10/2013	Kishi et al.	297/195.1
2014/0054342	A1	*	2/2014	Hojo et al.	224/413

OTHER PUBLICATIONS

Gold Wing Valkyrie, posted at Honda, posted date not given, "2014 Gold Wing Valkyrie", [online], [site visited Mar. 28, 2014]. Available from Internet, <URL: <http://powersports.honda.com/2014/gold-wing- Valkyrie.aspx>.*

Gold Wing F6B, posted at Honda, posted date not given, "2014 Gold Wing F6B", [online], [site visited Mar. 28, 2014]. Available from Internet, <URL: <http://powersports.honda.com/touring/2014/gold-wing-f6b.aspx>.*

* cited by examiner

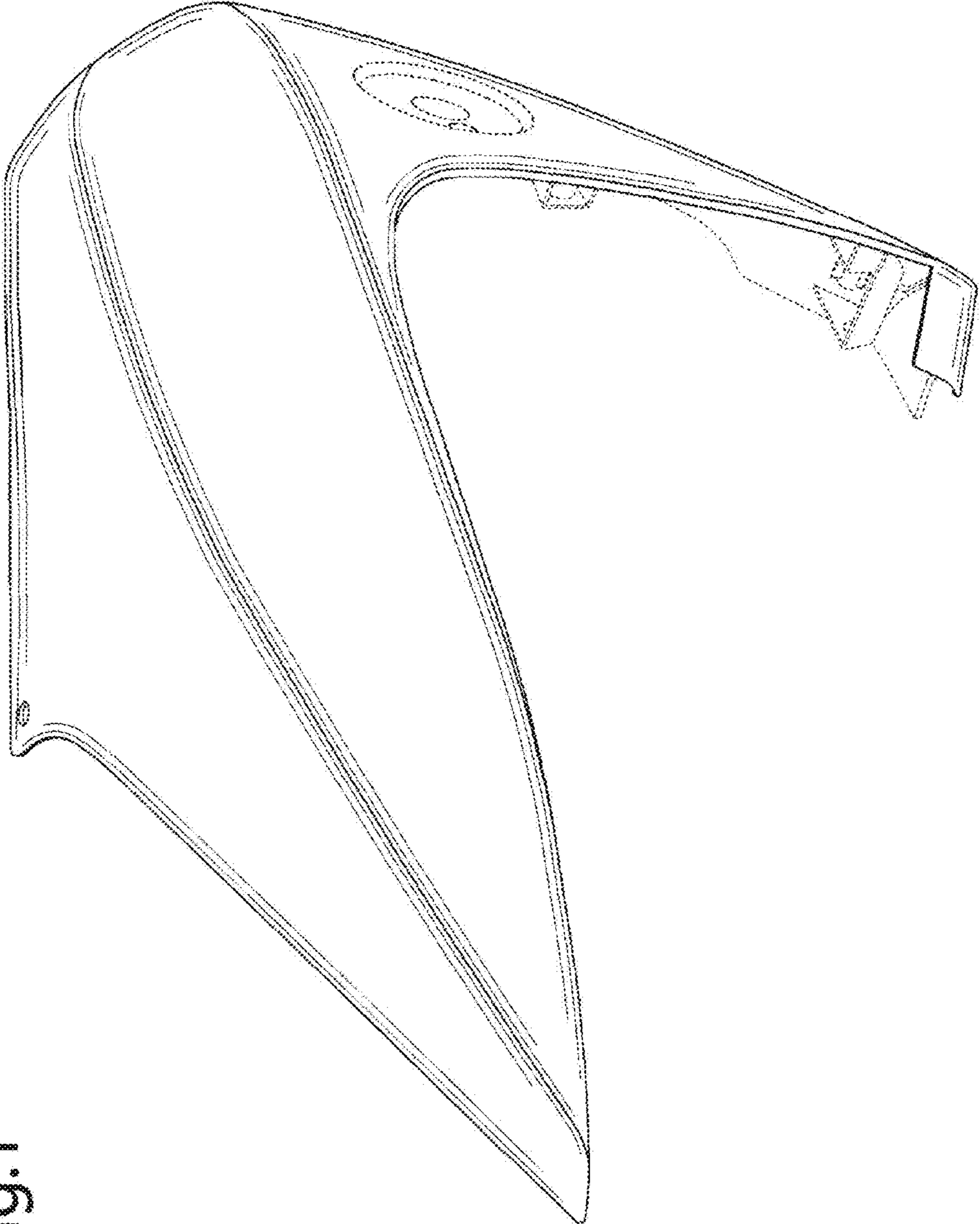


Fig.1

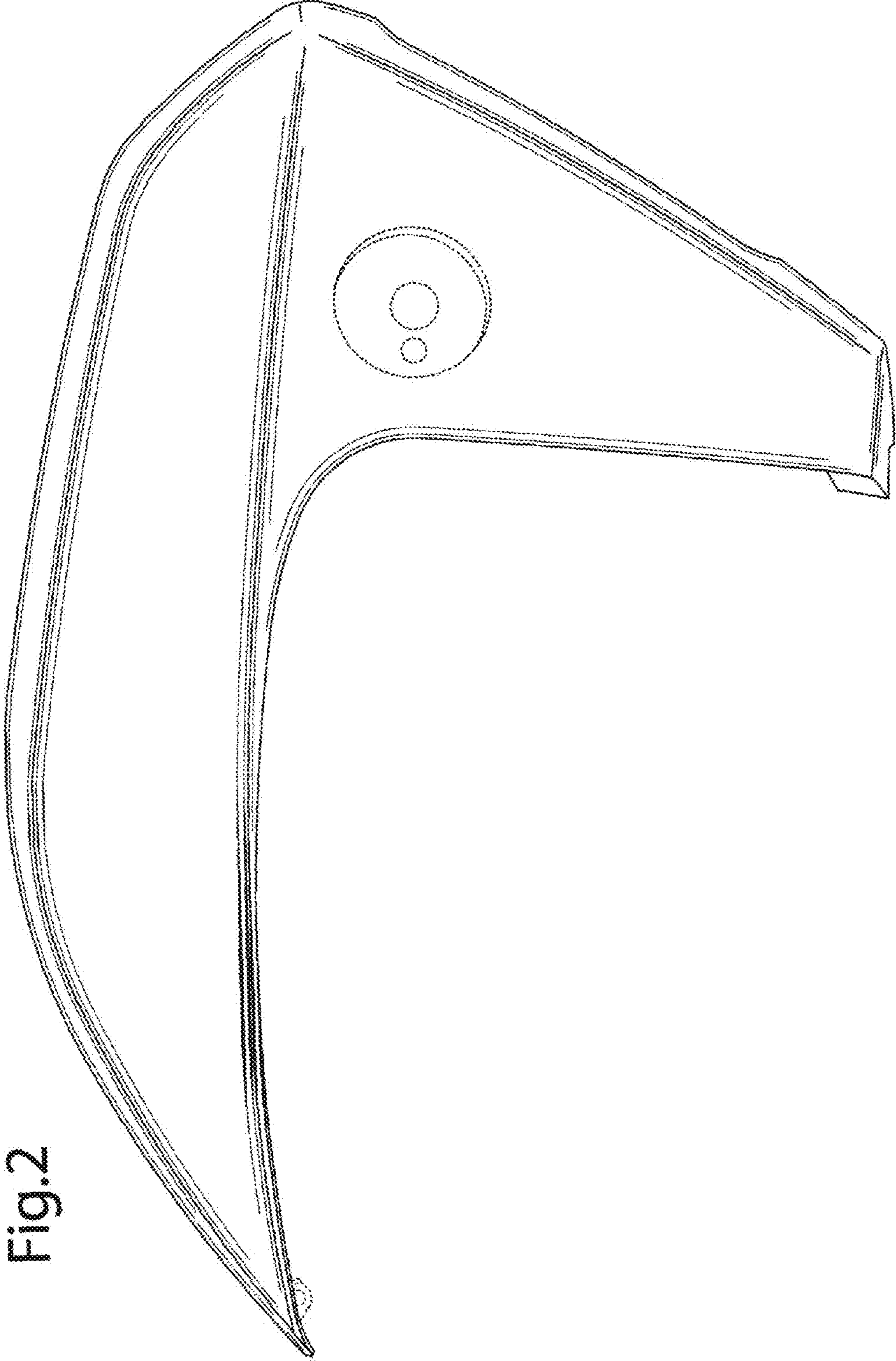


Fig.2

Fig.3

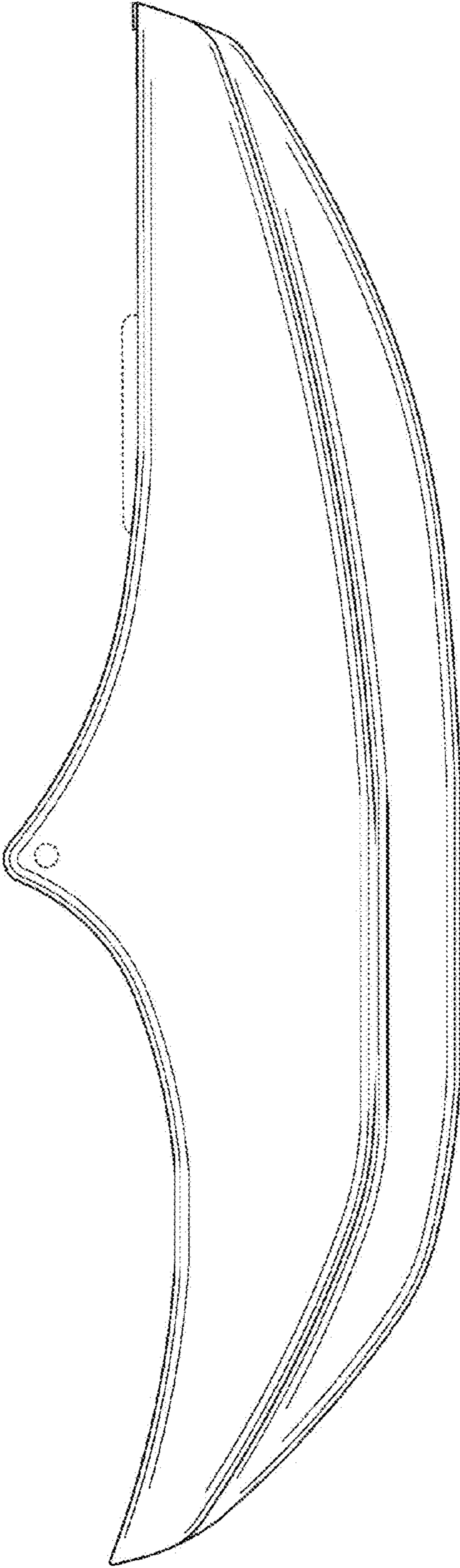


Fig.5

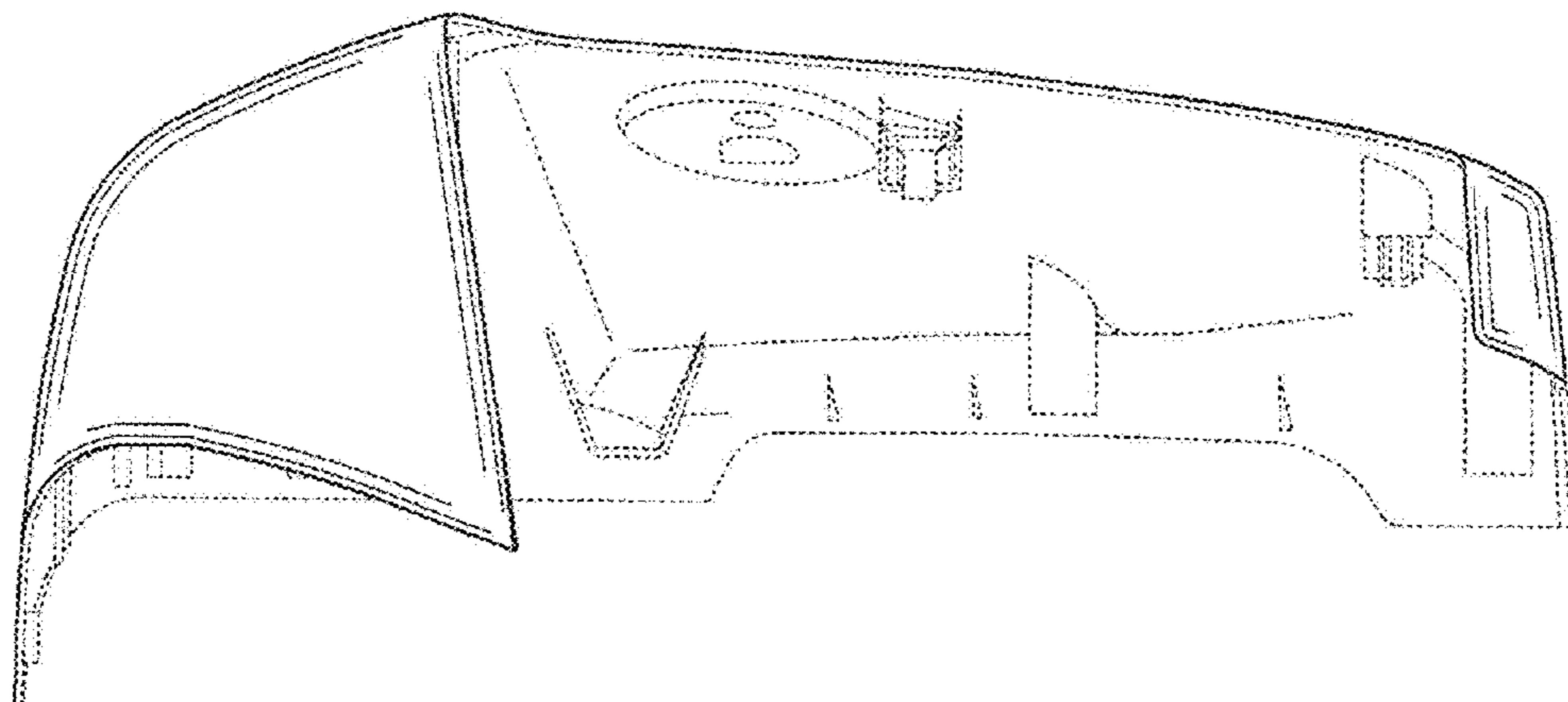


Fig.4

