



US00D712793S

(12) **United States Design Patent**  
**Kohama et al.**

(10) **Patent No.:** **US D712,793 S**  
(45) **Date of Patent:** **\*\* Sep. 9, 2014**

(54) **SIDE COVER FOR A MOTORCYCLE**

(71) Applicant: **Honda Motor Co., Ltd.**, Tokyo (JP)

(72) Inventors: **Mitsuyoshi Kohama**, Wako (JP);  
**Hirotsugu Ueno**, Wako (JP)

(73) Assignee: **Honda Motor Co., Ltd.**, Tokyo (JP)

(\*\*) Term: **14 Years**

(21) Appl. No.: **29/462,136**

(22) Filed: **Jul. 31, 2013**

(30) **Foreign Application Priority Data**

Jul. 25, 2013 (JP) ..... 2013-016972

(51) **LOC (10) Cl.** ..... **12-11**

(52) **U.S. Cl.**  
USPC ..... **D12/114**

(58) **Field of Classification Search**

USPC ..... 280/304.3, 835, 288.4, 291, 166, 304.4,  
280/770, 850; D12/126, 186, 114, 218,  
D12/182, 110, 196, 402, 117, 107, 125, 432,  
D12/538; D6/354; 248/284.1, 354.3;  
180/309, 68.1, 229, 219, 68.4, 288,  
180/230, 228; 297/195.1, 215.12, 383,  
297/423.42; 224/413; 296/78.1, 66, 37.12,  
296/75; 403/4, 234; 123/195 A; 362/473;  
182/91; 293/105; 23/184.21, 184.36,  
23/198 E; 192/48.9, 83

See application file for complete search history.

(56) **References Cited**

**U.S. PATENT DOCUMENTS**

D272,729 S \* 2/1984 Stahel ..... D12/126  
D274,053 S \* 5/1984 Stahel ..... D12/126

D300,418 S \* 3/1989 Yamada et al. .... D12/114  
D313,207 S \* 12/1990 Yamada et al. .... D12/126  
D522,415 S \* 6/2006 Tanaka et al. .... D12/126  
D557,181 S \* 12/2007 Xu ..... D12/126  
D584,662 S \* 1/2009 Ichihara ..... D12/126  
D608,260 S \* 1/2010 Toriyama et al. .... D12/186  
D629,348 S \* 12/2010 Nishimoto et al. .... D12/218  
D639,218 S \* 6/2011 Katagiri et al. .... D12/186  
D655,649 S \* 3/2012 Kudo et al. .... D12/126  
D680,916 S \* 4/2013 Kojima et al. .... D12/126  
D683,275 S \* 5/2013 Yanagita et al. .... D12/126  
D689,800 S \* 9/2013 Futamata et al. .... D12/126  
D690,625 S \* 10/2013 Futamata et al. .... D12/126  
D695,157 S \* 12/2013 Tsukui et al. .... D12/126

\* cited by examiner

*Primary Examiner* — Eric Goodman

*Assistant Examiner* — Ryan Harvey

(74) *Attorney, Agent, or Firm* — Birch, Stewart, Kolasch & Birch, LLP

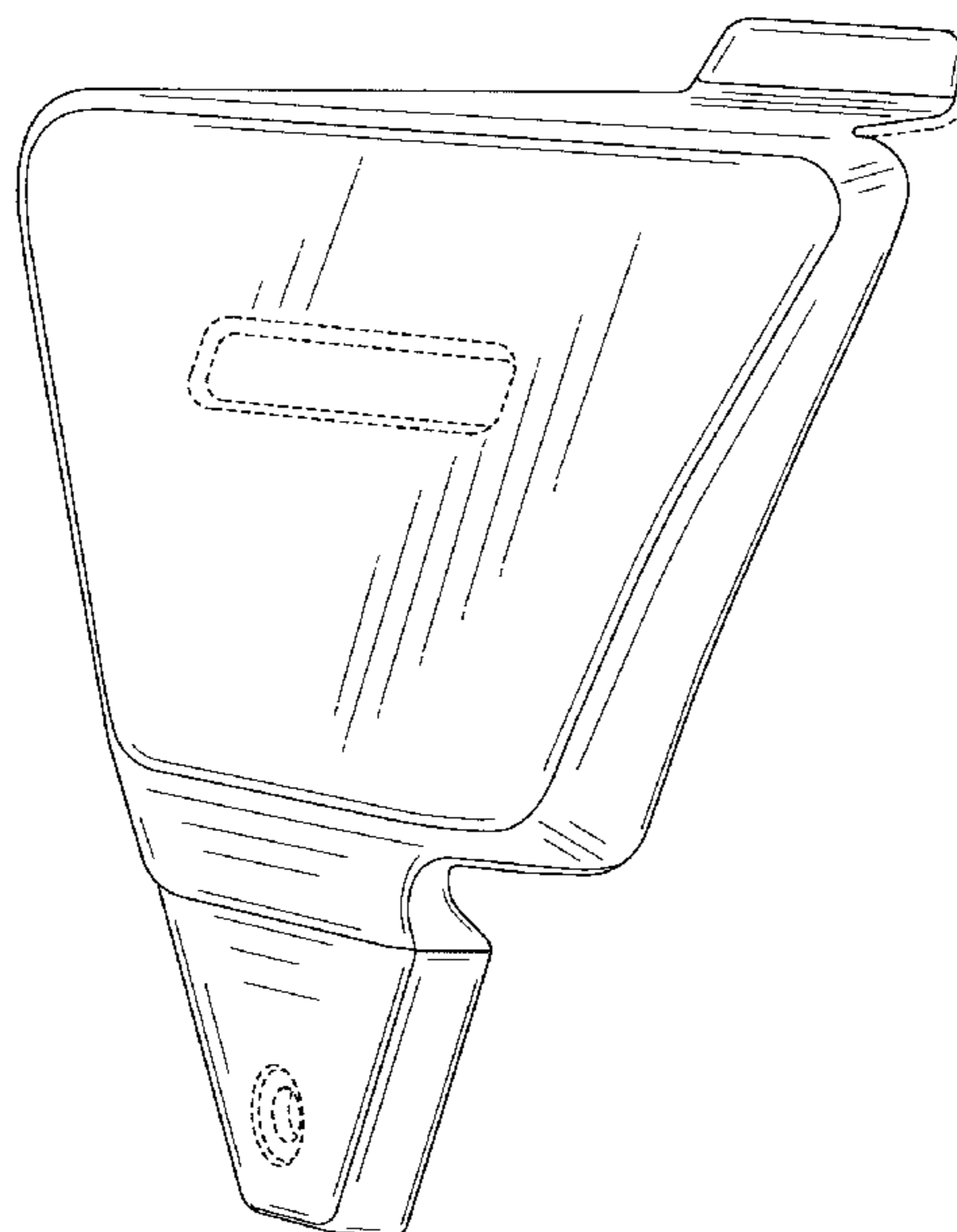
(57) **CLAIM**

The ornamental design for, a side cover for a motorcycle, as shown and described.

**DESCRIPTION**

FIG. 1 is a front perspective view of a side cover for a motorcycle, showing our new design;  
FIG. 2 is a front elevational view thereof;  
FIG. 3 is a top plan view thereof;  
FIG. 4 is a bottom plan view thereof;  
FIG. 5 is a right side elevational view thereof; and,  
FIG. 6 is a left side elevational view thereof.  
The broken lines illustrate portions of the article that form no part of the claimed design.

**1 Claim, 6 Drawing Sheets**



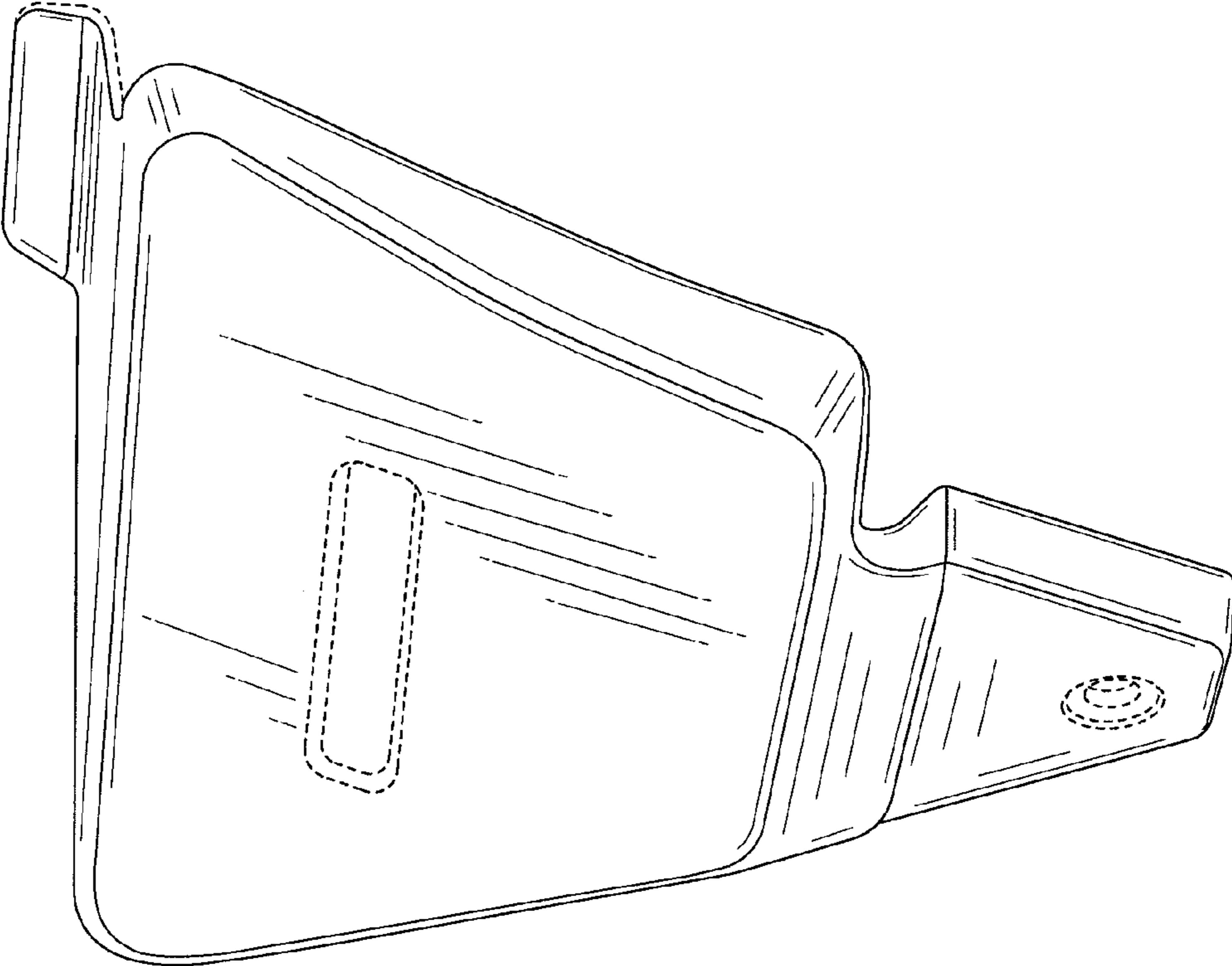


Fig. 1

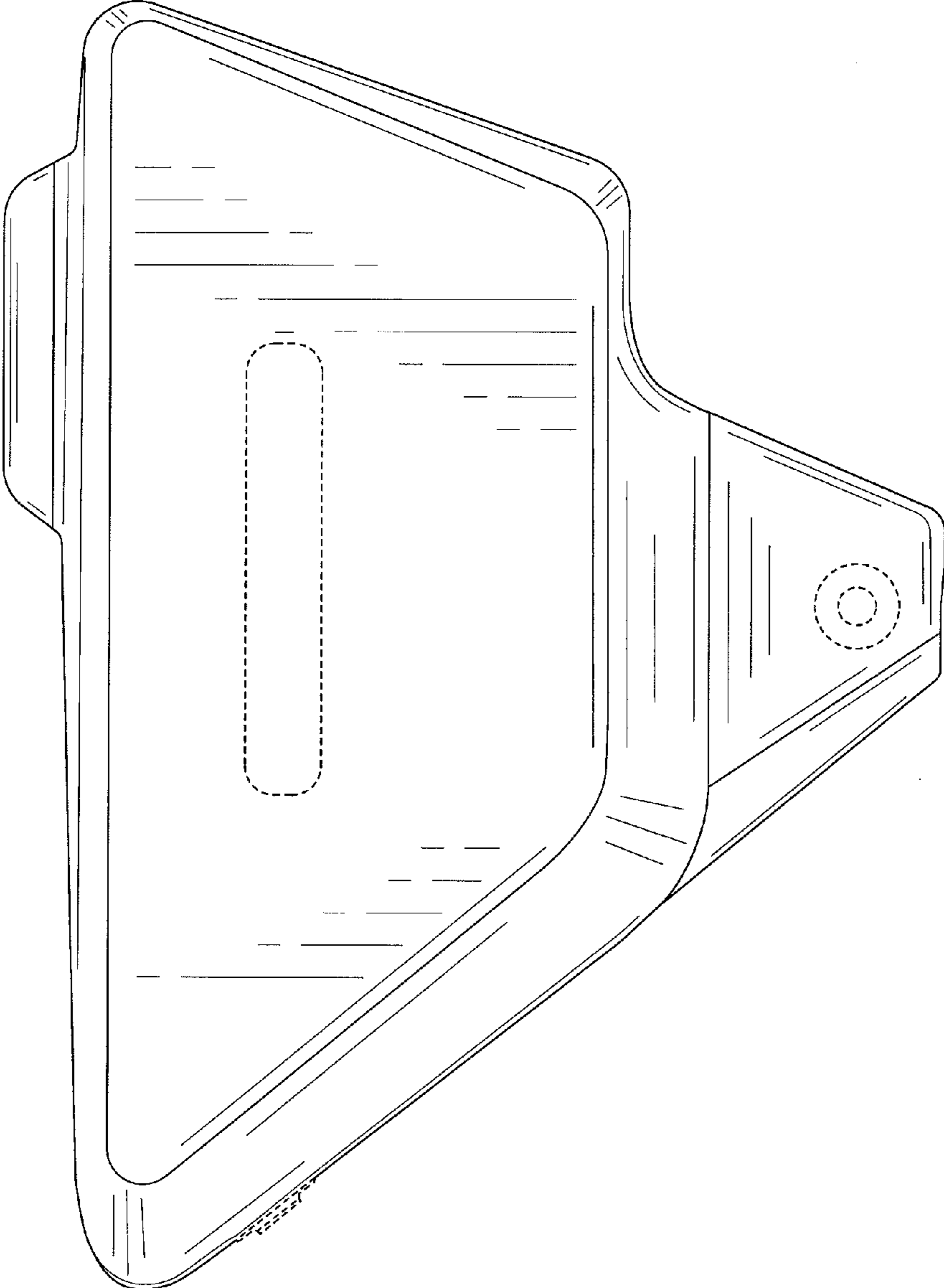


Fig. 2

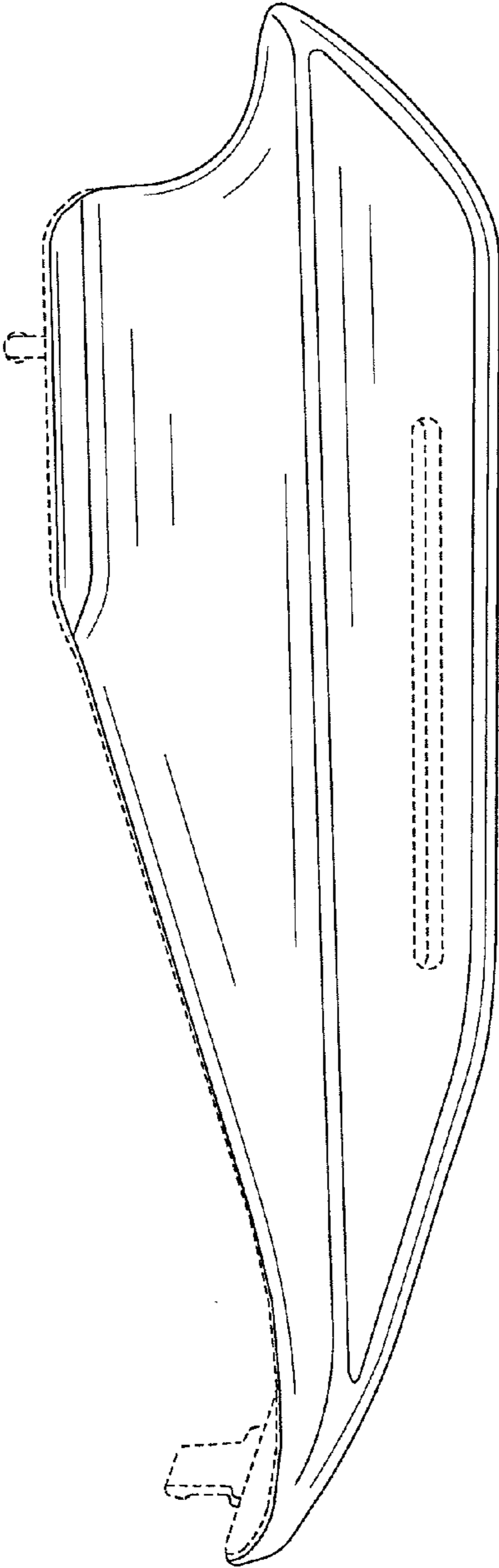


Fig. 3

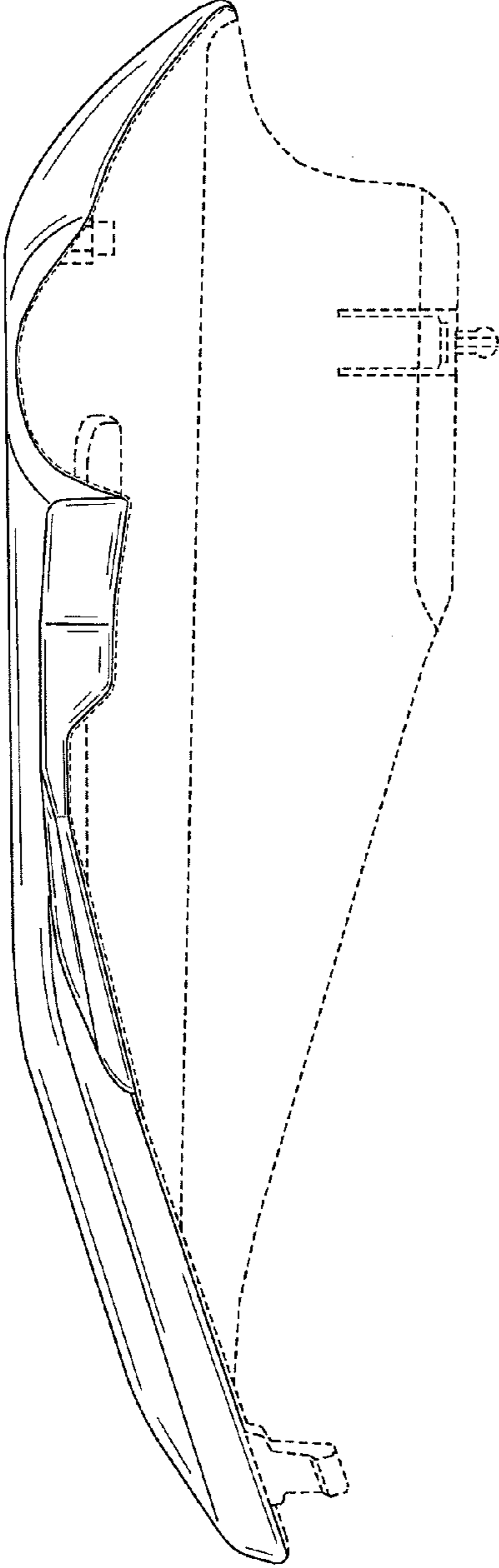


Fig. 4

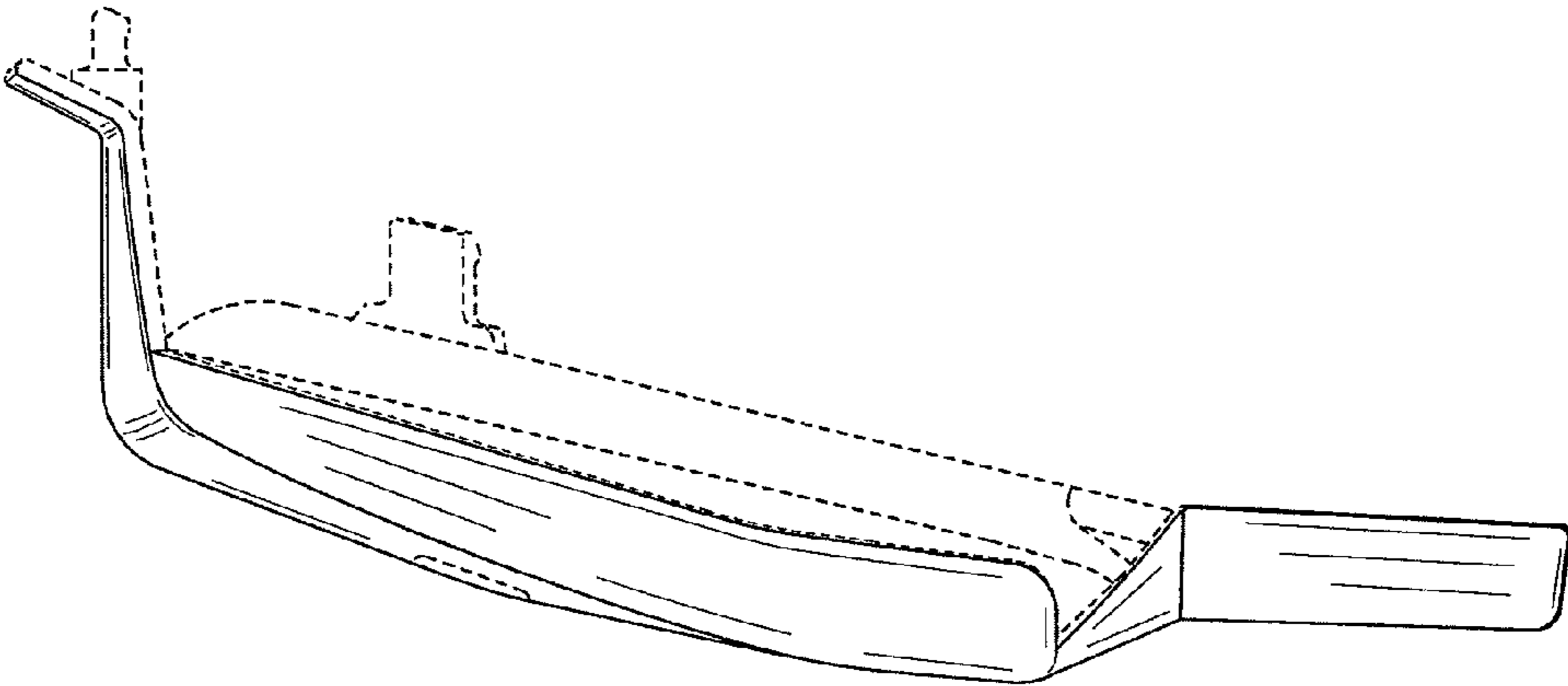


Fig. 5

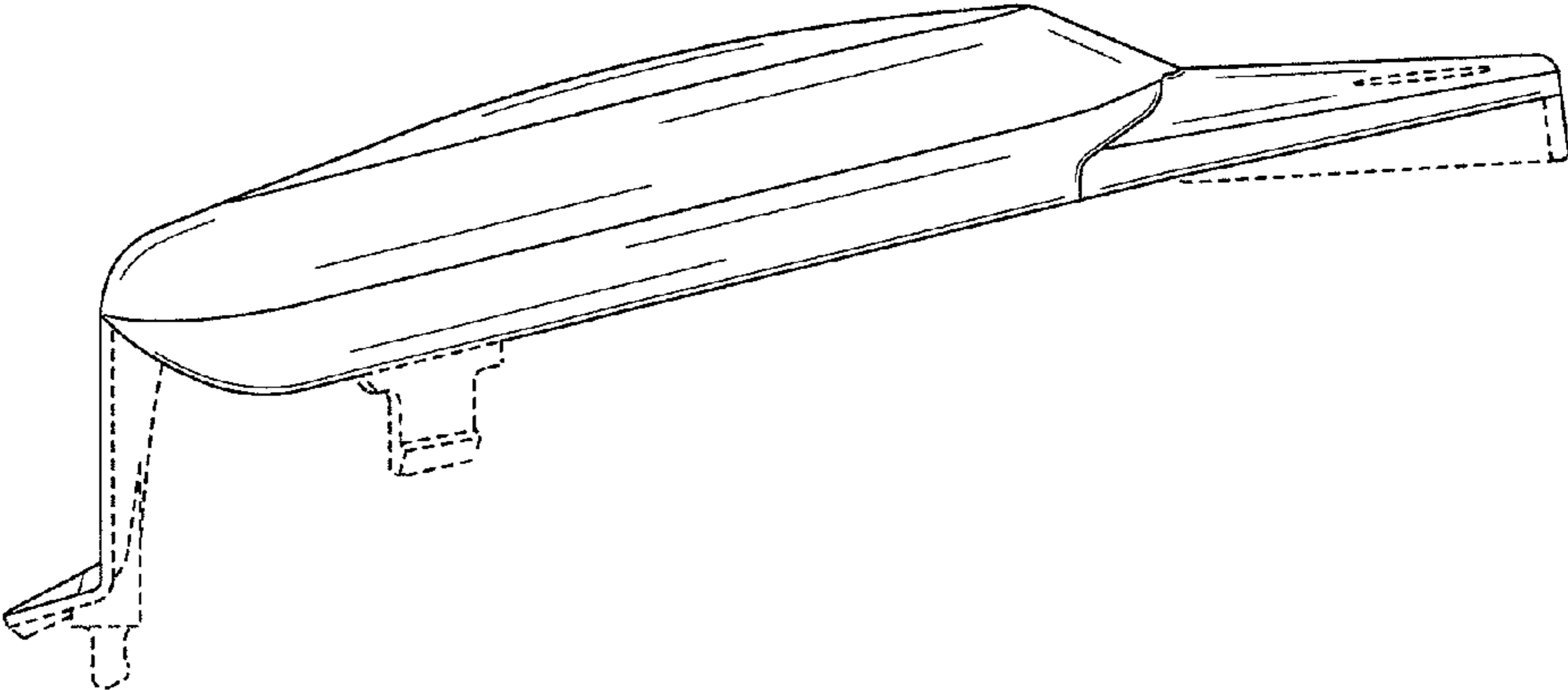


Fig. 6