



US00D712792S

(12) **United States Design Patent**
Alsaeed

(10) **Patent No.:** **US D712,792 S**

(45) **Date of Patent:** **** Sep. 9, 2014**

(54) **FOLDING UTILITY TRAILER**

(75) Inventor: **Mokhtar M Alsaeed**, Redmond, WA
(US)

(73) Assignee: **Mokhtar Mohamed Alsaeed**, Monroe,
WA (US)

(**) Term: **14 Years**

(21) Appl. No.: **29/373,523**

(22) Filed: **Apr. 21, 2011**

(51) **LOC (10) Cl.** **12-10**

(52) **U.S. Cl.**

USPC **D12/104**

(58) **Field of Classification Search**

USPC D12/19, 129, 101-106, 111-112;
D21/424, 435, 425; D34/21-26, 12,
D34/14, 16-19; 280/204, 63, 475, 482, 648,
280/763.1, 47.25, 205, 647; 296/173, 181,
296/10, 61, 100.01-100.08, 180.2, 180, 168

See application file for complete search history.

(56) **References Cited**

U.S. PATENT DOCUMENTS

608,631	A *	8/1898	Ahearn	254/371
819,921	A *	5/1906	Hyde	72/418
844,978	A *	2/1907	Alvarino	105/44
3,831,849	A *	8/1974	Studinger	239/127
D340,681	S *	10/1993	Alpiser et al.	D12/101
D369,328	S *	4/1996	Acosta	D12/101
6,708,995	B2 *	3/2004	Norris	280/204
7,175,205	B2 *	2/2007	Simpson	280/789
D574,755	S *	8/2008	Thurm	D12/101
7,527,281	B1 *	5/2009	Rowland et al.	280/491.1

8,721,805	B2 *	5/2014	Barrios et al.	134/115 R
2006/0043768	A1 *	3/2006	Ray	296/173
2008/0211289	A1 *	9/2008	Beiler et al.	298/19 R

* cited by examiner

Primary Examiner — Katrina A Betton

(57) **CLAIM**

The ornamental design for a folding utility trailer, as shown.

DESCRIPTION

FIG. 1 is a top, rear perspective view of a folding utility trailer showing my new design;

FIG. 2 is a top, front perspective view thereof;

FIG. 3 is a bottom, front perspective view thereof;

FIG. 4 is a bottom, rear perspective view thereof;

FIG. 5 is a front plan view thereof in an alternate position of use;

FIG. 6 is a front plan view thereof in an alternate position of use;

FIG. 7 is a front plan view thereof in an alternate position of use;

FIG. 8 is a bottom plan view thereof in an alternate position of use;

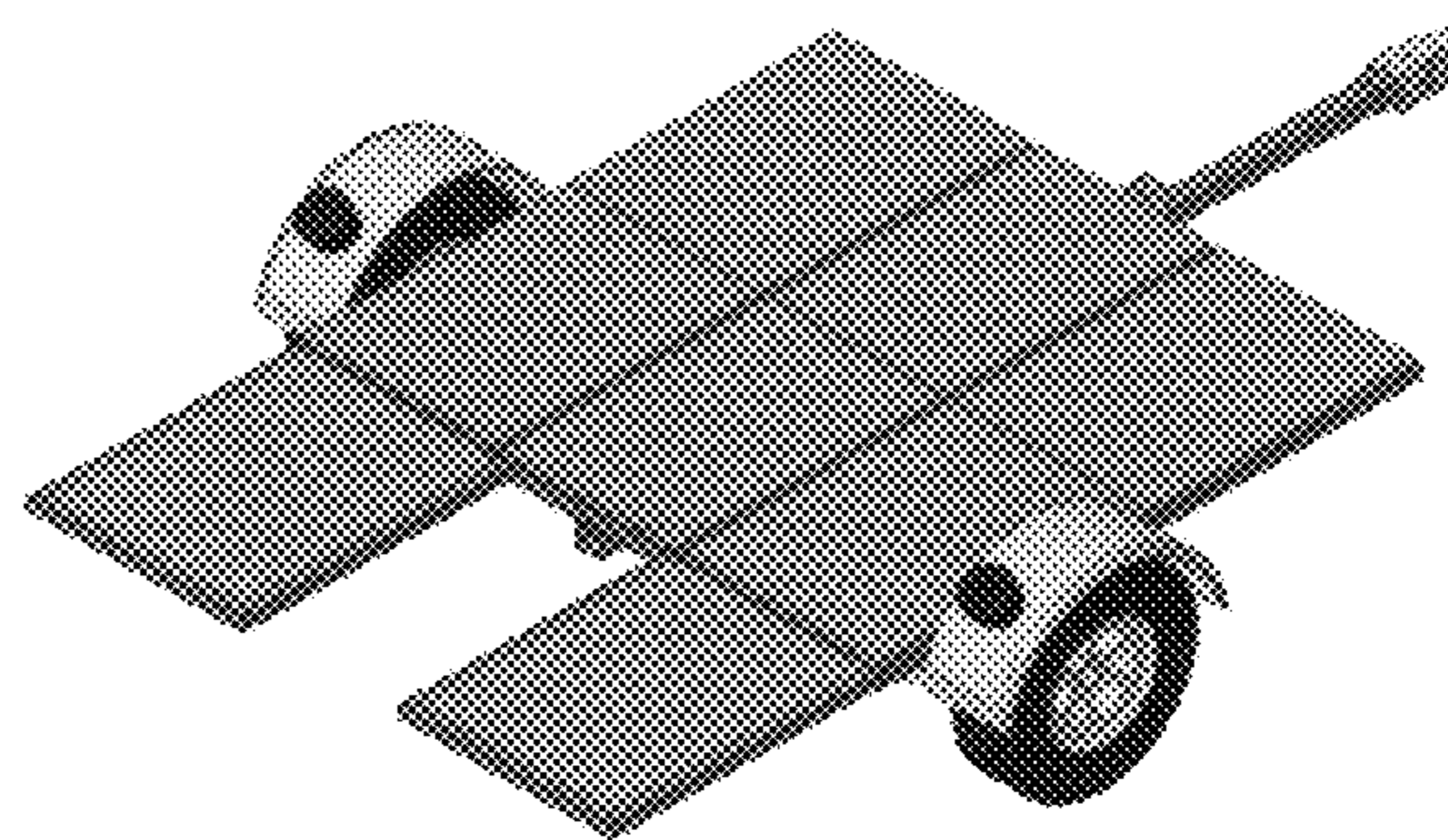
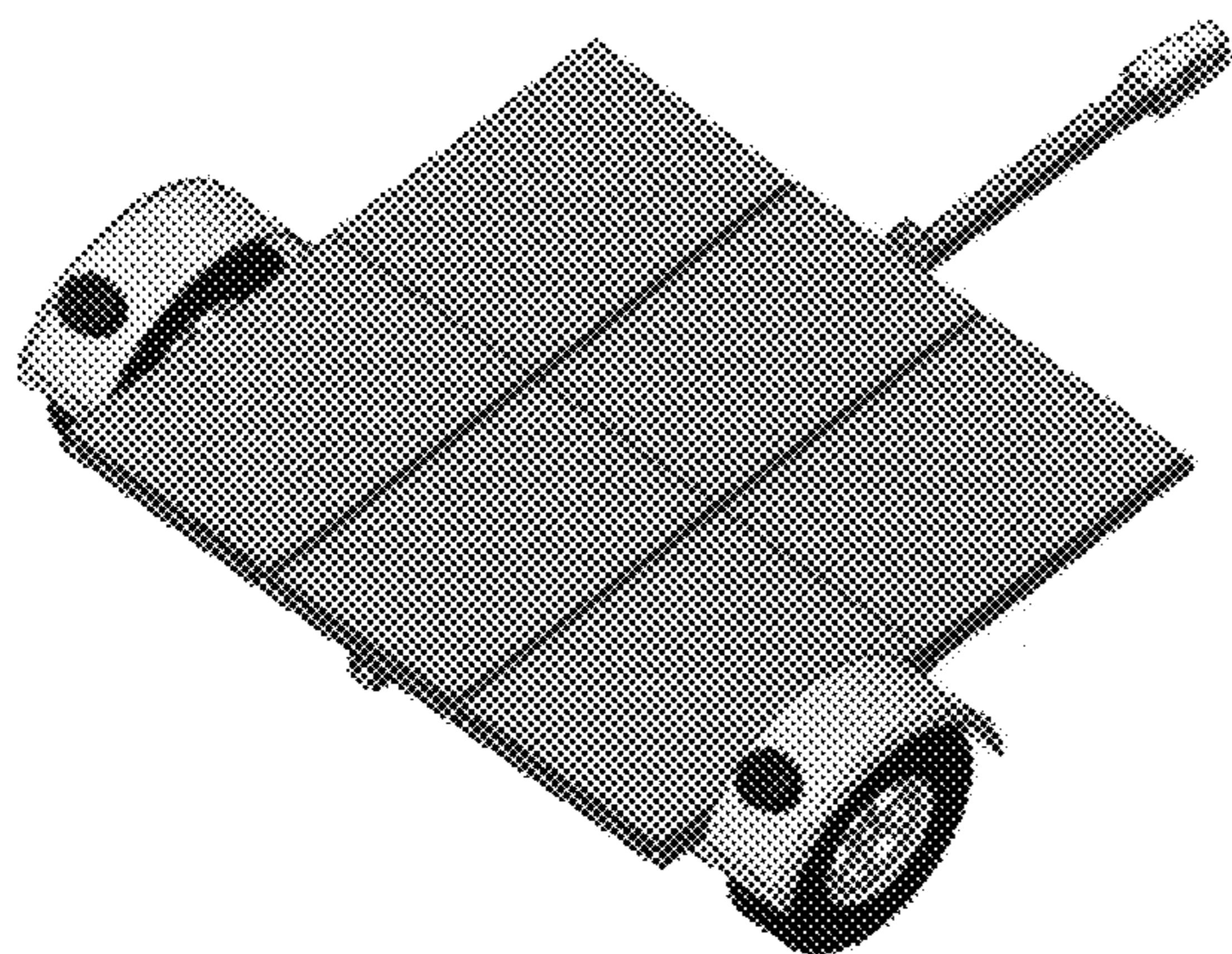
FIG. 9 is a bottom plan view thereof in an alternate position of use;

FIG. 10 is a bottom plan view thereof in an alternate position of use;

FIG. 11 is a top, rear perspective view thereof in an alternate position of use; and,

FIG. 12 is a rear, side perspective view thereof in an alternate position of use.

1 Claim, 5 Drawing Sheets



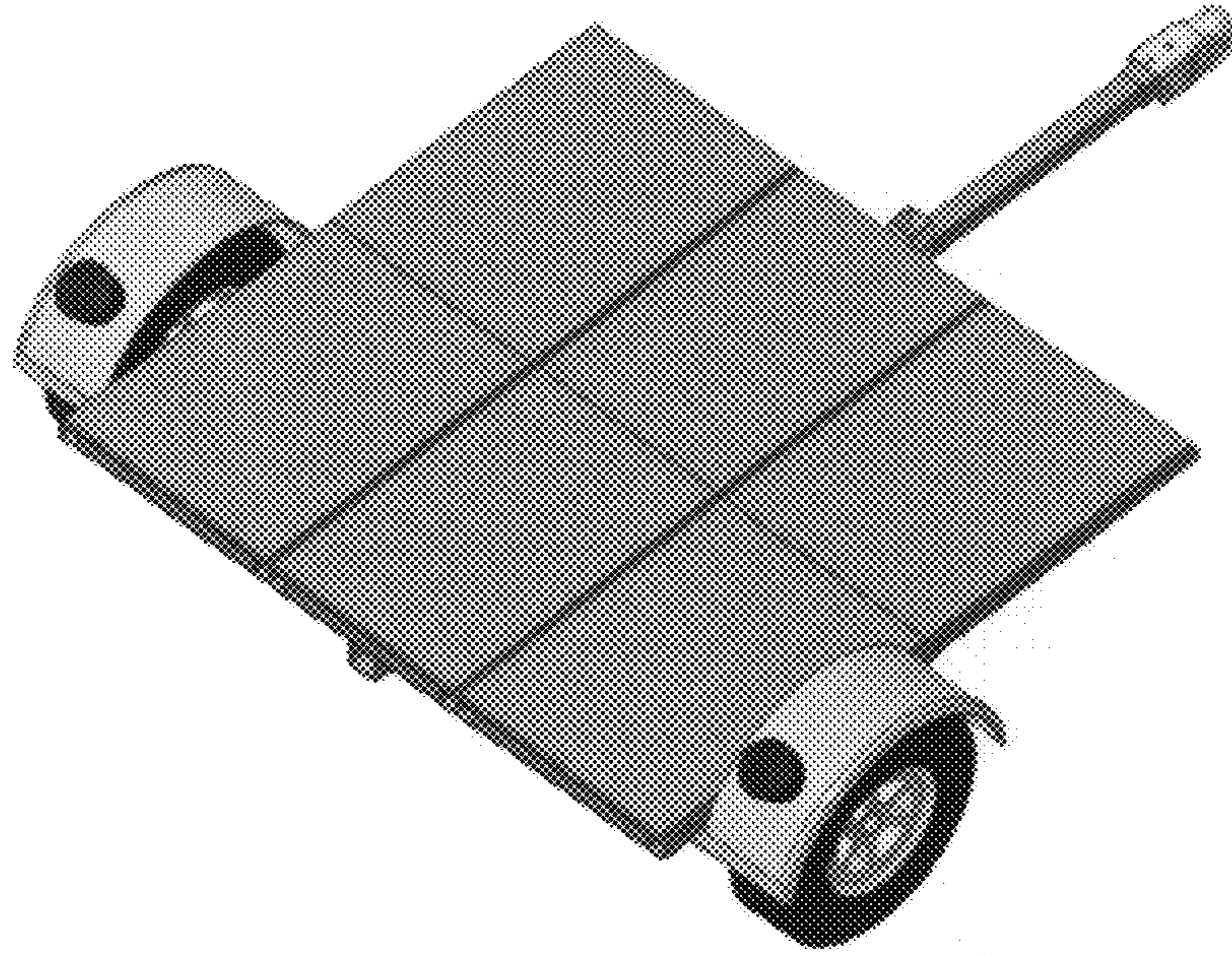


FIG. 1

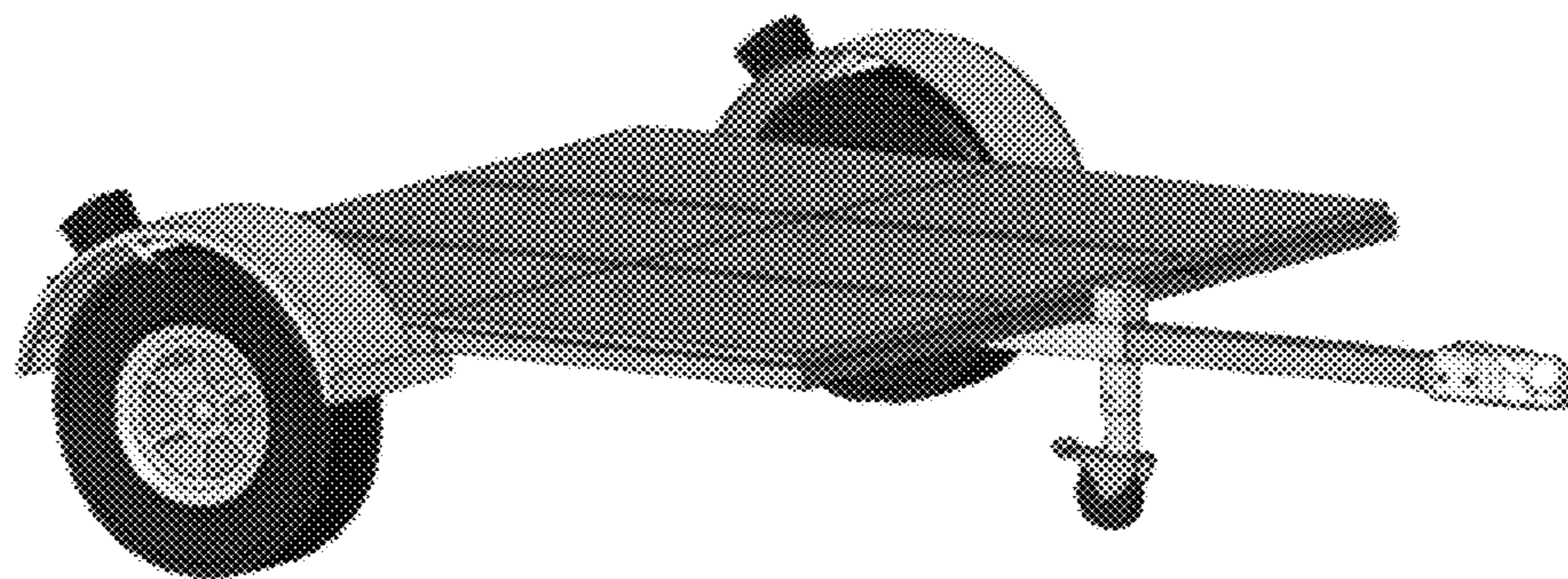


FIG. 2

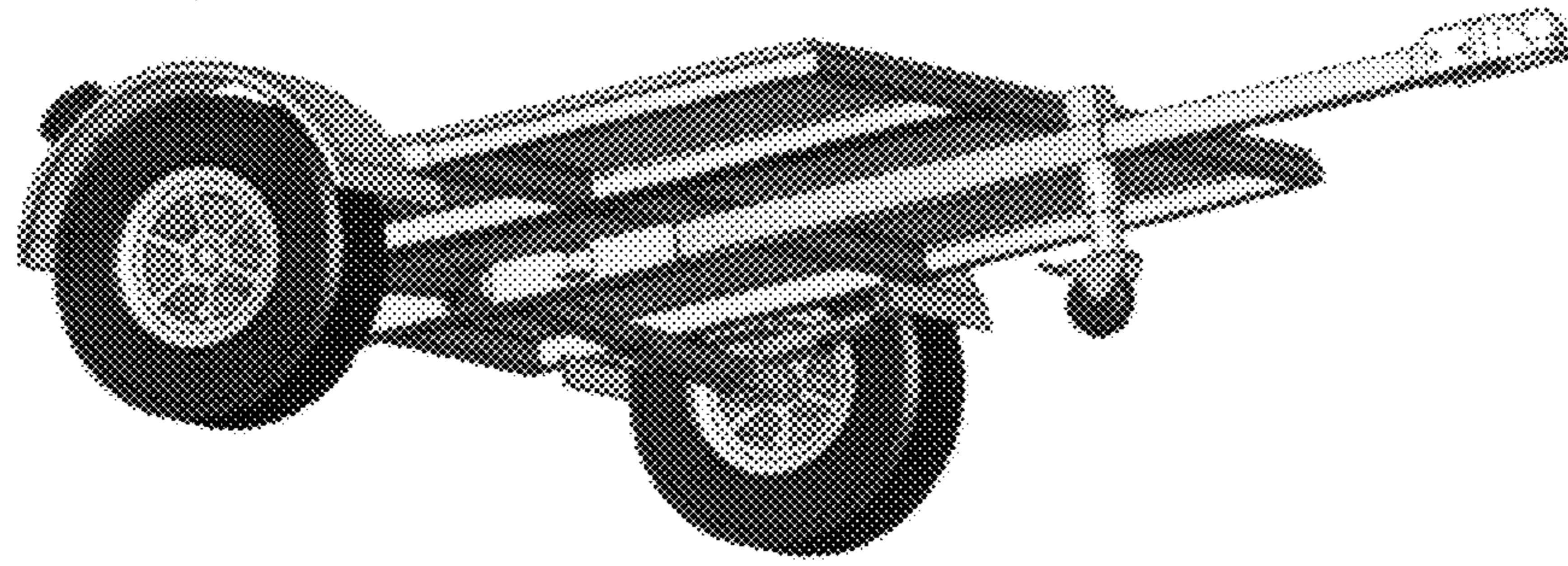


FIG. 3

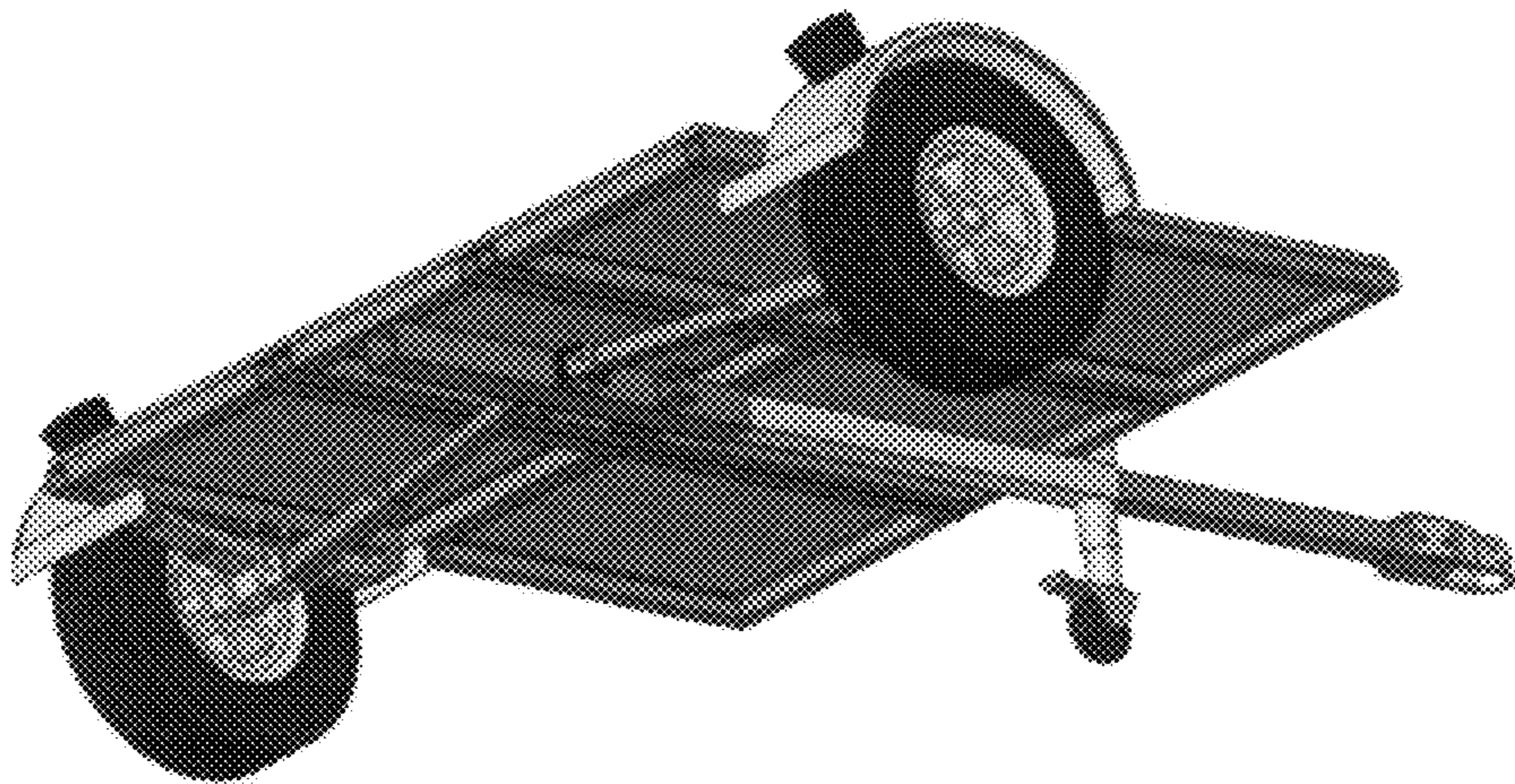


FIG. 4

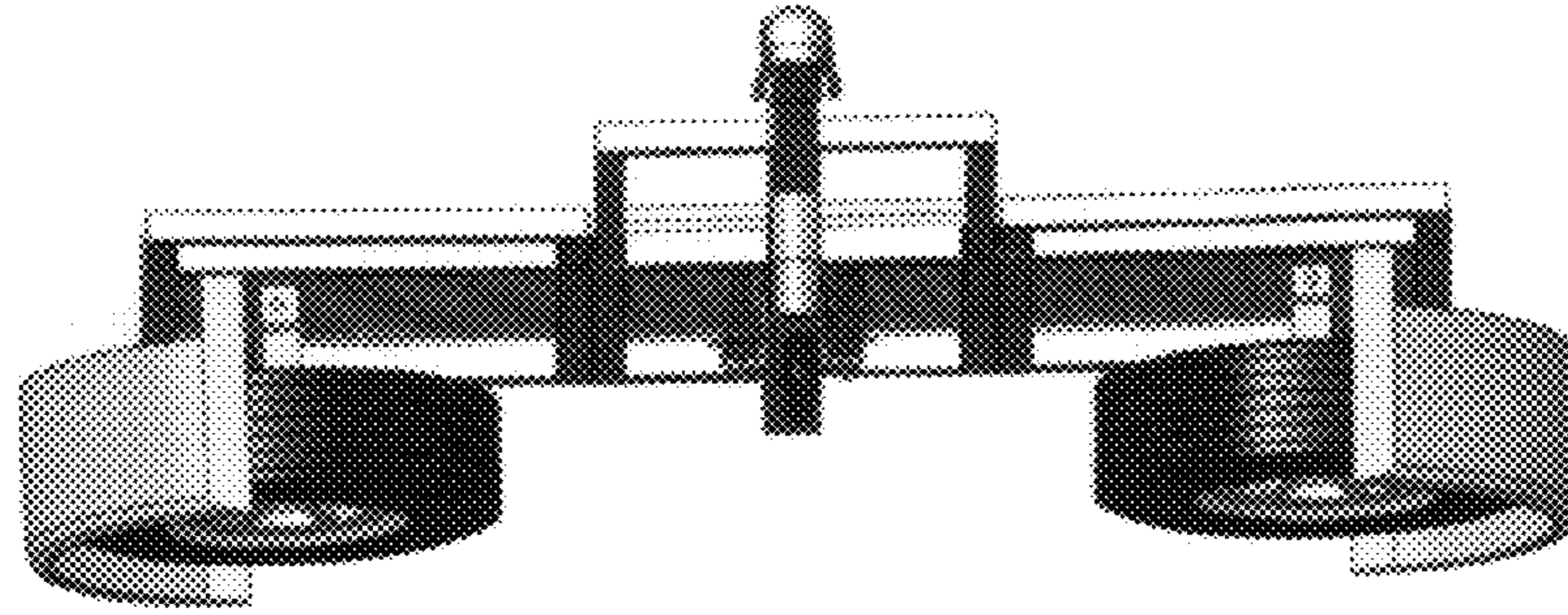


FIG. 5

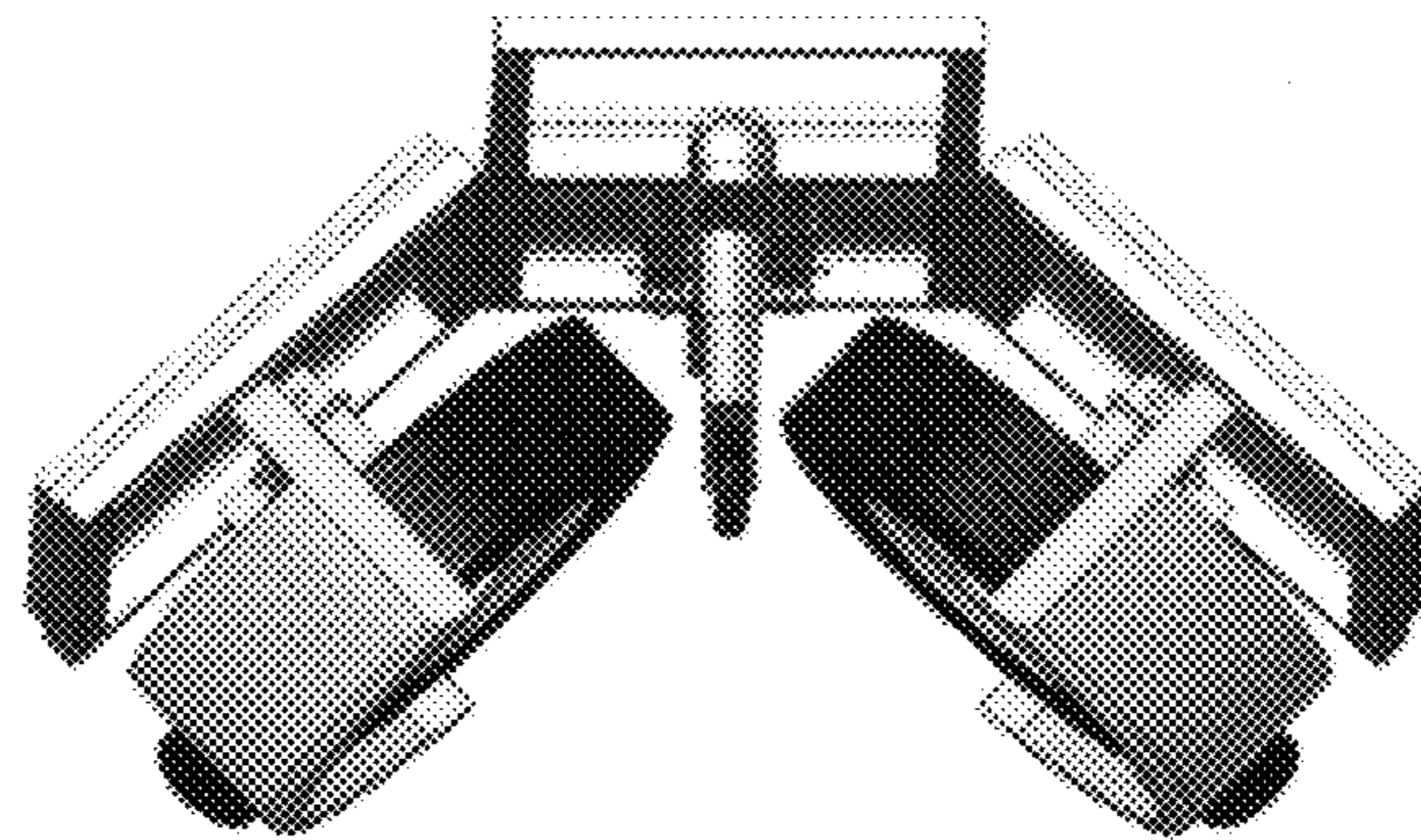


FIG. 6

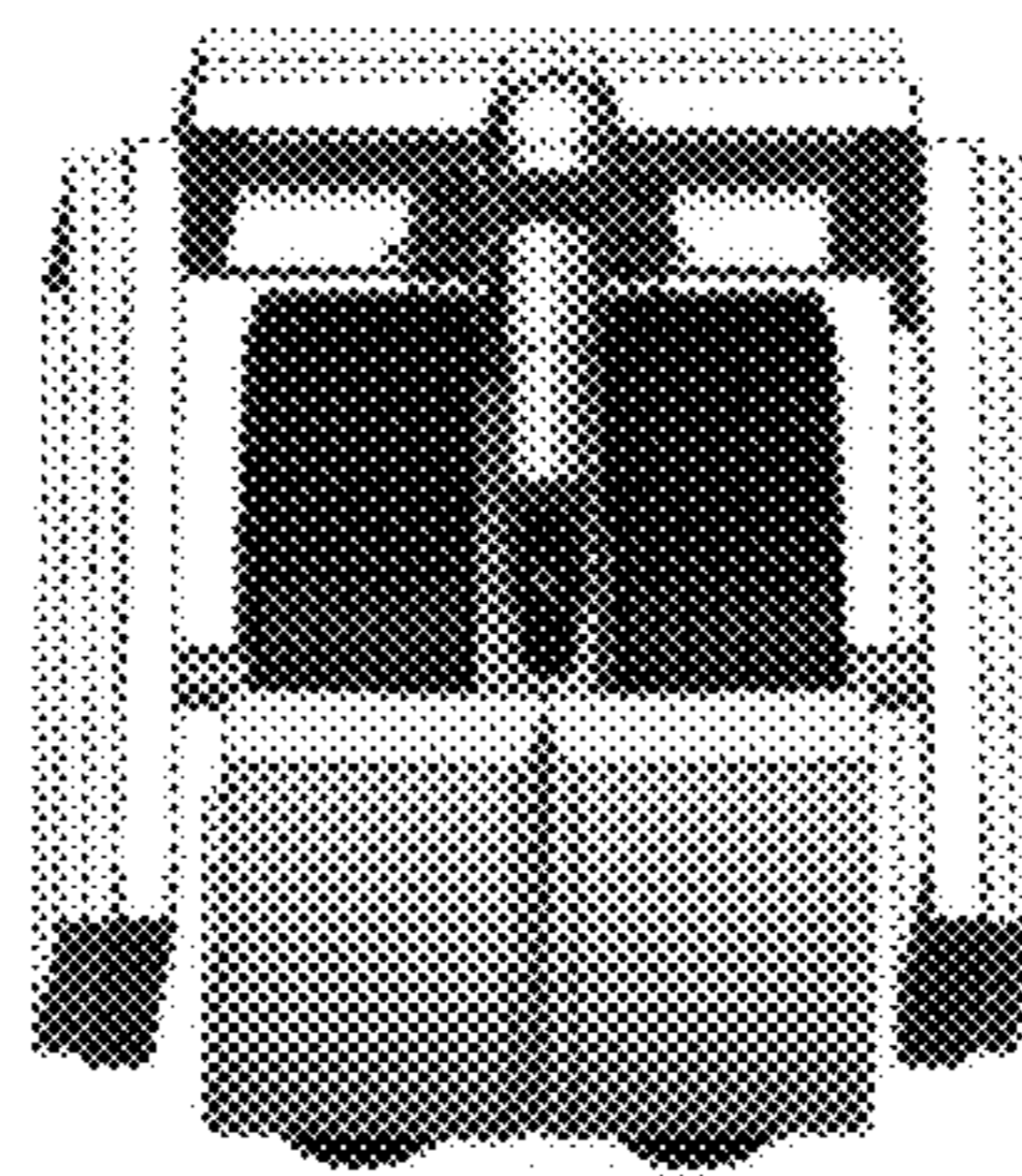


FIG. 7

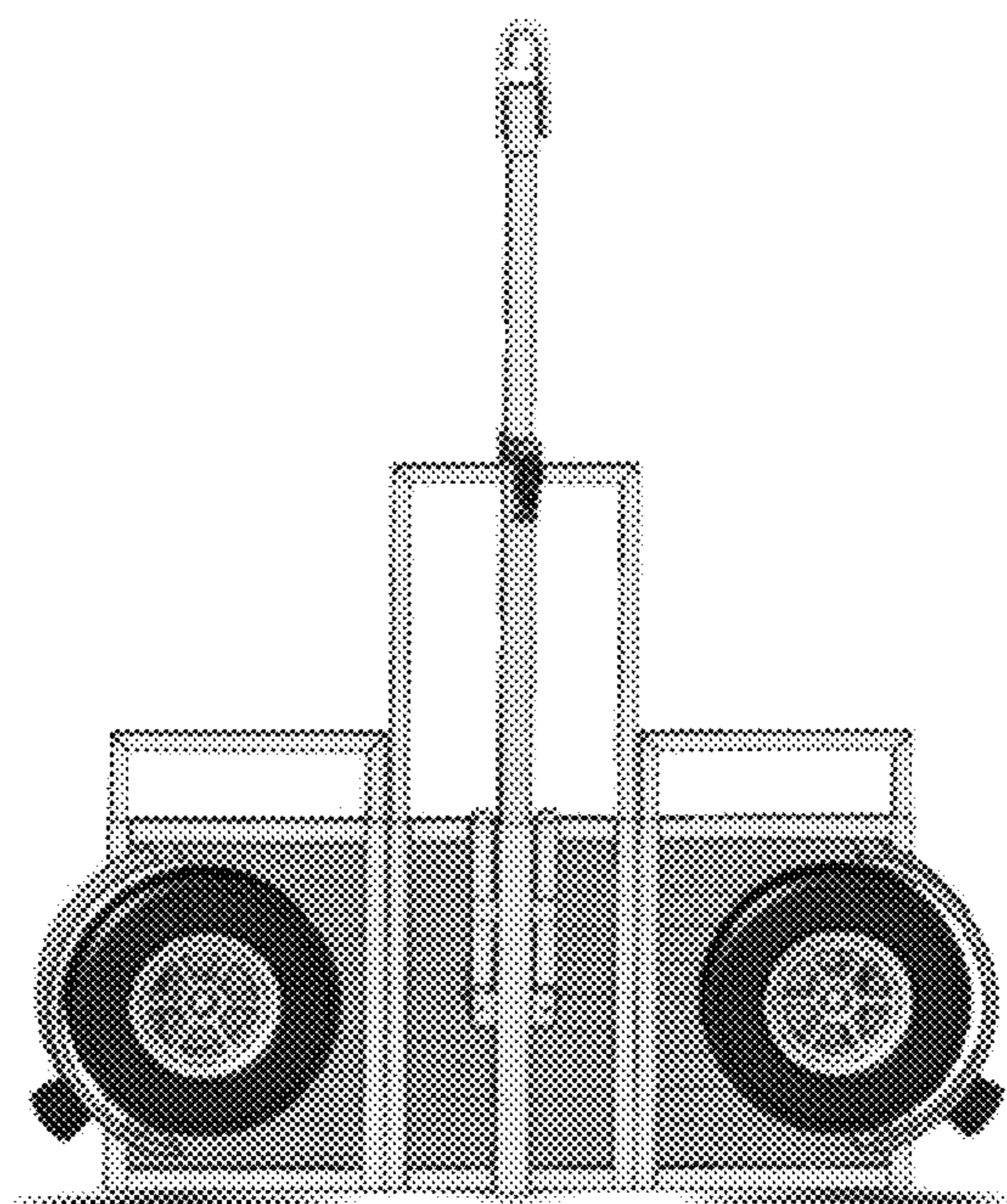


FIG. 8

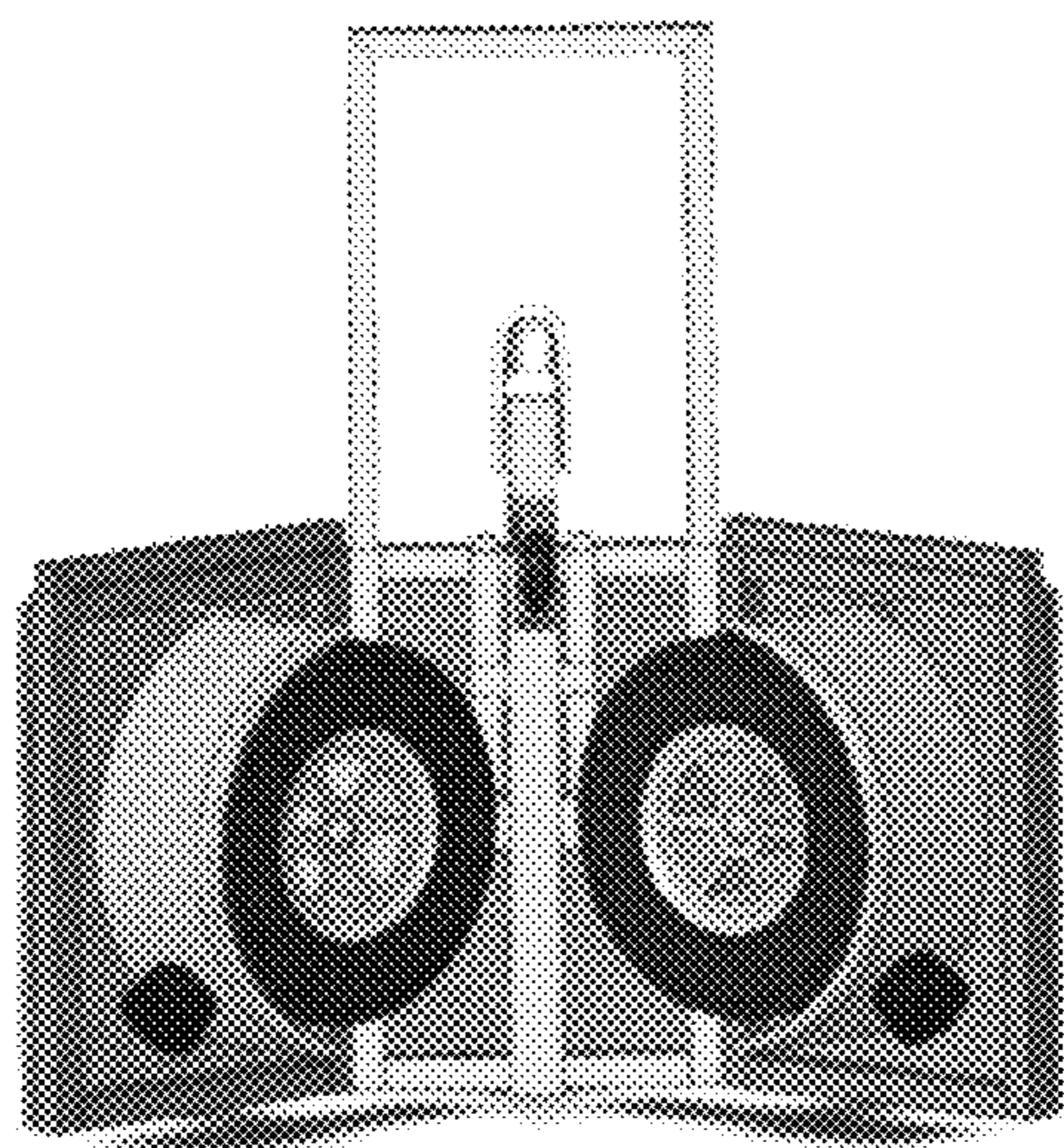


FIG. 9

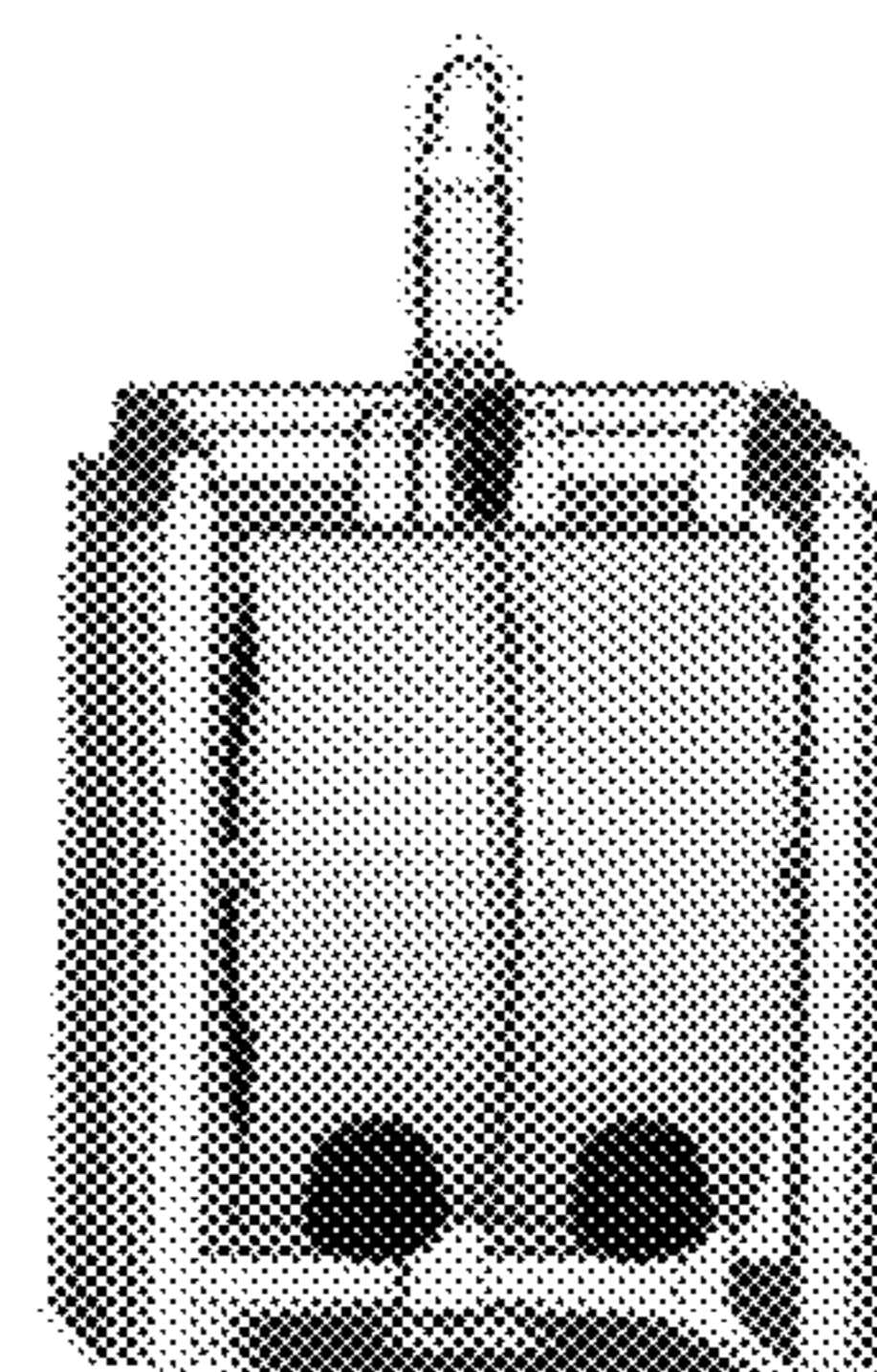


FIG. 10

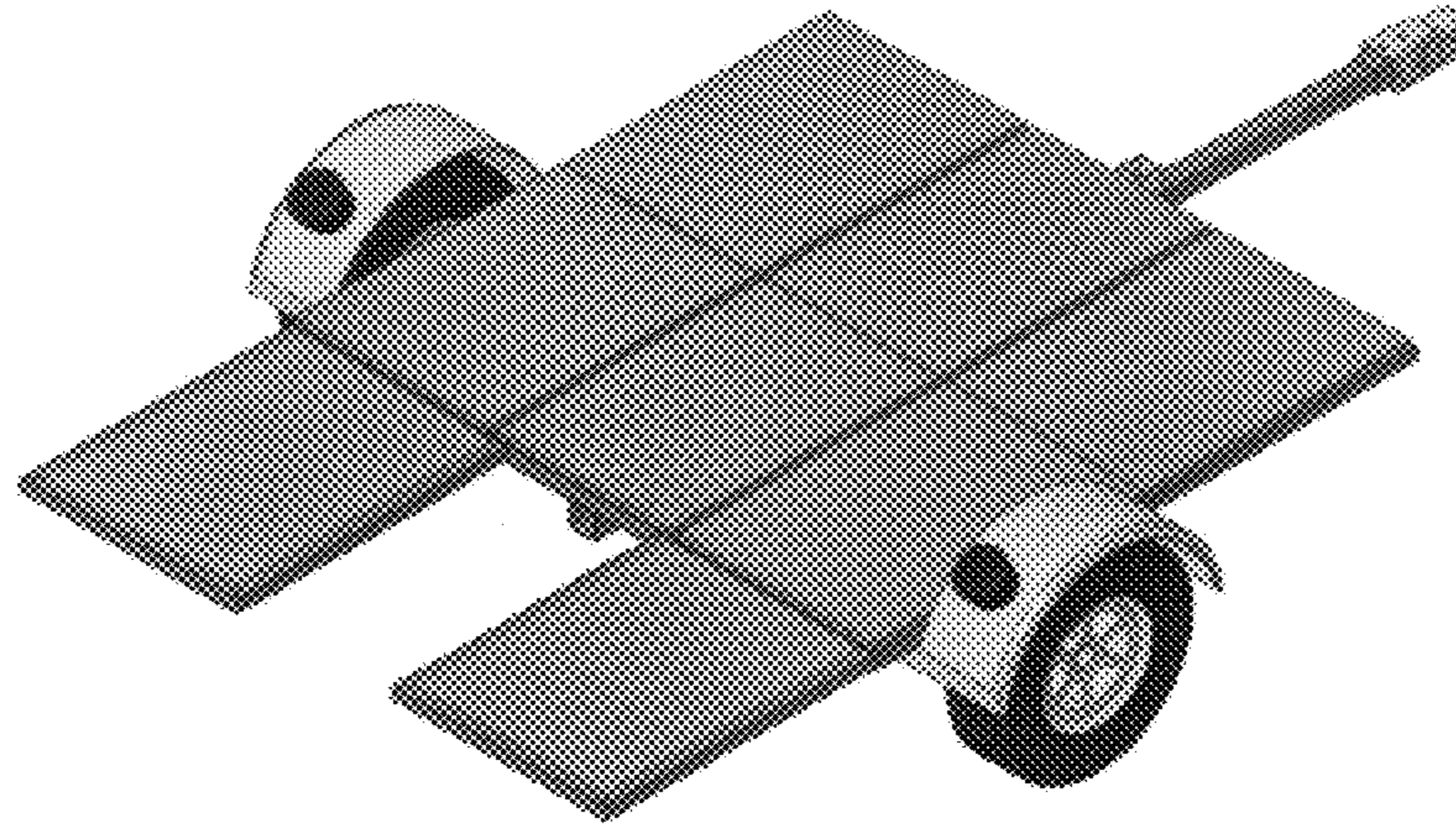


FIG. 11

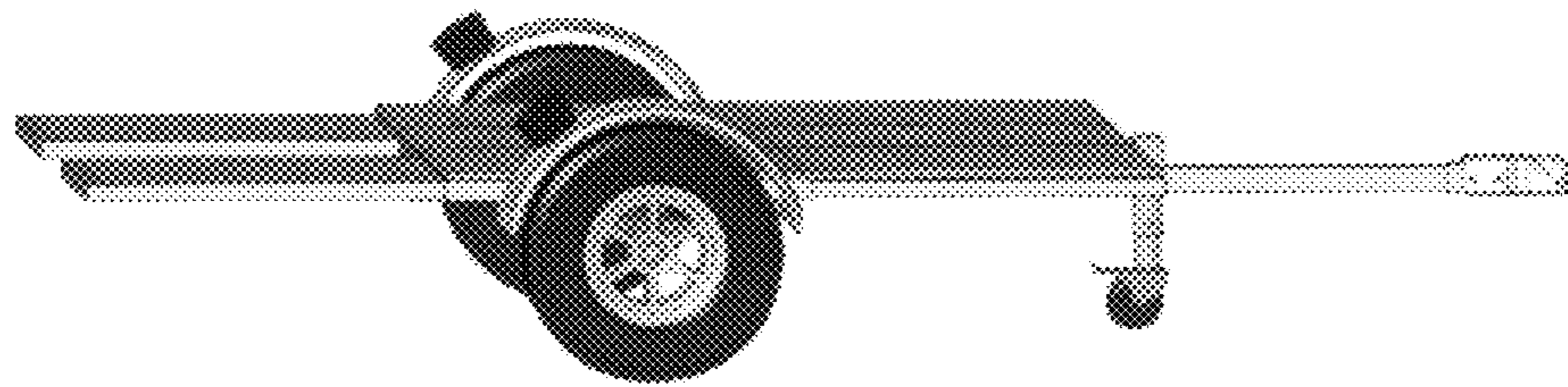


FIG. 12