



US00D712791S

(12) **United States Design Patent**
Scheinhütte

(10) **Patent No.:** **US D712,791 S**

(45) **Date of Patent:** **** Sep. 9, 2014**

(54) **MOTOR VEHICLE, TOY AND/OR REPLICA**

(56)

References Cited

(71) Applicant: **Ing. h.c. F. Porsche Aktiengesellschaft,**
Stuttgart (DE)

(72) Inventor: **Ingo Scheinhütte,** Eberdingen (DE)

(73) Assignee: **Dr. Ing. h.c. F. Porsche**
Aktiengesellschaft, Stuttgart (DE)

(**) Term: **14 Years**

(21) Appl. No.: **29/460,969**

(22) Filed: **Jul. 17, 2013**

(30) **Foreign Application Priority Data**

Jan. 18, 2013 (DE) 40 2013 100 069

(51) **LOC (10) Cl.** **12-08**

(52) **U.S. Cl.**
USPC **D12/92**

(58) **Field of Classification Search**
USPC D12/86, 90-92, 88; D21/424, 433, 434;
296/181.1, 181.5

See application file for complete search history.

U.S. PATENT DOCUMENTS

D649,911 S *	12/2011	Okumoto et al.	D12/92
D686,531 S *	7/2013	Lamm	D12/91
D690,232 S *	9/2013	Scheinhutte et al.	D12/92
D690,620 S *	10/2013	Scheinhutte et al.	D12/92
D697,453 S *	1/2014	Borkert	D12/92
D702,152 S *	4/2014	Borkert	D12/92
D703,585 S *	4/2014	Scheinhutte et al.	D12/92
D704,100 S *	5/2014	Scheinhutte et al.	D12/92

* cited by examiner

Primary Examiner — Melody Brown

(74) *Attorney, Agent, or Firm* — RatnerPrestia

(57)

CLAIM

The ornamental design for a motor vehicle, toy and/or replica, as shown and described.

DESCRIPTION

FIG. 1 is a front perspective view of a motor vehicle, toy and/or replica;

FIG. 2 is a rear perspective view thereof;

FIG. 3 is front elevation view thereof;

FIG. 4 is a rear elevation view thereof;

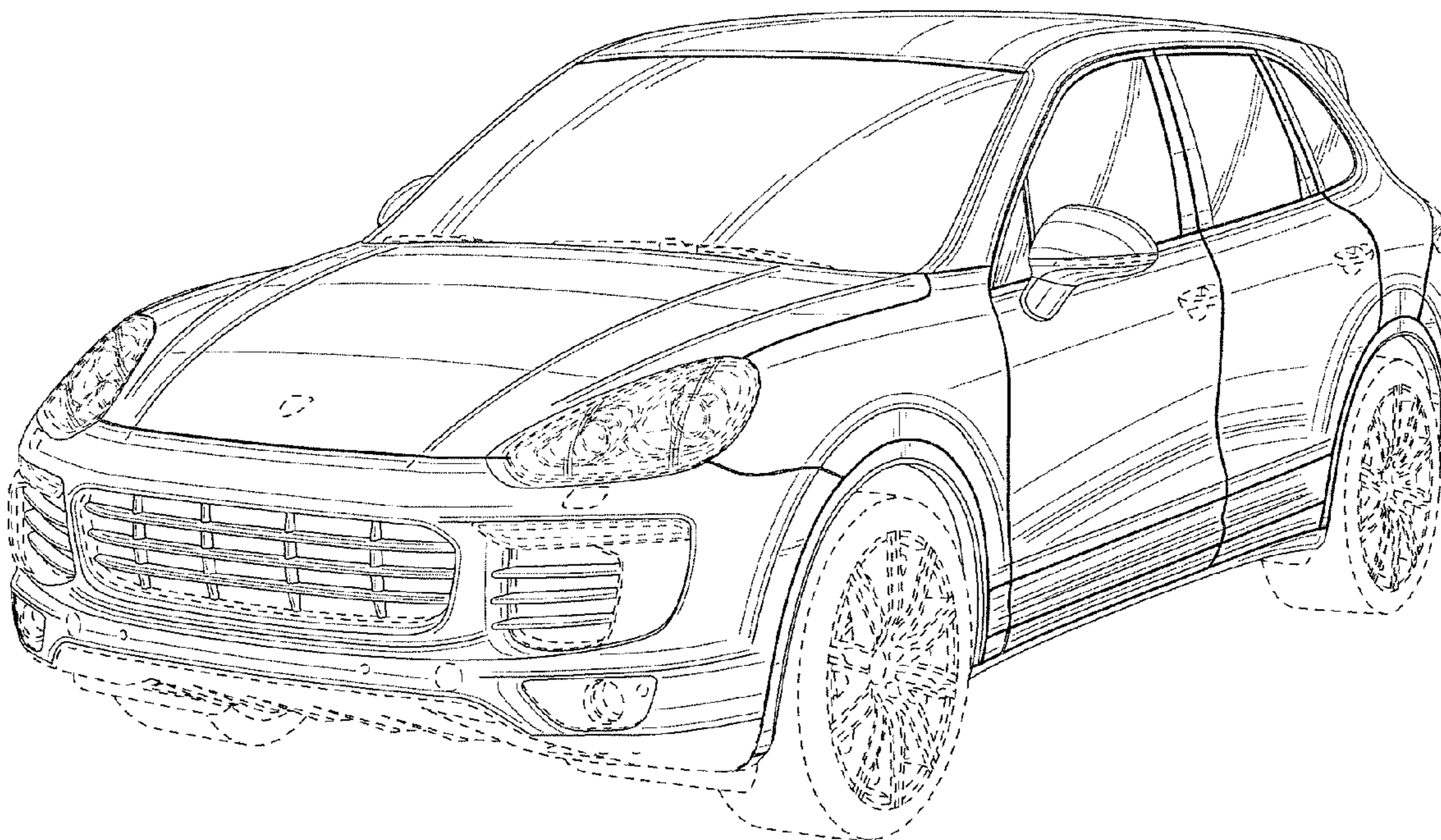
FIG. 5 is a right side elevation view thereof;

FIG. 6 is a left side elevation view thereof; and,

FIG. 7 is a top plan view thereof.

The broken line showing of the motor vehicle, toy and/or replica forms no part of the claimed design.

1 Claim, 7 Drawing Sheets



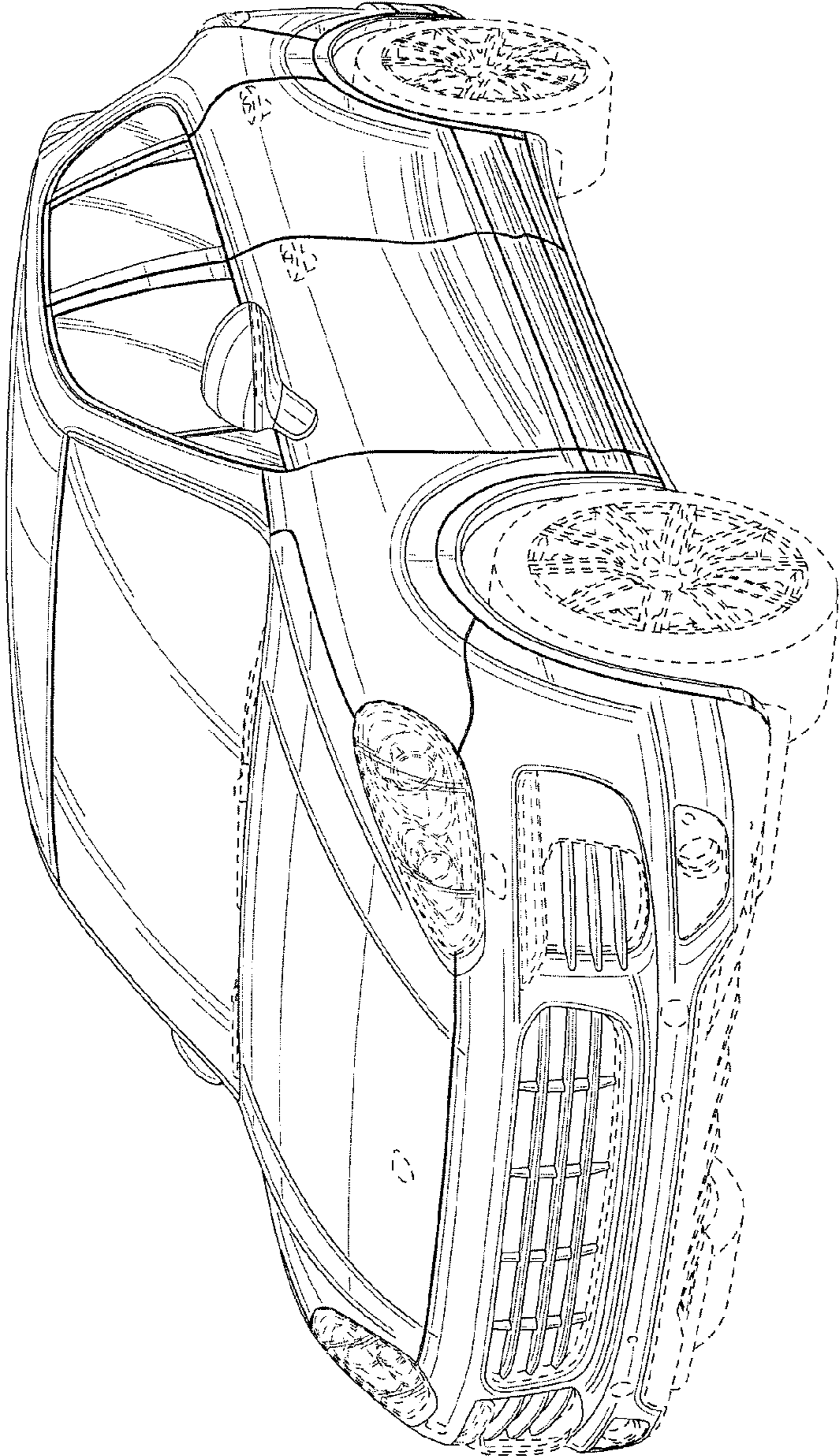


FIG. 1

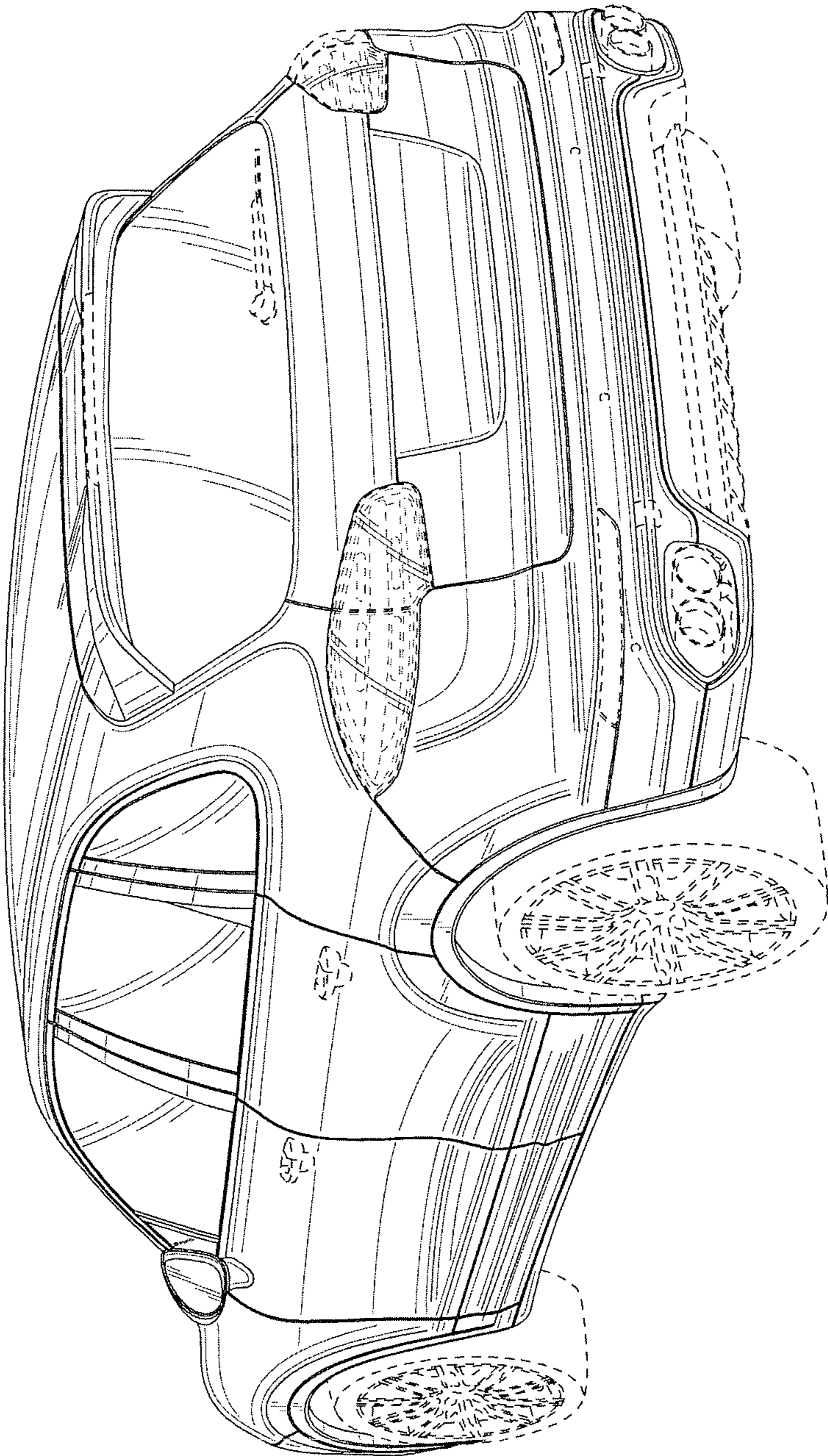


FIG. 2

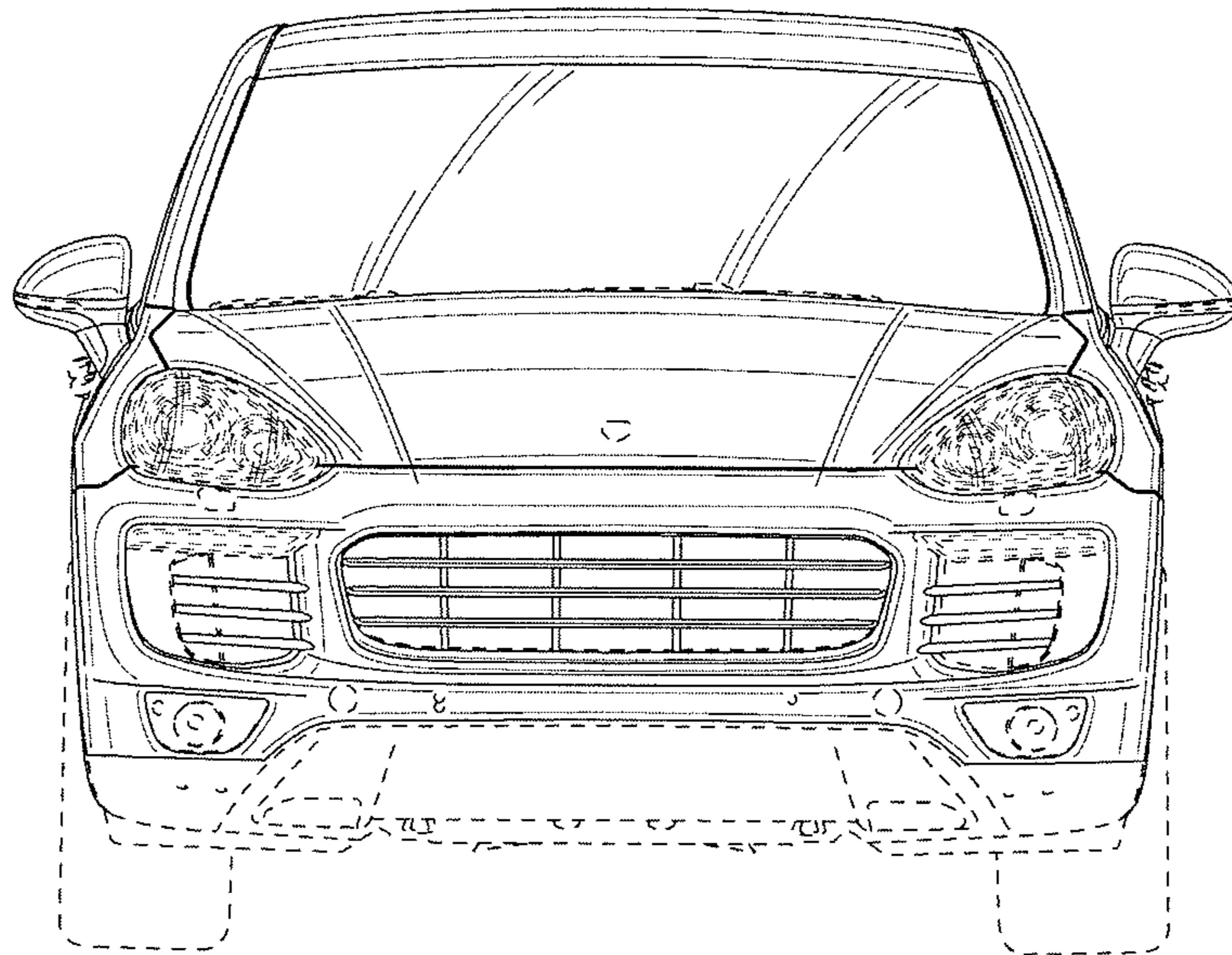


FIG. 3

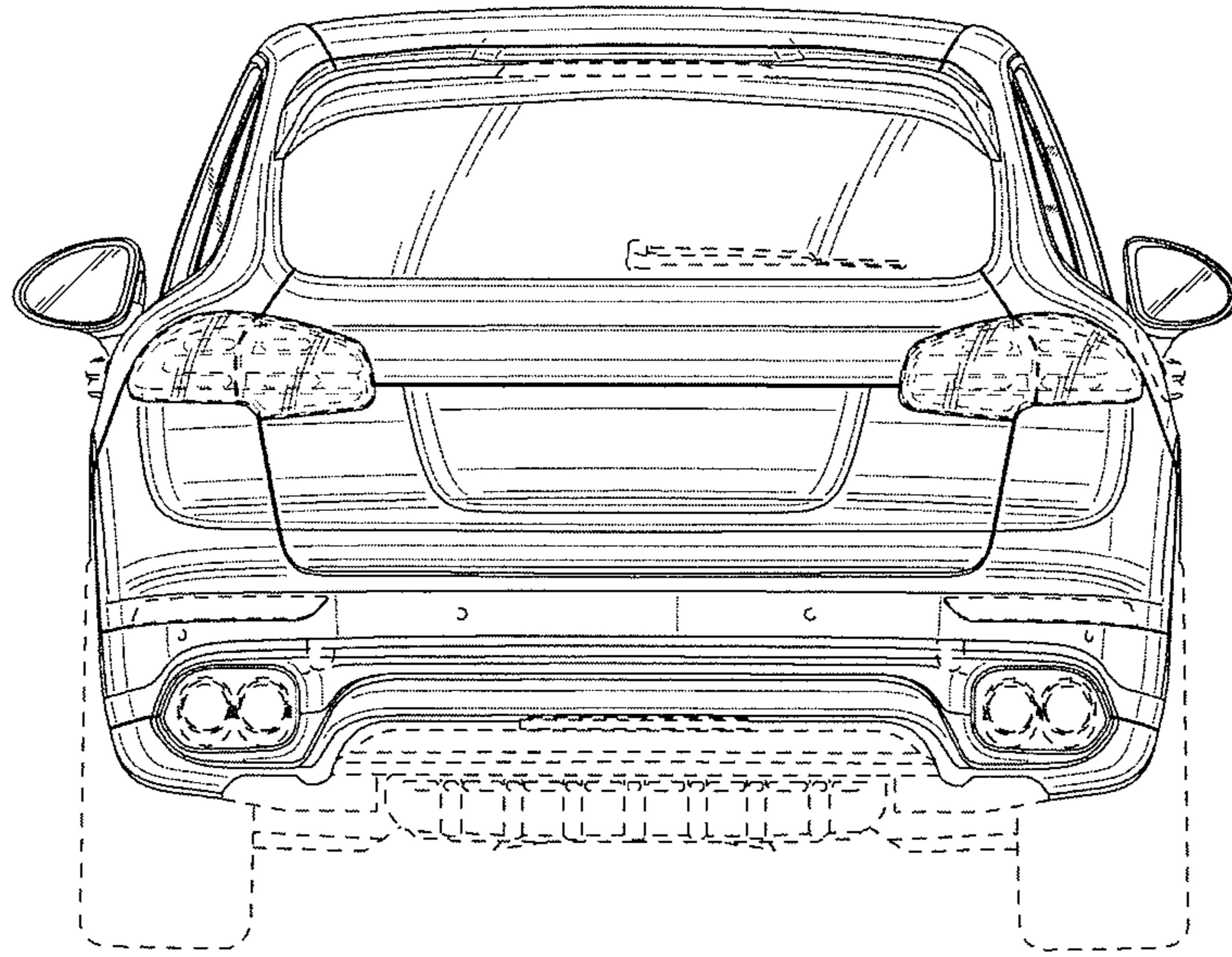


FIG. 4

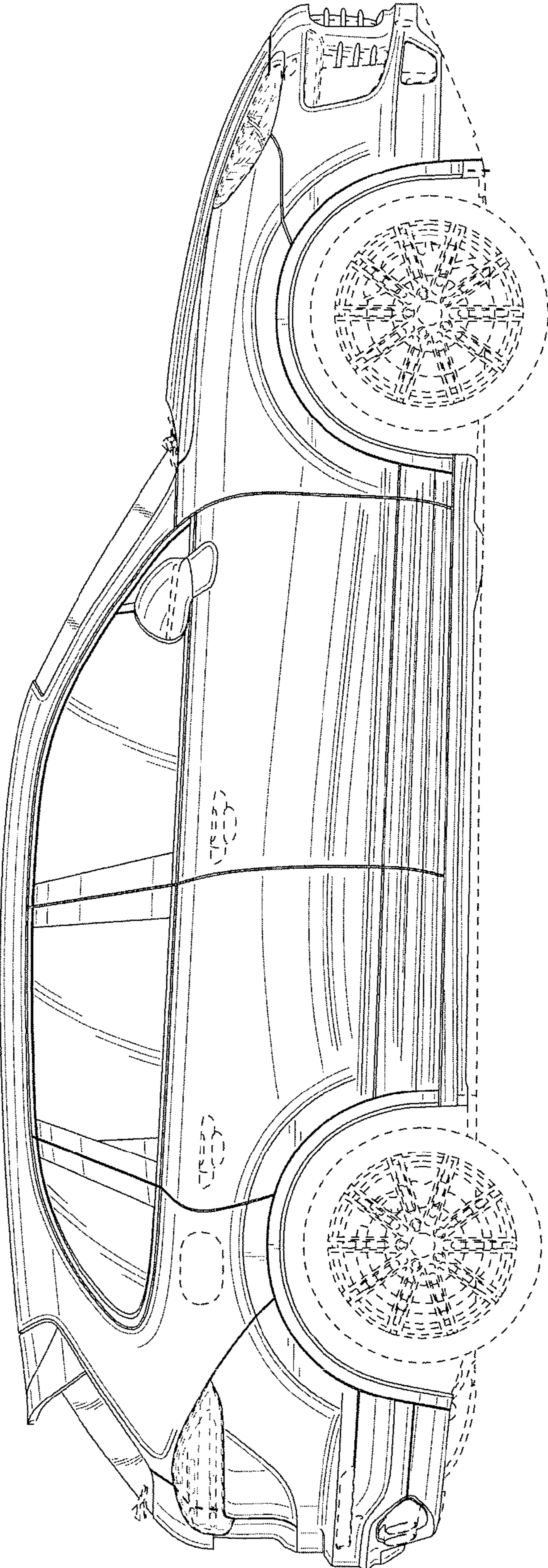


FIG. 5

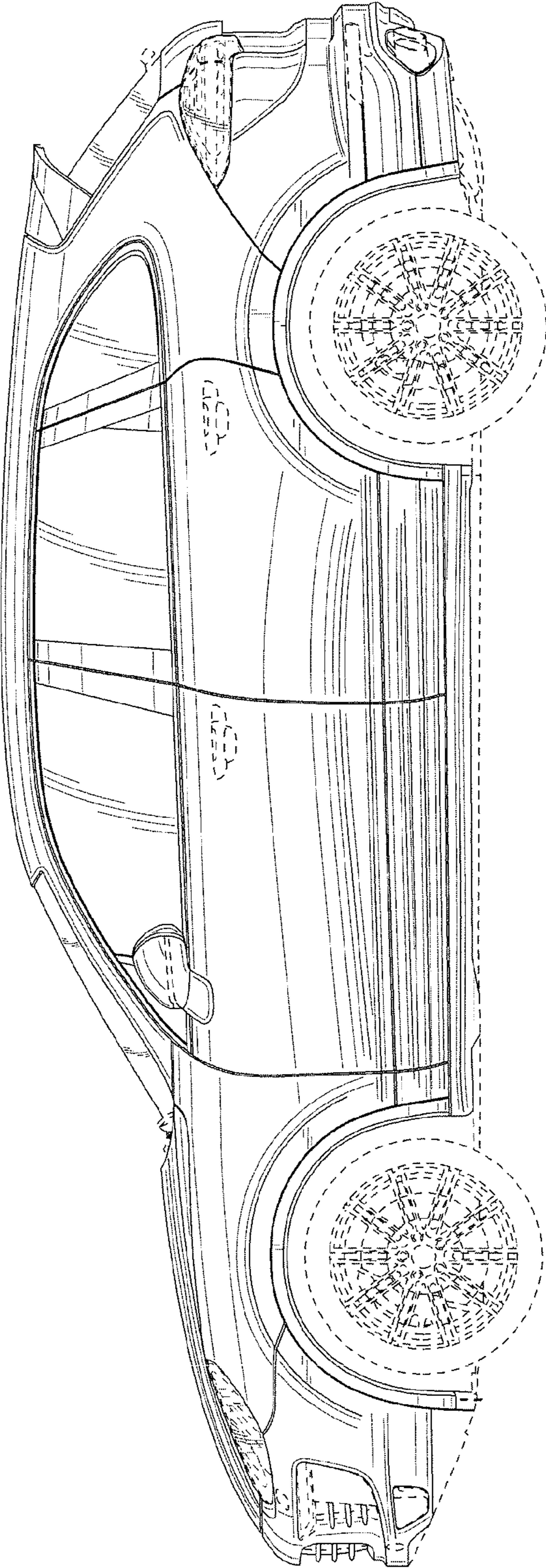


FIG. 6

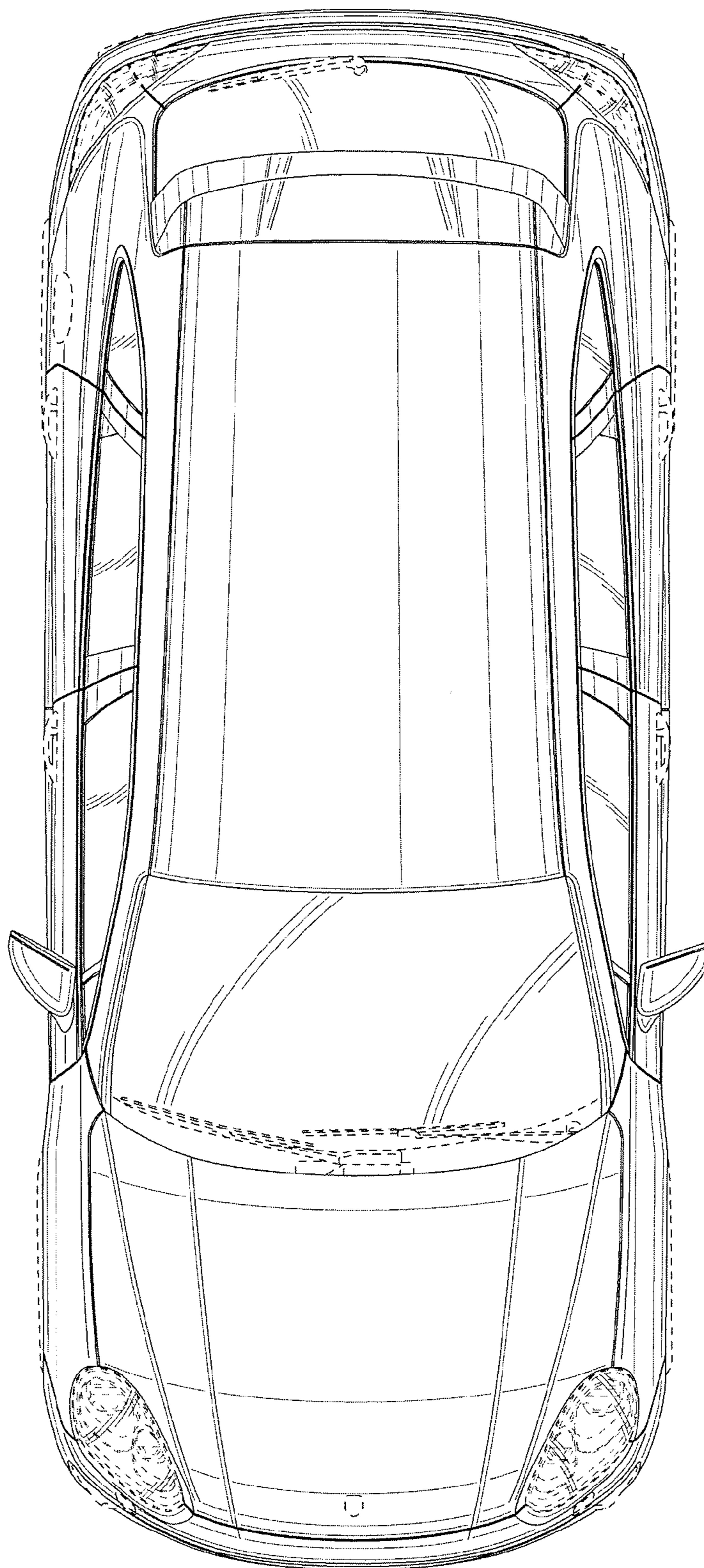


FIG. 7