



US00D712786S

(12) **United States Design Patent**
Burkatovskiy

(10) **Patent No.:** **US D712,786 S**

(45) **Date of Patent:** **** Sep. 9, 2014**

(54) **MILITARY VEHICLE**

(75) Inventor: **Sergey Burkatovskiy**, Minsk (BY)

(73) Assignee: **Wargaming.net LLP**, London (GB)

(**) Term: **14 Years**

(21) Appl. No.: **29/427,959**

(22) Filed: **Jul. 24, 2012**

(51) **LOC (10) Cl.** **12-13**

(52) **U.S. Cl.**
USPC **D12/12**

(58) **Field of Classification Search**

CPC A63H 17/045
USPC D12/1, 4, 12, 14, 400, 195; D21/539,
D21/557, 427, 533, 833, 580, 631; 446/88,
446/430, 433, 470, 429, 465, 175;
D23/215; 180/9.1; 296/24.4; 37/347;
89/36.08, 36.13, 41.02

See application file for complete search history.

(56) **References Cited**

U.S. PATENT DOCUMENTS

2,389,579	A *	11/1945	Reynolds	180/9.1
2,551,109	A *	5/1951	Fornary	446/435
D169,229	S *	3/1953	Tober	D21/833
2,705,378	A *	4/1955	Wendt	37/347
D191,793	S *	11/1961	Alvaney	D21/539
3,065,569	A *	11/1962	Nielsen et al.	446/88
3,269,269	A *	8/1966	Kunze	89/36.08
3,429,222	A *	2/1969	Flannery et al.	89/41.02
3,602,088	A *	8/1971	Spring	89/36.13
3,869,825	A *	3/1975	Heberlein	446/433
D258,223	S *	2/1981	Itakura	D21/539
4,458,444	A *	7/1984	Avery et al.	446/433
D275,271	S *	8/1984	LeBlanc	D12/12
D283,881	S *	5/1986	LeBlanc	D12/12
D290,630	S *	6/1987	Kitamura	D21/580
D311,040	S *	10/1990	Kunihiro	D21/631
5,284,082	A *	2/1994	Sprafke et al.	89/36.13

5,311,807	A *	5/1994	Ruttgerodt	89/36.08
D354,721	S *	1/1995	Bortoli et al.	D12/12
D425,140	S *	5/2000	Bao	D21/539
6,224,454	B1 *	5/2001	Cheng et al.	446/175
D481,443	S *	10/2003	Duncan et al.	D23/215
D519,577	S *	4/2006	Hayashi	D21/539
D641,431	S *	7/2011	Cooksey	D21/539
D678,426	S *	3/2013	Lee	D21/552
2004/0183322	A1 *	9/2004	Baus et al.	296/24.4

OTHER PUBLICATIONS

World of Tanks, World of Tanks official forum, Jun. 11, 2012 06:01 PM , Wargaming.net (online), <http://forum.worldoftanks.eu/index.php?topic/123054-e-50-ausf-m/>.
"Tankopedia", World of Tanks, downloaded on Jul. 24, 2012, from <http://worldoftanks.com/encyclopedia/vehicles/>.
Medium Tank: E-50", World of Tanks, downloaded on Jul. 24, 2012, from <http://worldoftanks.com/encyclopedia/vehicles/gernany/e-50/>.

* cited by examiner

Primary Examiner — Deanna L Pratt

Assistant Examiner — Harold Blackwell, II

(74) *Attorney, Agent, or Firm* — Banner & Witcoff, Ltd.

(57) **CLAIM**

The ornamental design for a military vehicle, as shown and described.

DESCRIPTION

FIG. 1 is a perspective view showing a design of a military vehicle.

FIG. 2 is a top view of the design.

FIG. 3 is bottom view of the design.

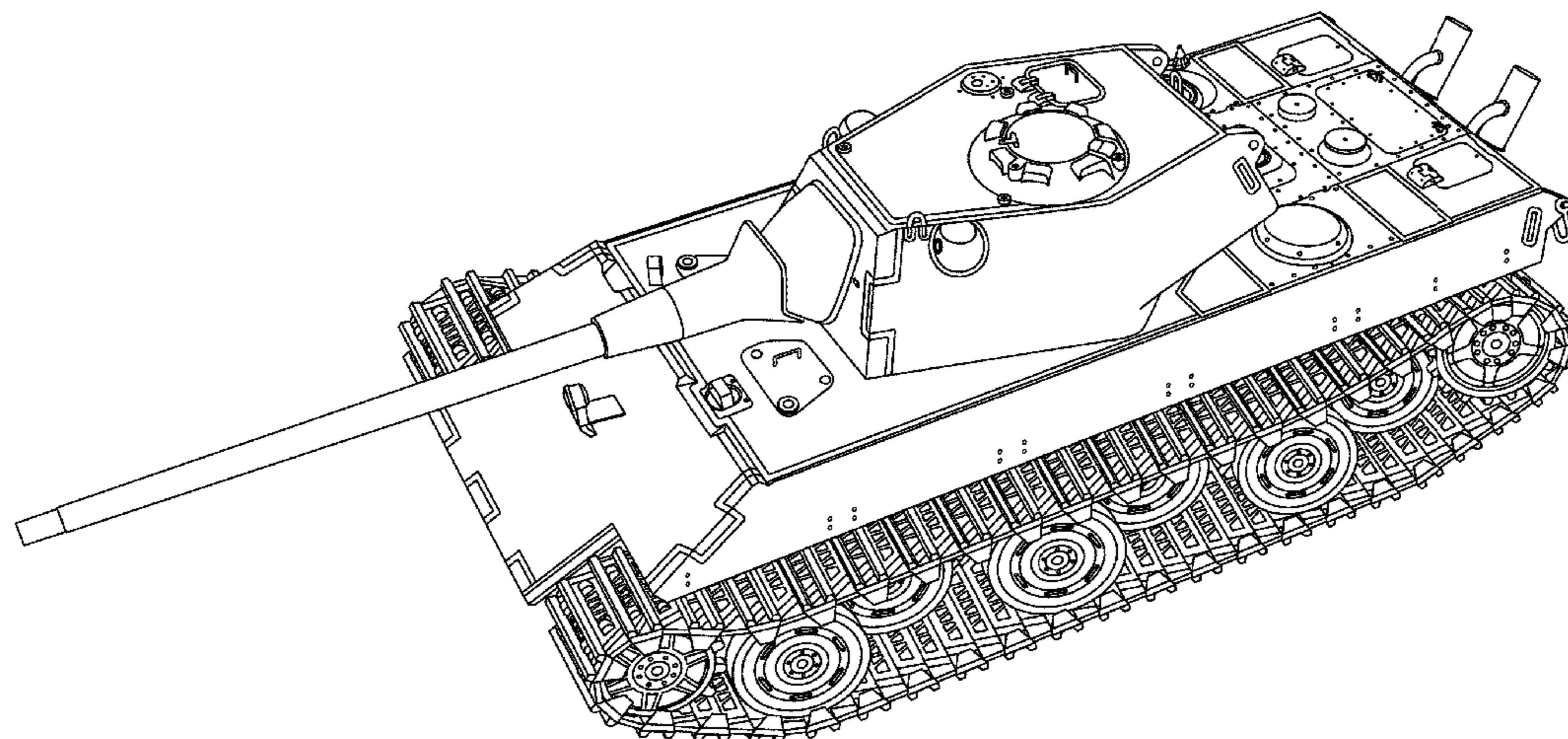
FIG. 4 is a left side view of the design.

FIG. 5 is a right side view of the design.

FIG. 6 is a front view of the design; and,

FIG. 7 is a rear view of the design.

1 Claim, 6 Drawing Sheets



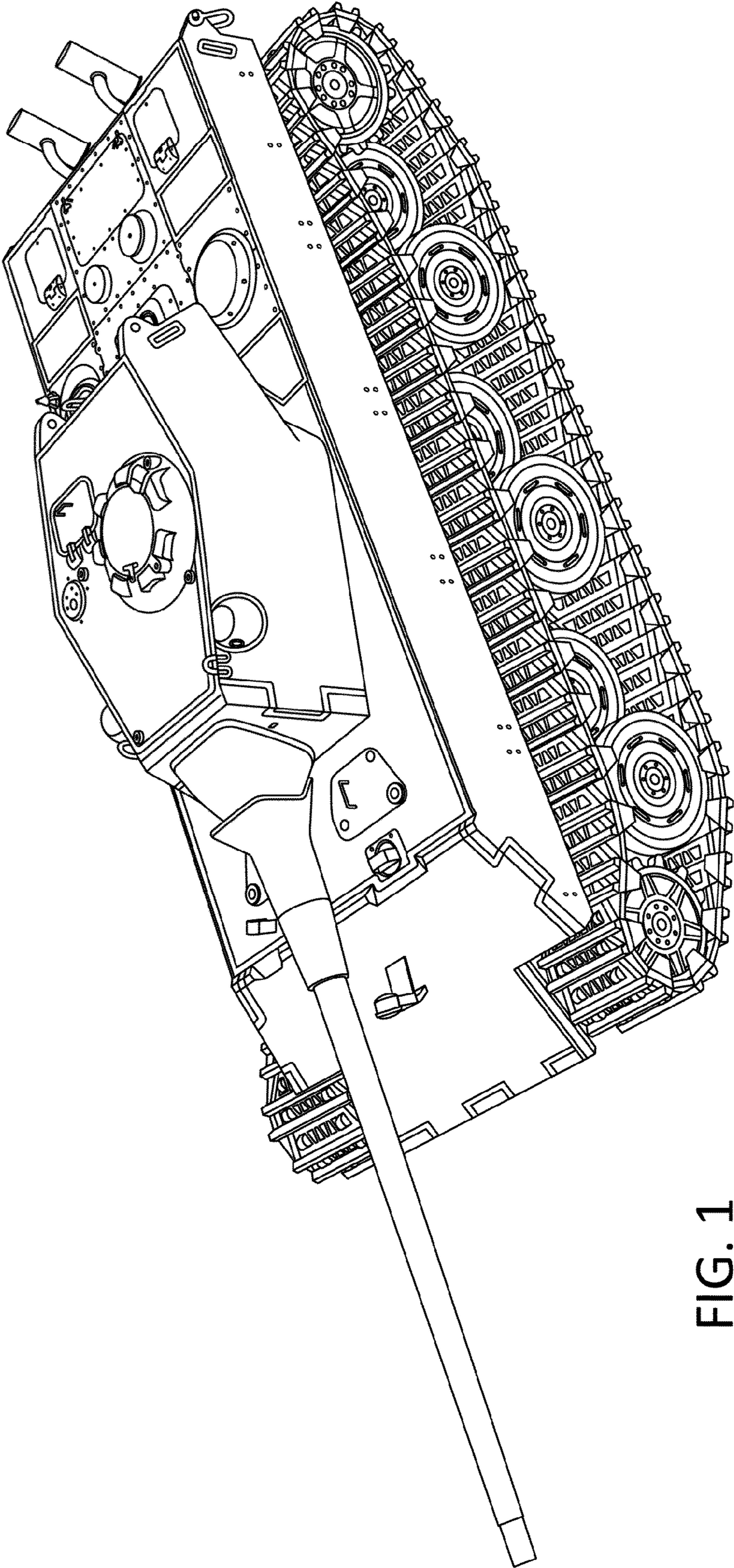


FIG. 1

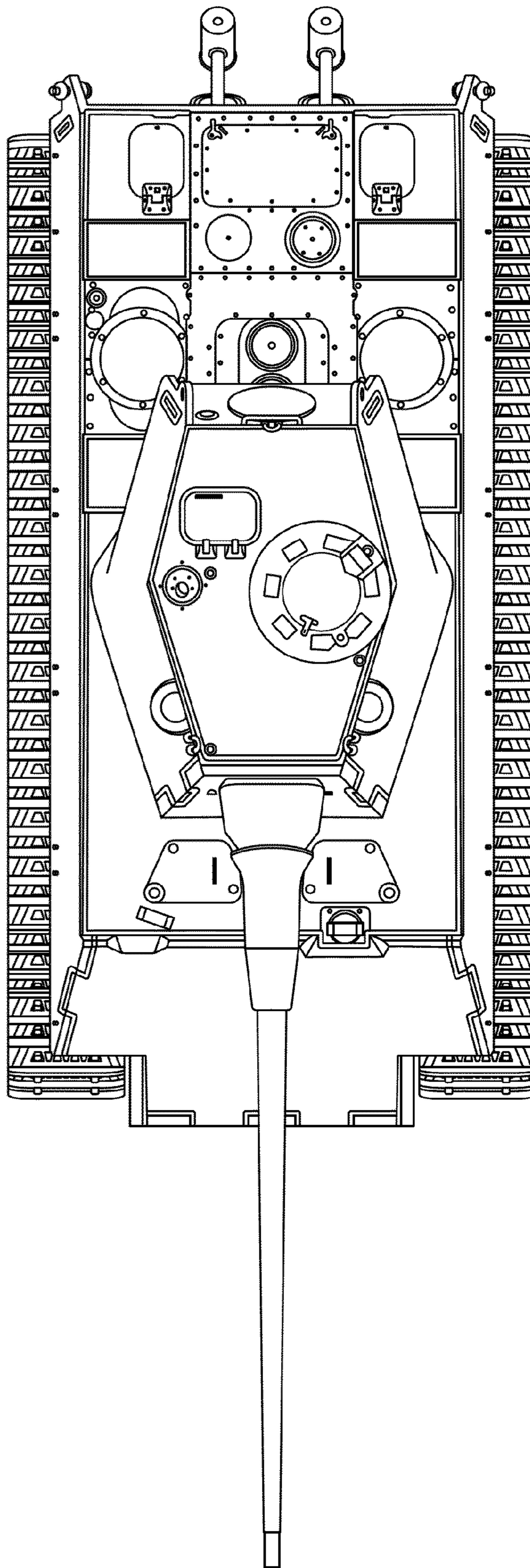


FIG. 2

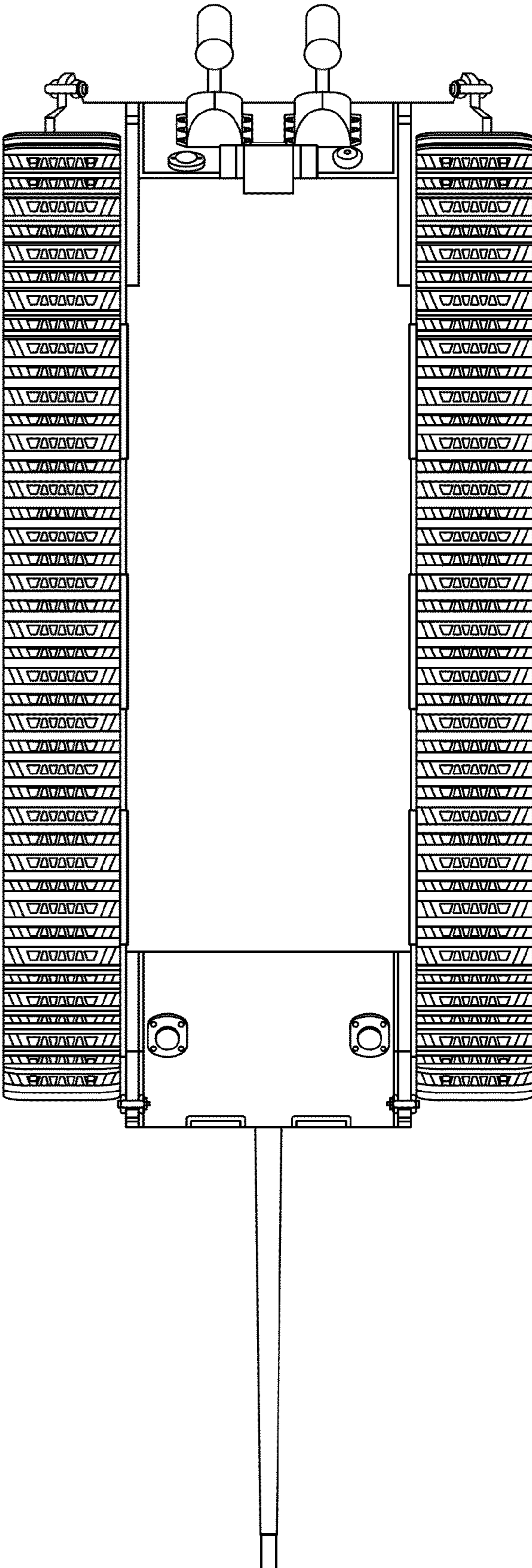


FIG. 3

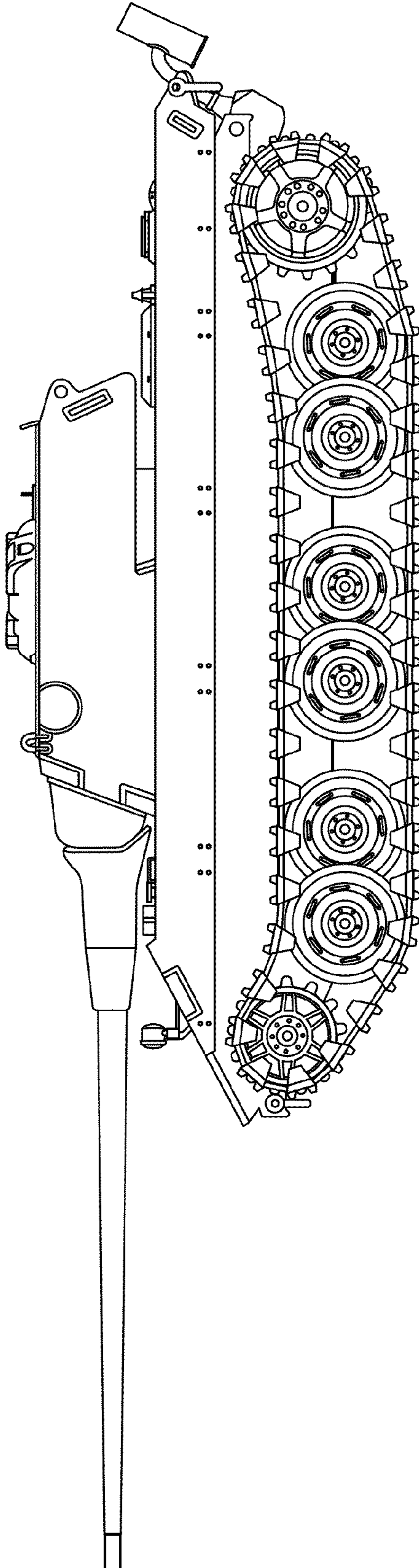


FIG. 4

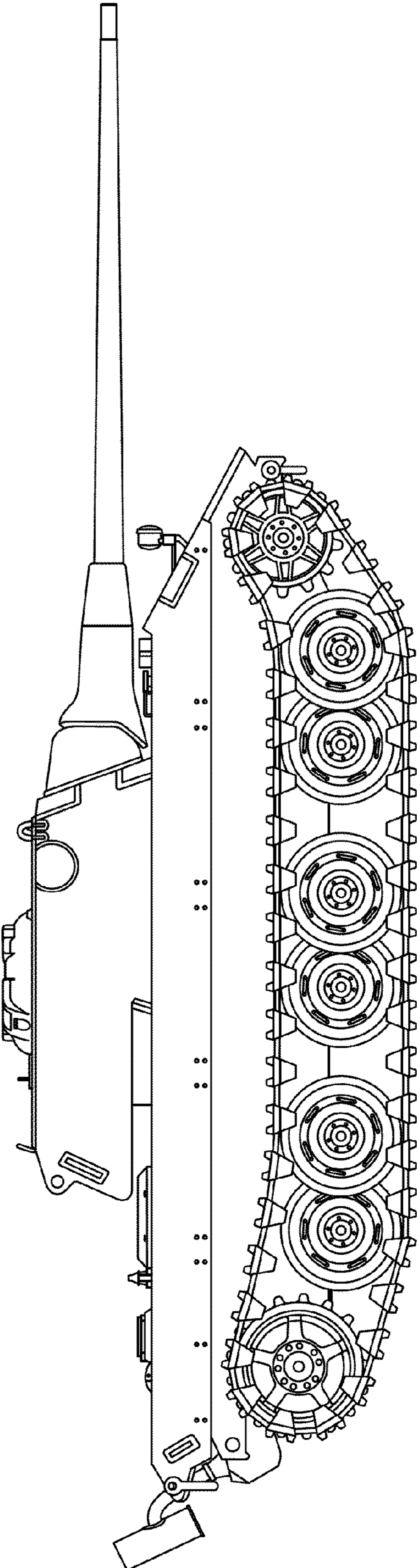


FIG. 5

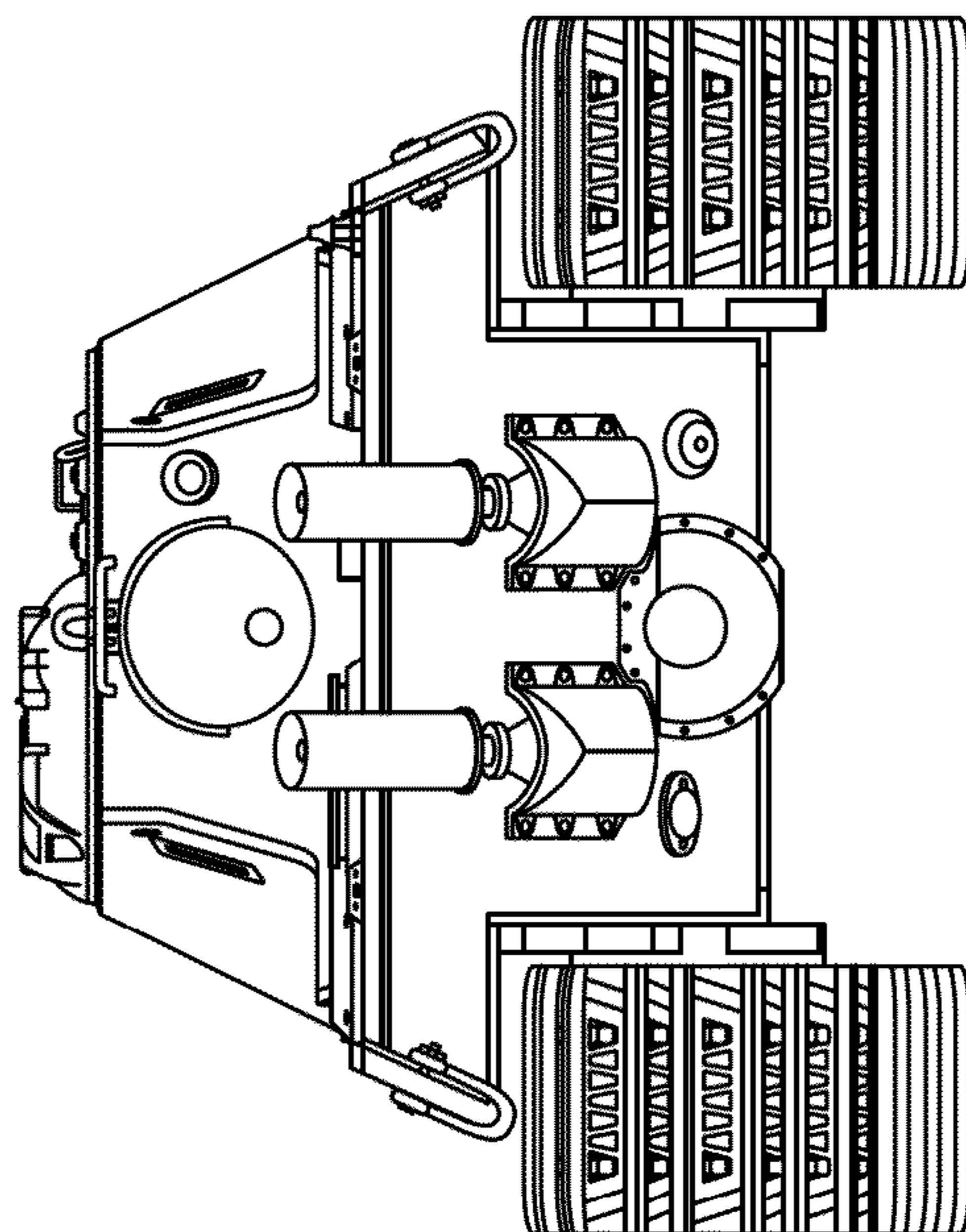


FIG. 7

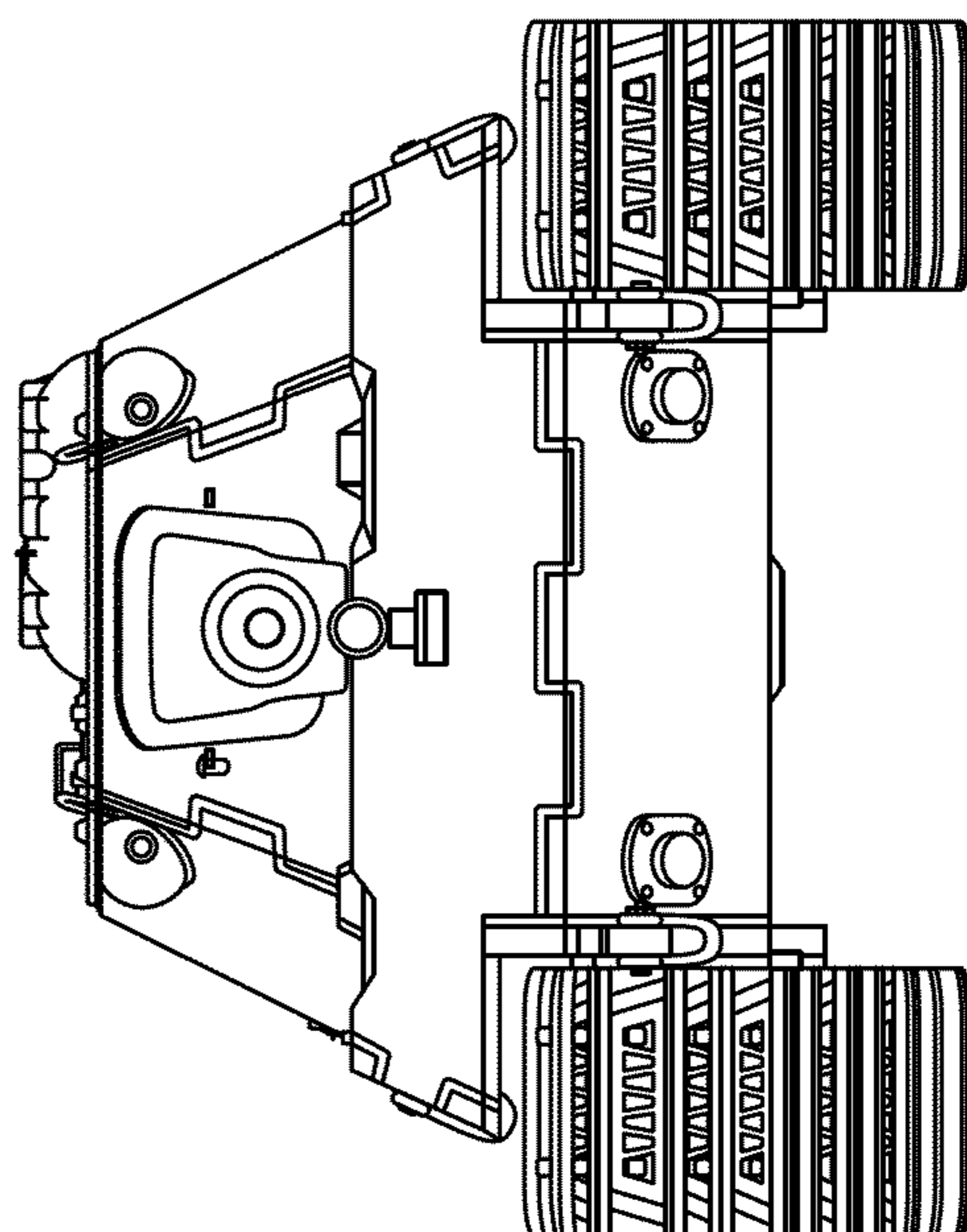


FIG. 6