



US00D712778S

(12) **United States Design Patent**
Kuiawa

(10) **Patent No.:** **US D712,778 S**

(45) **Date of Patent:** **** Sep. 9, 2014**

(54) **HEXAGONAL EAR GAUGE**

(71) Applicant: **David Kuiawa**, Jefferson Hills, PA (US)

(72) Inventor: **David Kuiawa**, Jefferson Hills, PA (US)

(**) Term: **14 Years**

(21) Appl. No.: **29/446,400**

(22) Filed: **Feb. 22, 2013**

(51) **LOC (10) Cl.** **11-01**

(52) **U.S. Cl.**
USPC **D11/40**

(58) **Field of Classification Search**
USPC D11/40-51, 70, 1, 79-85; 63/12, 13,
63/14.1-14.8, 1.11, 1.18, 20, 23, 26, 27,
63/290; D7/672, 675; D15/139; D8/98,
D8/100; D19/72

See application file for complete search history.

(56) **References Cited**

U.S. PATENT DOCUMENTS

5,018,365	A *	5/1991	Luceno	63/12
D332,568	S *	1/1993	Ozawa	D8/397
D375,703	S *	11/1996	Lowe et al.	D11/88
D592,471	S *	5/2009	Rosko	D8/28
D640,158	S *	6/2011	Siedler et al.	D11/40
D640,716	S *	6/2011	Takahashi et al.	D15/139
D641,278	S *	7/2011	Siedler et al.	D11/40
D643,766	S *	8/2011	Siedler et al.	D11/1
D651,224	S *	12/2011	Takahashi et al.	D15/139
D668,986	S *	10/2012	Friedman	D11/41
8,443,626	B2 *	5/2013	Simpson et al.	63/12

OTHER PUBLICATIONS

[Online] <http://i01.i.aliimg.com/wsphoto/v0/541055893/Mxing-sizes-Black-Hexagon-Ear-plug-Flesh-Tunnel-body-piercing-jewelry-body-jewelry-FLETNL0368.jpg>. Accessed Jan. 21, 2014.*

[Online] <http://www.bodyjewelrysource.com/media/catalog/product/cache/1/image/9df78eab33525d08d6e5fb8d27136e95/s/t/stainless-steel-hexagon-magnum-ear-tunnels.jpg>. Accessed Jan. 21, 2014.*

[Online] http://thumbs2.ebaystatic.com/d/I225/pict/270951832509_3.jpg. Accessed Jan. 21, 2014.*

[Online] http://ecx.images-amazon.com/images/I/41vsb9UjEwL._SX190_CR0,0,190,246_.jpg. Accessed Jan. 21, 2014.*

* cited by examiner

Primary Examiner — Garth Rademaker

Assistant Examiner — Melanie Pellegrini

(74) *Attorney, Agent, or Firm* — Paul D. Bangor, Jr.; Clark Hill PLC

(57) **CLAIM**

The ornamental design for a hexagonal ear gauge, as shown and described.

DESCRIPTION

FIG. 1 is a front elevational view of a hexagonal ear gauge showing my new design;

FIG. 2 is a top plan view thereof;

FIG. 3 is a left side elevational view thereof;

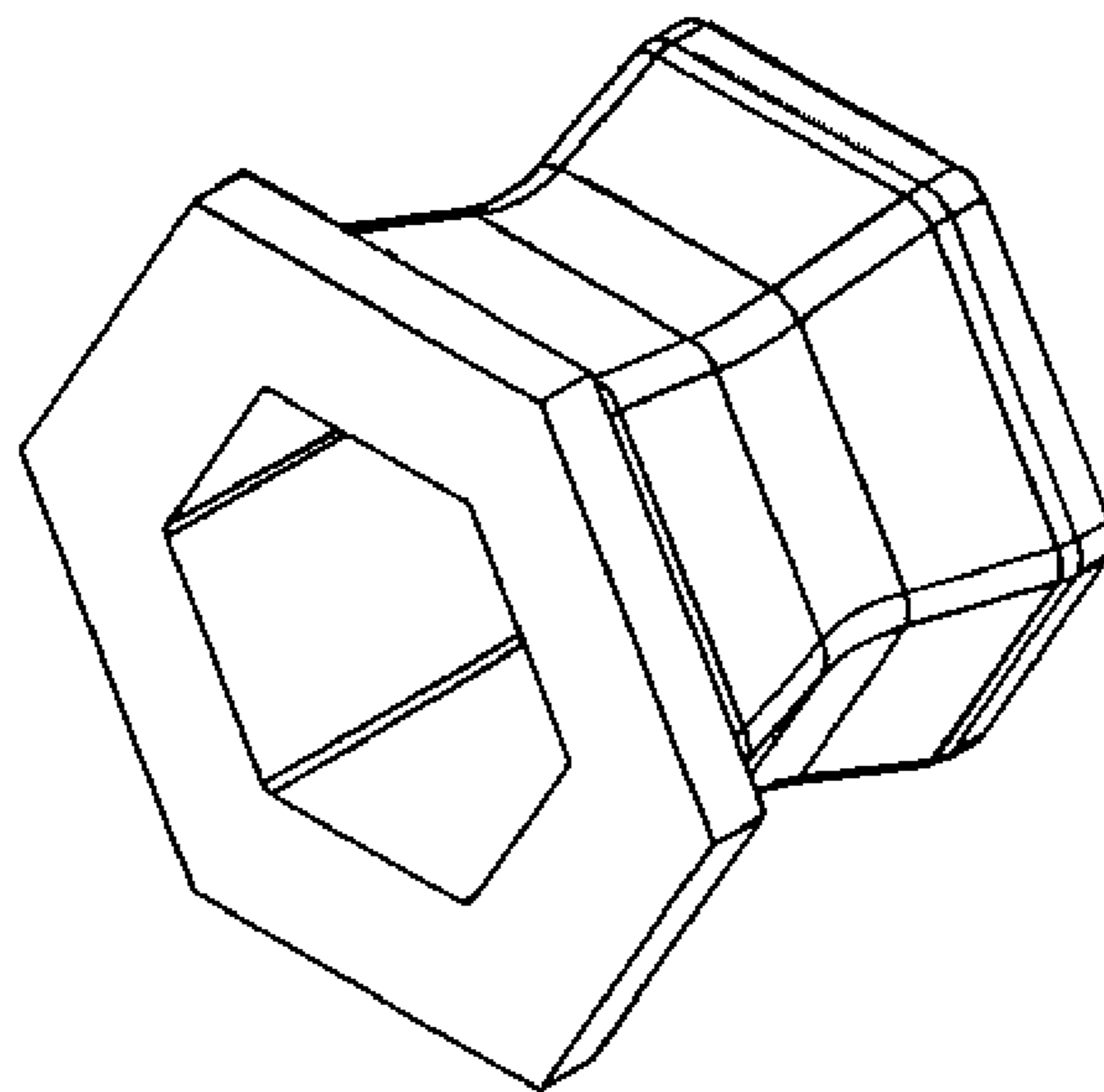
FIG. 4 is a right side elevational view thereof;

FIG. 5 is a bottom plan view thereof;

FIG. 6 is a front and right side perspective view thereof; and,

FIG. 7 is a rear elevational view thereof.

1 Claim, 2 Drawing Sheets



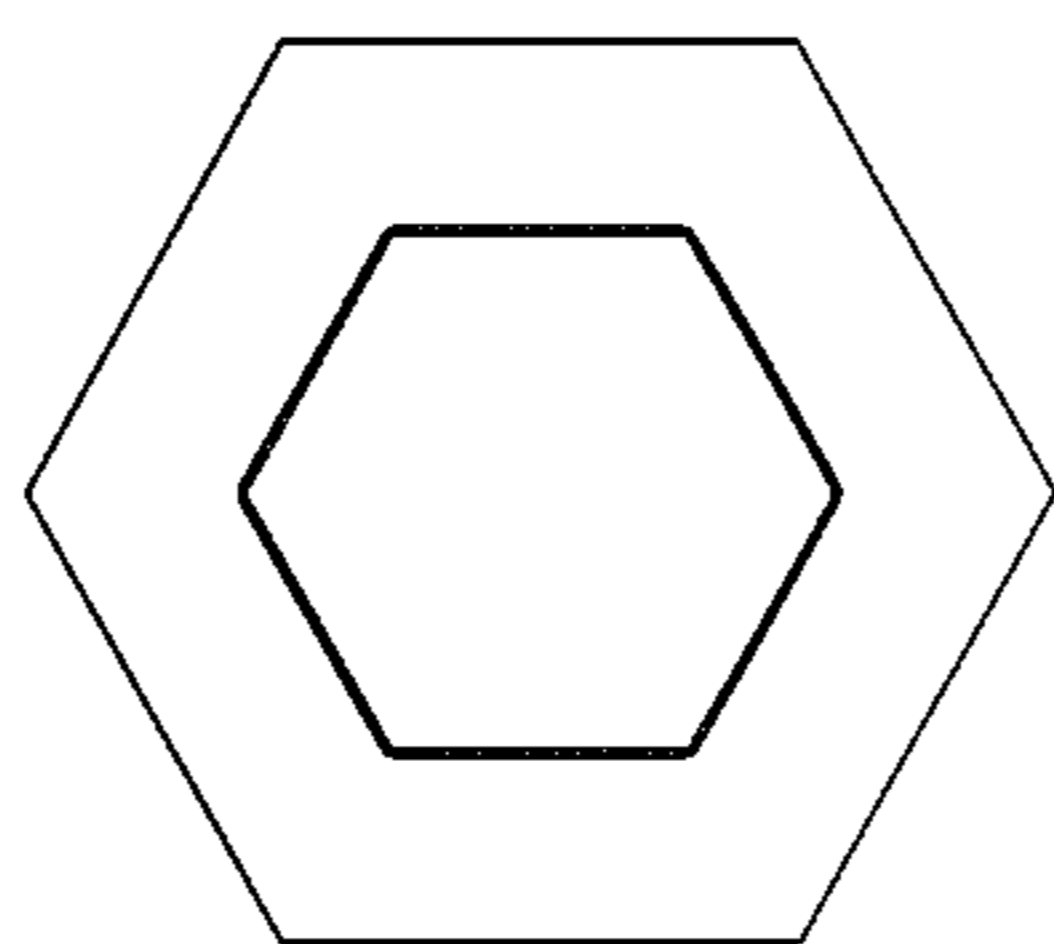


FIG 1

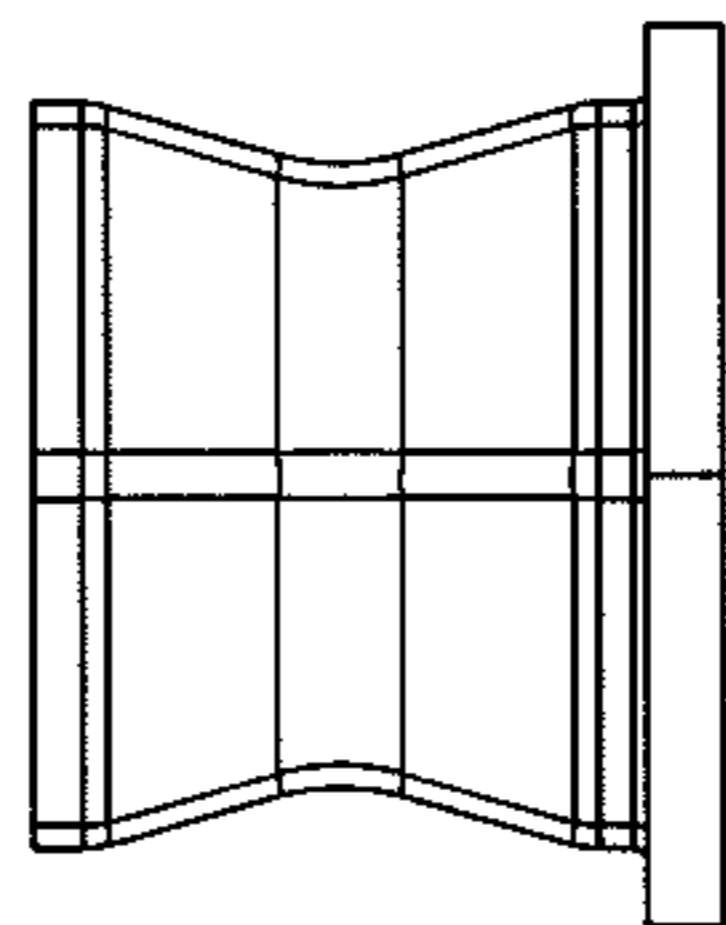


FIG 2

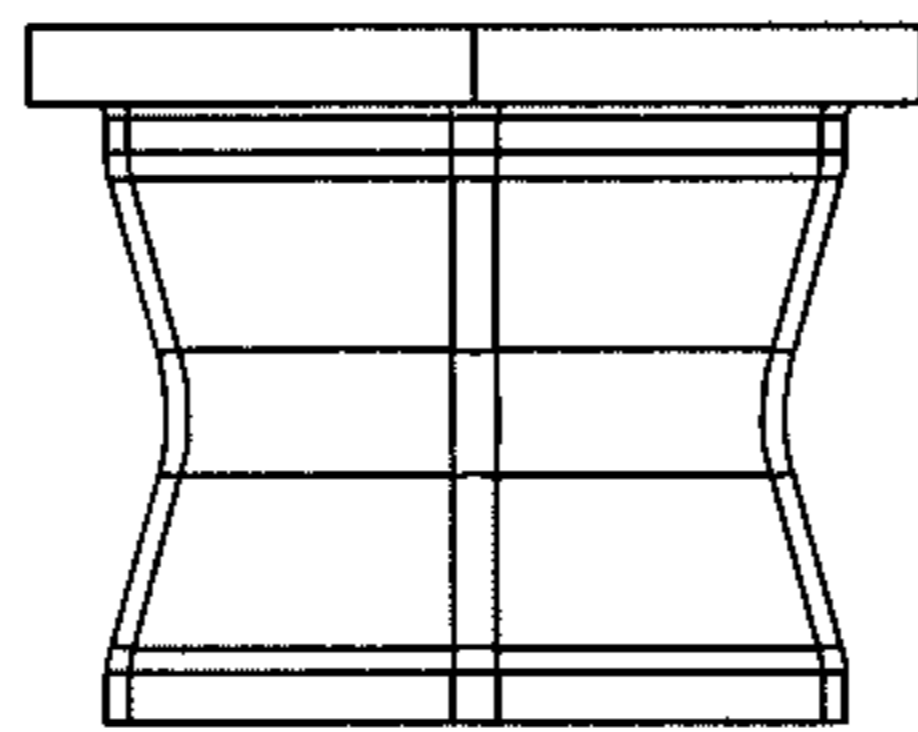


FIG 3

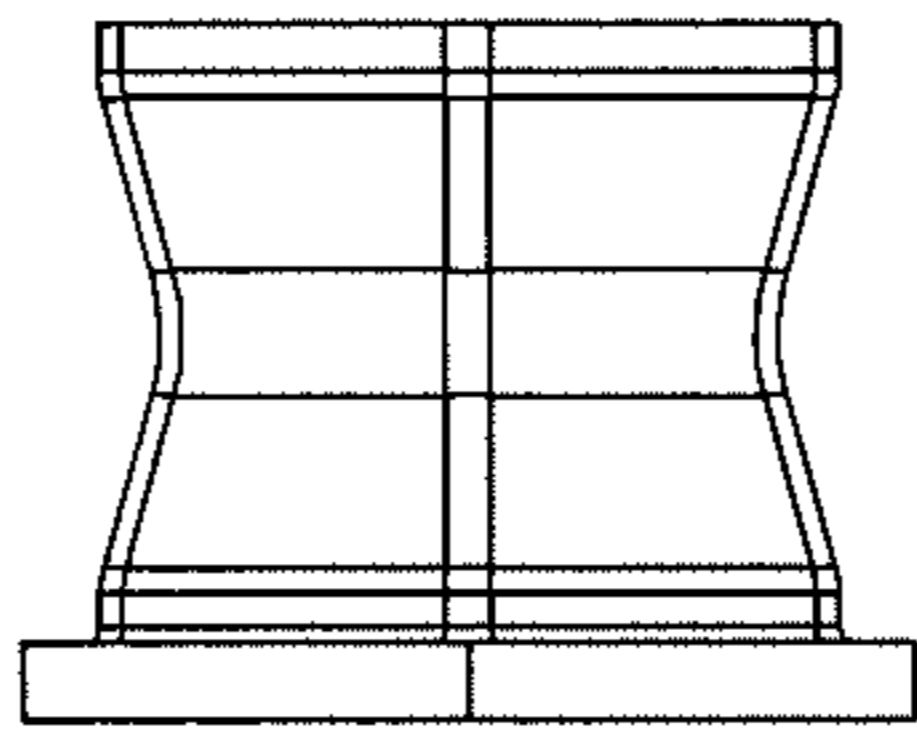


FIG 4

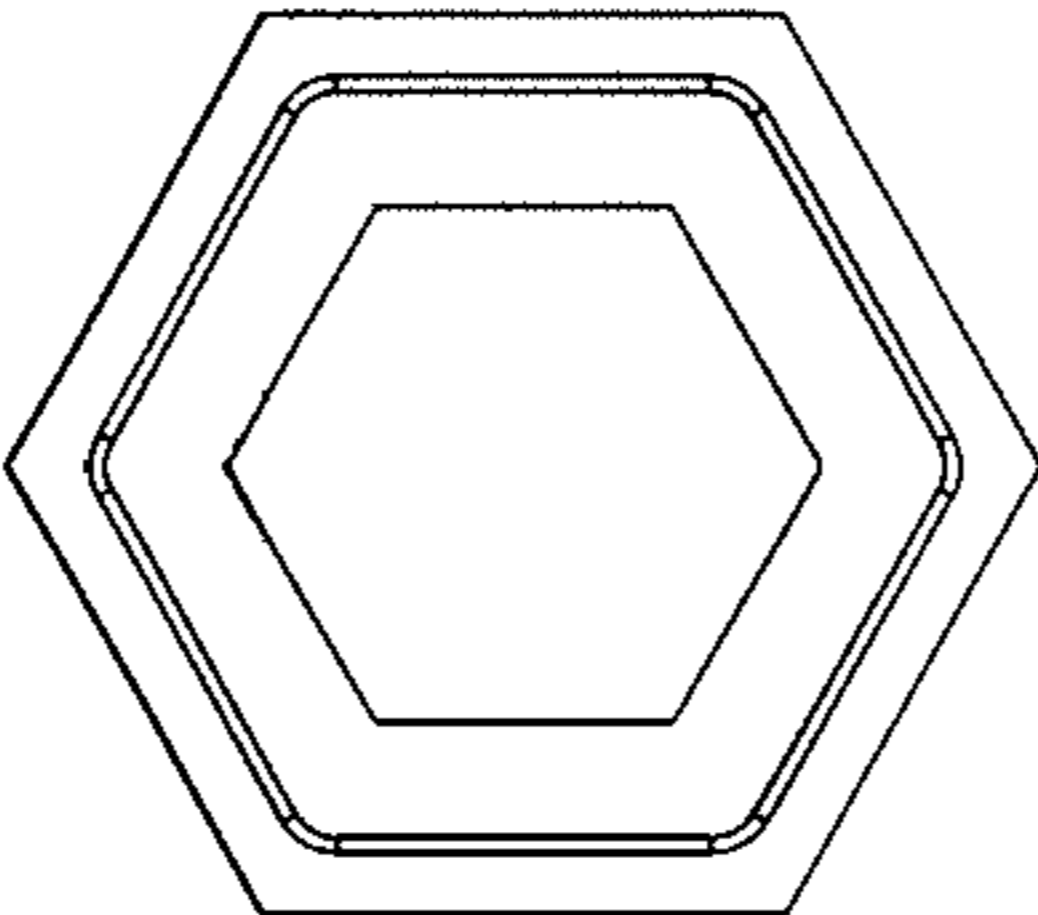


FIG 7

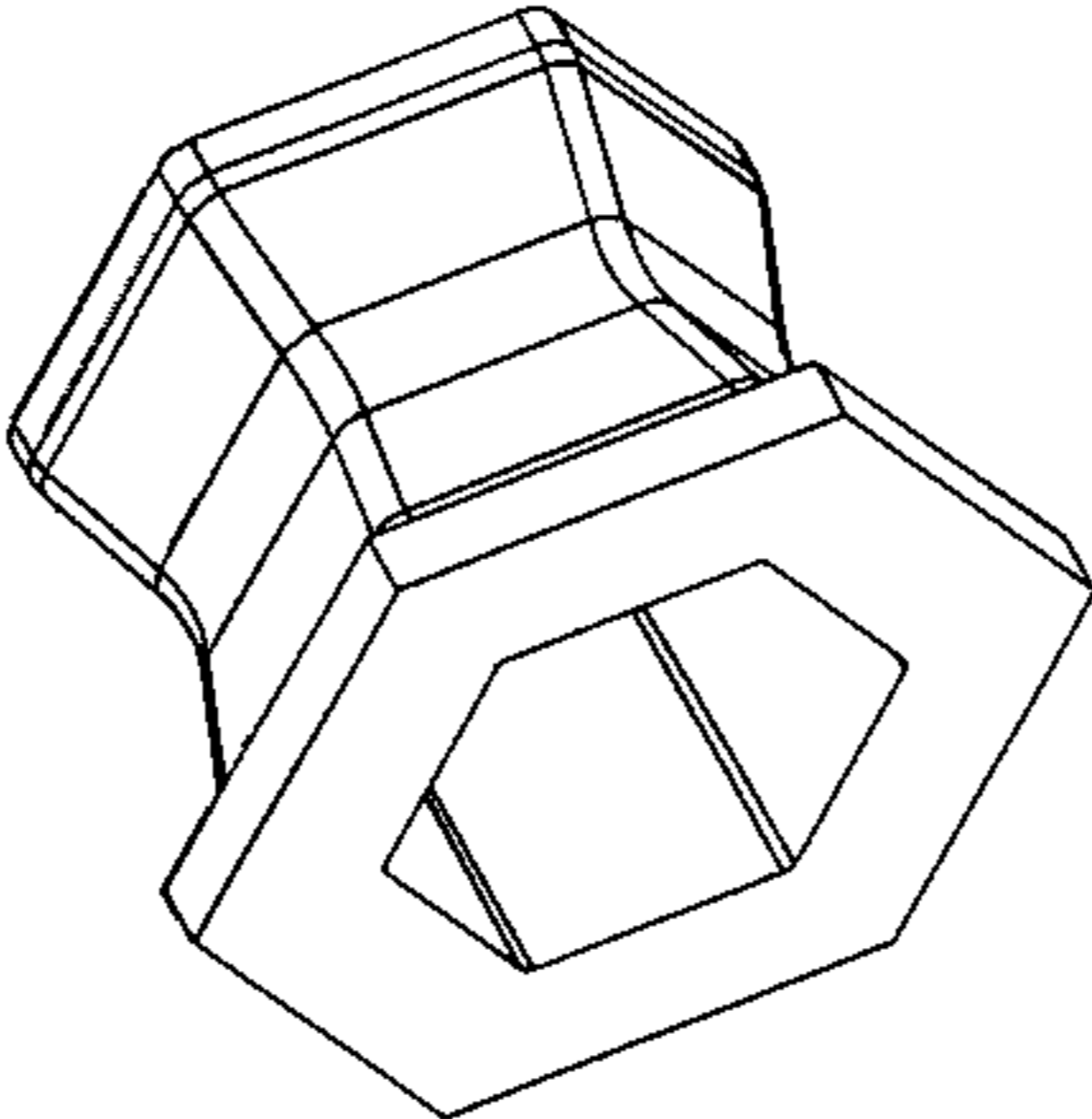


FIG 6

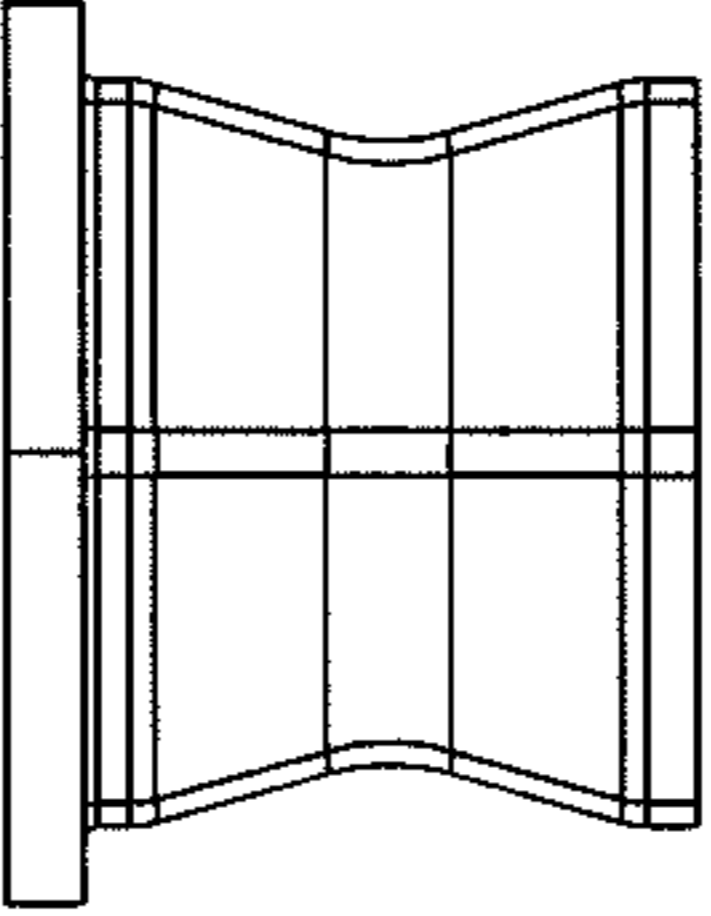


FIG 5