



US00D712777S

(12) **United States Design Patent**  
**Kuiawa**

(10) **Patent No.:** **US D712,777 S**  
(45) **Date of Patent:** **\*\* Sep. 9, 2014**

(54) **PENTAGONAL EAR GAUGE**

(71) Applicant: **David Kuiawa**, Jefferson Hills, PA (US)

(72) Inventor: **David Kuiawa**, Jefferson Hills, PA (US)

(\*\*) Term: **14 Years**

(21) Appl. No.: **29/446,398**

(22) Filed: **Feb. 22, 2013**

(51) **LOC (10) Cl.** ..... **11-01**

(52) **U.S. Cl.**  
USPC ..... **D11/40**

(58) **Field of Classification Search**  
USPC ..... D11/40-51, 70, 1, 79-85; 63/12, 13,  
63/14.1-14.8, 1.11, 1.18, 20, 23, 26, 27,  
63/290; D7/672, 675; D15/139; D8/98,  
D8/100; D19/72

See application file for complete search history.

(56) **References Cited**

**U.S. PATENT DOCUMENTS**

5,018,365	A *	5/1991	Luceno	63/12
D332,568	S *	1/1993	Ozawa	D8/397
D375,703	S *	11/1996	Lowe et al.	D11/88
D592,471	S *	5/2009	Rosko	D8/28
D640,158	S *	6/2011	Siedler et al.	D11/40
D640,716	S *	6/2011	Takahashi et al.	D15/139
D641,278	S *	7/2011	Siedler et al.	D11/40
D643,766	S *	8/2011	Siedler et al.	D11/1
D651,224	S *	12/2011	Takahashi et al.	D15/139
D668,986	S *	10/2012	Friedman	D11/41
8,443,626	B2 *	5/2013	Simpson et al.	63/12
D684,455	S *	6/2013	Relyea et al.	D8/397

**OTHER PUBLICATIONS**

[Online] [http://static.wixstatic.com/media/7f9bd1\\_6cab3408f6b1736e47c15a724ad539dc.png\\_srz\\_249\\_96\\_85\\_22\\_0.50\\_1.20\\_0.00\\_png\\_srz](http://static.wixstatic.com/media/7f9bd1_6cab3408f6b1736e47c15a724ad539dc.png_srz_249_96_85_22_0.50_1.20_0.00_png_srz). Accessed Jan. 21, 2014.\*  
[Online] [http://i00.i.aliimg.com/img/pb/281/973/486/486973281\\_093.jpg](http://i00.i.aliimg.com/img/pb/281/973/486/486973281_093.jpg). Accessed Jan. 21, 2014.\*  
[Online] [http://i01.i.aliimg.com/img/pb/605/973/486/486973605\\_032.jpg](http://i01.i.aliimg.com/img/pb/605/973/486/486973605_032.jpg). Accessed Jan. 21, 2014.\*  
[Online] [http://static.wixstatic.com/media/7f9bd1\\_60d434df81636b5adacb25a6e05f5cf2.png\\_srz\\_519\\_346\\_85\\_22\\_0.50\\_1.20\\_0.00\\_png\\_srz](http://static.wixstatic.com/media/7f9bd1_60d434df81636b5adacb25a6e05f5cf2.png_srz_519_346_85_22_0.50_1.20_0.00_png_srz). Accessed Jan. 21, 2014.\*

\* cited by examiner

*Primary Examiner* — Garth Rademaker  
*Assistant Examiner* — Melanie Pellegrini  
(74) *Attorney, Agent, or Firm* — Paul D. Bangor, Jr.; Clark Hill PLC

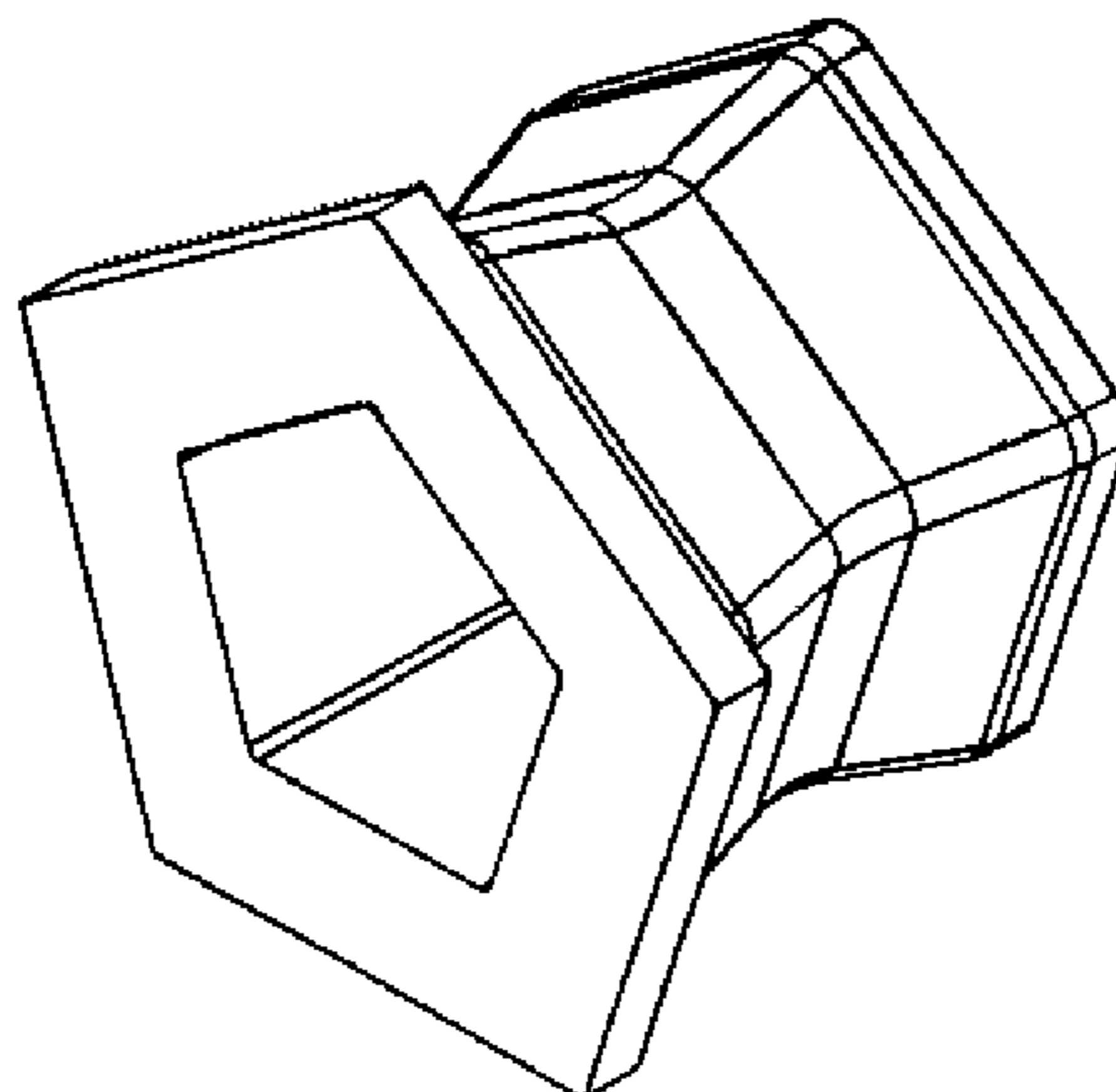
(57) **CLAIM**

The ornamental design for a pentagonal ear gauge, as shown and described.

**DESCRIPTION**

FIG. 1 is a front elevational view of a pentagonal ear gauge showing my new design;  
FIG. 2 is a top plan view thereof;  
FIG. 3 is a left side elevational view thereof;  
FIG. 4 is a right side elevational view thereof;  
FIG. 5 is a bottom plan view thereof;  
FIG. 6 is a front and right side perspective view thereof; and,  
FIG. 7 is a rear elevational view thereof.

**1 Claim, 2 Drawing Sheets**



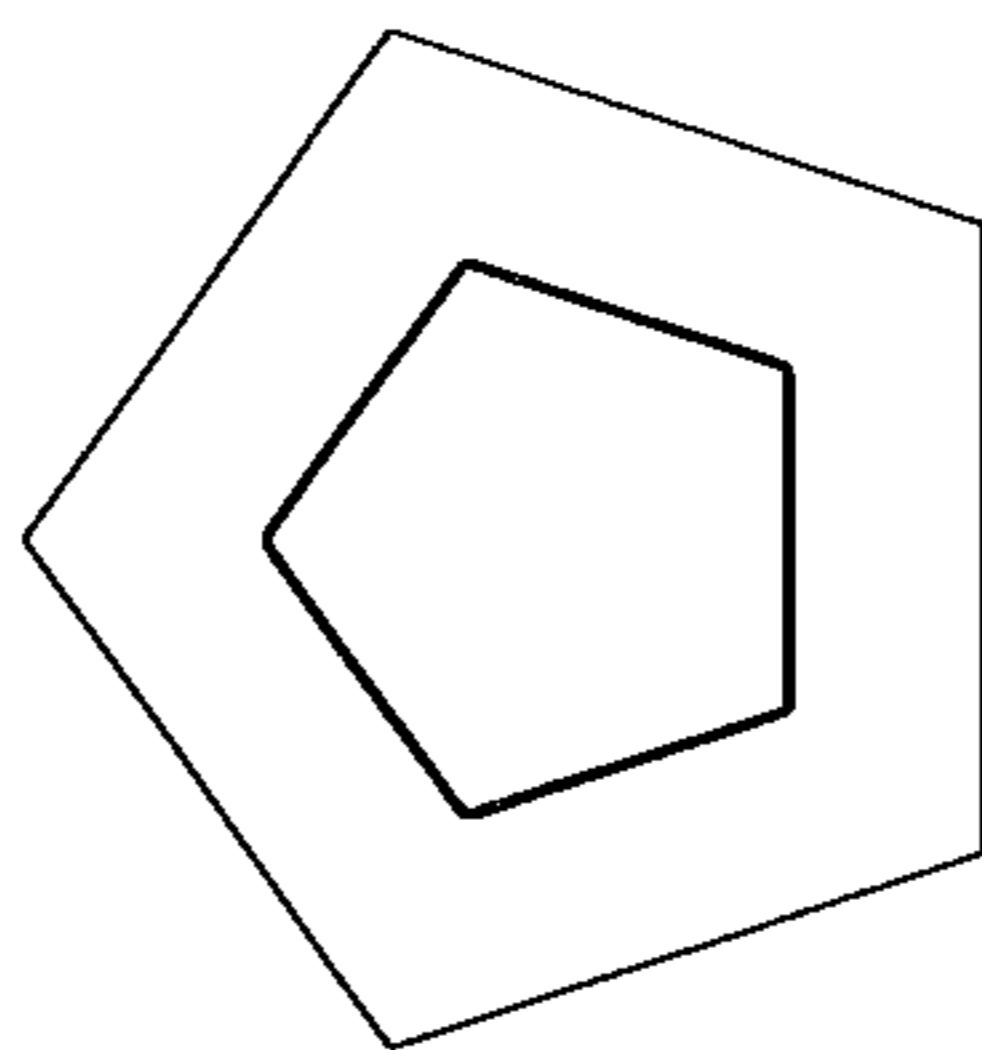


Fig 1

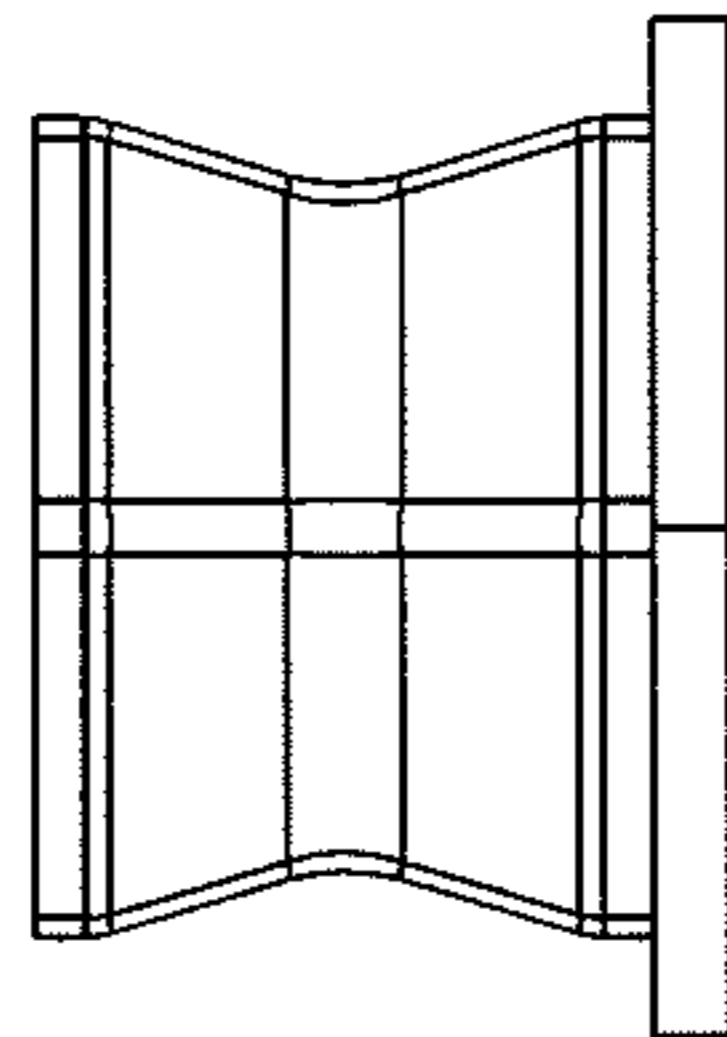


Fig 2

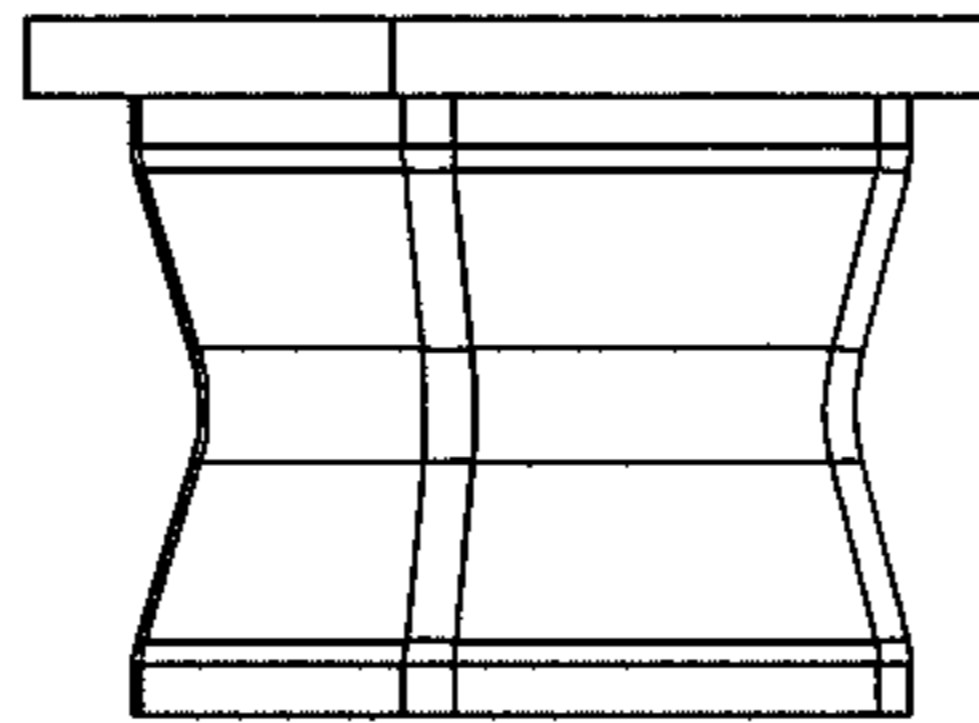


Fig 3

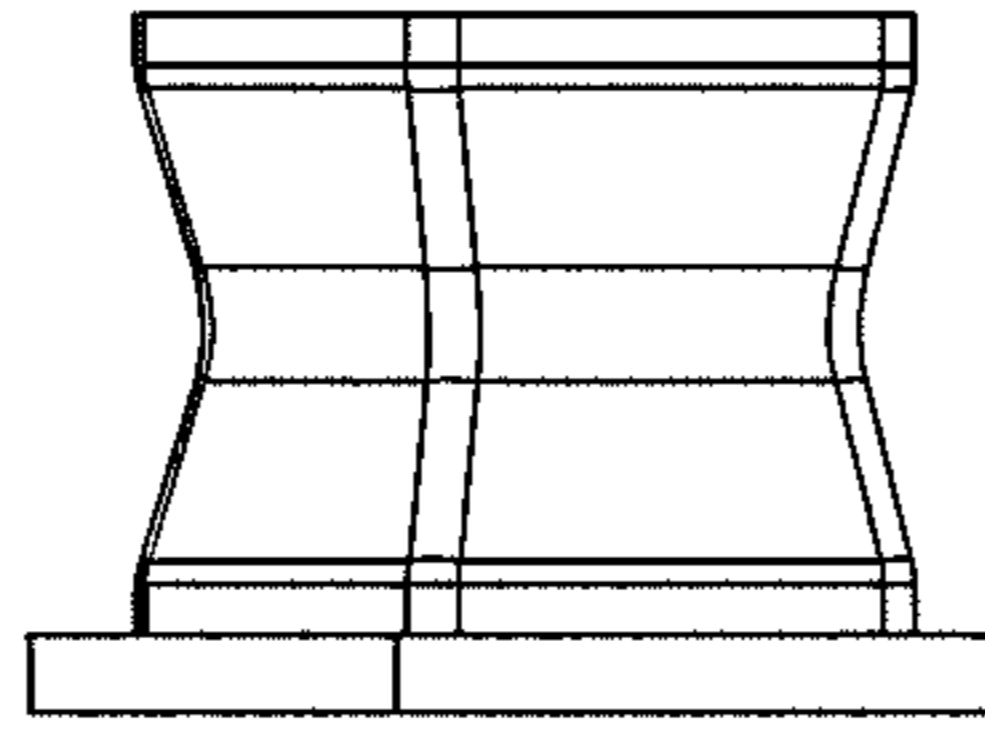


Fig 4

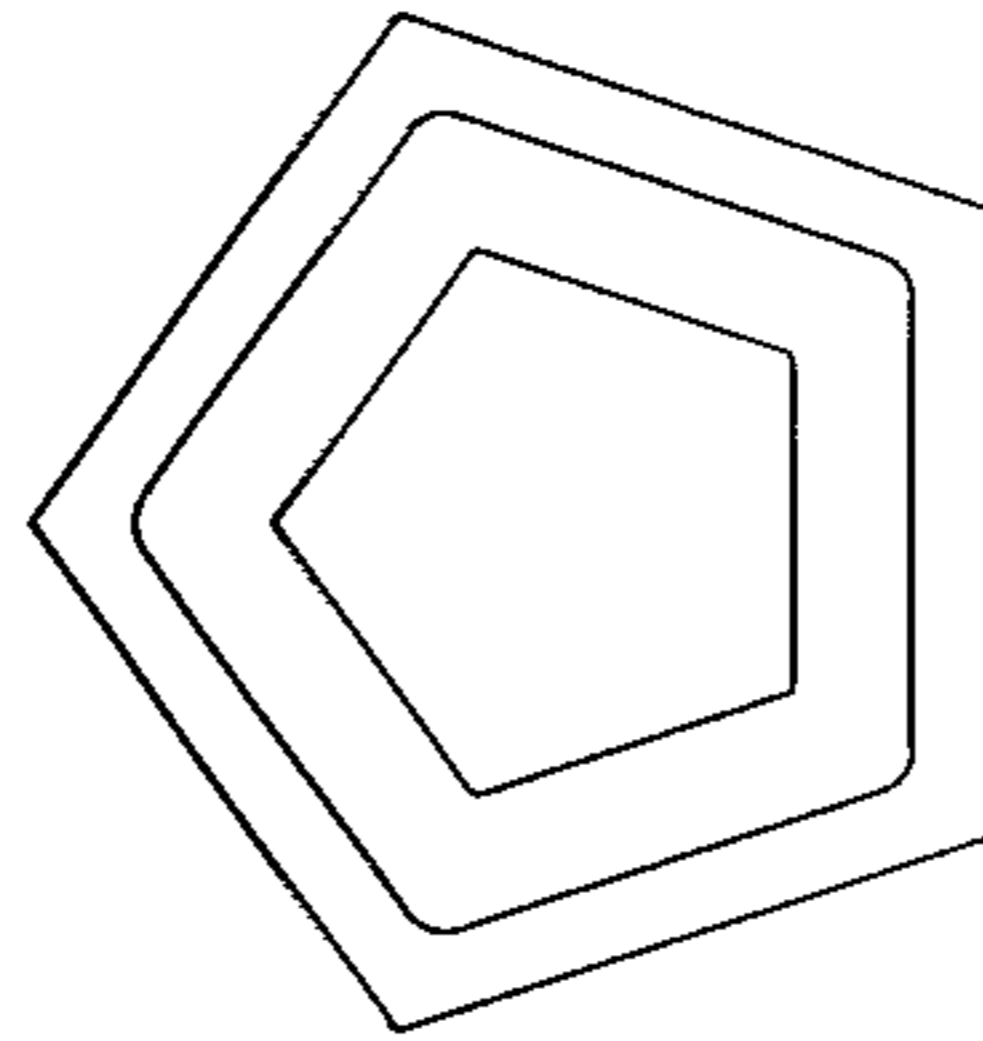


Fig 7

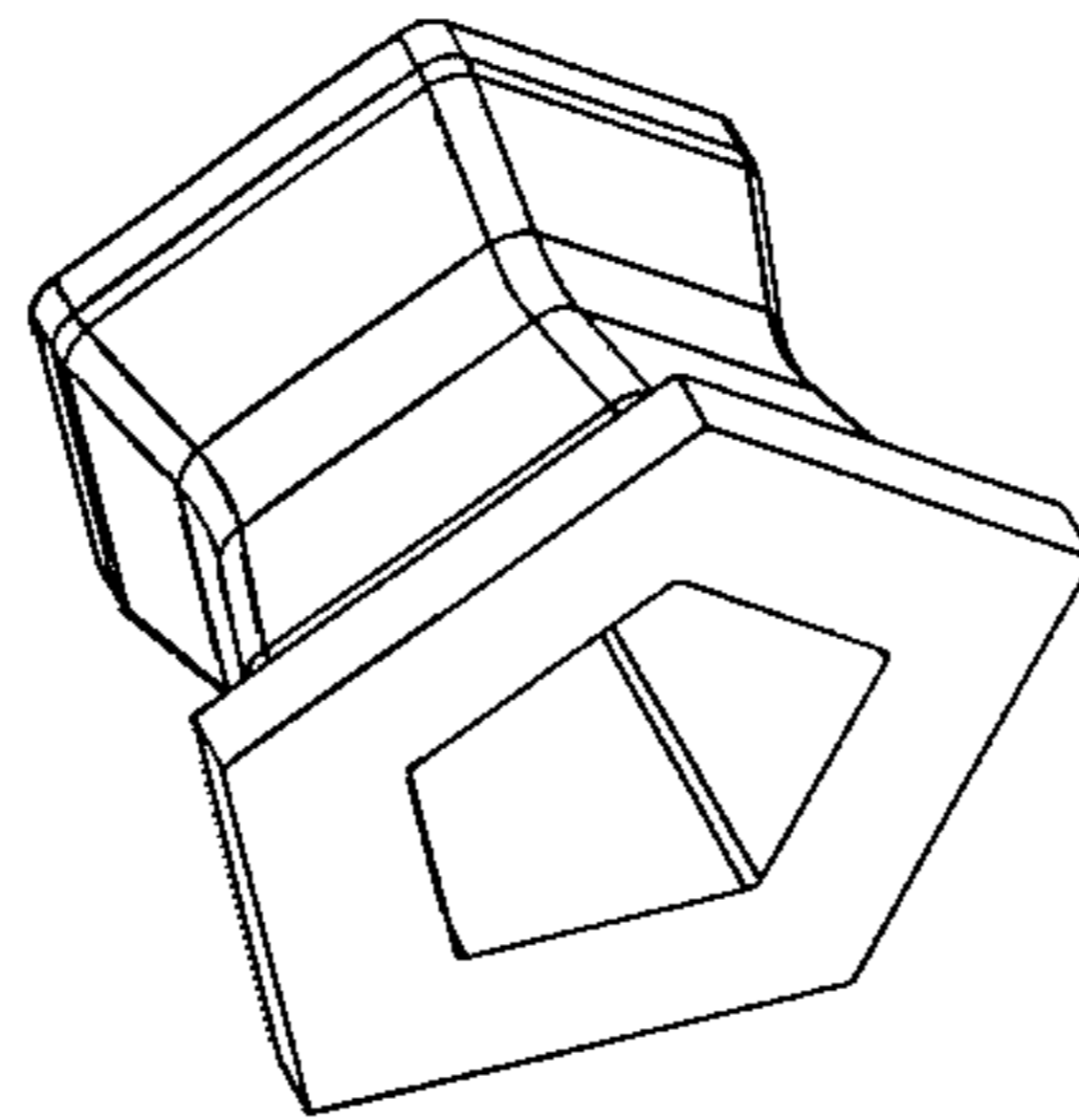


Fig 6

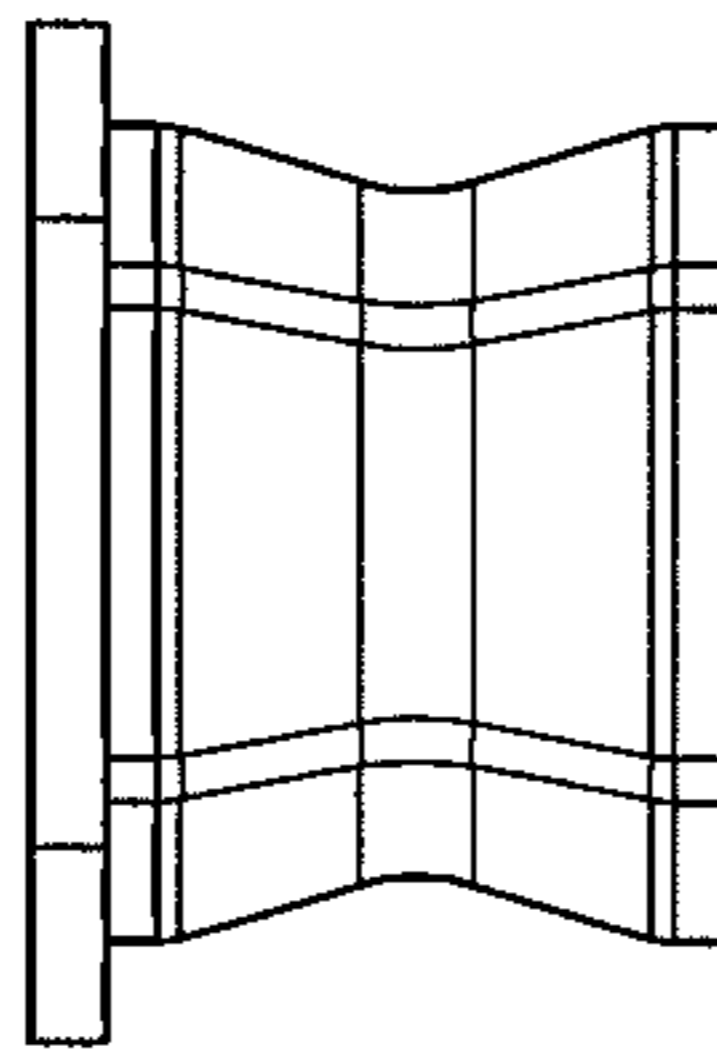


Fig 5