



US00D712776S

(12) **United States Design Patent**  
**Kuiawa**

(10) **Patent No.:** **US D712,776 S**  
(45) **Date of Patent:** **\*\* Sep. 9, 2014**

(54) **DIAMOND EAR GAUGE**  
(71) Applicant: **David Kuiawa**, Jefferson Hills, PA (US)  
(72) Inventor: **David Kuiawa**, Jefferson Hills, PA (US)  
(\*\*) Term: **14 Years**

(21) Appl. No.: **29/446,397**

(22) Filed: **Feb. 22, 2013**

(51) **LOC (10) Cl.** ..... **11-01**

(52) **U.S. Cl.**  
USPC ..... **D11/40**

(58) **Field of Classification Search**  
USPC ..... D11/40-51, 70, 1, 79-85; 63/12, 13,  
63/14.1-14.8, 1.11, 1.18, 20, 23, 26, 27,  
63/290; D7/672, 675; D15/139; D8/98,  
D8/100; D19/72

See application file for complete search history.

(56) **References Cited**

**U.S. PATENT DOCUMENTS**

D255,669 S \* 7/1980 Trupiano ..... D11/79  
5,018,365 A \* 5/1991 Luceno ..... 63/12  
5,941,589 A \* 8/1999 Perlman et al. .... 296/37.6  
D446,742 S \* 8/2001 Kharloubian ..... D11/79  
D481,328 S \* 10/2003 Chia et al. .... D11/91  
D640,158 S \* 6/2011 Siedler et al. .... D11/40

D641,278 S \* 7/2011 Siedler et al. .... D11/40  
D643,766 S \* 8/2011 Siedler et al. .... D11/1  
8,443,626 B2 \* 5/2013 Simpson et al. .... 63/12  
D684,455 S \* 6/2013 Relyea et al. .... D8/397

**OTHER PUBLICATIONS**

[Online] <https://www.etsy.com/listing/173663408/diamond-shaped-plugs>. Accessed Mar. 14, 2014.\*

\* cited by examiner

*Primary Examiner* — Garth Rademaker

*Assistant Examiner* — Melanie Pellegrini

(74) *Attorney, Agent, or Firm* — Paul D. Bangor, Jr.; Clark Hill PLC

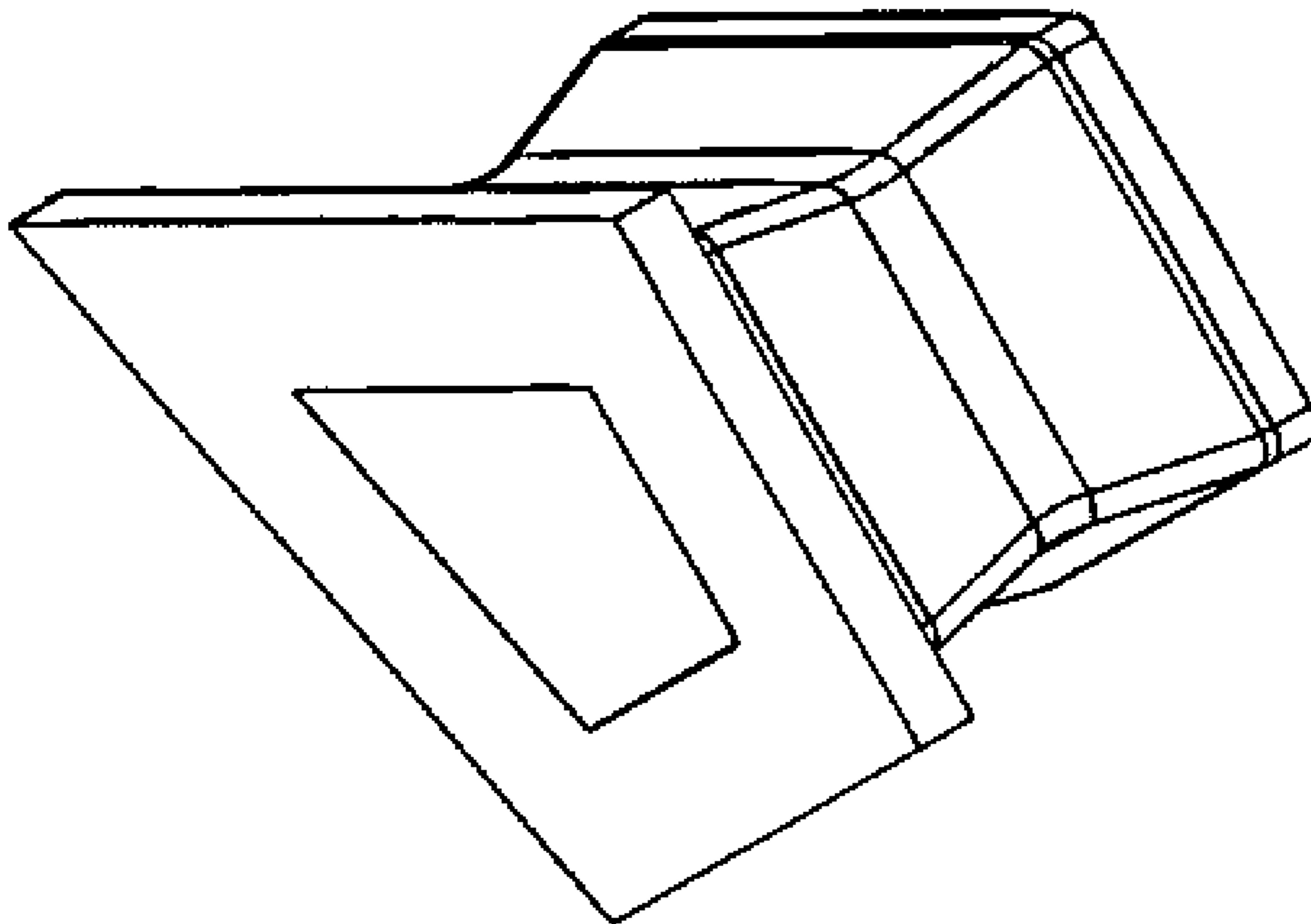
(57) **CLAIM**

The ornamental design for a diamond ear gauge, as shown and described.

**DESCRIPTION**

FIG. 1 is a front elevational view of a diamond ear gauge showing my new design;  
FIG. 2 is a top plan view thereof;  
FIG. 3 is a left side elevational view thereof;  
FIG. 4 is a right side elevational view thereof;  
FIG. 5 is a bottom plan view thereof;  
FIG. 6 is a front and right side perspective view thereof; and,  
FIG. 7 is a rear elevational view thereof.

**1 Claim, 2 Drawing Sheets**



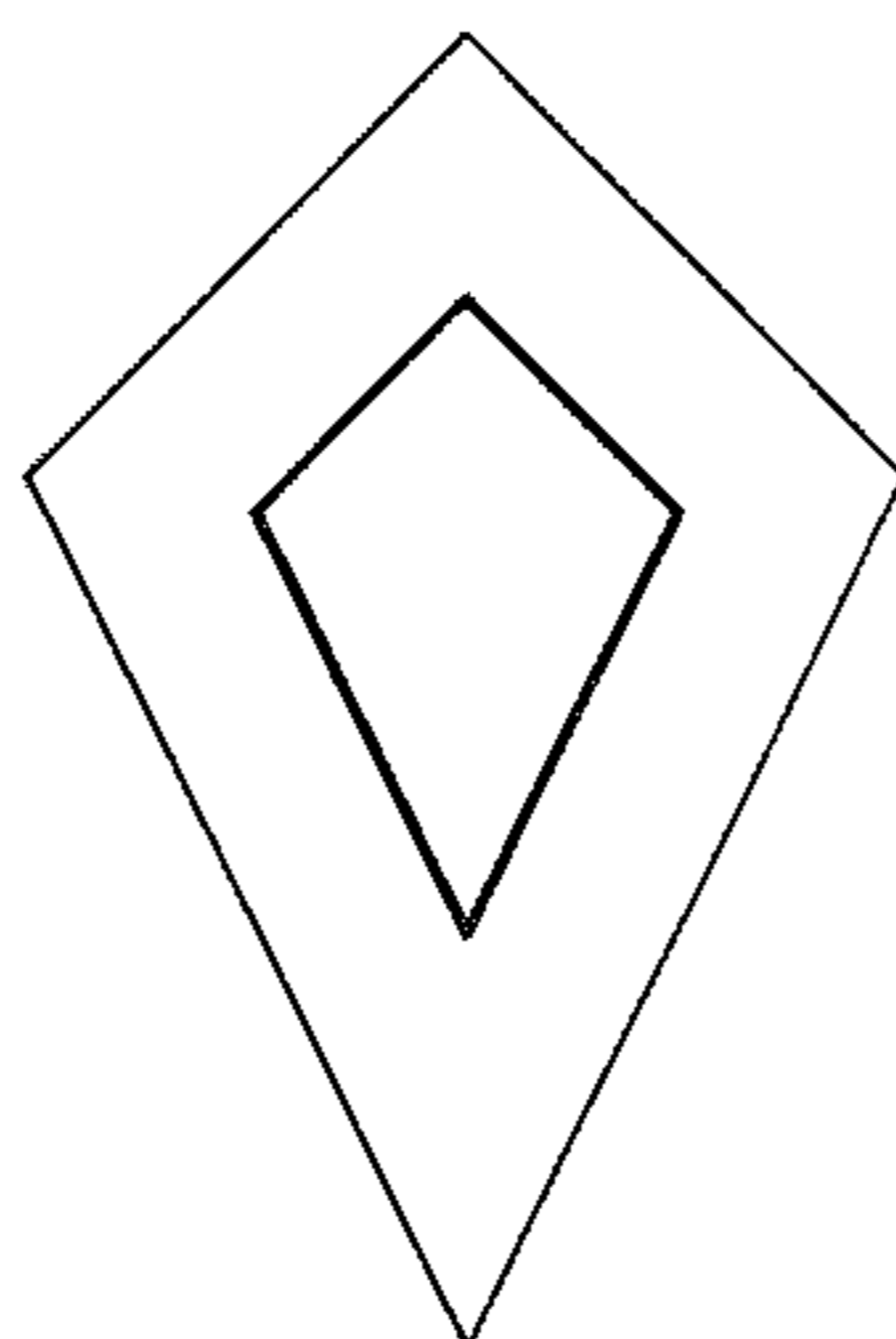


FIG 1

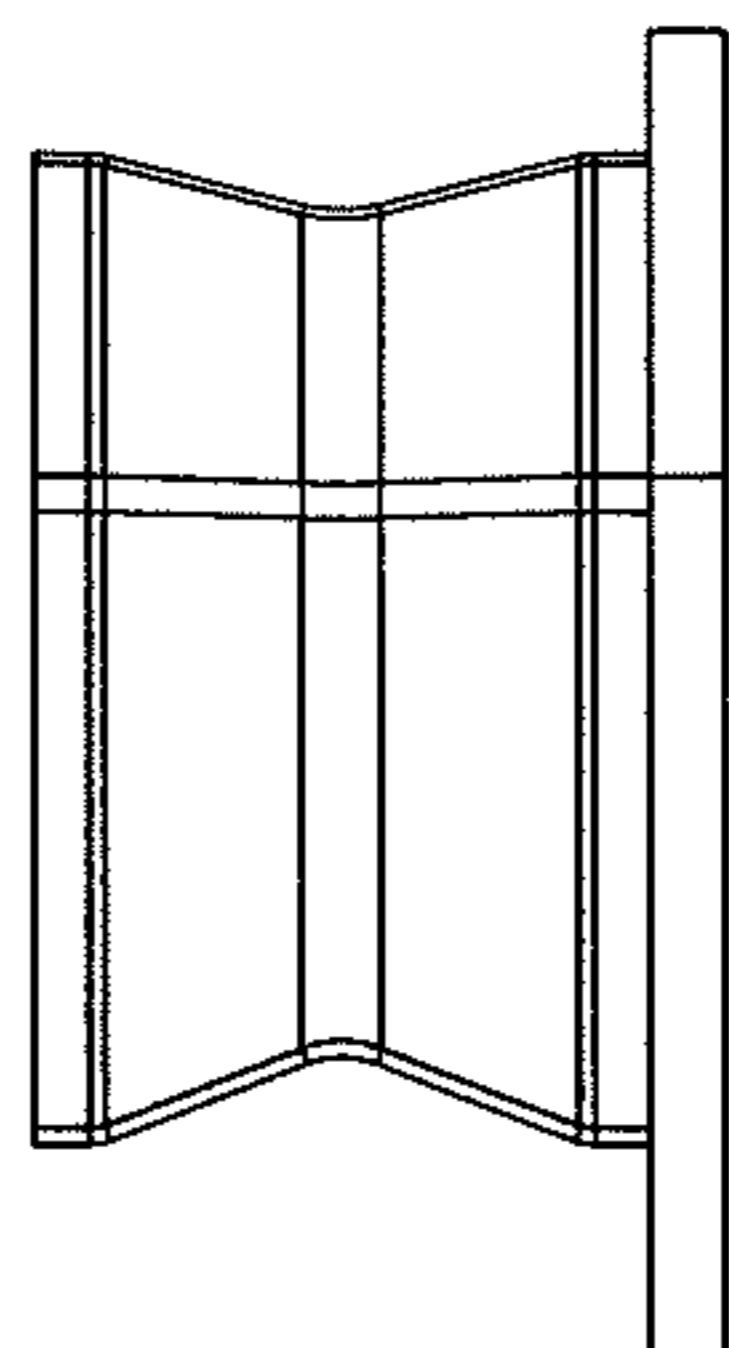


FIG 2

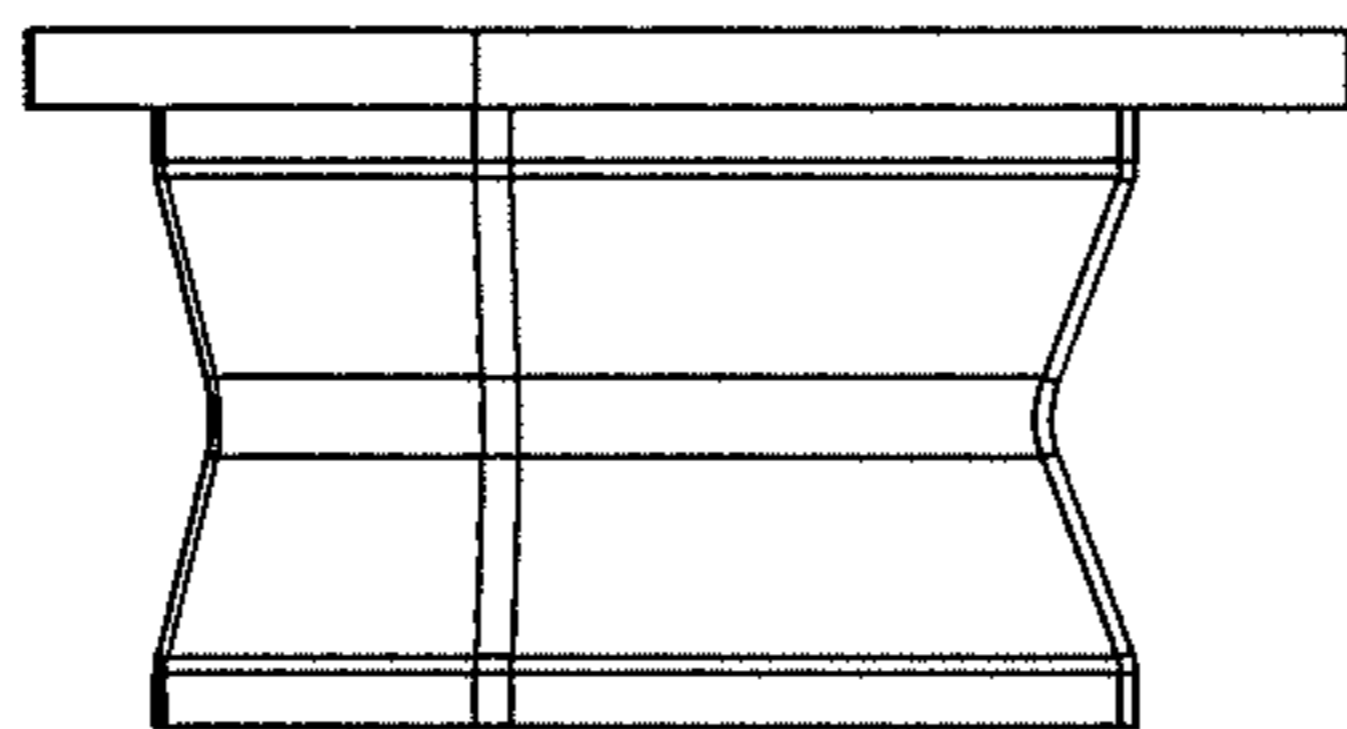


FIG 3

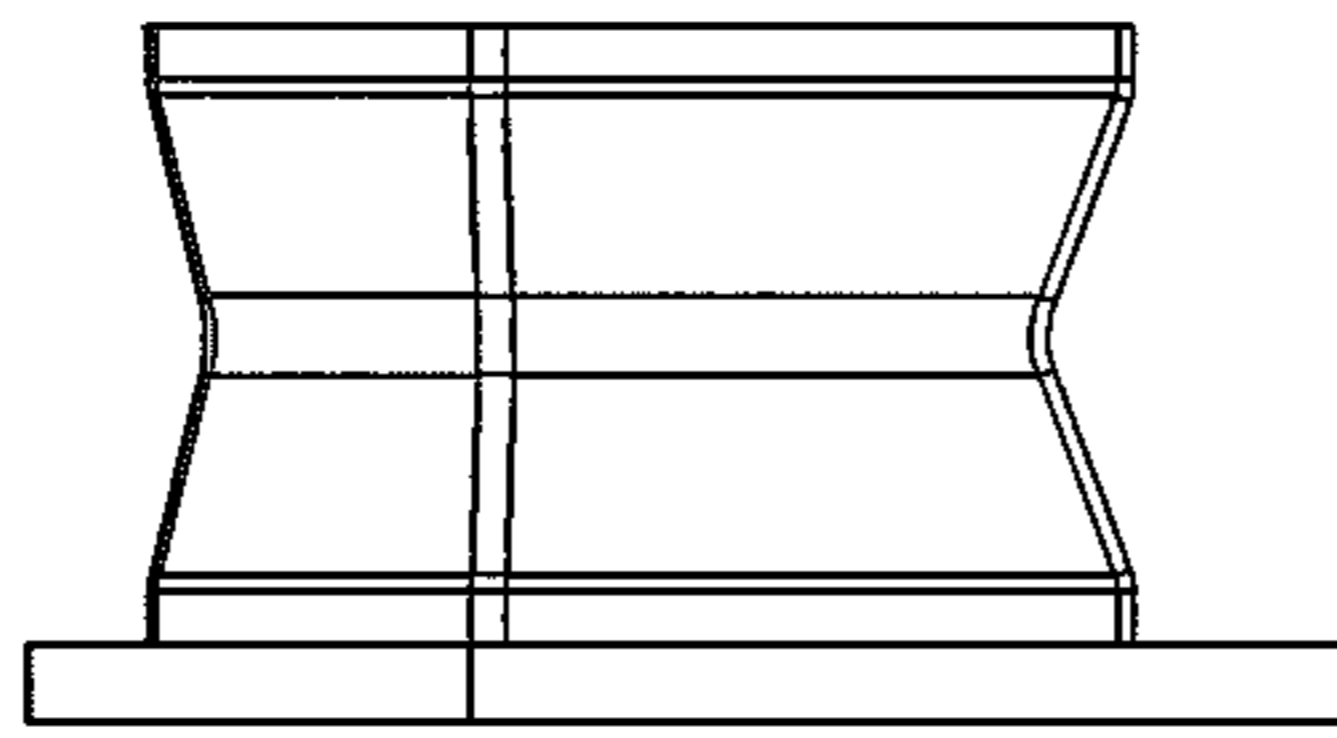


FIG 4

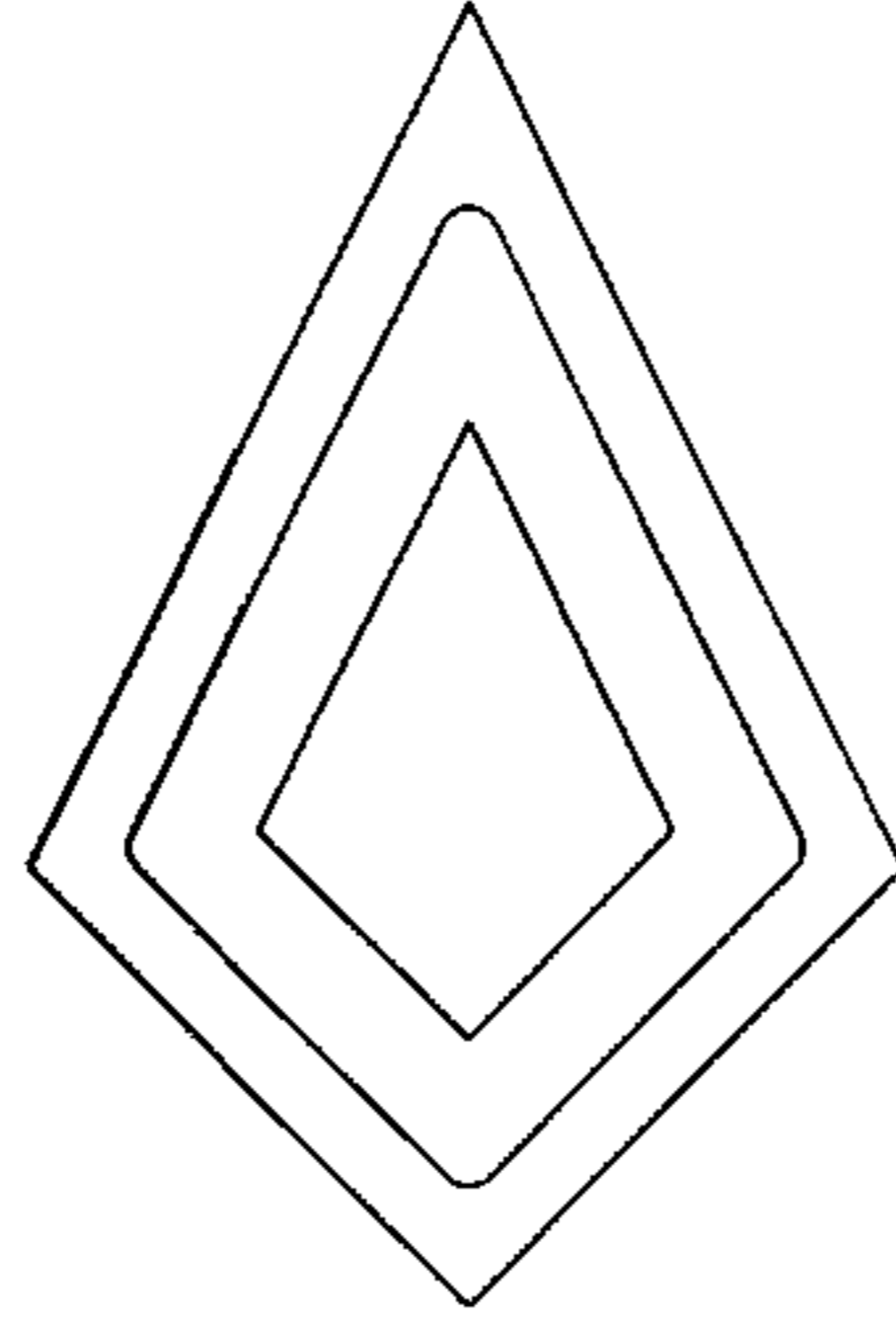


FIG 7

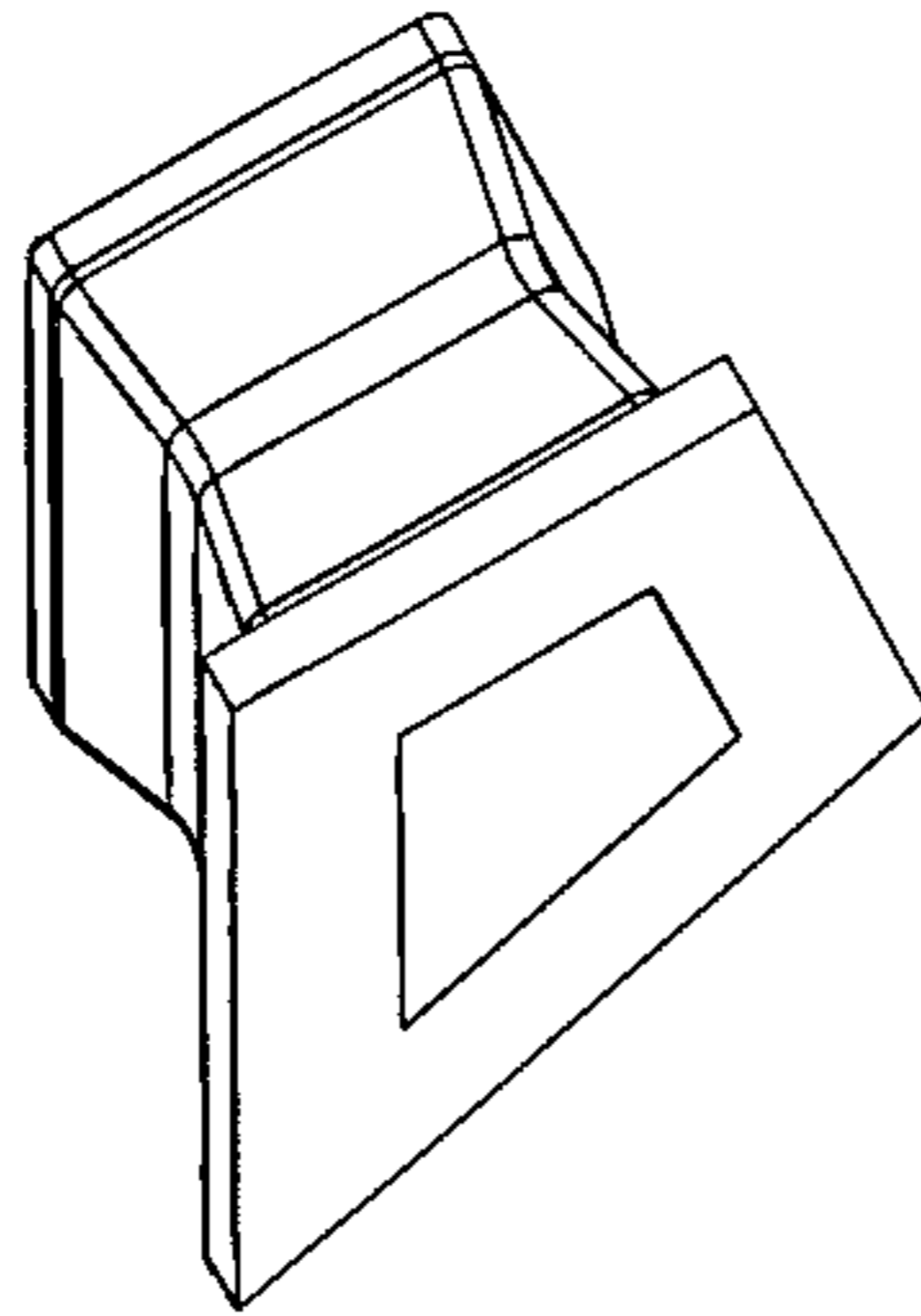


FIG 6

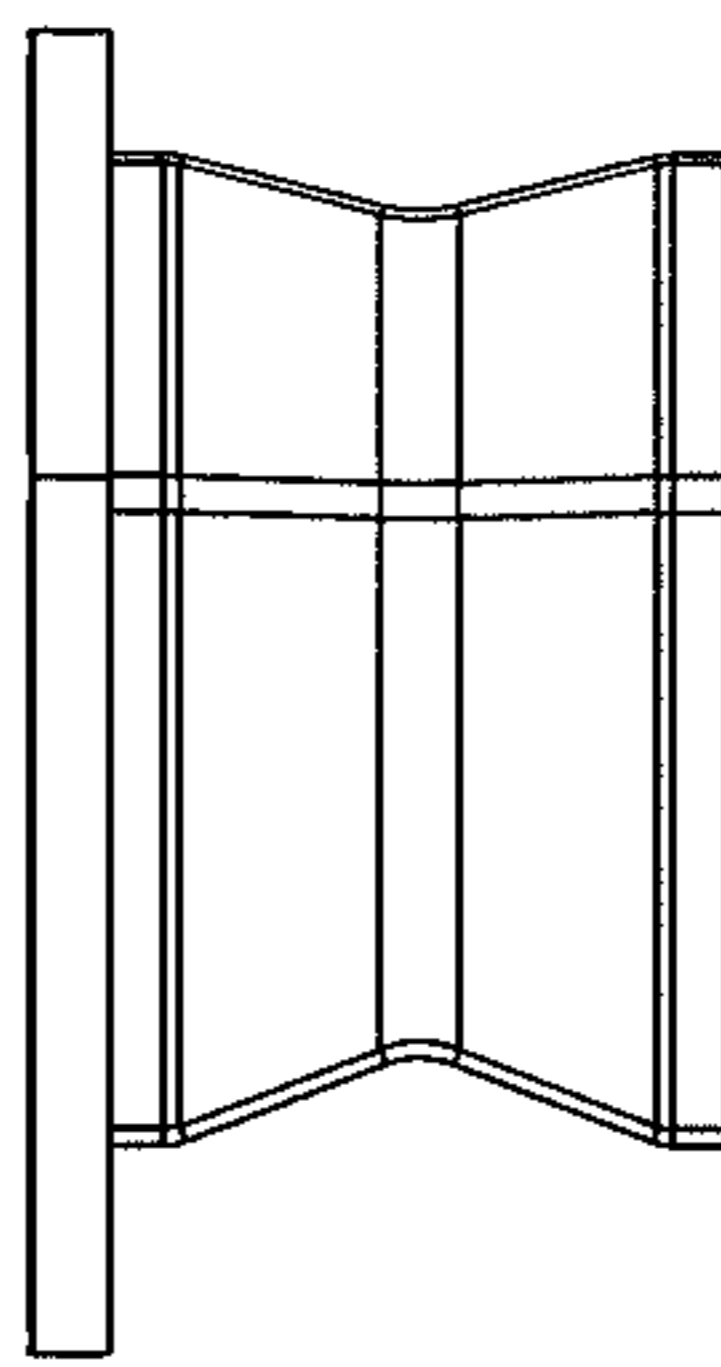


FIG 5