



US00D712775S

(12) **United States Design Patent**
Kuiawa

(10) **Patent No.:** **US D712,775 S**
(45) **Date of Patent:** **** Sep. 9, 2014**

(54) **TRIANGULAR EAR GAUGE**

(71) Applicant: **David Kuiawa**, Jefferson Hills, PA (US)

(72) Inventor: **David Kuiawa**, Jefferson Hills, PA (US)

(**) Term: **14 Years**

(21) Appl. No.: **29/446,395**

(22) Filed: **Feb. 22, 2013**

(51) **LOC (10) Cl.** **11-01**

(52) **U.S. Cl.**
USPC **D11/40**

(58) **Field of Classification Search**

USPC D11/40-51, 70, 1, 79-85; 63/12, 13,
63/14.1-14.8, 1.11, 1.18, 20, 23, 26, 27,
63/290; D7/672, 675; D15/139; D8/98,
D8/100; D19/72

See application file for complete search history.

(56) **References Cited**

U.S. PATENT DOCUMENTS

D255,669	S	*	7/1980	Trupiano	D11/79
5,018,365	A	*	5/1991	Luceno	63/12
5,941,589	A	*	8/1999	Perlman et al.	296/37.6
D640,158	S	*	6/2011	Siedler et al.	D11/40
D641,278	S	*	7/2011	Siedler et al.	D11/40
D643,766	S	*	8/2011	Siedler et al.	D11/1
8,443,626	B2	*	5/2013	Simpson et al.	63/12
D684,455	S	*	6/2013	Relyea et al.	D8/397

OTHER PUBLICATIONS

[Online] <http://forrealadeal.com/images/products/detail/TrianglePlugs.jpg>. Accessed Jan. 21, 2014.*

[Online] [http://i.ebayimg.com/t/PAIR-Steel-Triangle-Tunnels-Ear-Plugs-Earlets-Gauges-/00/s/MTIwMFgxNjAw/\\$T2eC16FHJI!E9qSO8G+1BQR62uEKiQ~60_35.JPG](http://i.ebayimg.com/t/PAIR-Steel-Triangle-Tunnels-Ear-Plugs-Earlets-Gauges-/00/s/MTIwMFgxNjAw/$T2eC16FHJI!E9qSO8G+1BQR62uEKiQ~60_35.JPG). Accessed 1/21/4.*

[Online] http://img.alibaba.com/wsphoto/v0/520322095_1/Free-shipping-wholesale-Acrylic-Tragus-Piercing-Triangle-Ear-Tunnel-Mixed-color-Ear-Plug-Tunnel-100pcs-per.jpg Accessed Jan. 21, 2014.*

[Online] <http://thumbs3.ebaystatic.com/d/1225/m/mD3ArDX6AFsvkaekaxbTUg.jpg>. Accessed Jan. 21, 2014.*

* cited by examiner

Primary Examiner — Garth Rademaker

Assistant Examiner — Melanie Pellegrini

(74) *Attorney, Agent, or Firm* — Paul D. Bangor, Jr.; Clark Hill PLC

(57) **CLAIM**

The ornamental design for a triangular ear gauge, as shown and described.

DESCRIPTION

FIG. 1 is a front elevational view of a triangular ear gauge showing my new design;

FIG. 2 is a top plan view thereof;

FIG. 3 is a left side elevational view thereof;

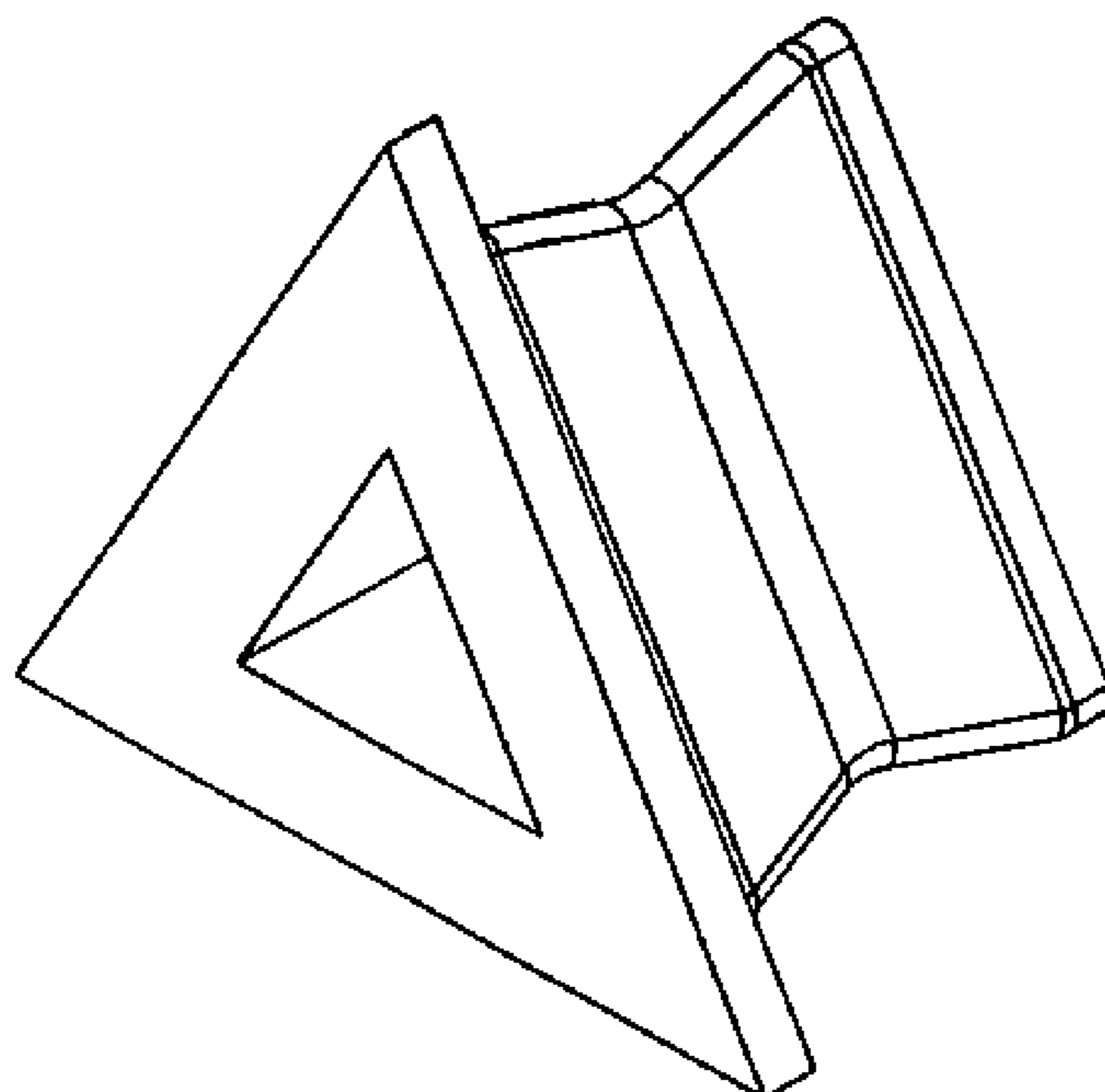
FIG. 4 is a right side elevational view thereof;

FIG. 5 is a bottom plan view thereof;

FIG. 6 is a front and right side perspective view thereof; and,

FIG. 7 is a rear elevational view thereof.

1 Claim, 2 Drawing Sheets



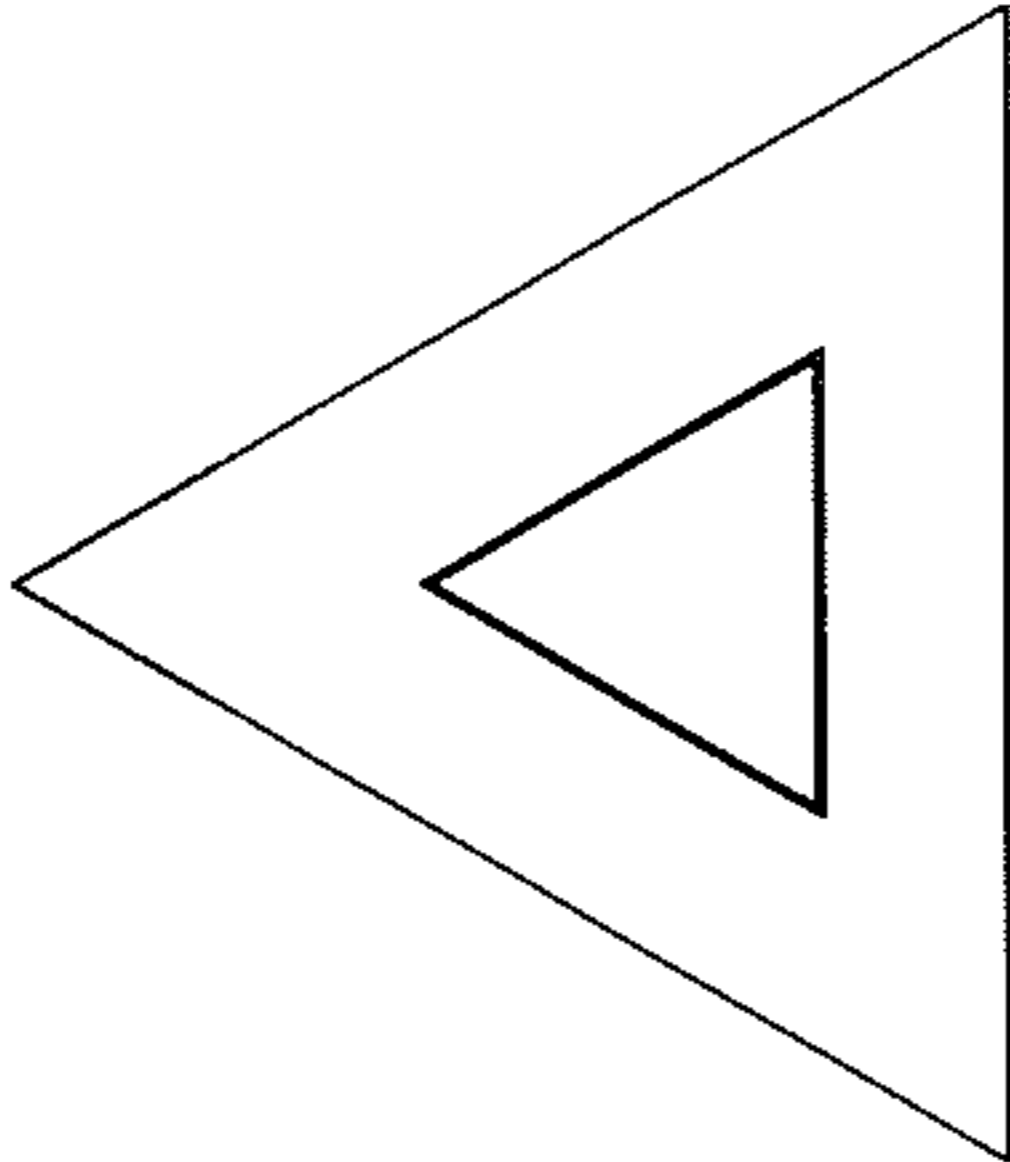


Fig 1

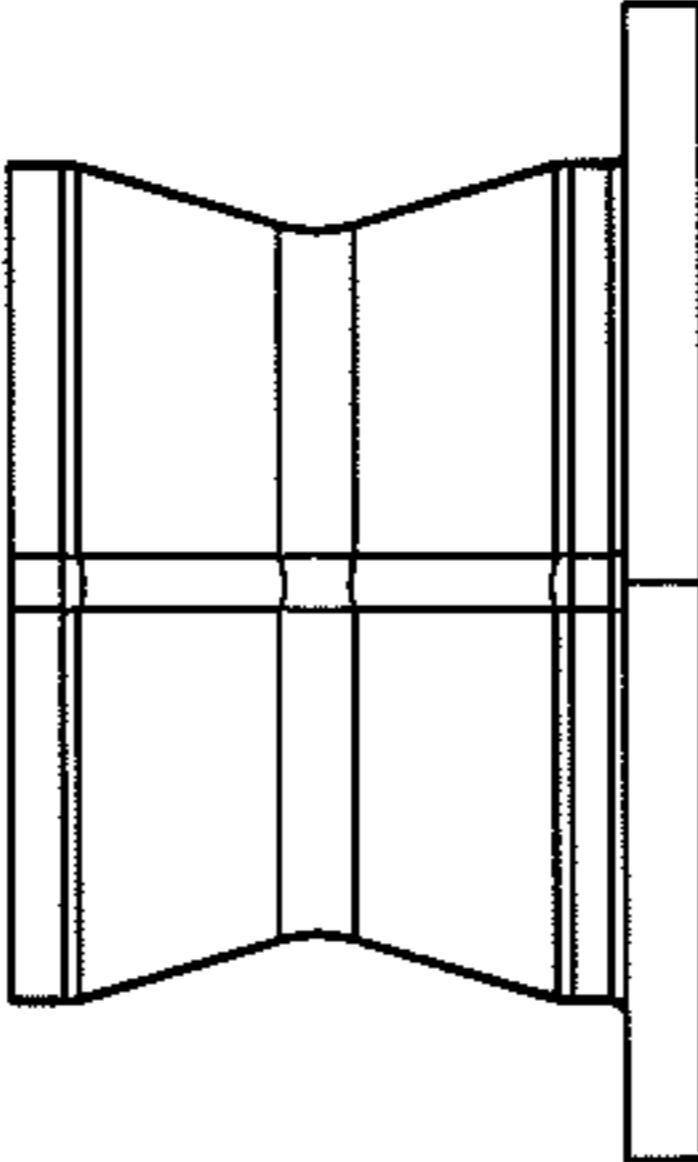


Fig 2

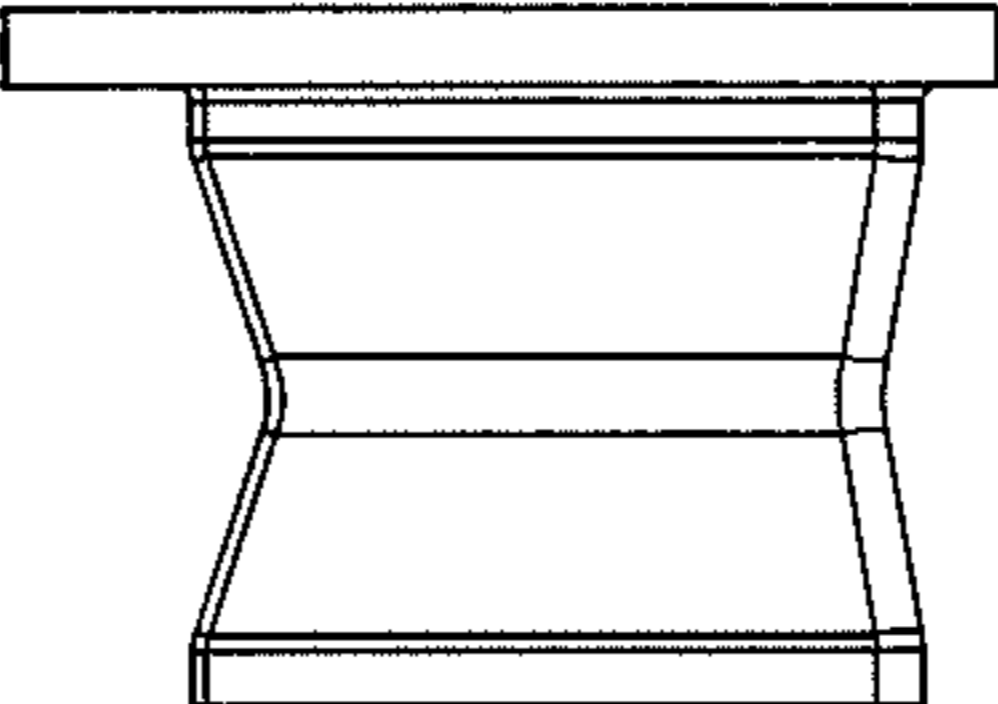


Fig 3

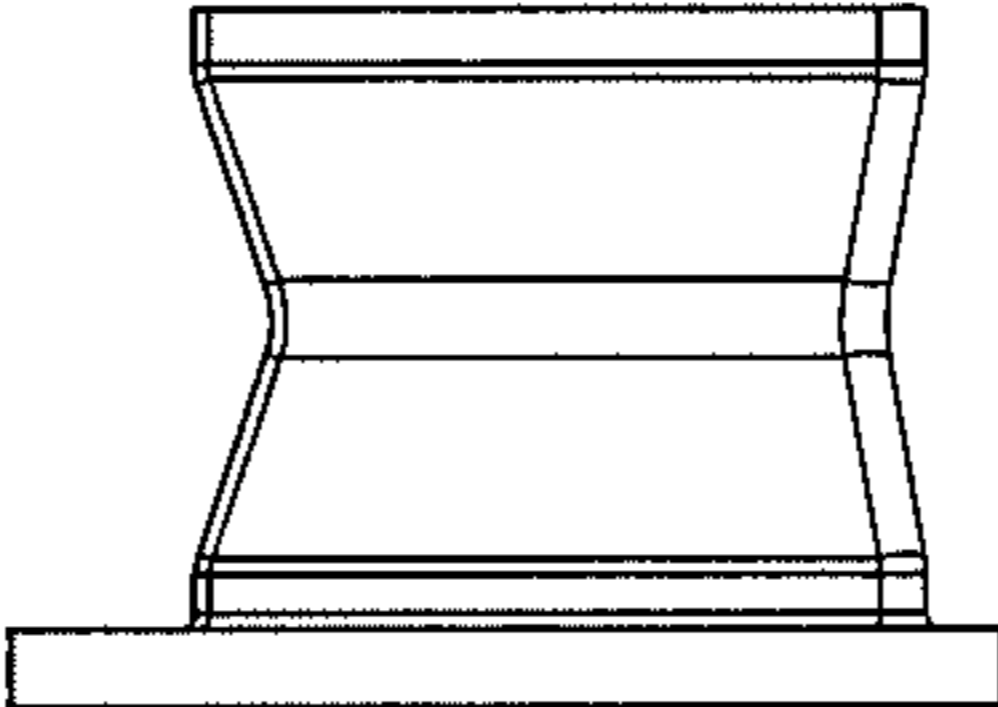


Fig 4

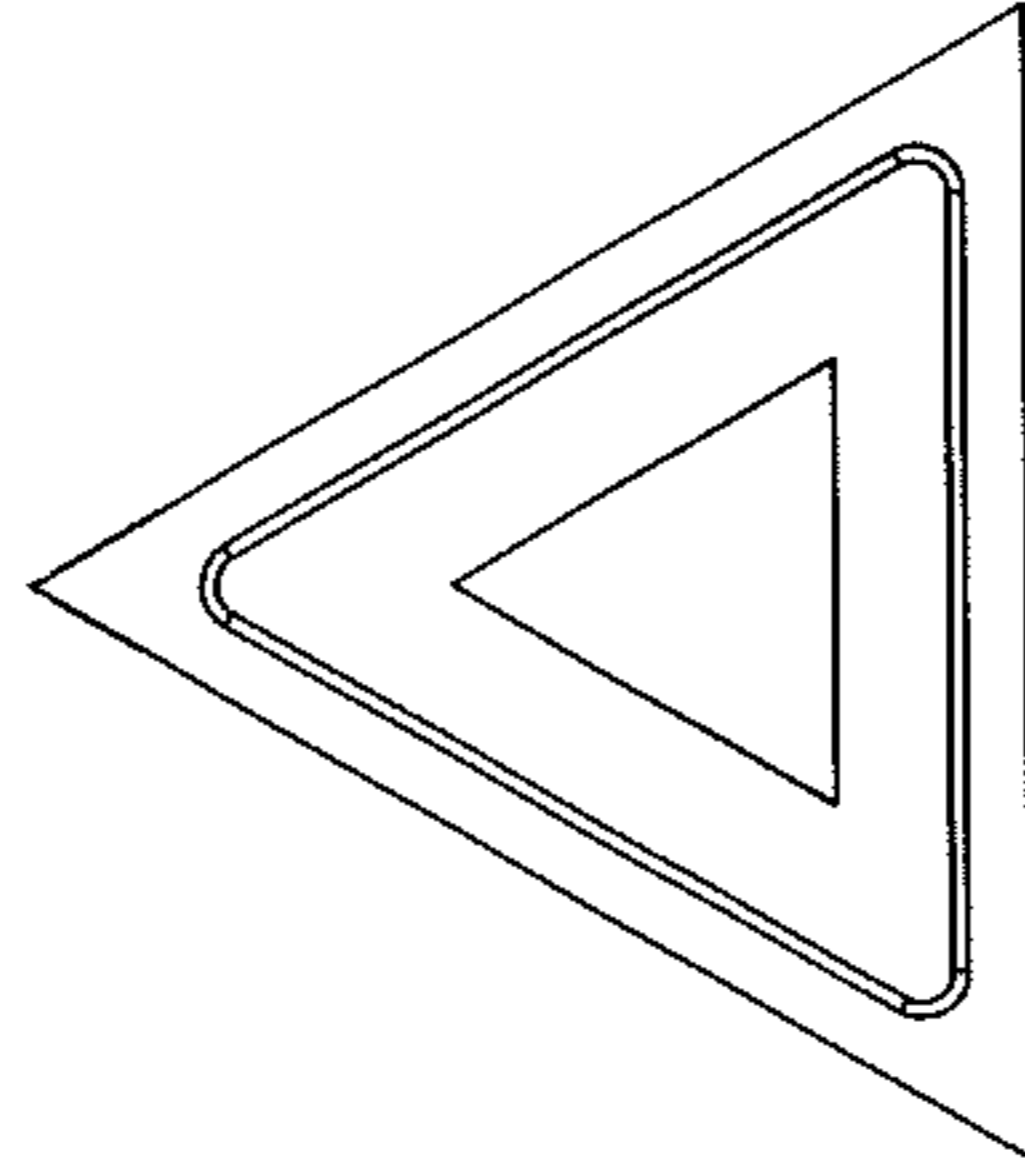


Fig 7

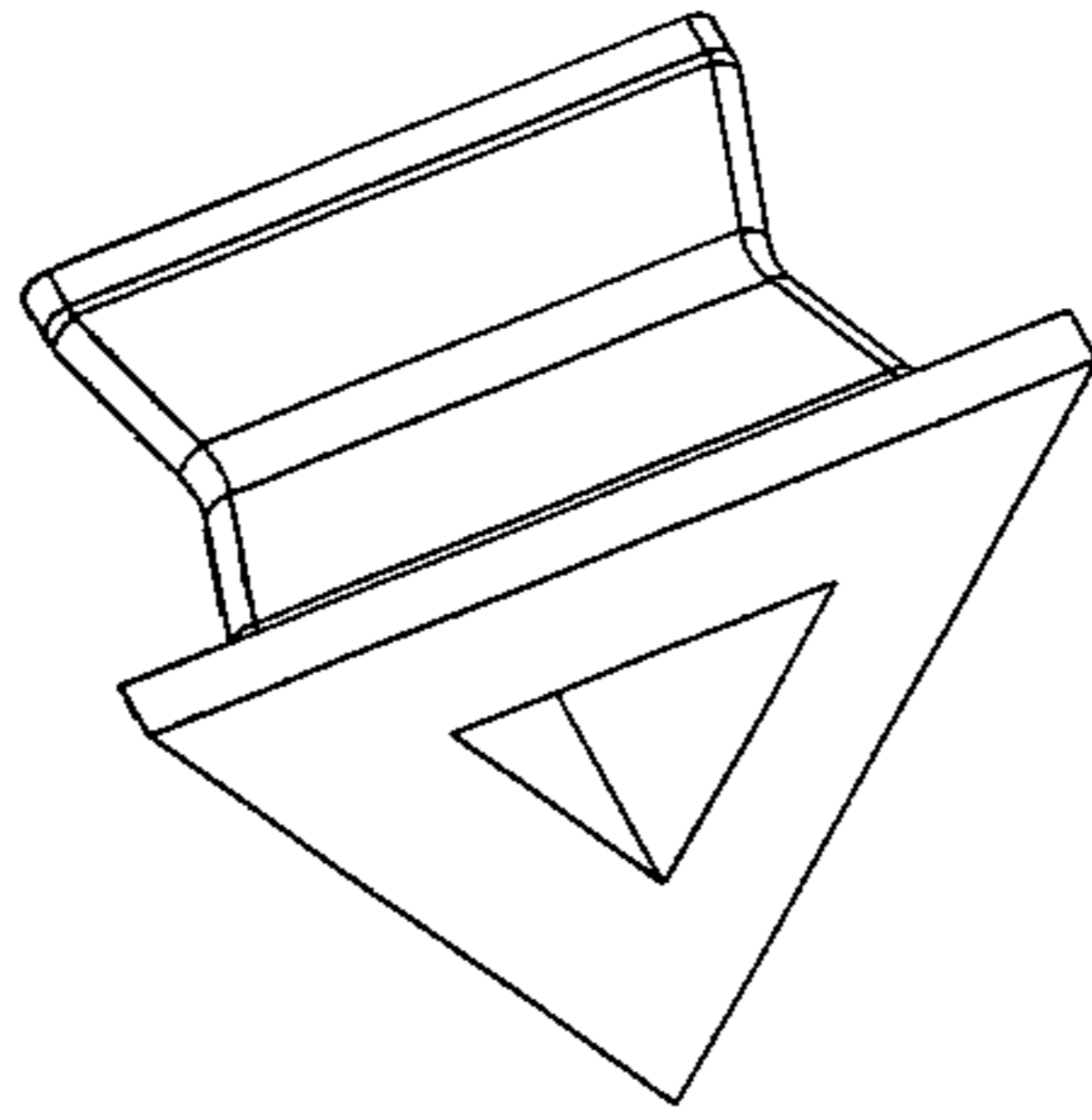


Fig 6

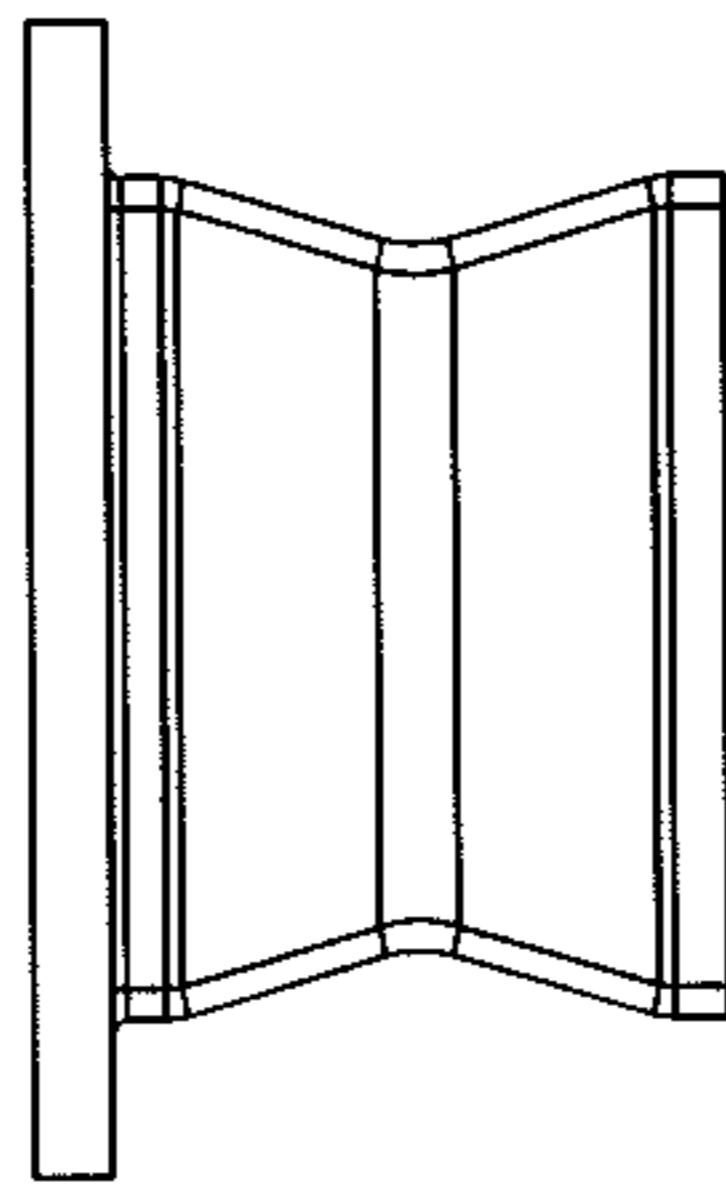


Fig 5