



US00D712774S

(12) **United States Design Patent**
Cheah

(10) **Patent No.:** **US D712,774 S**
(45) **Date of Patent:** **** Sep. 9, 2014**

(54) **RING**

(71) Applicant: **Fah Loong Cheah**, Singapore (SG)

(72) Inventor: **Fah Loong Cheah**, Singapore (SG)

(**) Term: **14 Years**

(21) Appl. No.: **29/435,671**

(22) Filed: **Oct. 26, 2012**

(30) **Foreign Application Priority Data**

Apr. 30, 2012 (SG) D2012/506/A

(51) **LOC (10) Cl.** **11-01**

(52) **U.S. Cl.**
USPC **D11/26**

(58) **Field of Classification Search**
USPC D11/3-6, 26-39; 63/15, 15.1-15.4,
63/15.45, 15.5, 15.6, 15.65, 15.7, 15.8,
63/26-38, 3

See application file for complete search history.

(56) **References Cited**

U.S. PATENT DOCUMENTS

D388,010	S	*	12/1997	Scheufele	D11/26
5,727,399	A	*	3/1998	Bergagnini	63/15.4
D451,422	S	*	12/2001	Wenrich	D11/26
6,490,886	B1	*	12/2002	Steinhauer et al.	63/15
6,574,989	B1	*	6/2003	Lampert	63/15
D499,659	S	*	12/2004	Pachachi	D11/26
8,479,537	B2	*	7/2013	Patterson	63/15.4

* cited by examiner

Primary Examiner — Garth Rademaker

Assistant Examiner — Melanie Pellegrini

(74) *Attorney, Agent, or Firm* — Kramer Levin Naftalis & Frankel LLP

(57) **CLAIM**

The ornamental design for a ring, as shown and described.

DESCRIPTION

FIG. 1 is a front and right side perspective view of a ring showing my new design;
FIG. 2 is a front and right side perspective view thereof shown in an alternate position;
FIG. 3 is a front and right side perspective view thereof shown in another alternate position; and,
FIG. 4 is a bottom plan view in yet another position.

1 Claim, 4 Drawing Sheets

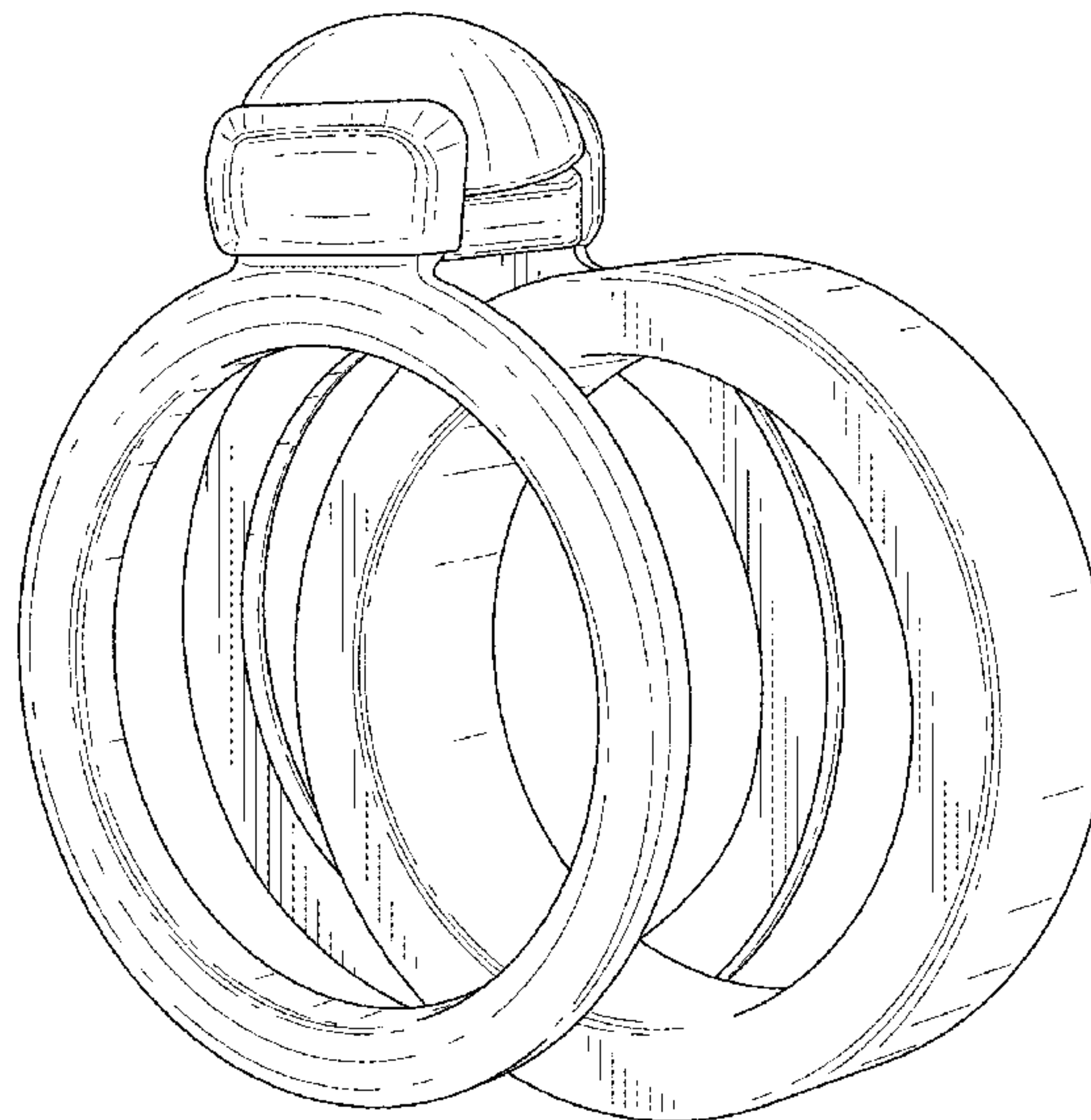
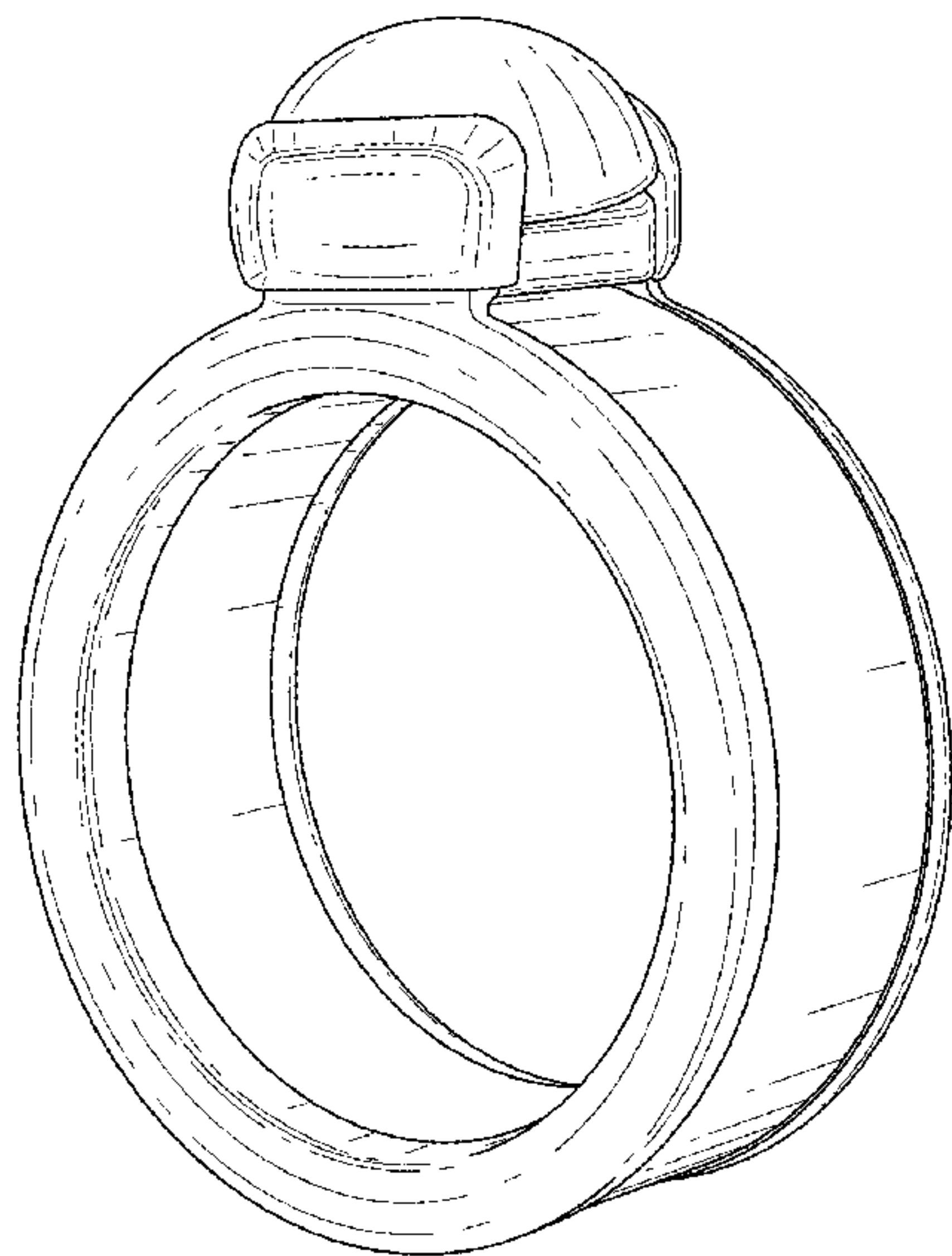


FIG. 1

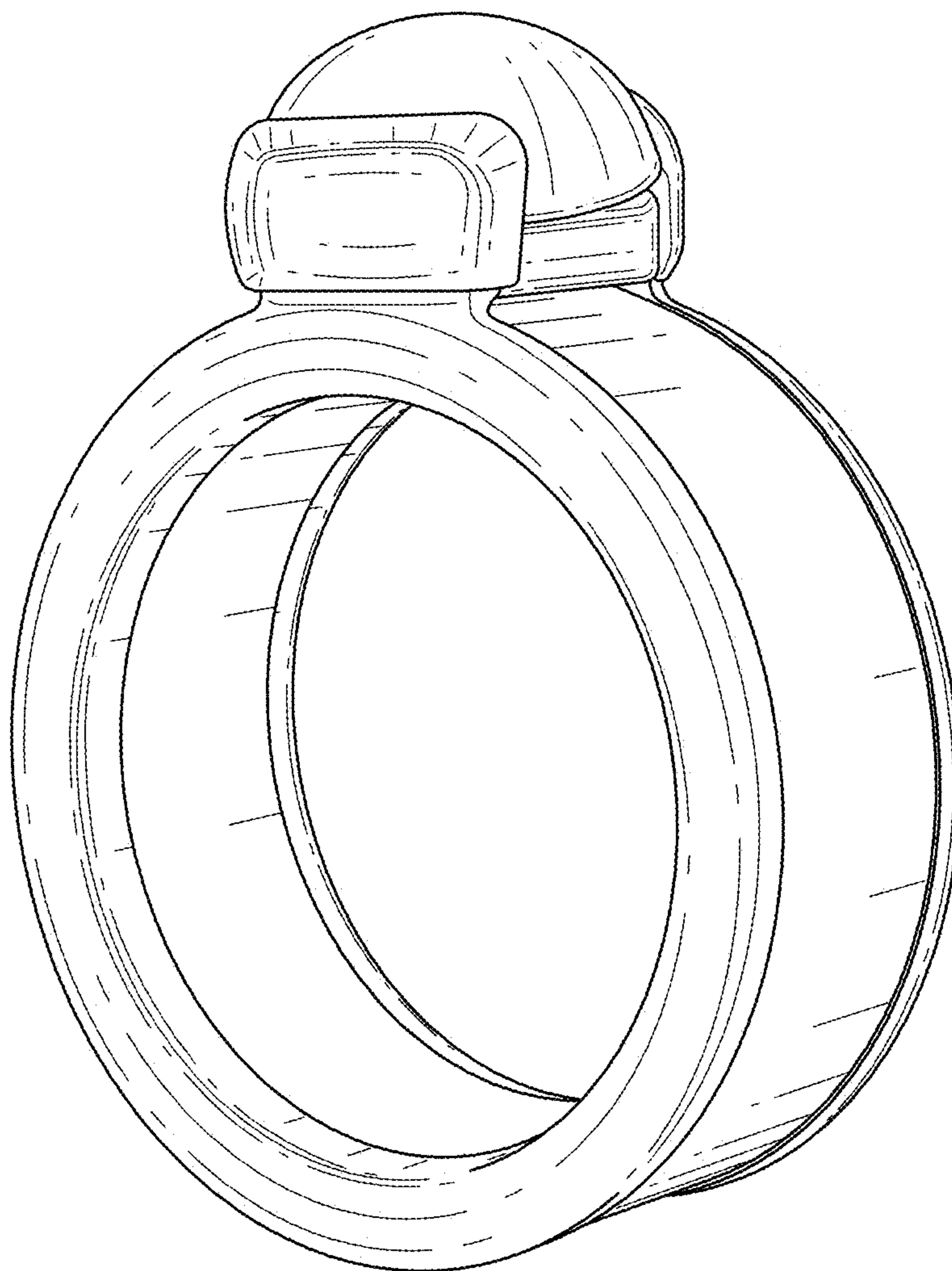


FIG. 2

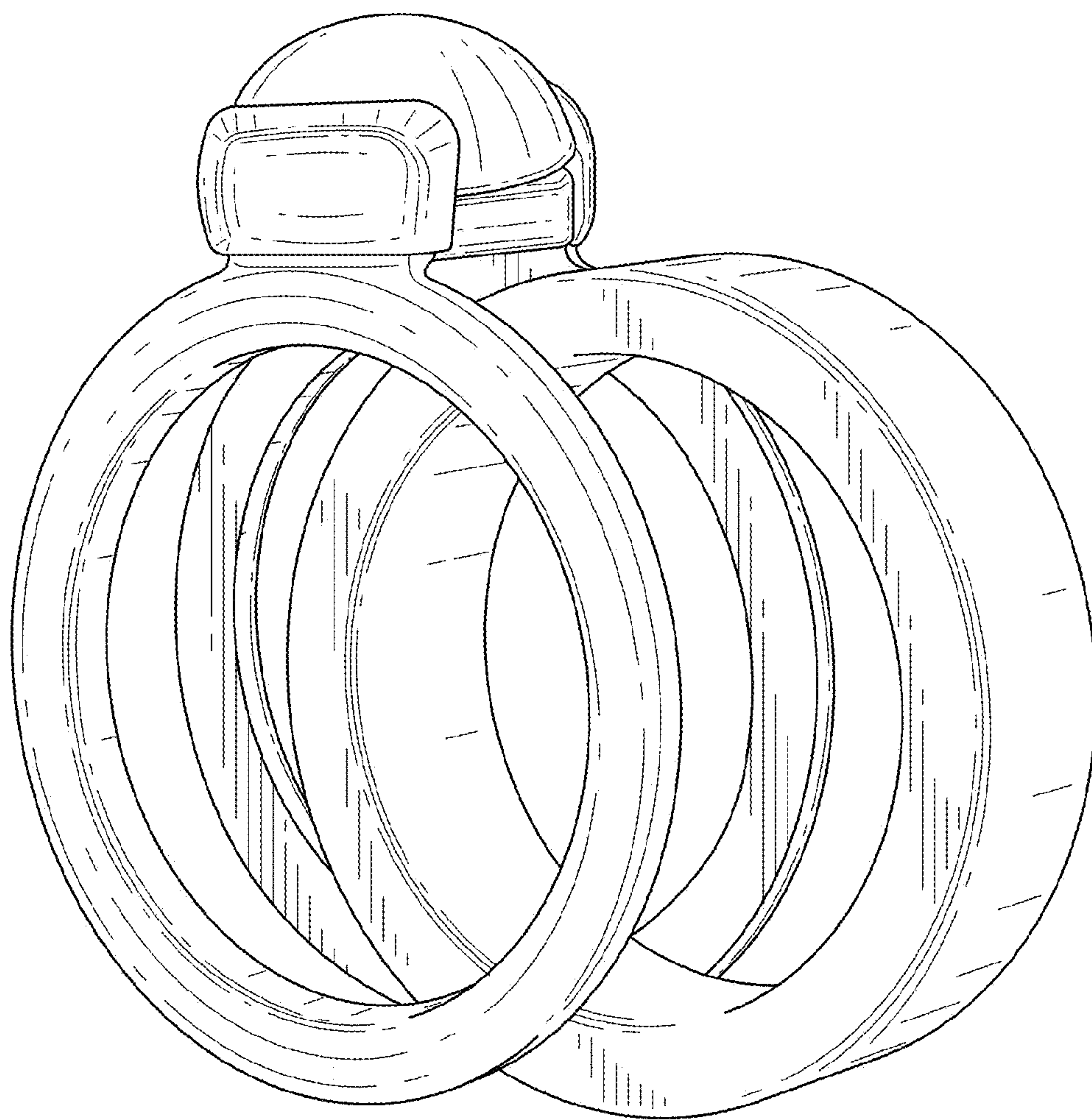


FIG. 3

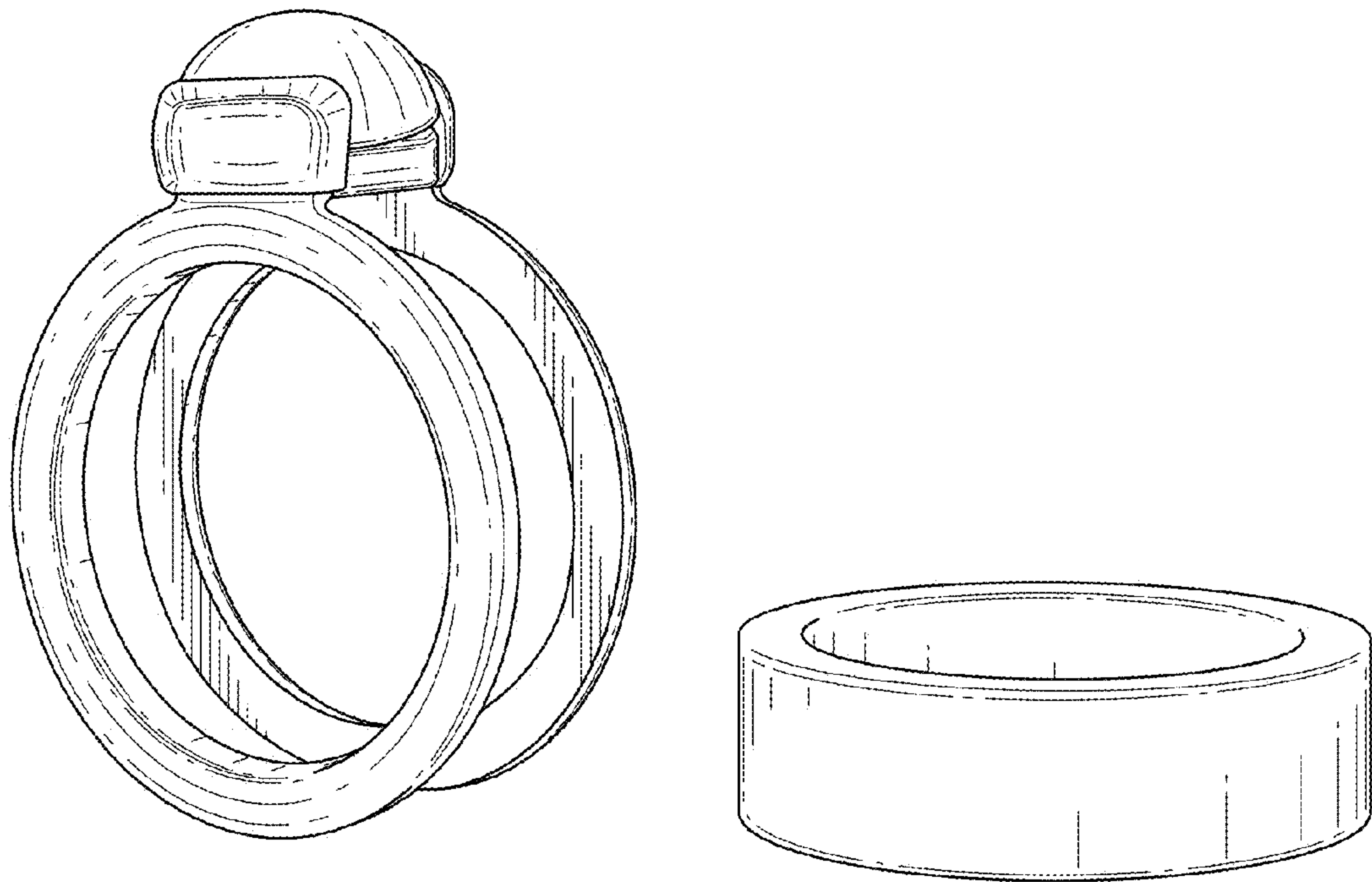


FIG. 4

