



US00D712773S

(12) **United States Design Patent**  
**Mounce**

(10) **Patent No.:** **US D712,773 S**  
(45) **Date of Patent:** **\*\* Sep. 9, 2014**

(54) **WRISTBAND AND CLIP**  
(76) Inventor: **Danny A. Mounce**, Covington, KY (US)  
(\*\*) Term: **14 Years**  
(21) Appl. No.: **29/432,046**  
(22) Filed: **Sep. 13, 2012**  
(51) **LOC (10) Cl.** ..... **11-01**  
(52) **U.S. Cl.**  
USPC ..... **D11/4**  
(58) **Field of Classification Search**  
USPC ..... D11/1-25, 26, 27, 28, 79, 80, 81, 82,  
D11/83, 86; 63/1.11, 3, 3.1, 3.2, 15,  
63/15.1-15.4, 15.45, 15.5, 15.6, 15.65,  
63/5.1; D28/41; D8/383, 349, 394, 395,  
D8/396  
See application file for complete search history.

5,283,969 A 2/1994 Weiss  
D344,624 S 3/1994 Schnell et al.  
D349,468 S 8/1994 Souren  
5,588,310 A 12/1996 Lai  
5,630,329 A 5/1997 Lauffer et al.  
5,704,067 A 1/1998 Brady  
5,816,072 A \* 10/1998 Michaels ..... 63/3

(Continued)

**OTHER PUBLICATIONS**

[Online] [http://mogocharm.com/page/wp-content/uploads/2012/06/slideshow\\_2.jpg](http://mogocharm.com/page/wp-content/uploads/2012/06/slideshow_2.jpg). Retrieved Jul. 1, 2014.\*

(Continued)

*Primary Examiner* — Susan E Krakower  
*Assistant Examiner* — Melanie Pellegrini  
(74) *Attorney, Agent, or Firm* — Hasse & Nesbitt LLC;  
Donald E. Hasse

(56) **References Cited**

**U.S. PATENT DOCUMENTS**

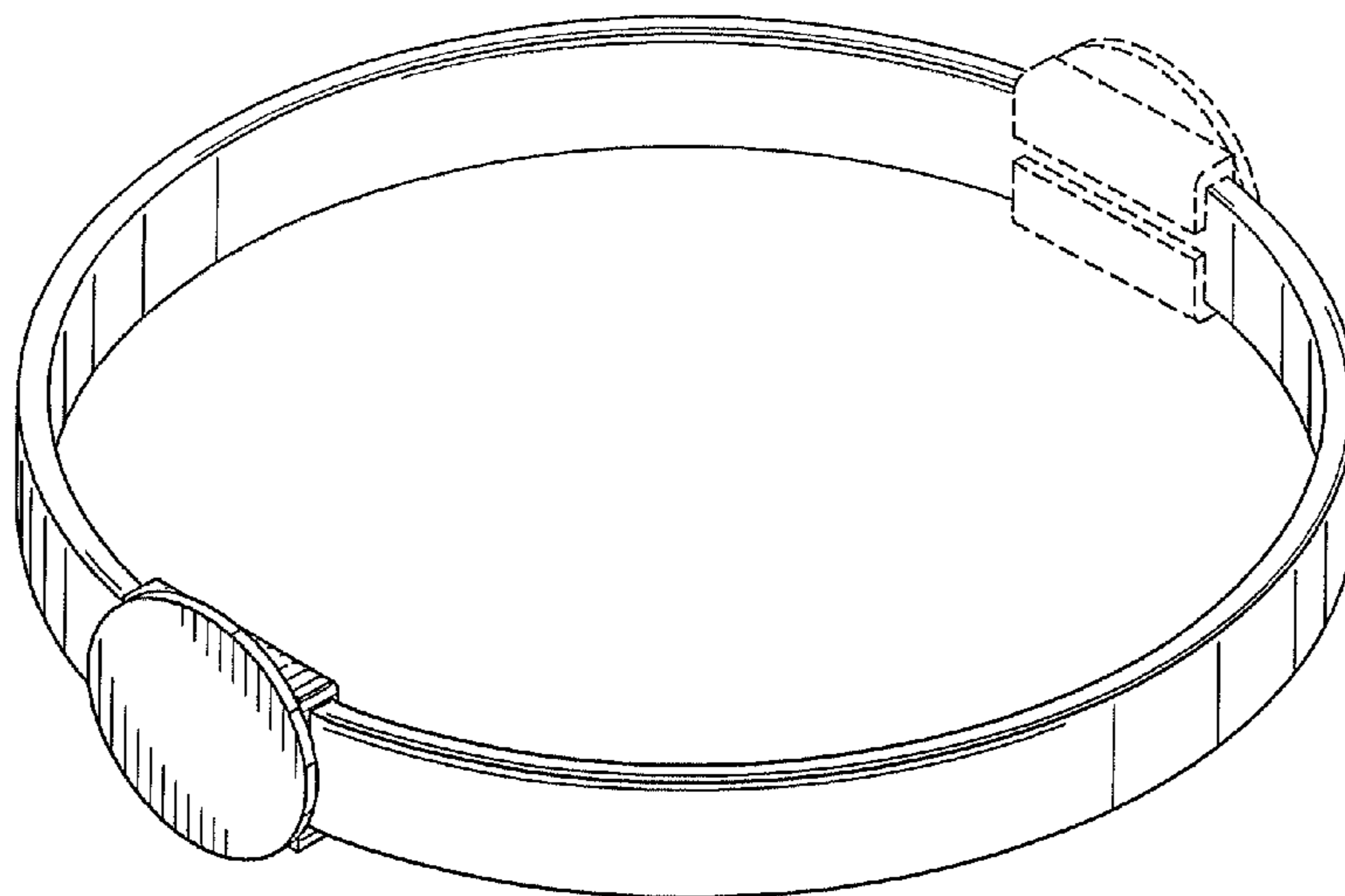
843,491 A \* 2/1907 Reznicek ..... 2/338  
D56,246 S 9/1920 Alterson  
1,756,041 A 4/1930 Vance, Sr.  
2,322,461 A 6/1943 Mariano  
2,378,755 A 6/1945 Dowling  
2,427,119 A 9/1947 Bensel  
2,680,315 A 7/1950 McHugh et al.  
2,641,074 A 6/1953 Richmond  
3,348,388 A 10/1967 Elliott  
3,848,270 A 11/1974 Rand  
D234,059 S \* 1/1975 Popp ..... D24/200  
D244,197 S \* 5/1977 Ostroll ..... D20/28  
4,093,973 A \* 6/1978 Vaagenes ..... 362/104  
4,164,910 A 8/1979 Feiler  
4,179,833 A 12/1979 Knodel  
4,557,215 A 12/1985 Petersson  
4,639,948 A 2/1987 Adell  
4,674,299 A 6/1987 Azar  
4,936,699 A 6/1990 Yoshida  
5,136,726 A 8/1992 Kellin et al.

(57) **CLAIM**  
I claim the ornamental design for a wristband and clip, as shown and described.

**DESCRIPTION**

FIG. 1 is a top and front perspective view of a wristband and clip showing my new design;  
FIG. 2 is a top and rear perspective view thereof;  
FIG. 3 is a top plan view the bottom plan view being a mirror image thereto;  
FIG. 4 is a front elevational view thereof;  
FIG. 5 is a right side elevational view thereof;  
FIG. 6 is a rear elevational view thereof; and,  
FIG. 7 is an enlarged sectional view through a portion of the wristband and clip, taken along line 7-7 in FIG. 3.  
The broken lines showing a circular clip illustrates portions of the wristband and clip which form no part of the claimed design.

**1 Claim, 3 Drawing Sheets**



(56)

References Cited

U.S. PATENT DOCUMENTS

5,852,829 A 12/1998 Relaford  
 D404,677 S 1/1999 Johnson  
 6,173,451 B1 1/2001 DeVincenzi  
 D442,113 S 5/2001 Nisguretsky  
 6,422,177 B1 7/2002 Noguero  
 D463,308 S 9/2002 Skiles  
 6,446,466 B1 9/2002 Headley  
 D470,937 S \* 2/2003 Gary et al. .... D24/138  
 6,807,680 B2 10/2004 Sloat  
 D502,661 S 3/2005 Rapport  
 D502,662 S 3/2005 Rapport  
 D503,646 S 4/2005 Rapport  
 6,880,364 B1 4/2005 Vidolin et al.  
 D505,353 S 5/2005 Del Valle  
 D519,052 S 4/2006 Watanabe  
 D544,191 S \* 6/2007 Choi ..... D2/971  
 D547,227 S 7/2007 Del Valle  
 D550,430 S 9/2007 Martin, Jr.  
 D552,003 S 10/2007 Lecut  
 7,331,707 B2 2/2008 Del Valle et al.  
 D591,633 S \* 5/2009 Del Valle ..... D11/3  
 D597,881 S \* 8/2009 Hou ..... D11/3  
 D607,373 S \* 1/2010 Kurtz ..... D11/151  
 D616,615 S \* 5/2010 Alvarenga ..... D30/152  
 D618,128 S \* 6/2010 Clark et al. .... D11/3  
 D625,996 S \* 10/2010 Witty ..... D9/434  
 D631,780 S \* 2/2011 Levy ..... D11/87  
 D640,948 S \* 7/2011 Quigley ..... D11/3  
 D645,775 S \* 9/2011 Adkins ..... D11/3  
 D646,192 S \* 10/2011 Woode ..... D11/3  
 D651,363 S \* 12/2011 Connelly et al. .... D30/136  
 8,069,538 B2 12/2011 Wilcox  
 8,112,963 B2 2/2012 Johnson  
 8,122,519 B2 2/2012 Schmelzer et al.  
 D656,056 S 3/2012 Outland  
 D660,185 S 5/2012 Schrepfer  
 D676,313 S \* 2/2013 Zimmerer ..... D8/394  
 D676,737 S \* 2/2013 Zimmerer ..... D8/394  
 D682,464 S \* 5/2013 Gary et al. .... D26/142

8,573,003 B2 \* 11/2013 Kaupp ..... 63/3.1  
 D707,584 S \* 6/2014 Webb ..... D11/87  
 2006/0207132 A1 \* 9/2006 Vaughan et al. .... 40/310  
 2007/0144047 A1 6/2007 Singh  
 2008/0028654 A1 2/2008 Cardon et al.  
 2008/0250815 A1 10/2008 Wachler et al.  
 2008/0289363 A1 11/2008 Langford  
 2009/0265971 A1 10/2009 Cook  
 2010/0011623 A1 1/2010 Seckler et al.  
 2010/0075073 A1 3/2010 O'Byrne  
 2010/0300147 A1 12/2010 Farmer et al.  
 2011/0011132 A1 1/2011 Marchisio  
 2011/0048071 A1 3/2011 Campbell  
 2011/0061424 A1 \* 3/2011 Gupta ..... 63/1.13

OTHER PUBLICATIONS

U.S. Appl. No. 29/430,421, filed Aug. 24, 2012, Danny A. Mounce. BlingItz; <http://shop.buyblingitz.com/>; © 2012 to BlingItz; printed on Jul. 12, 2012; pp. 1-2.  
 Cub Scouts Belt Loops, Cub Scout Academics and Sports Program; <http://www.boyscouttrail.com/cub-scouts/acad-sports.asp>; published prior to Aug. 24, 2012; printed on Nov. 28, 2012; pp. 1-2.  
 Mothers Minder; U.S. Trademark Registration No. 78403987; Owner: Catherine J. Del Valle; filed on Apr. 19, 2004; p. 1.  
 March of Dimes—Mother's Minder/MOD Bracelet, Buy March of Dimes; [http://www.awarenessproductsonline.com/product\\_mod\\_modmmbracelet/](http://www.awarenessproductsonline.com/product_mod_modmmbracelet/); © 2004-2012 Wristbands 4 Awareness; no date; printed on Nov. 28, 2012; pp. 1-3.  
 Mothers Minder wristband information, Awareness Products Online; [http://www.awarenessproductsonline.com/mom\\_product\\_info](http://www.awarenessproductsonline.com/mom_product_info); © AwarenessProductsOnline.com and Wristbands4Awareness.com—All content copyright 2004-2012 Wristbands 4 Awareness; printed on Dec. 6, 2012; pp. 1-3.  
 Amazon; Amazon.com: mothers minder bracelet; © 1996-2012, Amazon.com, Inc.; printed on Dec. 6, 2012; pp. 1-2.  
 Ebay; Mothers Minder Nursing Breastfeeding Bracelet Blue on eBay!; Copyright © 1995-2012 eBay Inc.; printed on Dec. 6, 2012; pp. 1-3.

\* cited by examiner

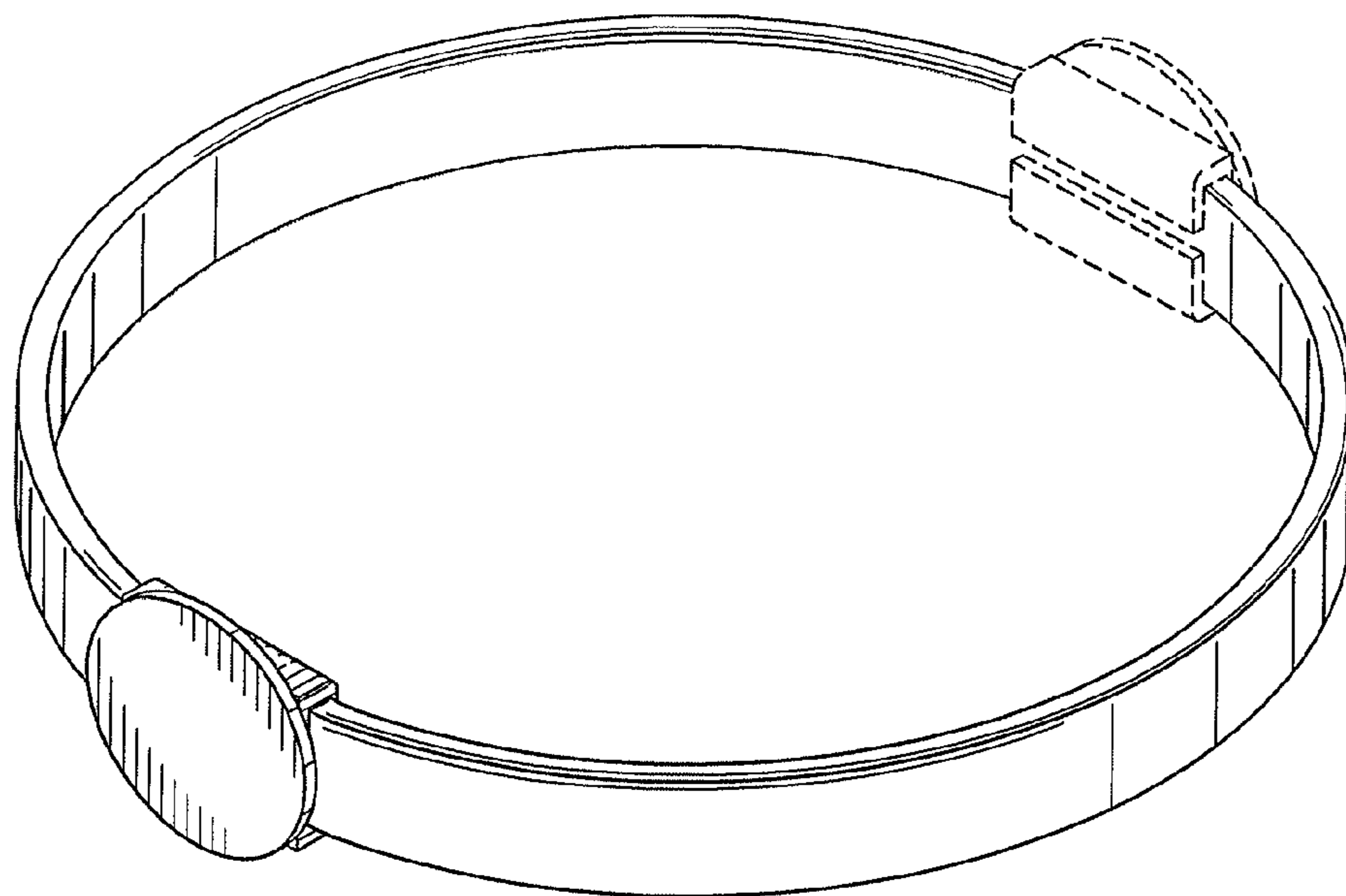


FIG. 1

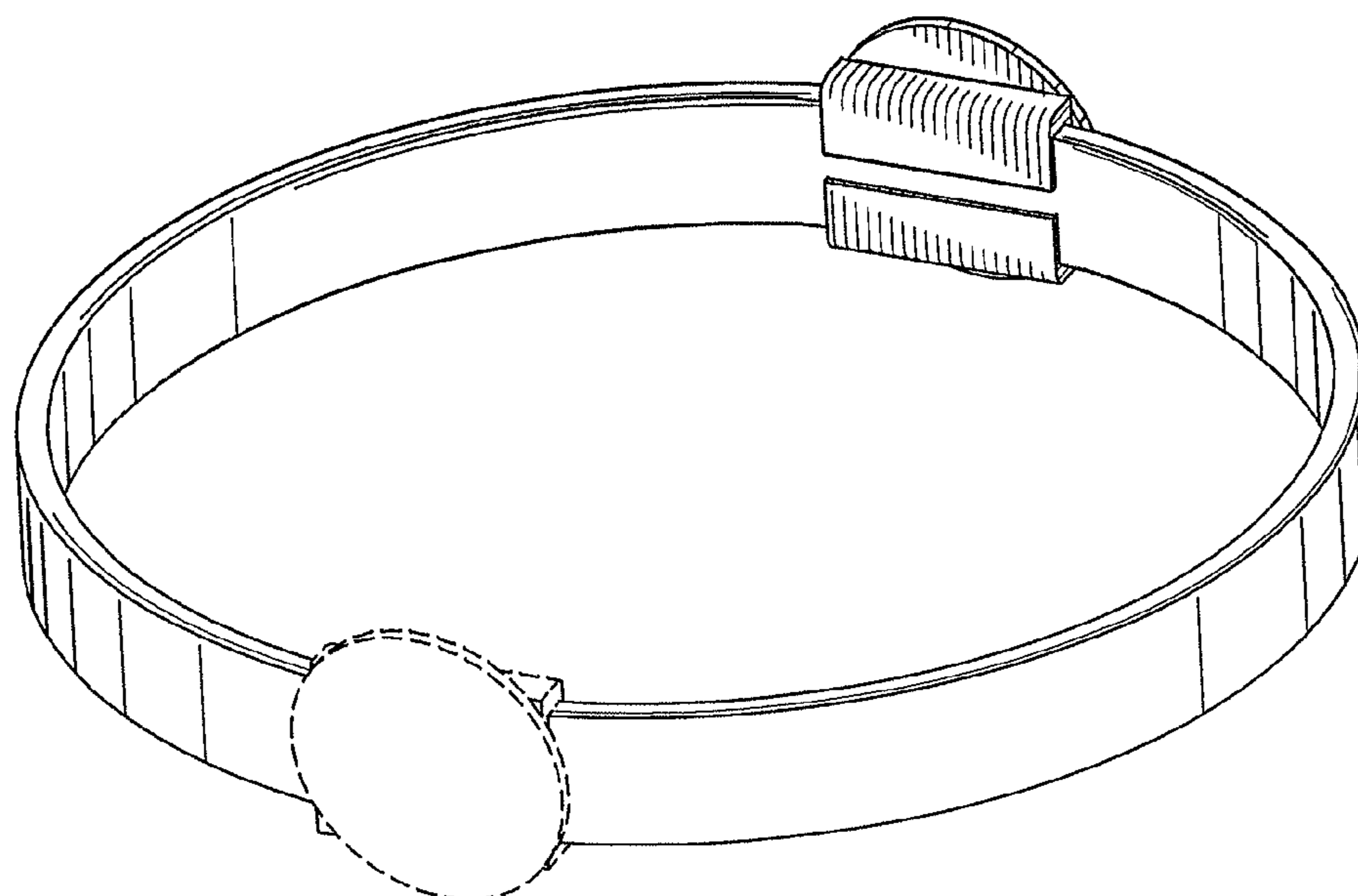


FIG. 2

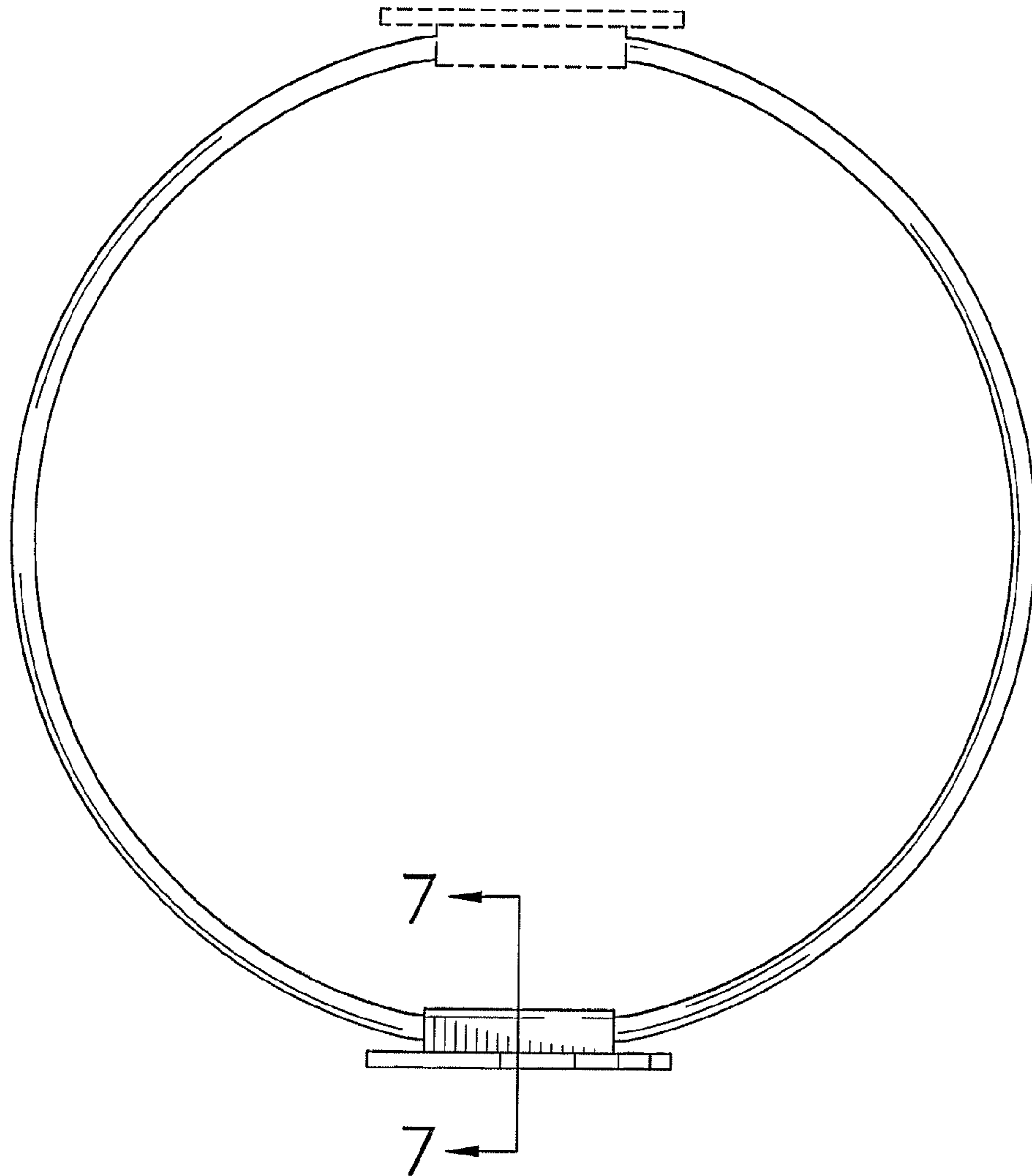


FIG. 3

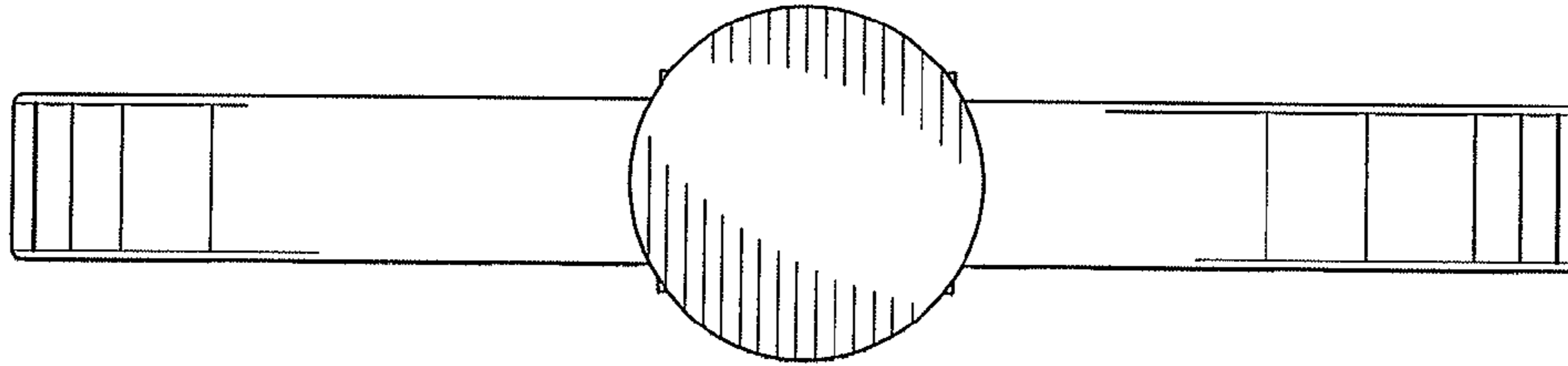


FIG. 4

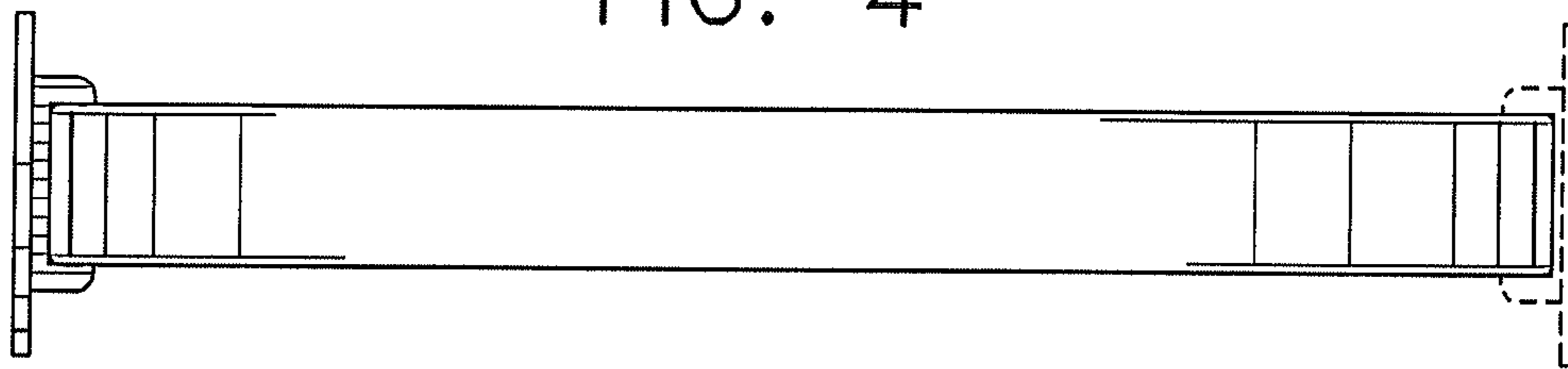


FIG. 5

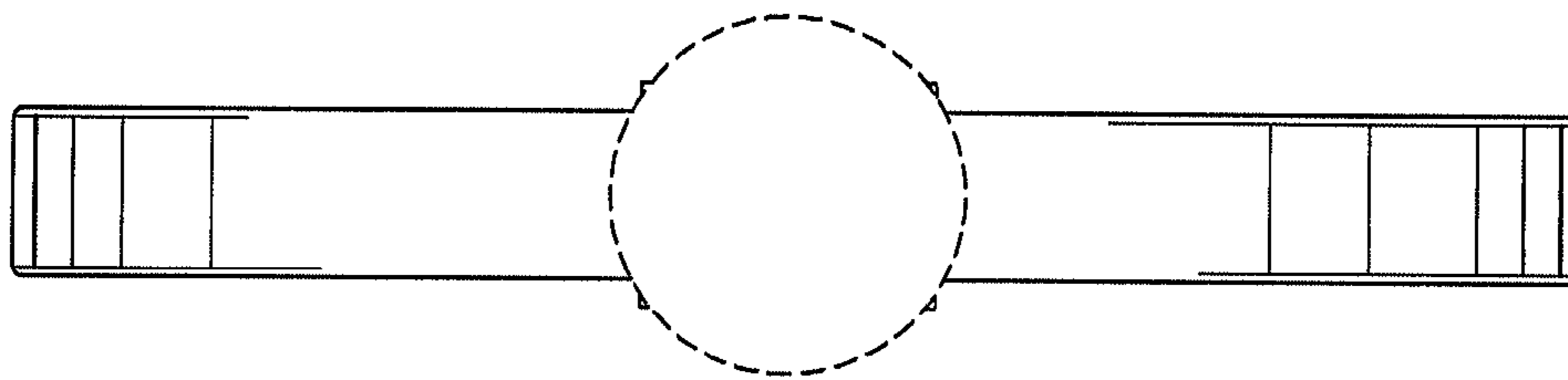


FIG. 6



FIG. 7