



US00D712771S

(12) **United States Design Patent**
Hudes

(10) **Patent No.:** **US D712,771 S**

(45) **Date of Patent:** **** Sep. 9, 2014**

(54) **JEWELRY ORNAMENT**

(71) Applicant: **Gary Hudes**, Levittown, NY (US)

(72) Inventor: **Gary Hudes**, Levittown, NY (US)

(**) Term: **14 Years**

(21) Appl. No.: **29/452,366**

(22) Filed: **Apr. 15, 2013**

(51) **LOC (10) Cl.** **11-01**

(52) **U.S. Cl.**

USPC **D11/1; D11/81**

(58) **Field of Classification Search**

CPC A44C 3/00; A44C 3/001; A44C 3/004;
A44C 15/0055; A44C 25/00; A44C 25/001;
A44C 25/007

USPC D11/1, 7, 8, 11, 40, 48, 79-86, 99, 108,
D11/109, 2; 63/1.11, 18, 20

See application file for complete search history.

[Online] <http://www.nyfirestore.com/item/gifts/fdny-maltese-charm/>. Accessed Apr. 10, 2014.*

[Online] http://www.gennarojewelers.com/Product/Fire_Jewelry/Fire_Jewelry/101193. Accessed Apr. 10, 2014.*

“Origin of the Maltese Cross”, http://www.nyc.gov/html/fdny/html/history/maltese_cross.shtml, posted at least as Dec. 6, 2012, Accessed Jun. 5, 2013.

“Maltese Cross History”, http://www.iaff-local3009.org/?zone=unionactive/view_article.cfm&HomeID=103204&page=Fire20Department20History, Accessed Jun. 5, 2013.

* cited by examiner

Primary Examiner — Garth Rademaker

Assistant Examiner — Melanie Pellegrini

(74) *Attorney, Agent, or Firm* — Muskin & Farmer LLC

(57) **CLAIM**

The ornamental design for a jewelry ornament, as shown and described.

(56) **References Cited**

U.S. PATENT DOCUMENTS

D39,848 S *	3/1909	Bush	D11/96
D40,709 S *	5/1910	Didcoct	D11/110
D41,692 S *	8/1911	Martin et al.	D11/96
D51,306 S *	9/1917	Kefer	D11/99
D359,514 S *	6/1995	Cusano	D20/42
D464,906 S *	10/2002	Dudenhoeffer	D11/95
D531,750 S *	11/2006	Lin	D26/139
D567,699 S *	4/2008	Jorgensen	D11/26
D571,439 S *	6/2008	Wellner et al.	D23/249

OTHER PUBLICATIONS

[Online] <http://www.nyfirestore.com/item/what-s-new/firefighter-charm/>. Accessed Apr. 10, 2014.*

DESCRIPTION

FIG. 1 is a front and right side orthogonal view of a jewelry ornament showing my new design;

FIG. 2 is a front and bottom orthogonal view thereof;

FIG. 3 is a front elevational view thereof;

FIG. 4 is a right side elevational view thereof;

FIG. 5 is a rear elevational view thereof;

FIG. 6 is a left side elevational view thereof;

FIG. 7 is a top plan view thereof; and,

FIG. 8 is a bottom plan view thereof.

The broken lines illustrate the environment of the ornament and form no part of the claimed design.

1 Claim, 3 Drawing Sheets

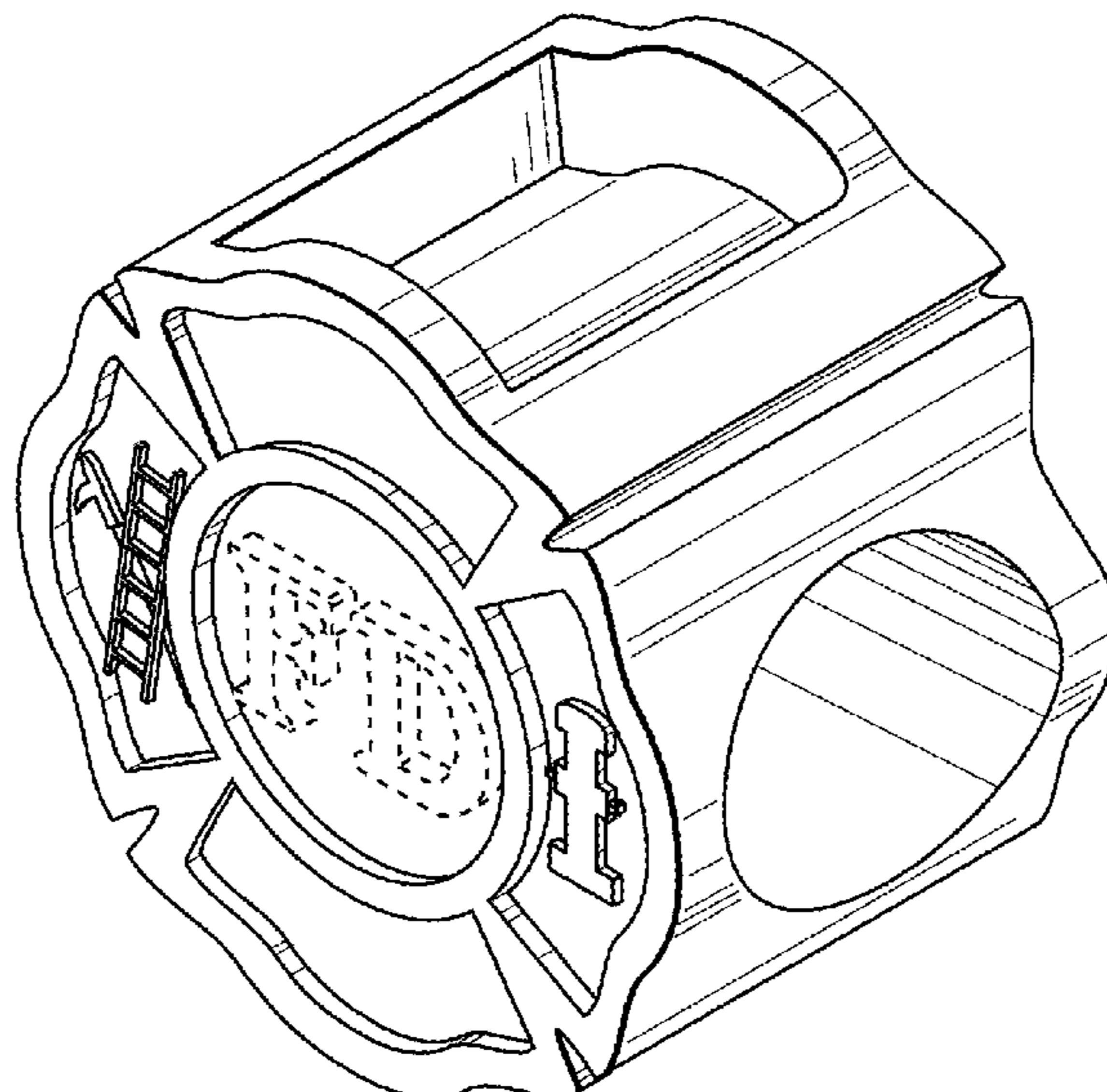


FIG. 1

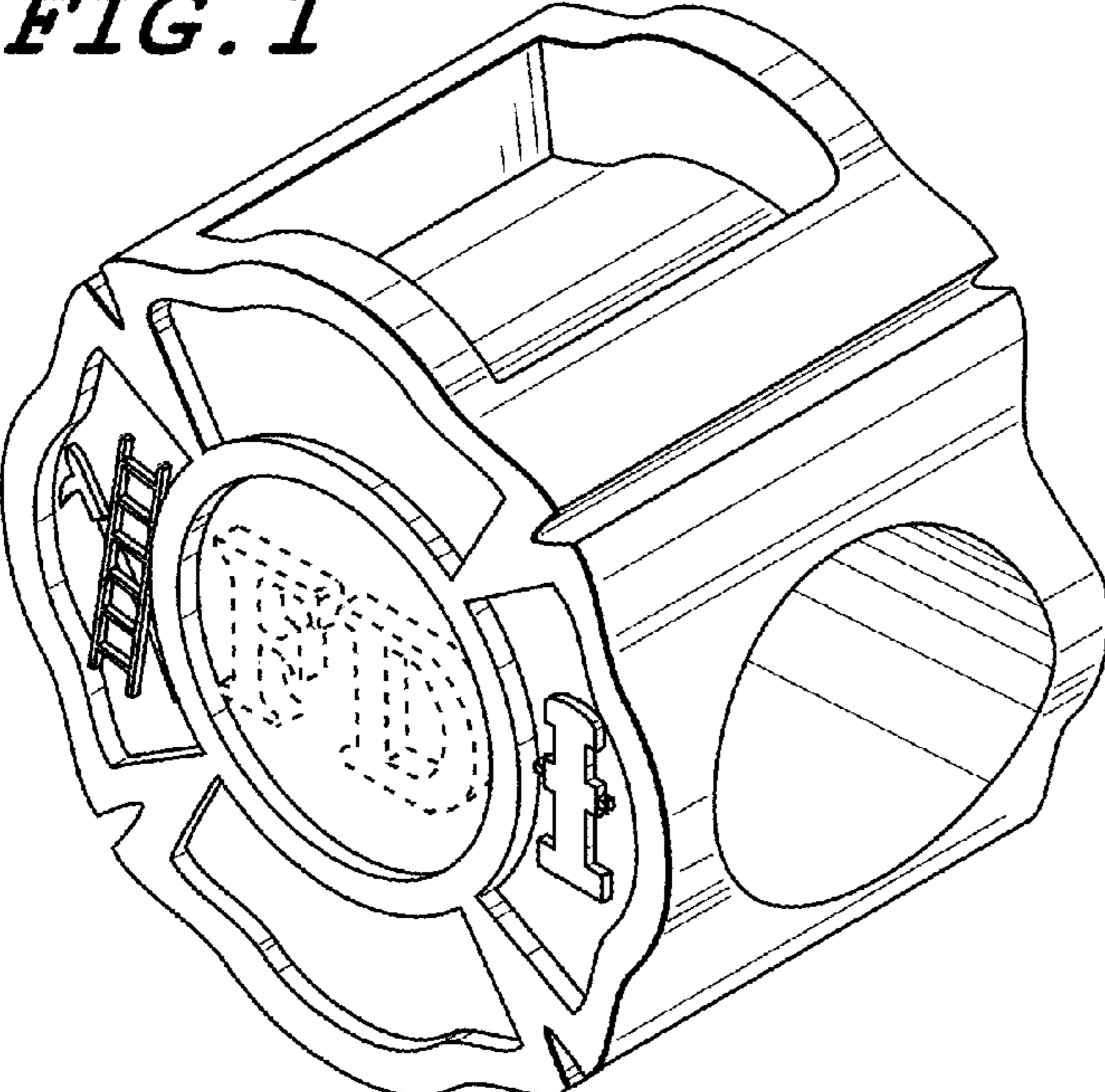


FIG. 2

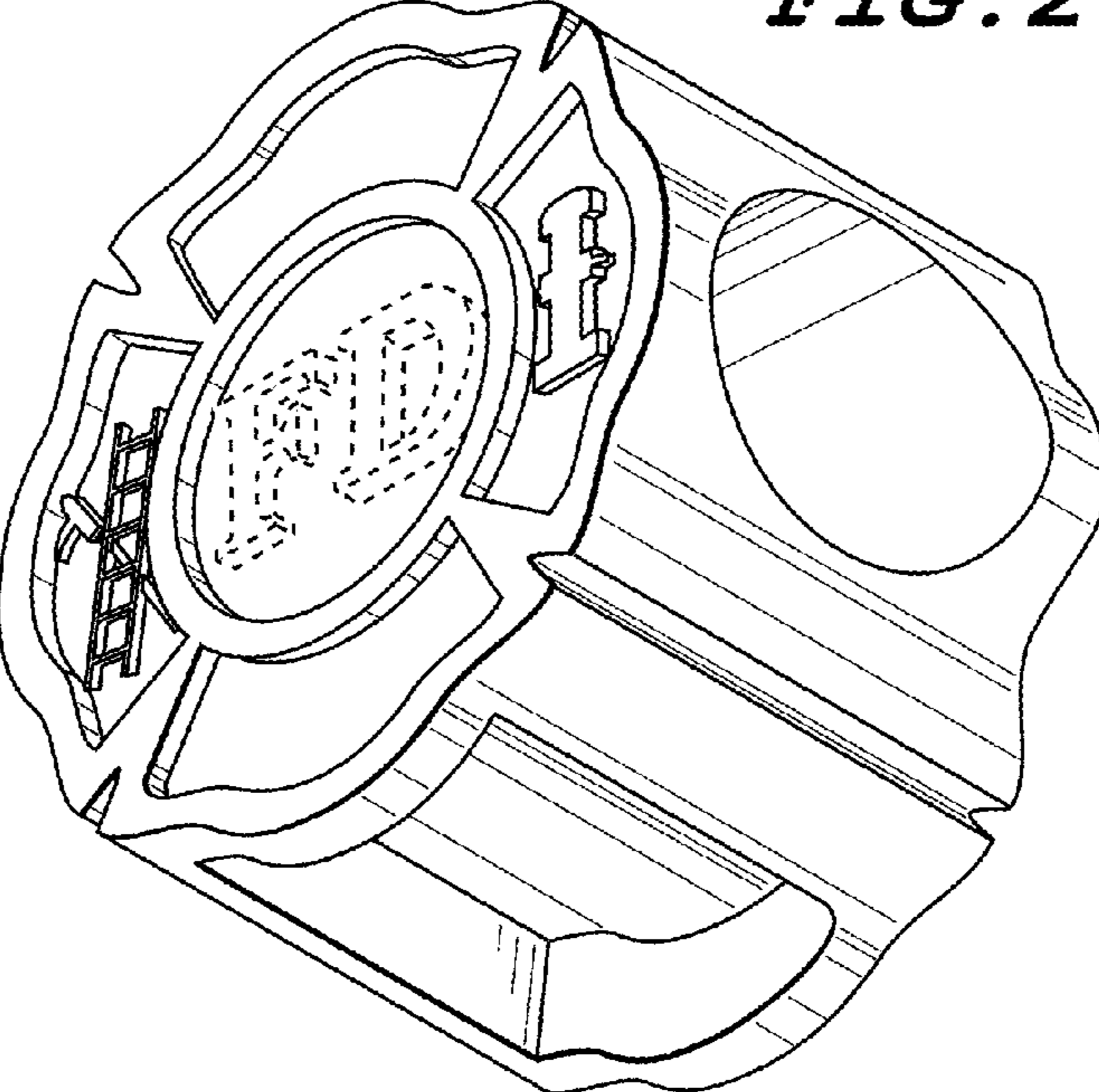


FIG. 3

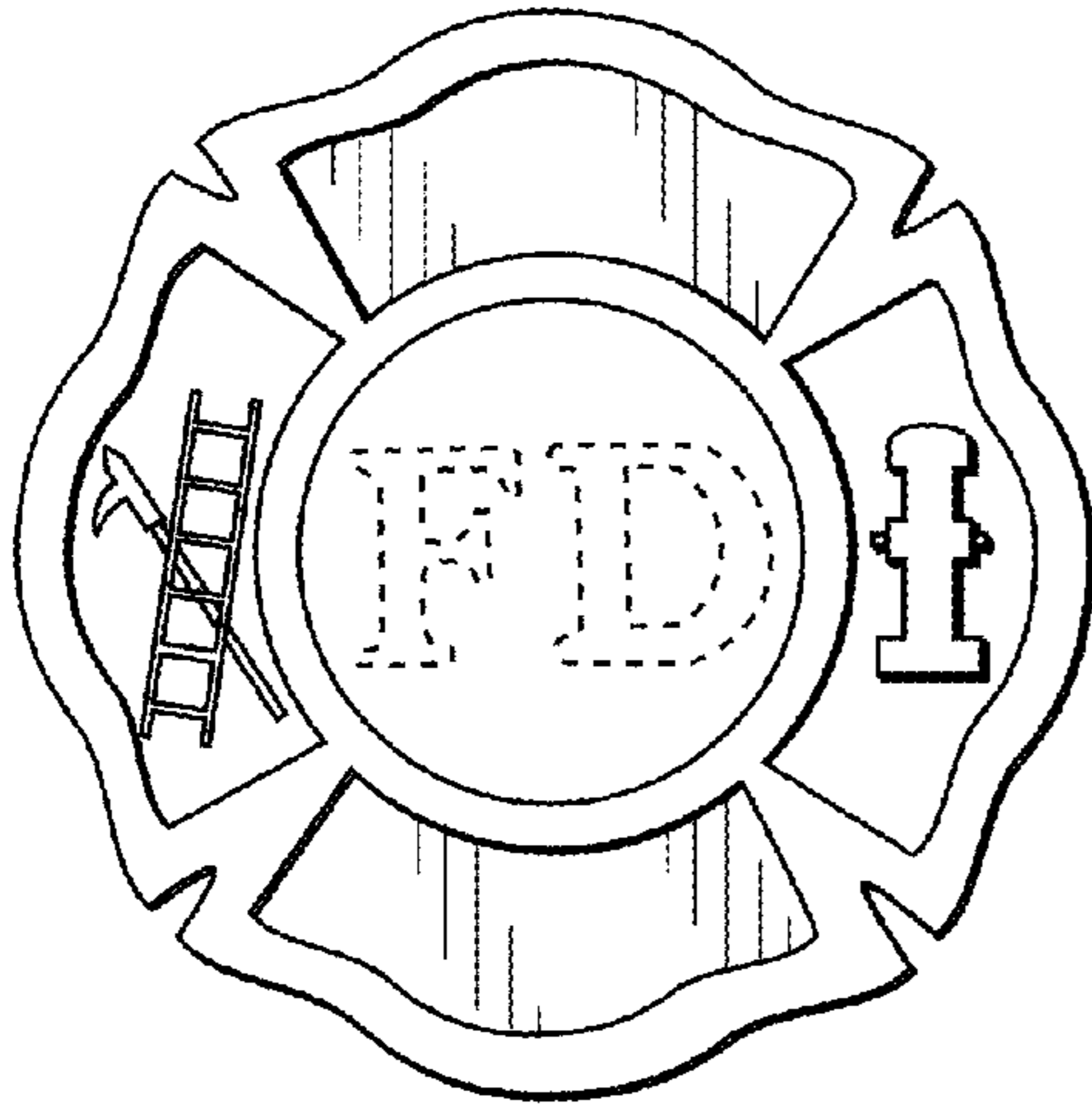


FIG. 4

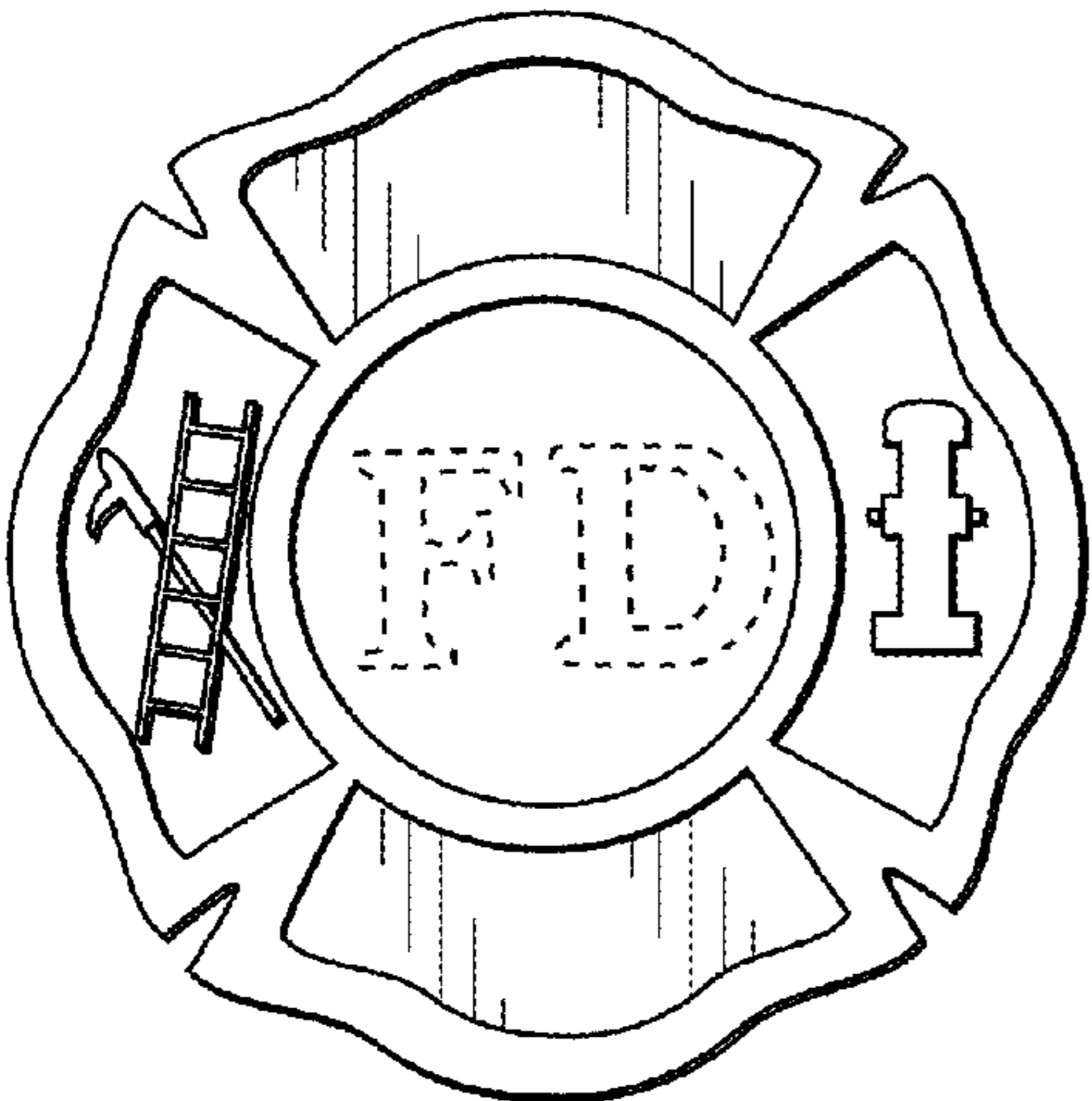
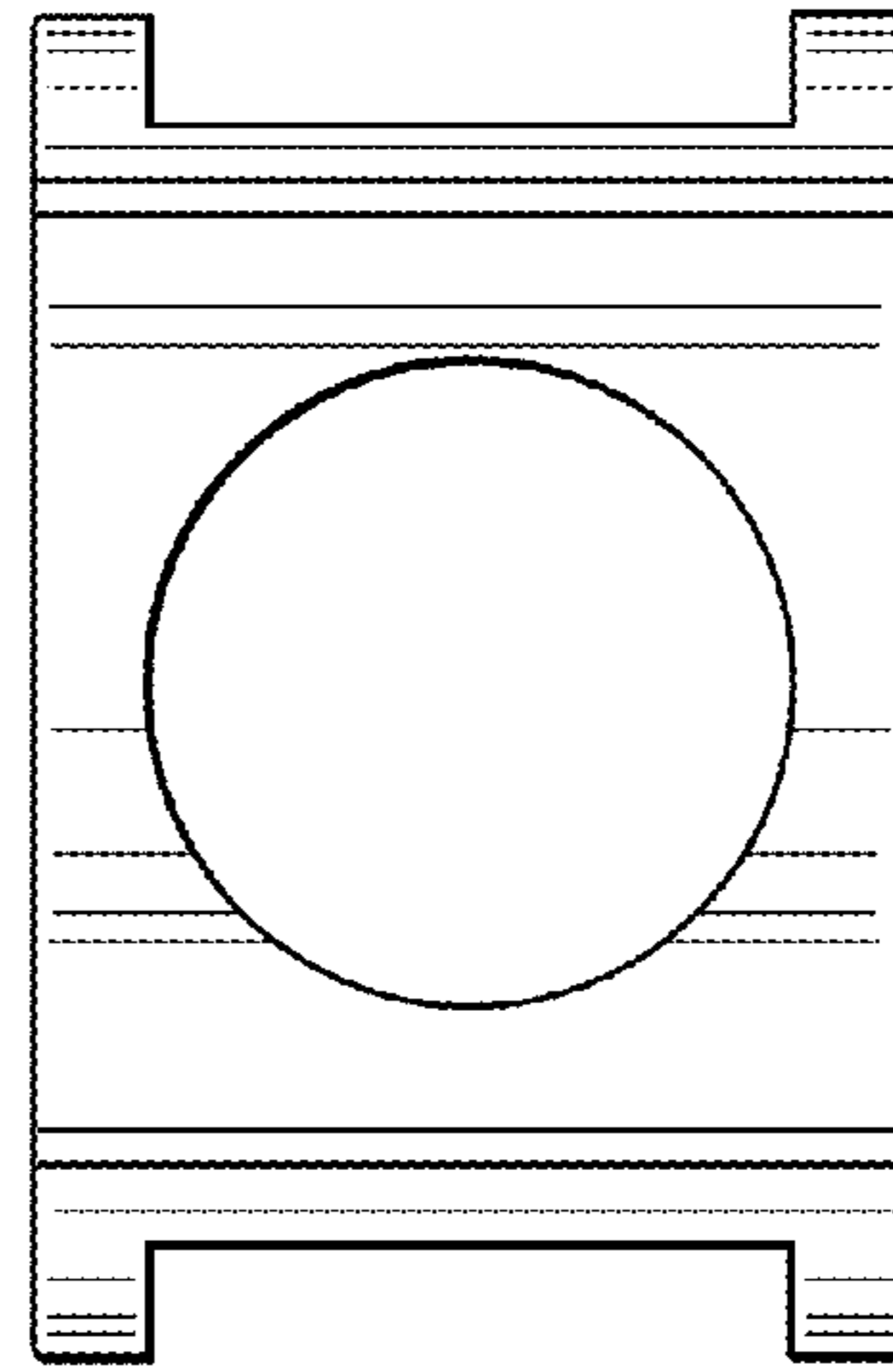


FIG. 5

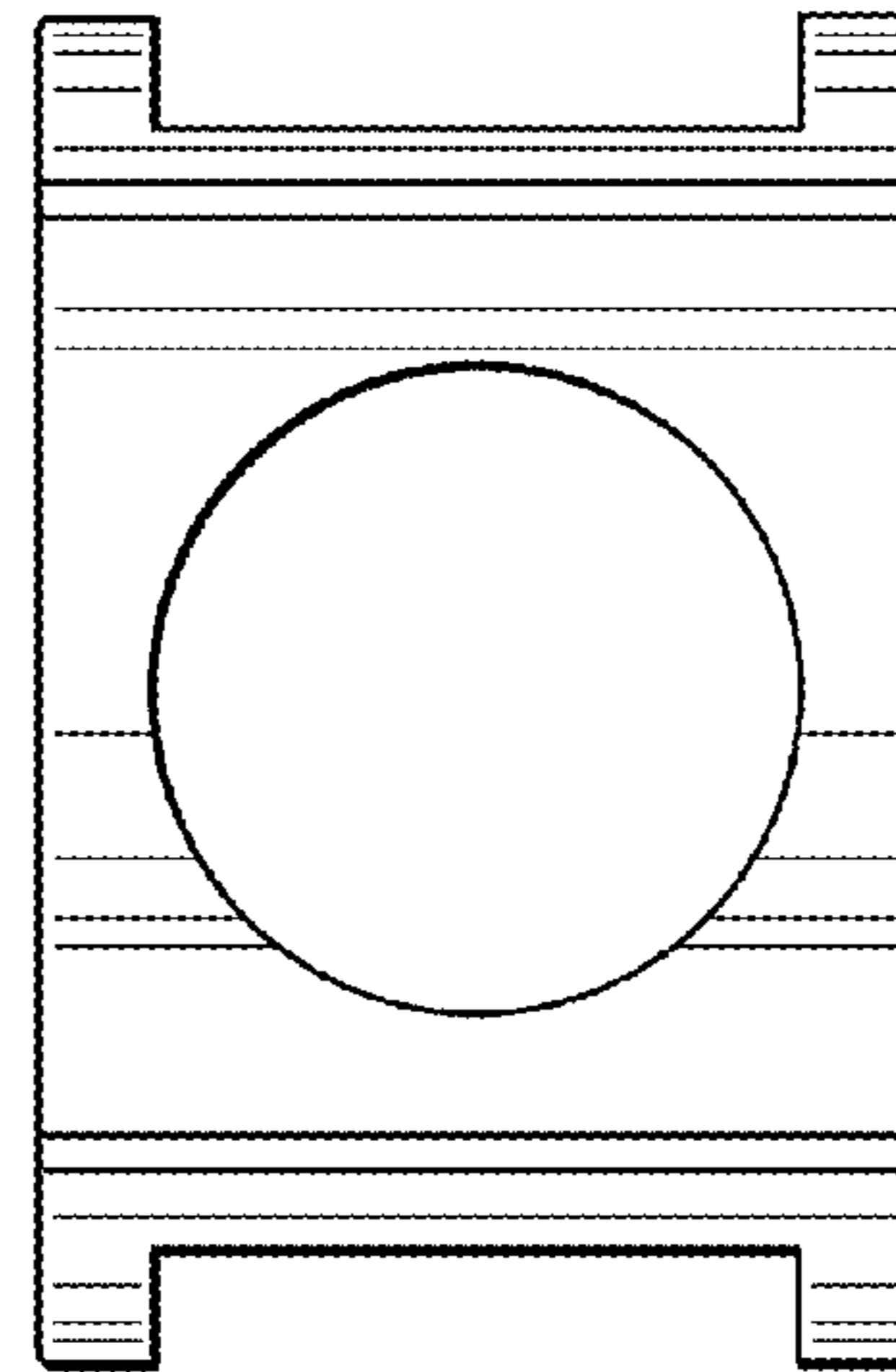


FIG. 6

FIG. 7

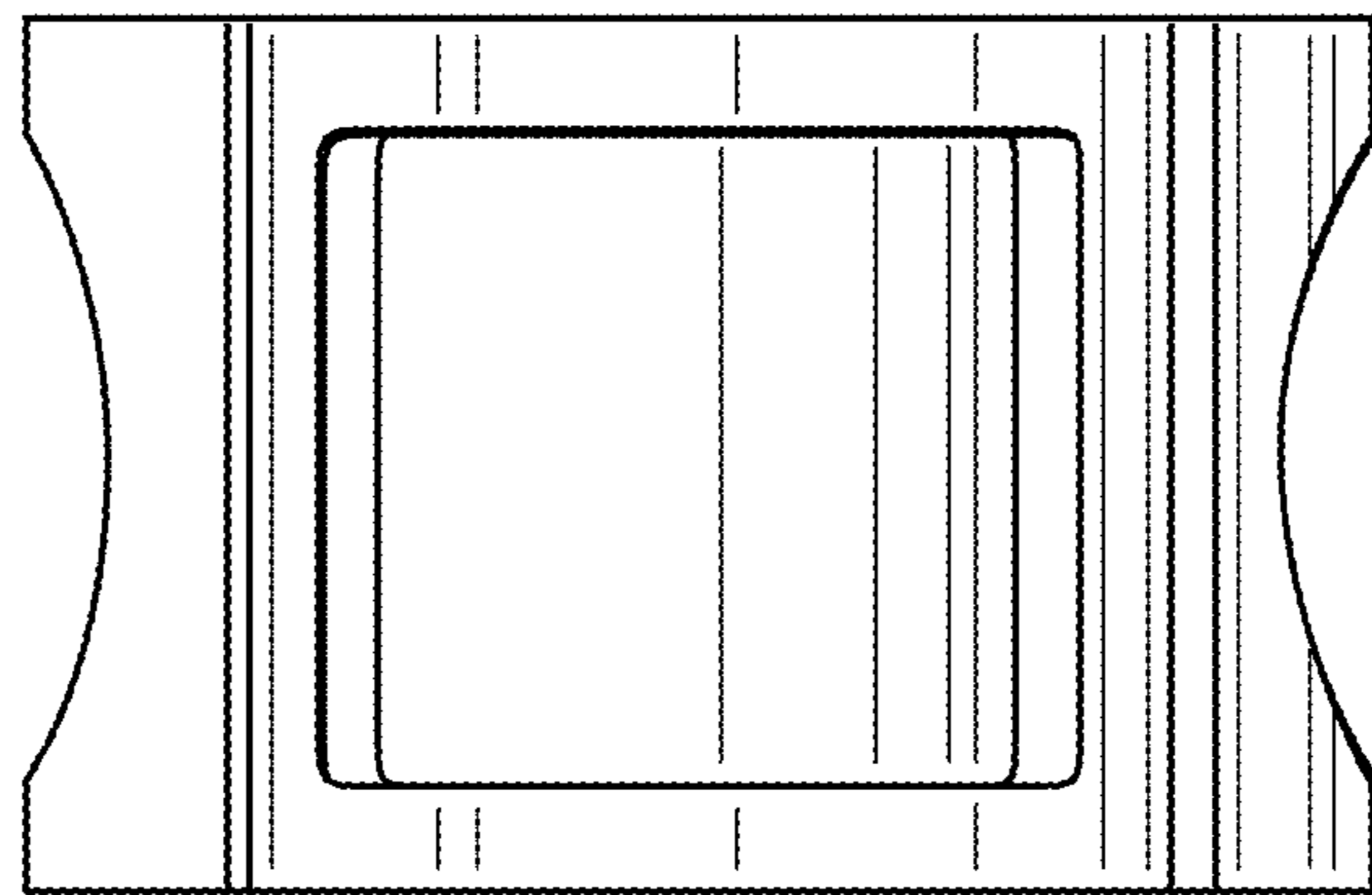
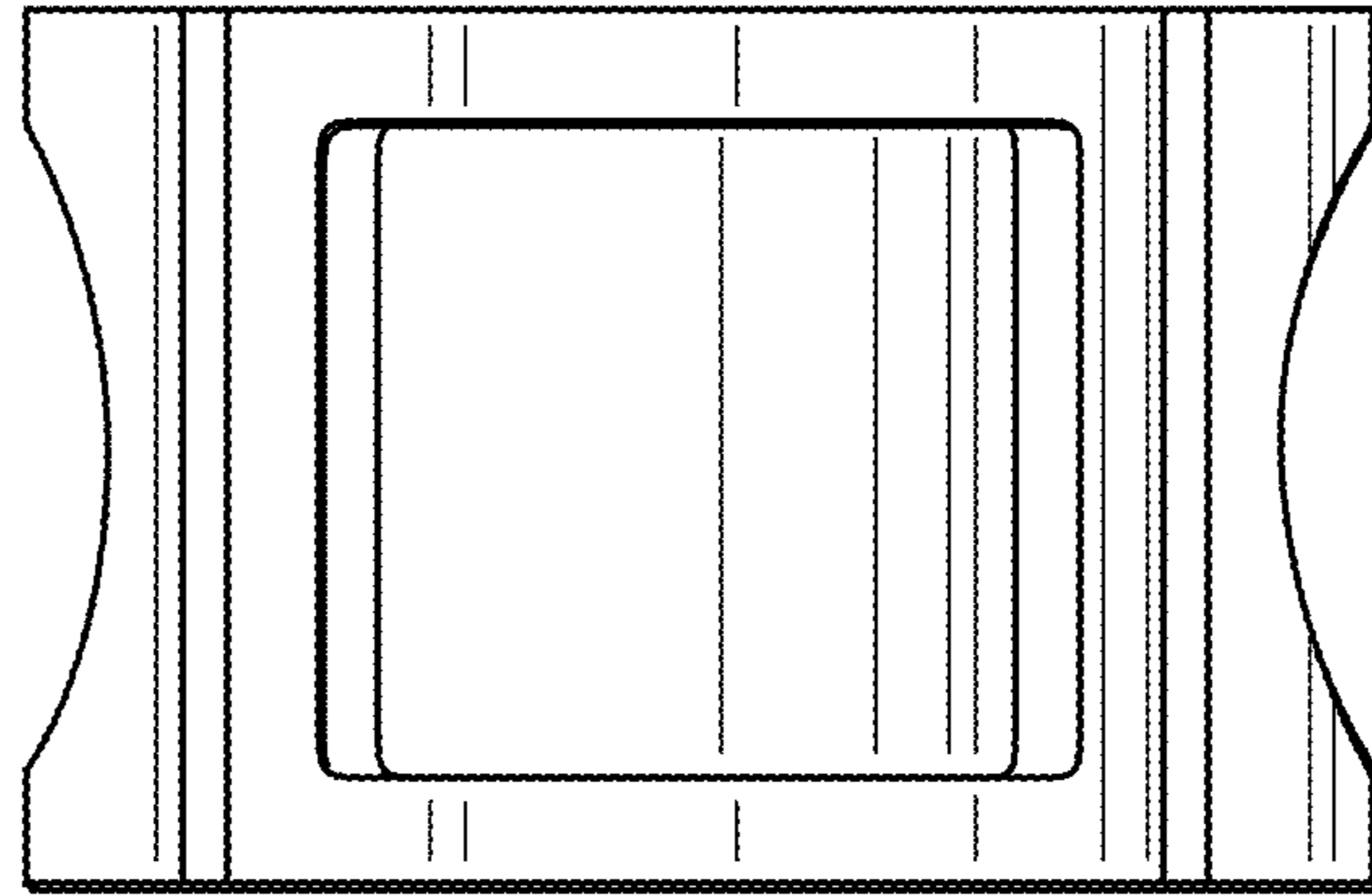


FIG. 8