



US00D712769S

(12) **United States Design Patent**
Betsinger

(10) **Patent No.:** **US D712,769 S**
(45) **Date of Patent:** **** Sep. 9, 2014**

(54) **SENSOR HOUSING FOR HYDRAULIC HOSE**

(75) Inventor: **James Dean Betsinger**, Waterville, OH
(US)

(73) Assignee: **Eaton Corporation**, Cleveland, OH
(US)

(**) Term: **14 Years**

(21) Appl. No.: **29/430,183**

(22) Filed: **Aug. 22, 2012**

(51) **LOC (10) Cl.** **10-04**

(52) **U.S. Cl.**

USPC **D10/101**; D10/96

(58) **Field of Classification Search**

CPC F16I 11/127; F16I 11/12; F16I 25/01;
F16I 2201/30; F16I 57/06; F16I 55/11;
G01M 3/18; G01M 3/16; G01M 3/24; G01M
3/182; G01M 3/022; G01M 3/02; G01M
3/047; G01M 3/38; G01M 3/283; G01N
27/24; G01N 3/12

USPC D10/46, 96, 101; 73/40, 49.5, 49.1,
73/49.2, 40.5 R, 763, 63; 137/312;
138/104, 125, 127, 123; 174/11 R;
285/8, 10; 340/438, 604, 605, 618.3,
340/618, 620; 702/34, 35, 185; 116/208

See application file for complete search history.

(56) **References Cited**

U.S. PATENT DOCUMENTS

3,555,887	A	1/1971	Wood	
4,061,015	A *	12/1977	Fish	73/49.5
4,887,646	A *	12/1989	Groves	138/90
D336,889	S	6/1993	Boyer	
5,390,964	A *	2/1995	Gray, Jr.	285/93
5,489,126	A *	2/1996	Gray, Jr.	285/93
5,517,174	A *	5/1996	Barrows	340/431
5,634,497	A	6/1997	Neto	
5,969,618	A	10/1999	Redmond	
5,992,218	A	11/1999	Tryba	

D424,461	S	5/2000	Taylor	
6,386,237	B1	5/2002	Chevalier et al.	
D464,031	S	10/2002	Gillingham	
6,498,991	B1 *	12/2002	Phelan et al.	702/34
D557,657	S	12/2007	Yabe et al.	
7,387,012	B2 *	6/2008	Spaolozzi et al.	73/49.1

(Continued)

OTHER PUBLICATIONS

Eaton Corporation Brochure—Lifesense Hydraulic Hose Condition Monitoring 3 pages, Document No. E-HOOV-MR011-E, Printed in USA, Mar. 2011.

Primary Examiner — Antoine D Davis

(74) *Attorney, Agent, or Firm* — Jarrett D. Millar

(57) **CLAIM**

The ornamental design for a sensor housing for hydraulic hose, as shown and described.

DESCRIPTION

FIG. 1 is a perspective view of a sensor housing for hydraulic hose showing my new design

FIG. 2 is an alternate perspective view of the sensor housing for hydraulic hose of FIG. 1.

FIG. 3 is a left elevation view of the sensor housing for hydraulic hose of FIG. 1.

FIG. 4 is a right elevation view of the sensor housing for hydraulic hose of FIG. 1.

FIG. 5 is a bottom plan view of the sensor housing for hydraulic hose of FIG. 1.

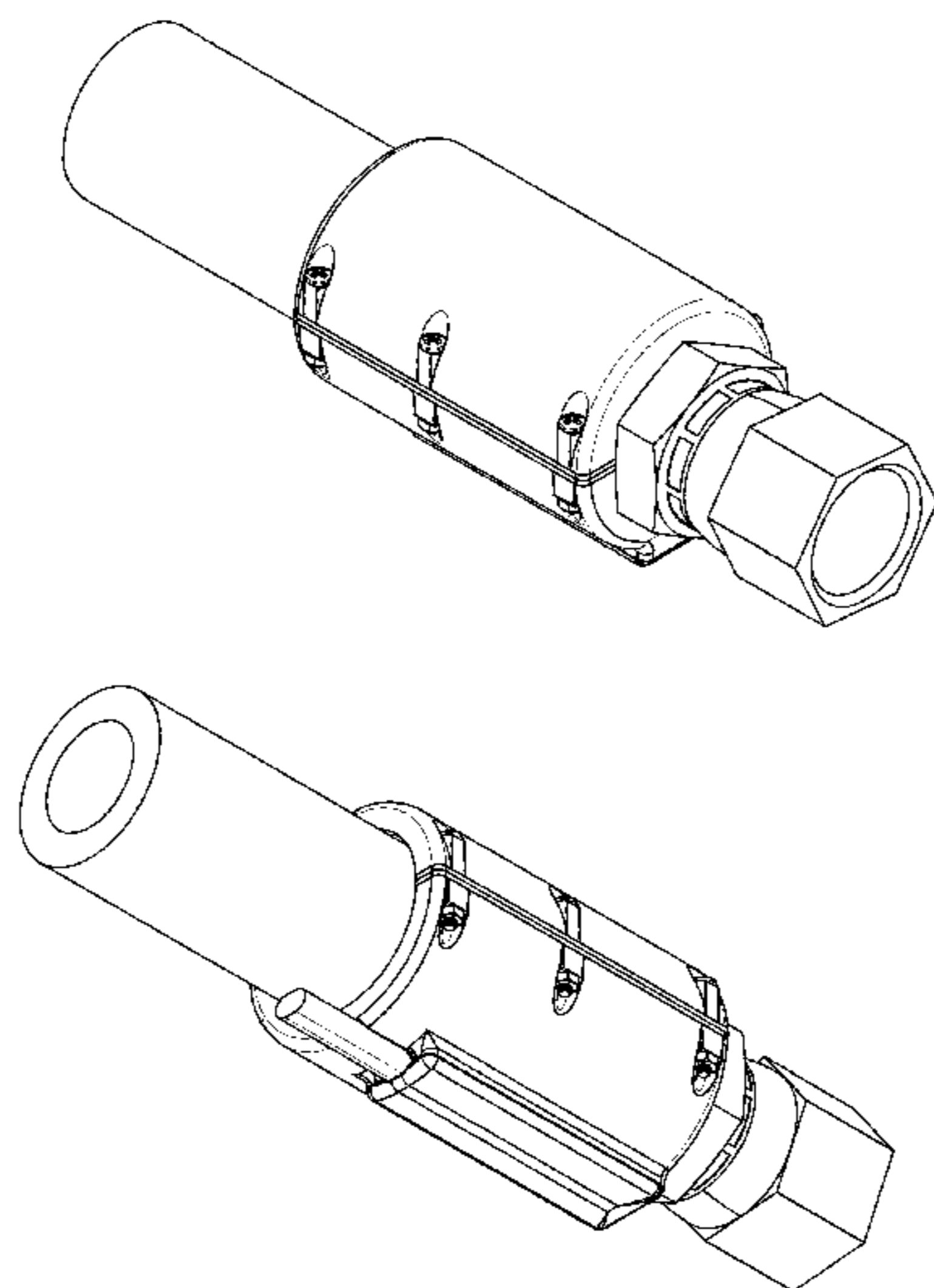
FIG. 6 is a top plan view of the sensor housing for hydraulic hose of FIG. 1.

FIG. 7 is a front elevation view of the sensor housing for hydraulic hose of FIG. 1; and,

FIG. 8 is a back elevation view of the sensor housing for hydraulic hose of FIG. 1.

The broken lines illustrate portions of the sensor housing for hydraulic hose which form no part of the claimed design.

1 Claim, 4 Drawing Sheets



US D712,769 S

Page 2

(56)

References Cited

U.S. PATENT DOCUMENTS

D575,280 S	8/2008	Marquez	7,555,936 B2	7/2009	Deckard	
D576,901 S	9/2008	Fraser et al.	D694,140 S *	11/2013	Betsinger	D10/96
7,509,841 B2 *	3/2009	Spalozzi et al.	2009/0223584 A1 *	9/2009	Gray	138/109
		73/49.1	2014/0000742 A1 *	1/2014	Betsinger et al.	138/36

* cited by examiner

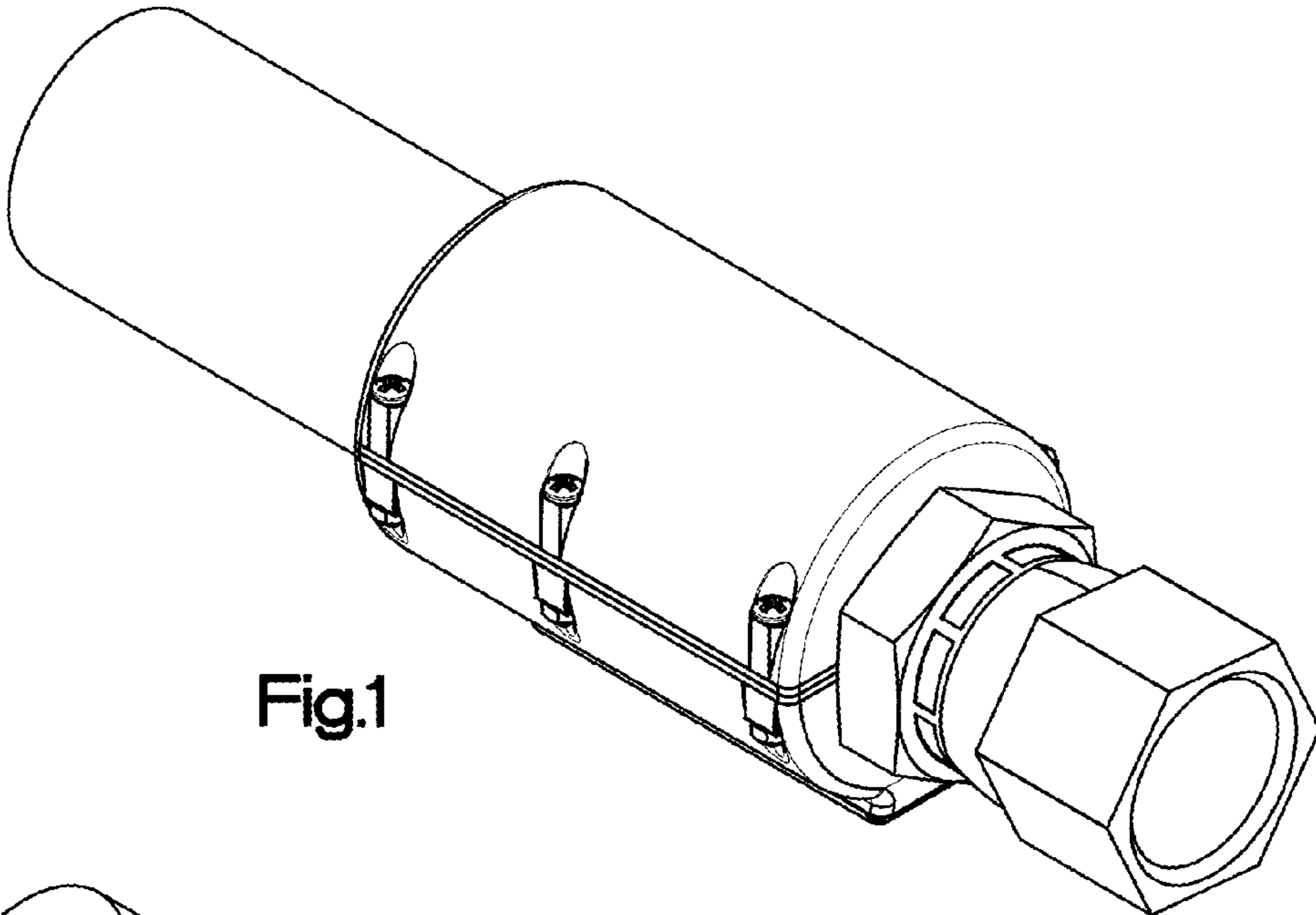


Fig.1

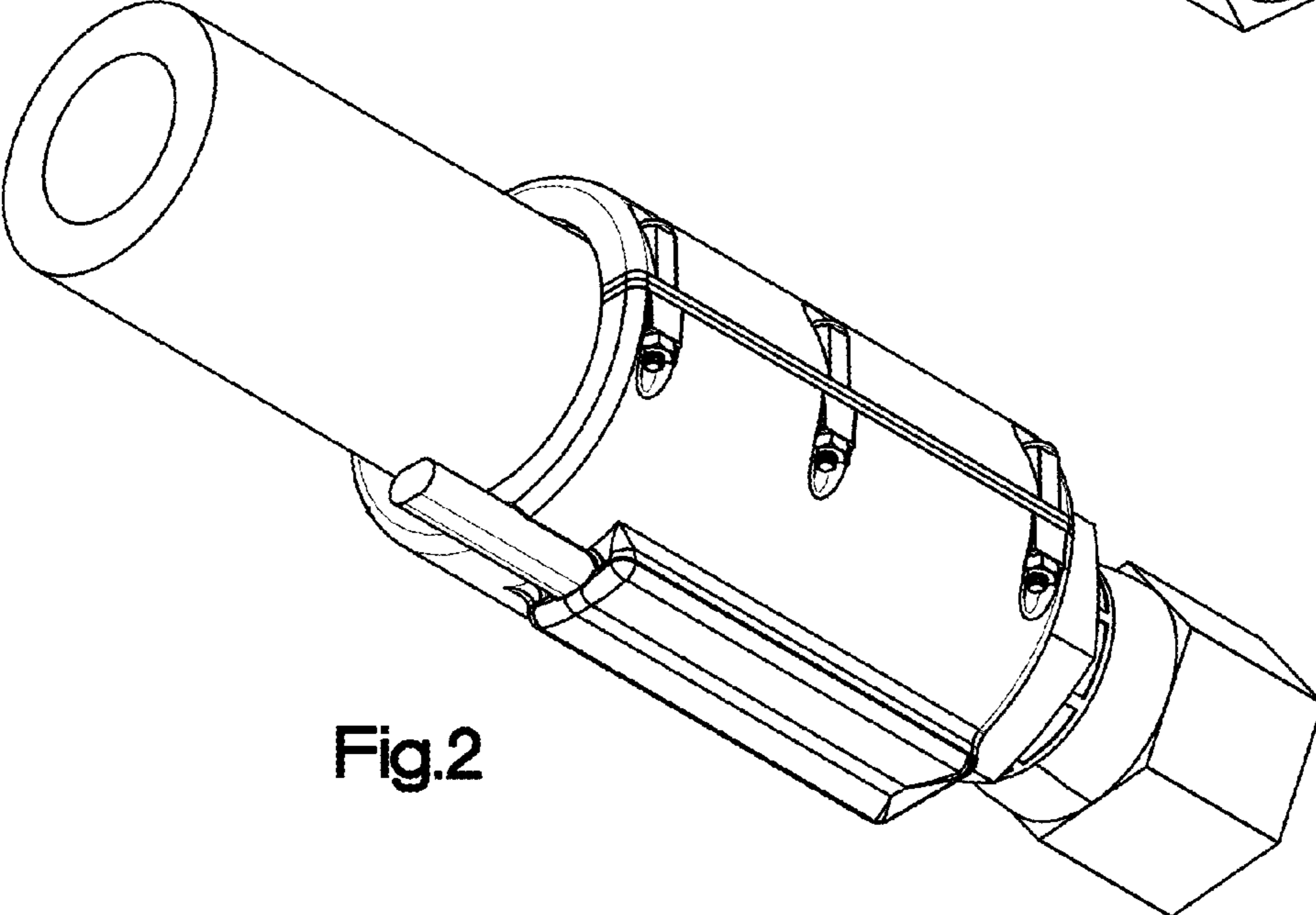


Fig.2

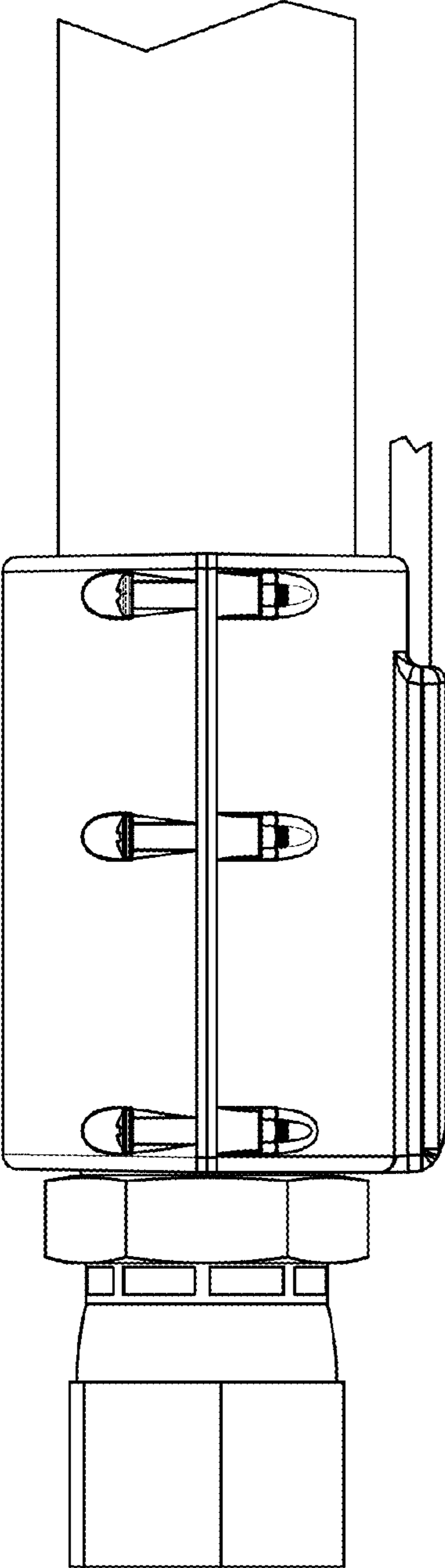


Fig.3

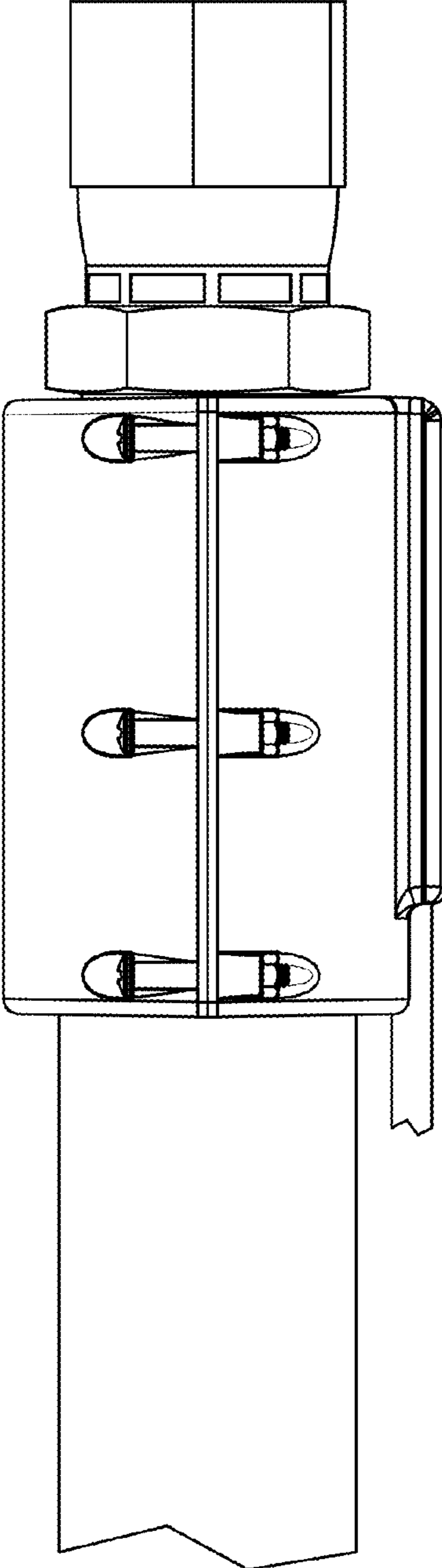


Fig.4

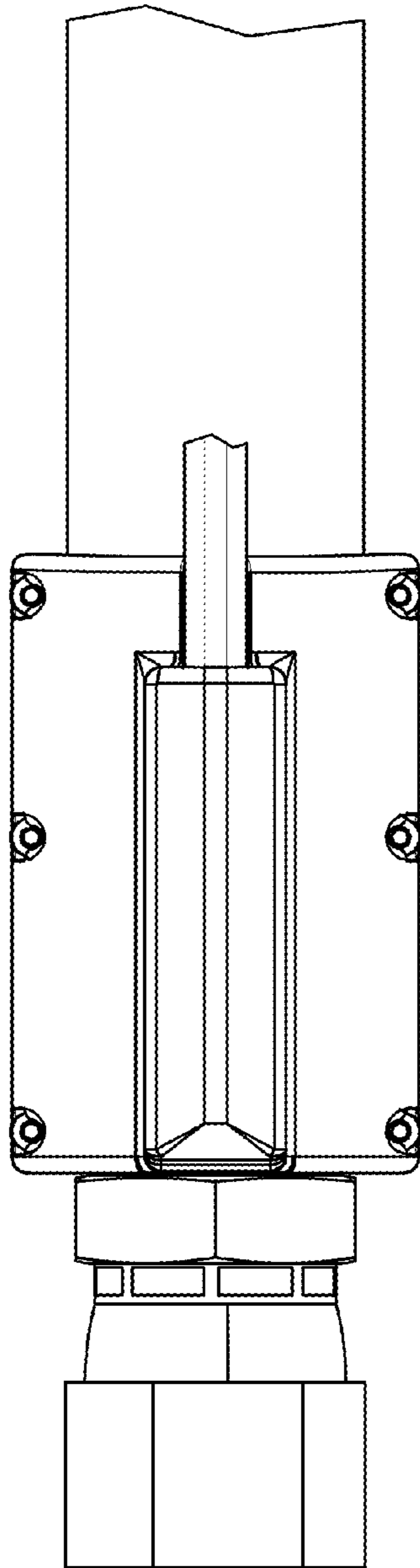


Fig.5

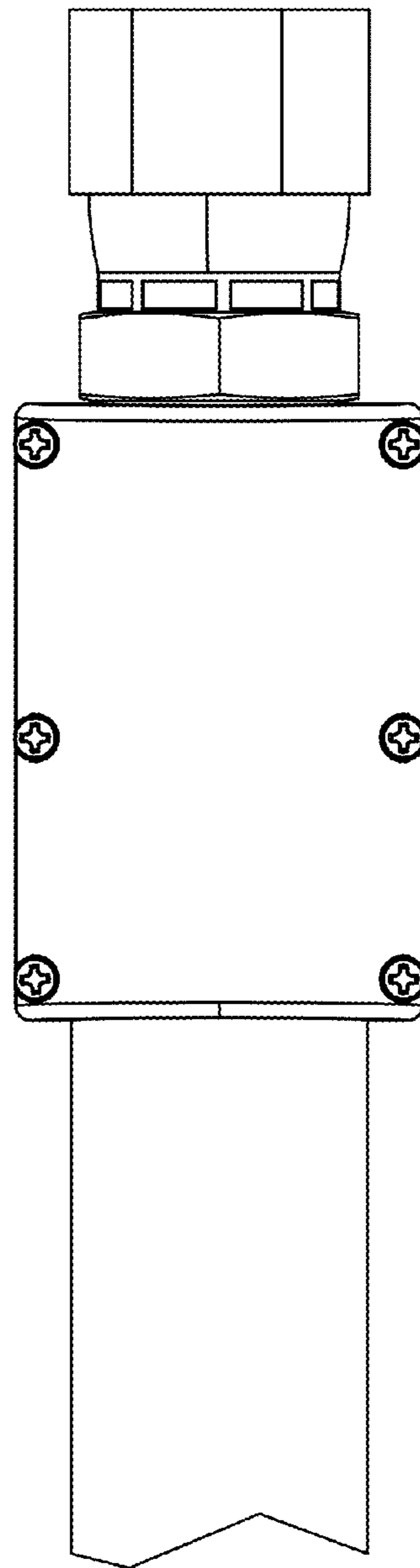


Fig.6

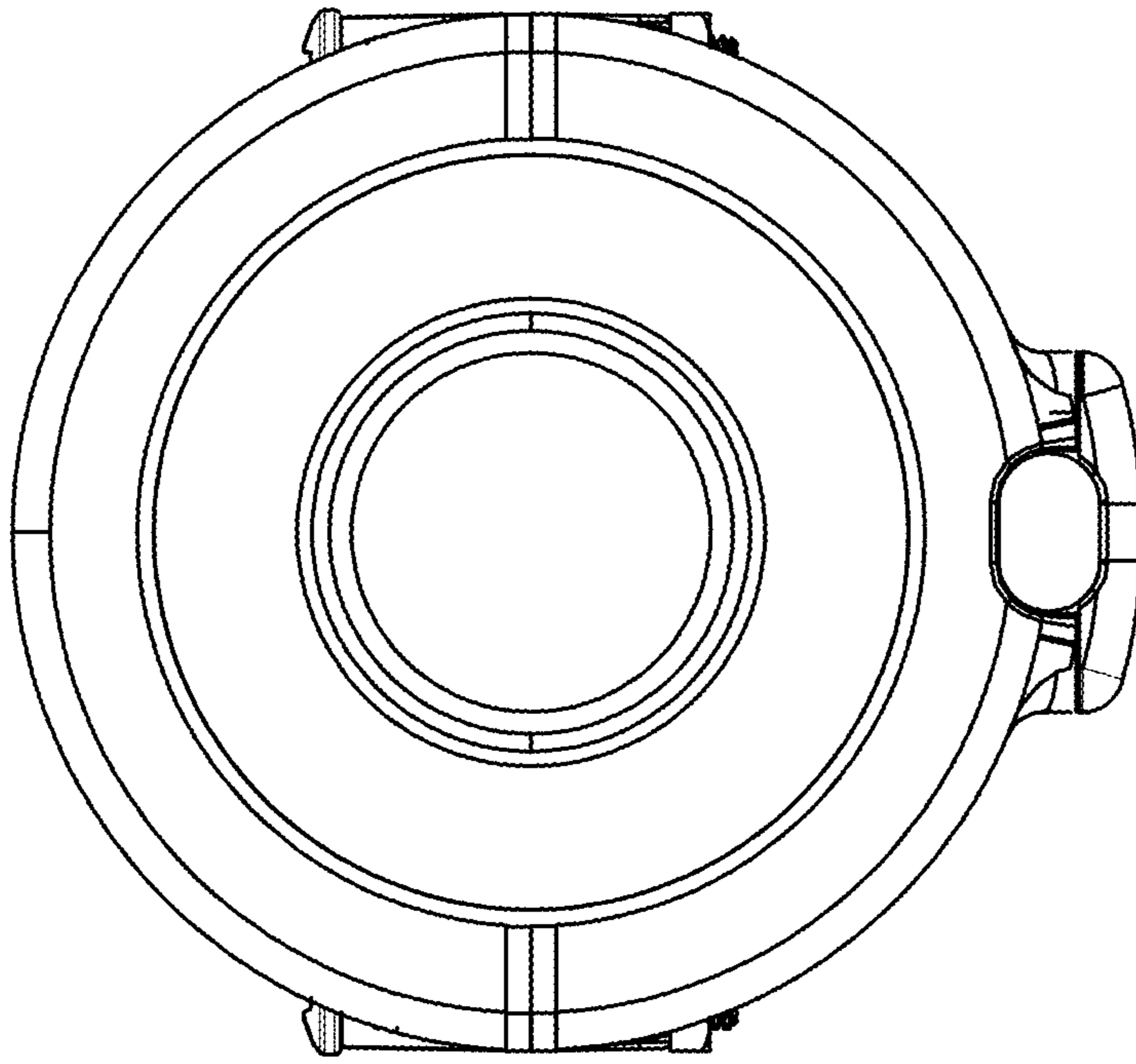


Fig.8

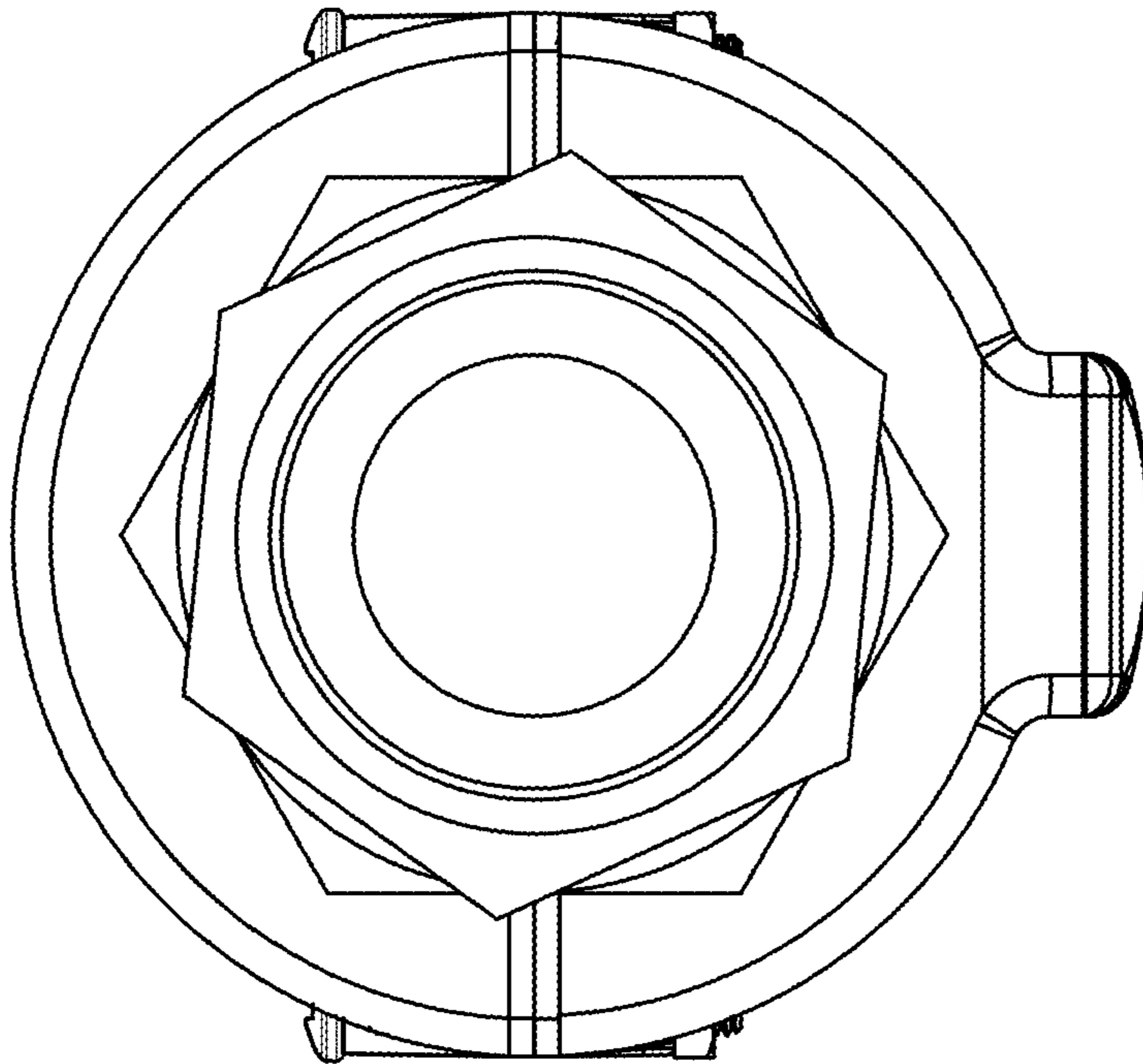


Fig.7