



US00D712768S

(12) **United States Design Patent**
Ueda et al.

(10) **Patent No.:** **US D712,768 S**

(45) **Date of Patent:** **** Sep. 9, 2014**

(54) **ROTATION DETECTOR FOR A BICYCLE**

(56)

References Cited

(71) Applicants: **Takashi Ueda**, Osaka (JP); **Toshiyuki Nagano**, Osaka (JP); **Yoji Okuda**, Osaka (JP)

(72) Inventors: **Takashi Ueda**, Osaka (JP); **Toshiyuki Nagano**, Osaka (JP); **Yoji Okuda**, Osaka (JP)

(73) Assignee: **Cateye Co., Ltd.**, Higashisumioyshi-ku, Osaka-shi, Osaka

(**) Term: **14 Years**

(21) Appl. No.: **29/453,038**

(22) Filed: **Apr. 24, 2013**

(51) **LOC (10) Cl.** **10-04**

(52) **U.S. Cl.**
USPC **D10/98; D10/97**

(58) **Field of Classification Search**
CPC B62J 99/00; B62J 2099/002; B62K 2207/00; G01P 3/487; G01P 3/489; G01P 1/00; G01P 1/04; G01P 1/06; G01P 1/10; G01P 1/026; G01C 22/002; G01D 5/145; G01D 11/245
USPC D10/97, 98; 73/514.39, 865.9, 489, 73/862.331–862.336; 280/200; 324/167, 324/174, 207.22, 168, 171, 433, 207.25, 324/207.15–207.17, 173, 207.11, 207.13; 338/32 H, 32 R; 340/539.1, 432, 693.9; 361/380, 395, 399; 455/62, 63.3

See application file for complete search history.

U.S. PATENT DOCUMENTS

5,511,435	A *	4/1996	Kitamura et al.	73/865.9
5,880,585	A *	3/1999	Oguro	324/174
6,552,533	B2 *	4/2003	Schodlbauer et al. ...	324/207.22
6,809,513	B2 *	10/2004	Terui et al.	324/207.25
D505,875	S *	6/2005	Okuda et al.	D10/98
D571,243	S *	6/2008	Okuda	D10/98
D589,827	S	4/2009	Ueda	
D618,571	S *	6/2010	Okuda	D10/98
7,812,713	B2 *	10/2010	Montagnon et al.	340/432
8,324,887	B2 *	12/2012	Fuhrer	324/160
8,450,999	B2 *	5/2013	Wolschlagel et al. ...	324/207.25

FOREIGN PATENT DOCUMENTS

TW 416403 12/2000

* cited by examiner

Primary Examiner — Antoine D Davis

(74) *Attorney, Agent, or Firm* — Olson & Cepuritis, Ltd.

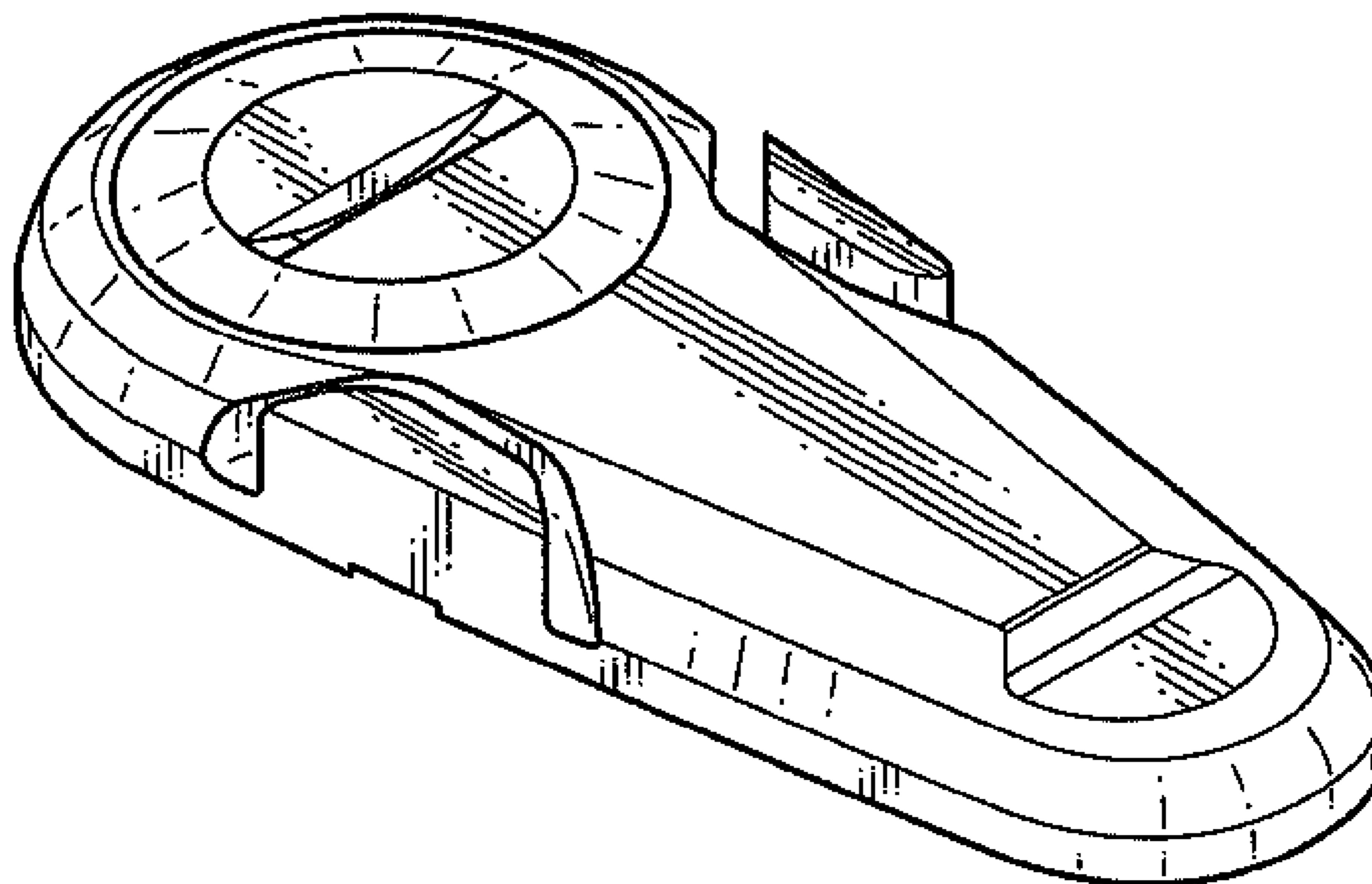
(57) **CLAIM**

The ornamental design for a rotation detector for a bicycle, as shown.

DESCRIPTION

FIG. 1 is a perspective view of a rotation detector for a bicycle showing our new design;
FIG. 2 is a front view thereof;
FIG. 3 is a rear view thereof;
FIG. 4 is a top plan view thereof;
FIG. 5 is a bottom plan view thereof;
FIG. 6 is a right side view thereof; and,
FIG. 7 is a left side view thereof.

1 Claim, 5 Drawing Sheets



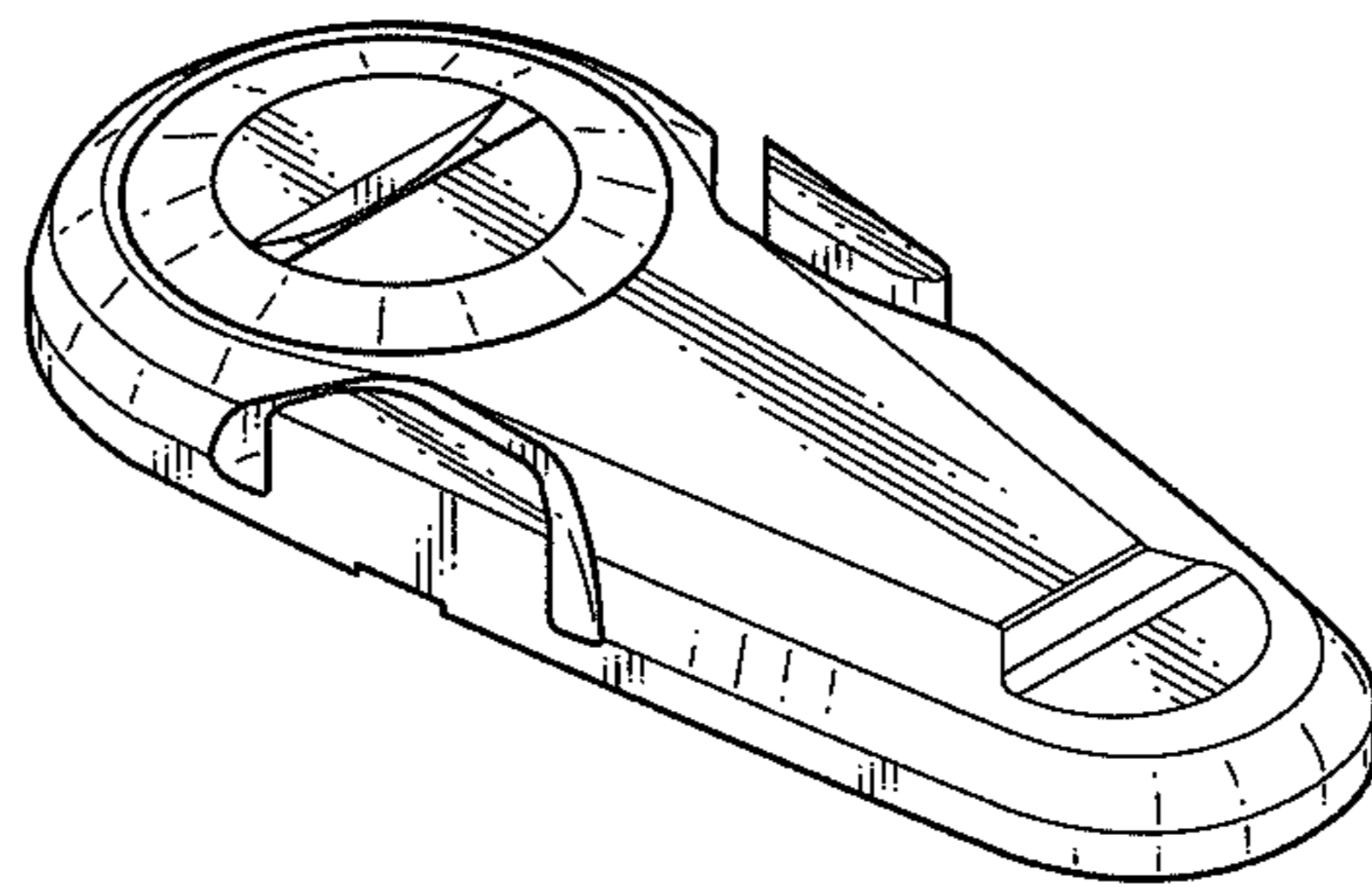


Fig. 1

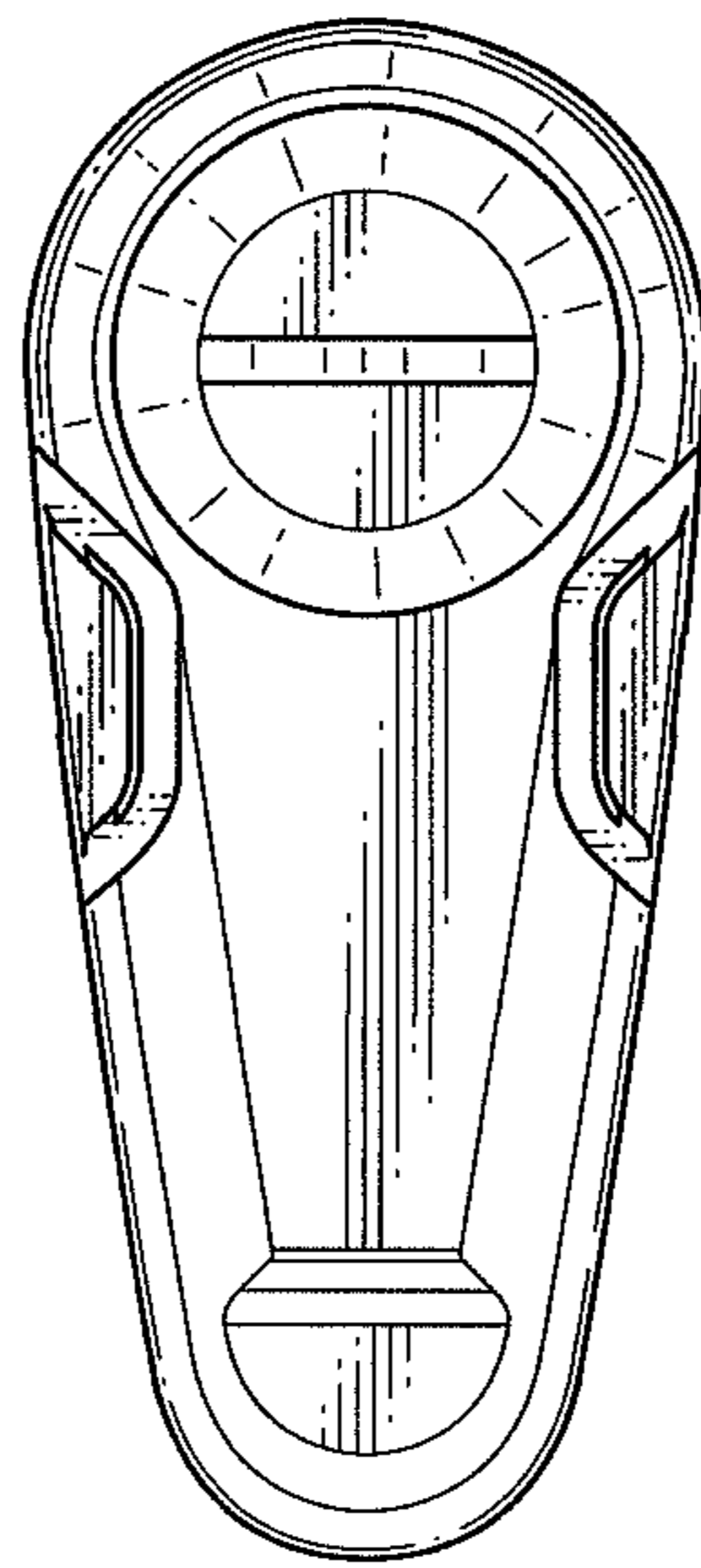


Fig. 2

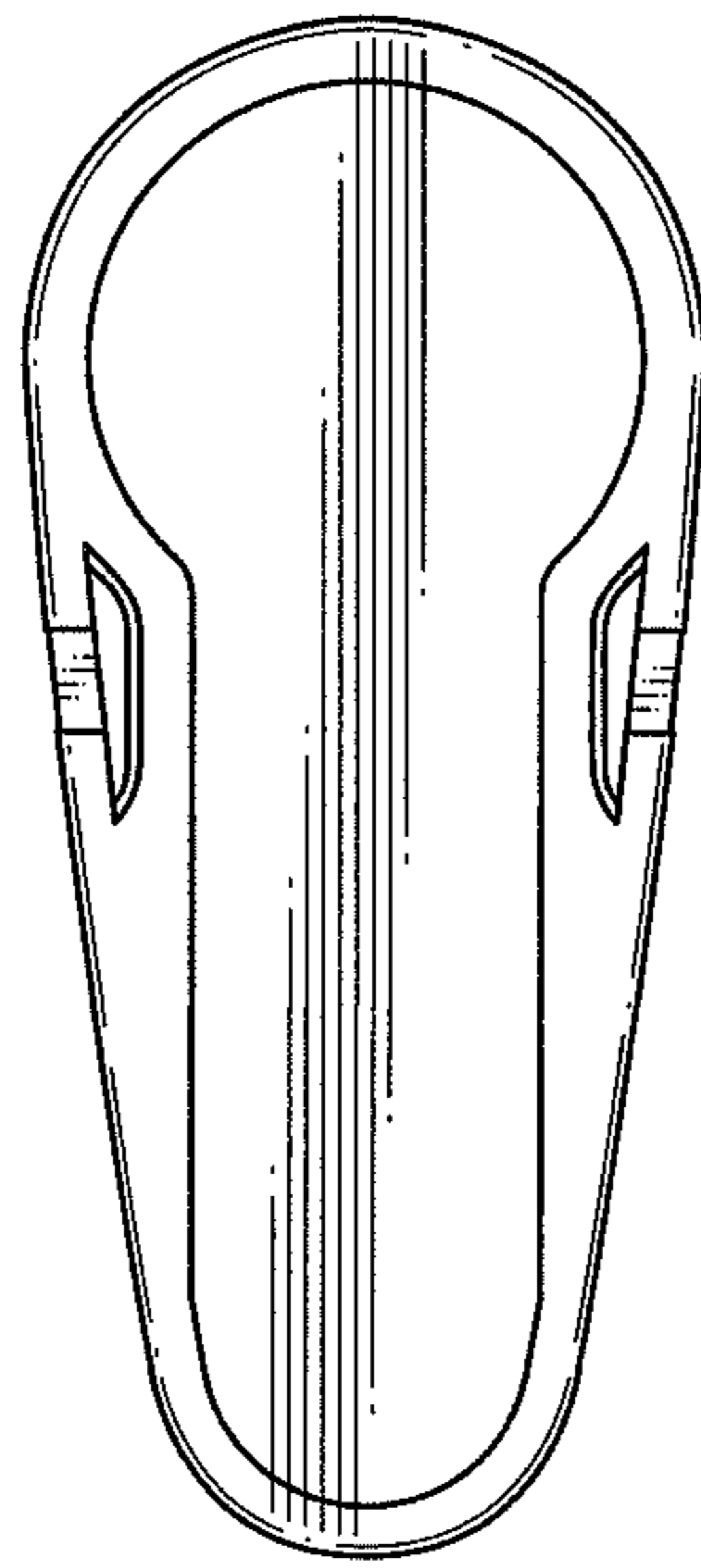


Fig. 3



Fig. 4

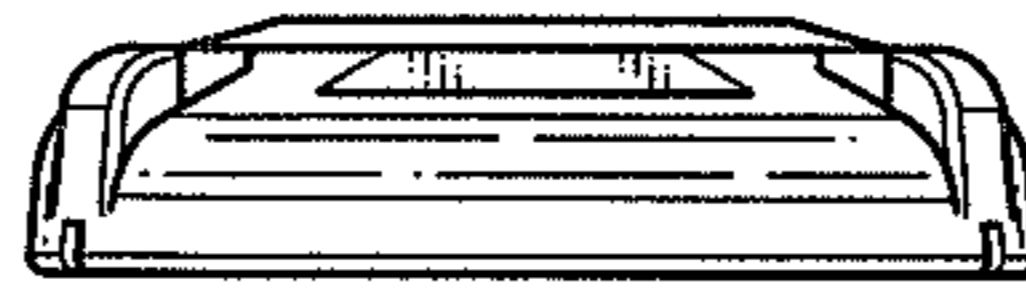


Fig. 5

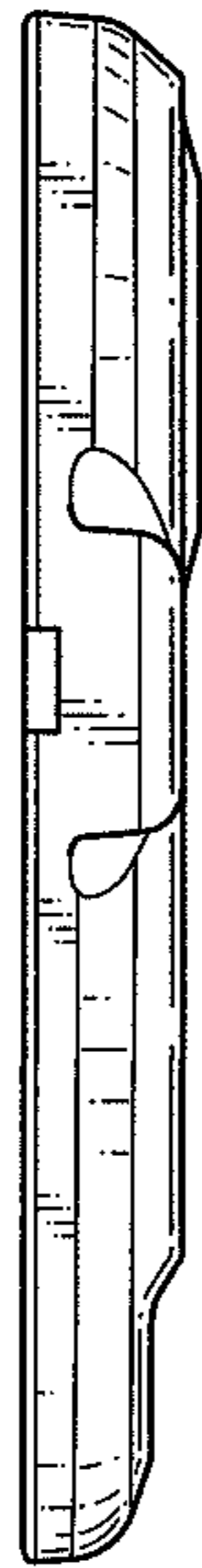


Fig. 6

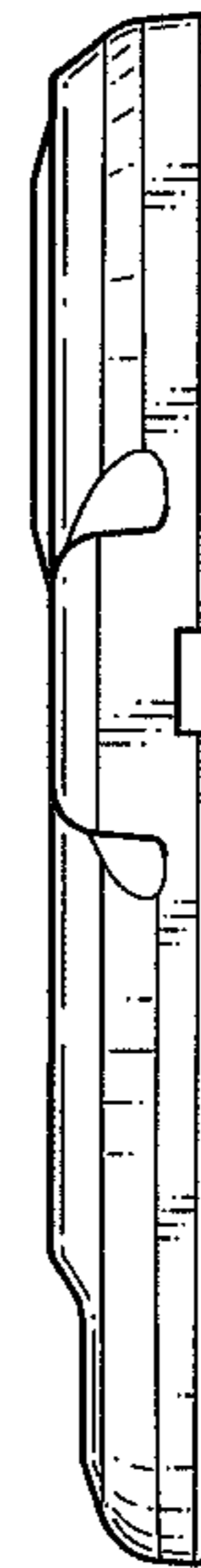


Fig. 7