



US00D712764S

(12) **United States Design Patent**  
**Zhenmei et al.**

(10) **Patent No.:** **US D712,764 S**  
(45) **Date of Patent:** **\*\* Sep. 9, 2014**

(54) **METER**

(71) Applicant: **FLIR Systems, Inc.**, Wilsonville, OR  
(US)

(72) Inventors: **Mao Zhenmei**, Shanghai (CN); **Michael Fox**, Nashua, NH (US); **David Pelletier**,  
Cupertino, CA (US); **Giovanni Lepore**,  
Peabody, MA (US); **Samuel M. Ruback**,  
Bedford, NH (US)

(73) Assignee: **FLIR Systems, Inc.**, Wilsonville, OR  
(US)

(\*\*) Term: **14 Years**

(21) Appl. No.: **29/459,084**

(22) Filed: **Jun. 25, 2013**

(51) **LOC (10) Cl.** ..... **10-04**

(52) **U.S. Cl.**  
USPC ..... **D10/80**

(58) **Field of Classification Search**  
CPC ..... G01R 1/22; G01R 1/04; G01R 15/181;  
G01R 15/186; G01R 15/12; G01R 15/125;  
G01D 11/24; G06F 17/00  
USPC ..... D10/79-80; 324/72.5, 556, 133, 149,  
324/503, 117 H, 117 R, 99 D, 543, 555, 66,  
324/72, 754, 115, 141, 126, 127, 116, 156;  
200/341, 336; 361/679.01, 728  
See application file for complete search history.

(56) **References Cited**

**U.S. PATENT DOCUMENTS**

5,625,286 A \* 4/1997 Kamiya ..... 324/156  
D515,952 S \* 2/2006 Chang ..... D10/78  
D625,635 S \* 10/2010 Tian ..... D10/78

8,013,594 B2 \* 9/2011 Worones ..... 324/115  
8,269,481 B2 \* 9/2012 Garland et al. .... 324/115  
8,358,121 B2 \* 1/2013 Hudson et al. .... 324/115  
8,405,380 B2 \* 3/2013 Marzynski et al. .... 324/114  
D684,073 S \* 6/2013 Elrod et al. .... D10/78  
8,466,671 B2 \* 6/2013 Worones ..... 324/156  
D699,134 S \* 2/2014 Waaler et al. .... D10/81  
D705,681 S \* 5/2014 Morishita et al. .... D10/78  
8,755,173 B2 \* 6/2014 Laurino et al. .... 361/679.01

**FOREIGN PATENT DOCUMENTS**

EM 001394928-0001 3/2014  
EM 001394936-0001 3/2014  
EM 001394936-0002 3/2014  
EM 001394936-0003 3/2014  
EM 001394936-0004 3/2014

\* cited by examiner

*Primary Examiner* — Antoine D Davis

(74) *Attorney, Agent, or Firm* — Wolf, Greenfield & Sacks,  
P.C.

(57) **CLAIM**

The ornamental design for a meter, as shown and described.

**DESCRIPTION**

FIG. 1 is a side, top, perspective view of the meter with elements thereof shown in phantom.

FIG. 2 is a front view thereof;

FIG. 3 is a rear view thereof;

FIG. 4 is a left side view thereof;

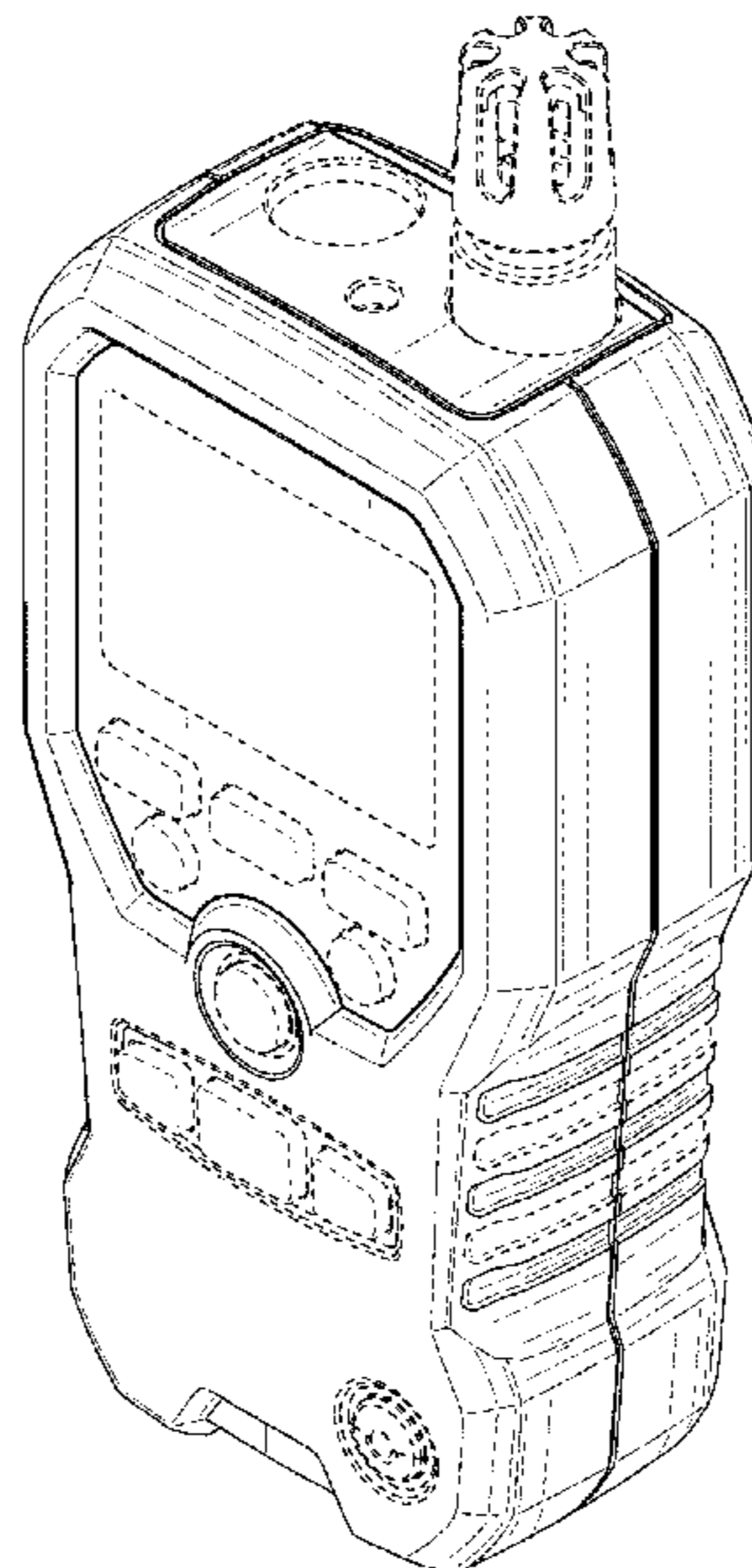
FIG. 5 is a right side view thereof;

FIG. 6 is a top view thereof; and,

FIG. 7 is a bottom view thereof.

The elements shown in phantom form no part of the claim design.

**1 Claim, 6 Drawing Sheets**



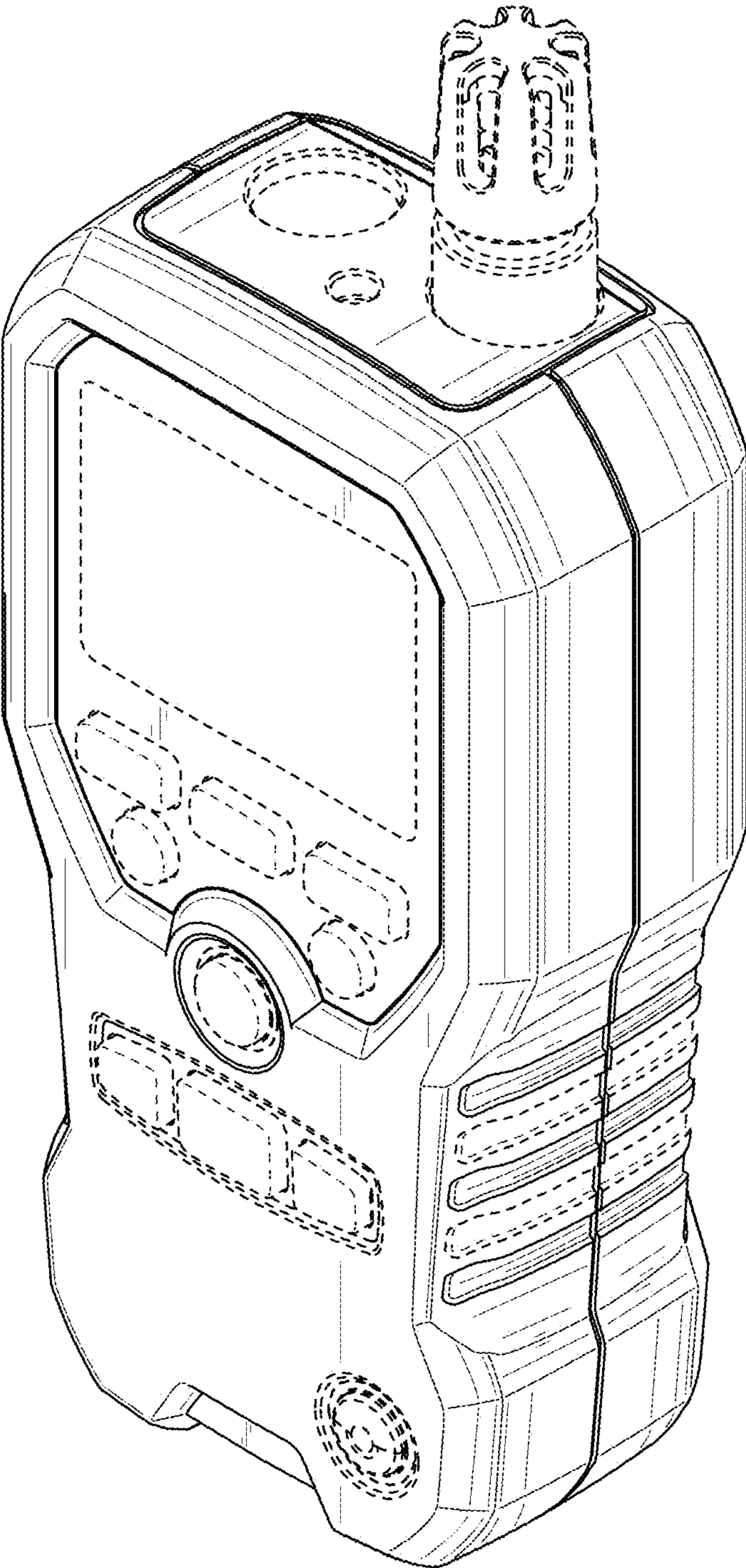


FIG. 1

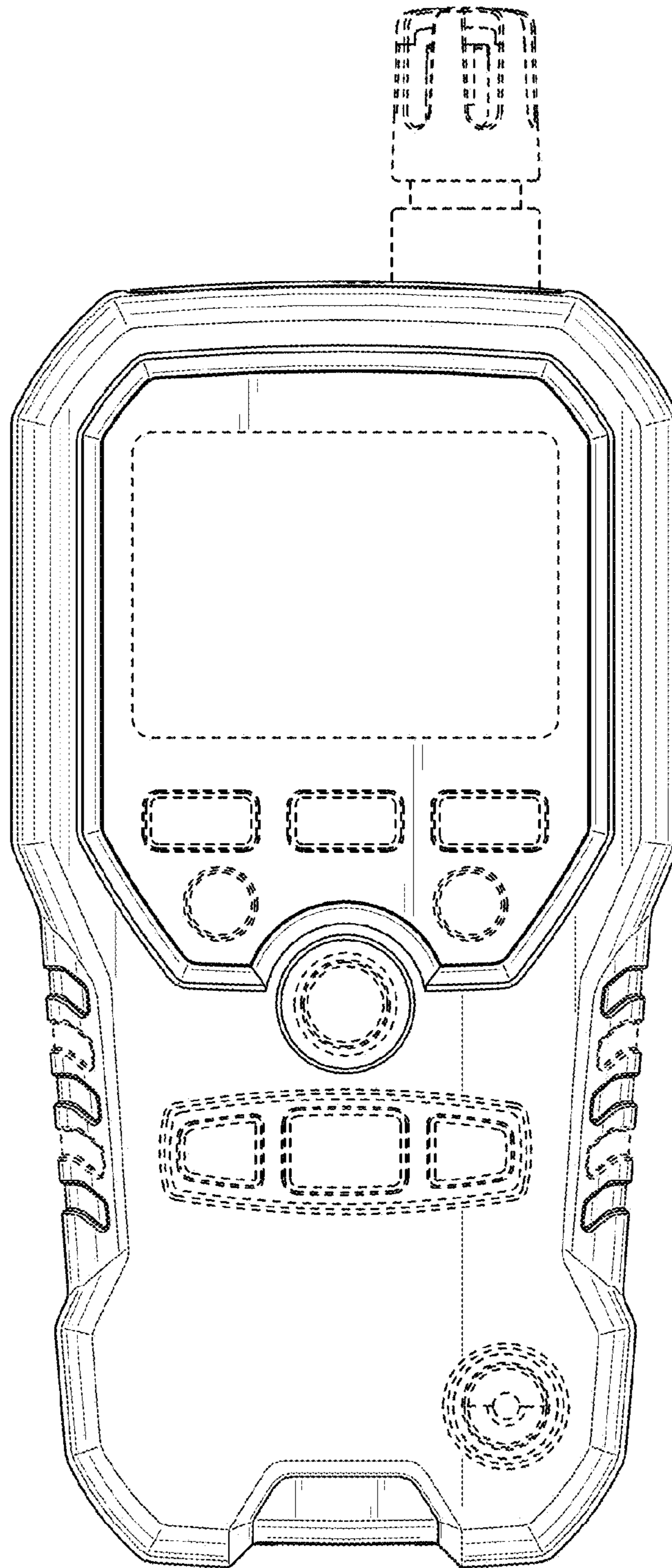


FIG. 2

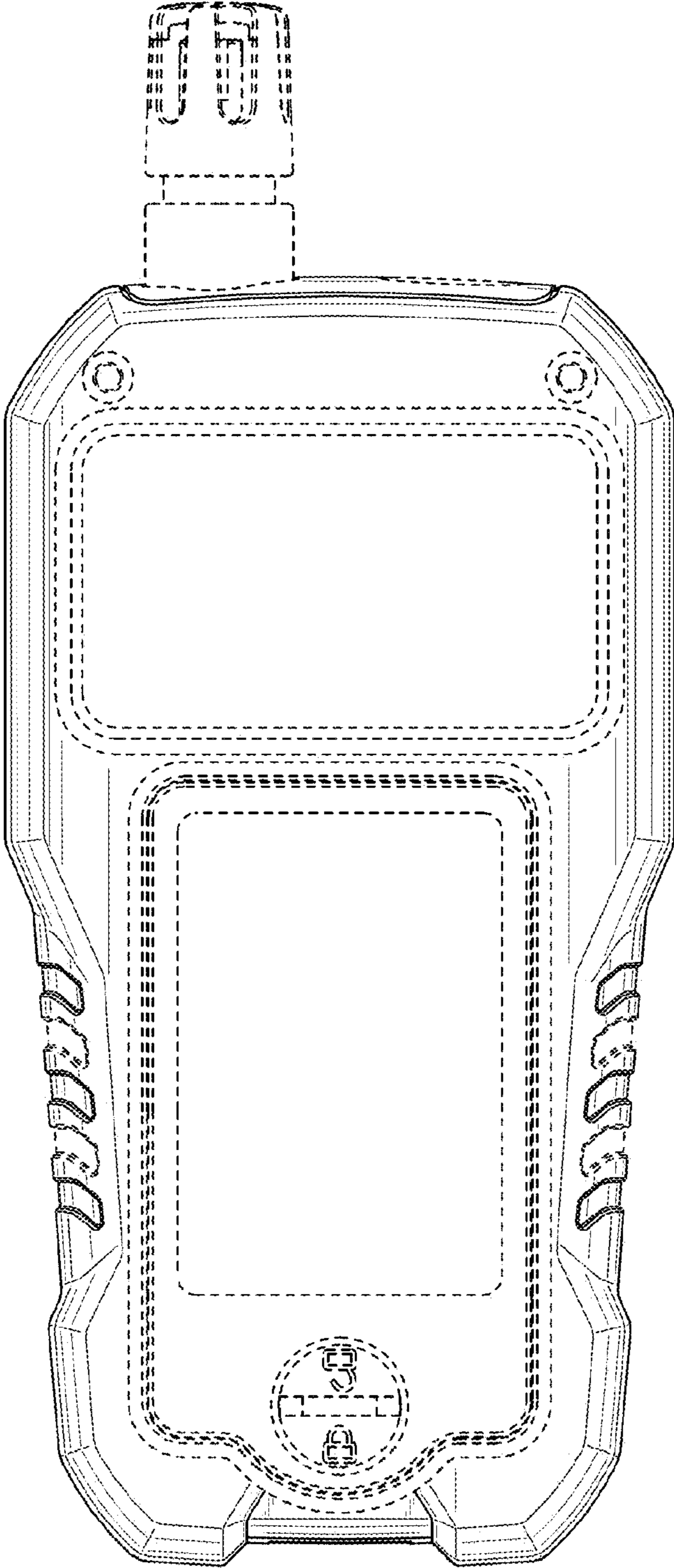


FIG. 3

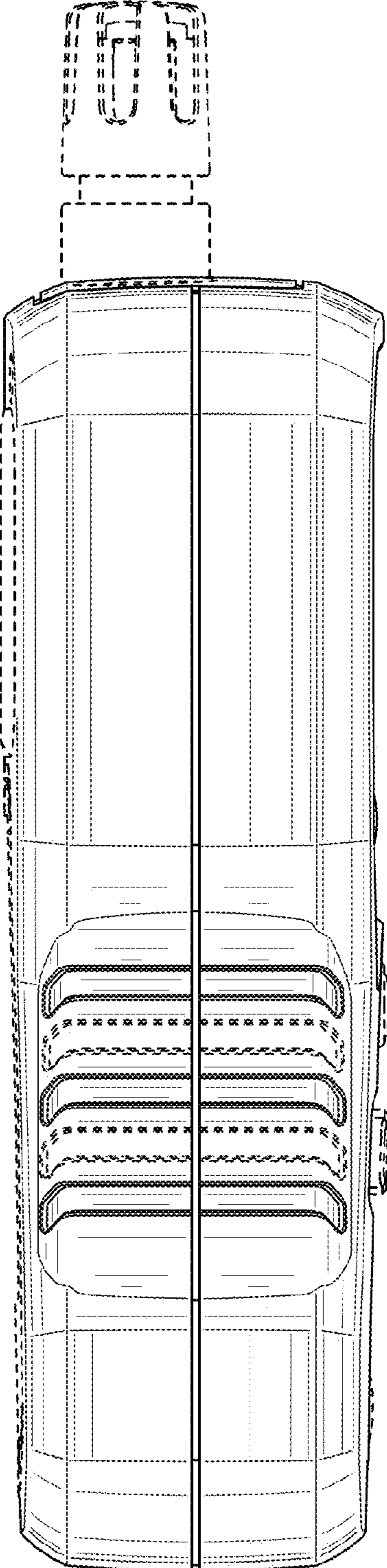


FIG. 4

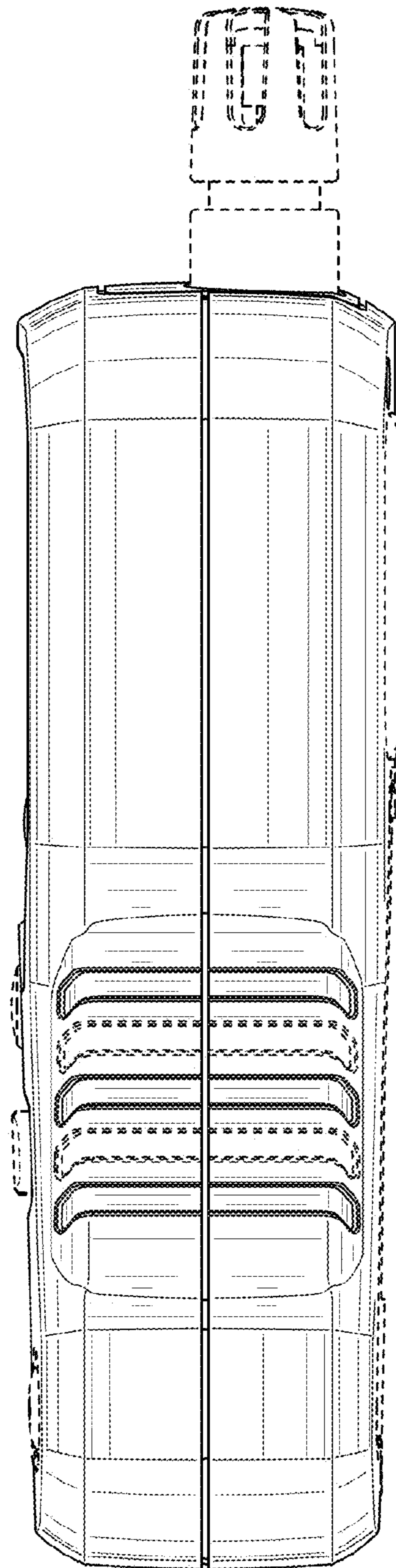


FIG. 5

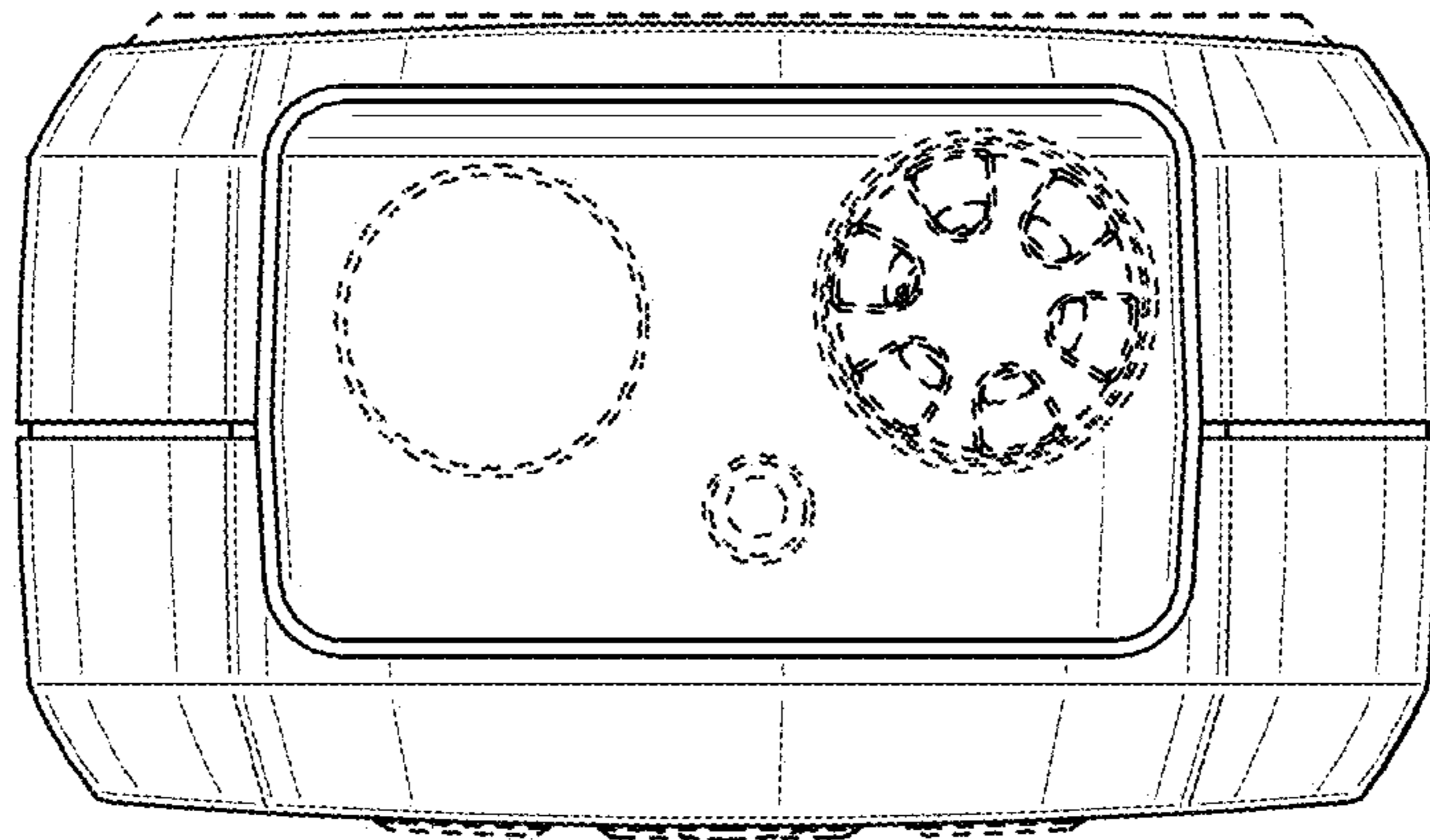


FIG. 6

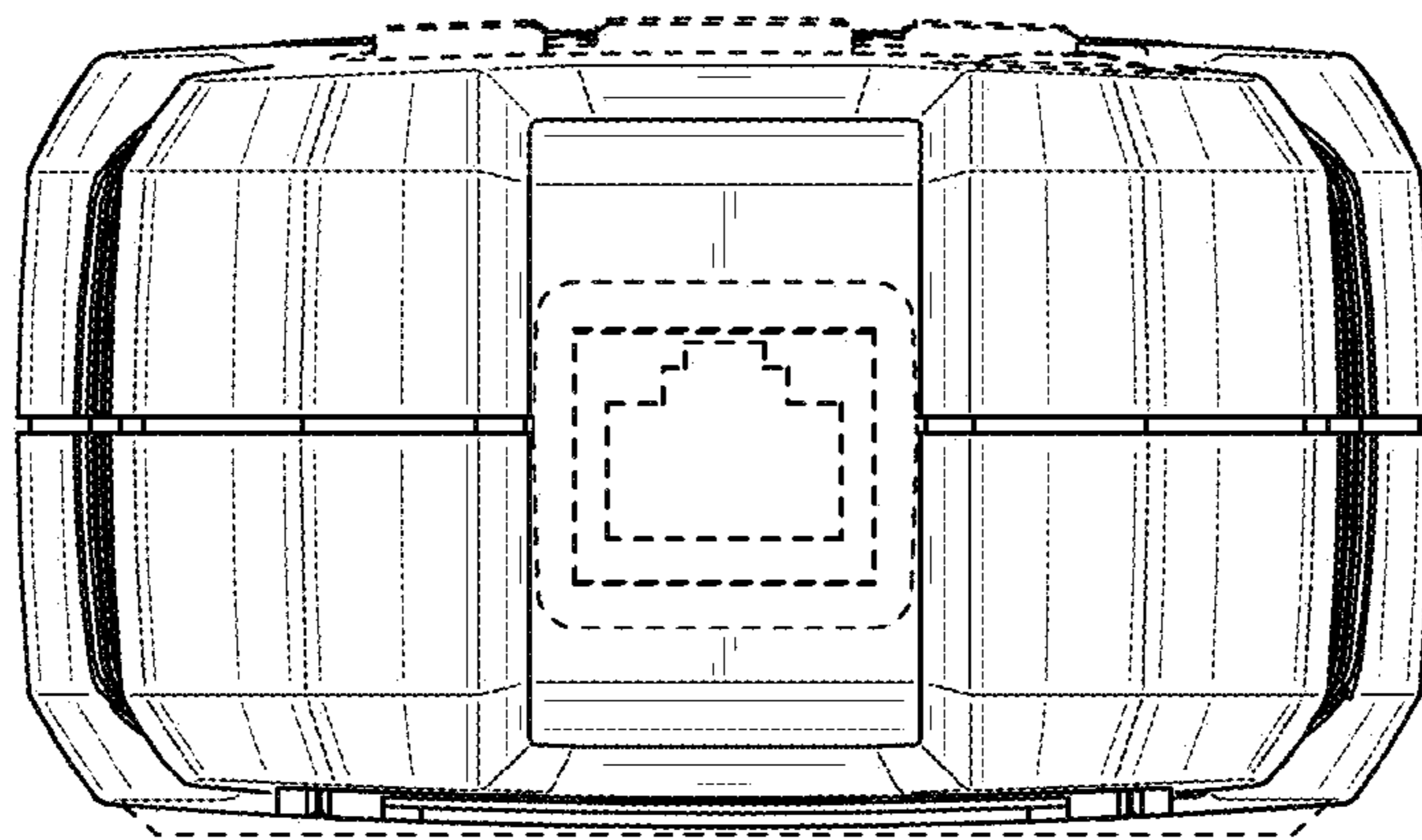


FIG. 7