

US00D712763S

(12) **United States Design Patent**  
**Zhenmei et al.**

(10) **Patent No.:** **US D712,763 S**

(45) **Date of Patent:** **\*\* Sep. 9, 2014**

(54) **METER**

(71) Applicant: **FLIR Systems, Inc.**, Wilsonville, OR  
(US)

(72) Inventors: **Mao Zhenmei**, Shanghai (CN); **Michael Fox**, Nashua, NH (US); **David Pelletier**,  
Cupertino, CA (US); **Giovanni Lepore**,  
Peabody, MA (US); **Samuel M. Ruback**,  
Bedford, NH (US)

(73) Assignee: **FLIR Systems, Inc.**, Wilsonville, OR  
(US)

(\*\*) Term: **14 Years**

(21) Appl. No.: **29/459,080**

(22) Filed: **Jun. 25, 2013**

(51) **LOC (10) Cl.** ..... **10-04**

(52) **U.S. Cl.**  
USPC ..... **D10/80**

(58) **Field of Classification Search**

CPC ..... G01R 1/22; G01R 1/04; G01R 15/181;  
G01R 15/186; G01R 15/12; G01R 15/125;  
G01D 11/24; G06F 17/00

USPC ..... D10/79-80; 324/72.5, 556, 133, 149,  
324/503, 117 H, 117 R, 99 D, 543, 555, 66,  
324/72, 754, 115, 141, 126, 127, 116, 156;  
200/341, 336; 361/679.01, 728

See application file for complete search history.

(56) **References Cited**

**U.S. PATENT DOCUMENTS**

D472,829 S \* 4/2003 Chang ..... D10/79  
6,975,104 B2 \* 12/2005 Gregorec, Jr. .... 324/126  
7,884,598 B2 \* 2/2011 Wang et al. .... 324/127

7,944,197 B2 \* 5/2011 Shah et al. .... 324/115  
D640,152 S \* 6/2011 Laurino et al. .... D10/79  
8,120,350 B2 \* 2/2012 Shah et al. .... 324/126  
8,159,211 B2 \* 4/2012 Wang et al. .... 324/127  
8,330,449 B2 \* 12/2012 Greenberg ..... 324/127  
D684,074 S \* 6/2013 Wei ..... D10/79

**FOREIGN PATENT DOCUMENTS**

EM 001394928-0001 3/2014  
EM 001394936-0001 3/2014  
EM 001394936-0002 3/2014  
EM 001394936-0003 3/2014  
EM 001394936-0004 3/2014

\* cited by examiner

*Primary Examiner* — Antoine D Davis

(74) *Attorney, Agent, or Firm* — Wolf, Greenfield & Sacks,  
P.C.

(57) **CLAIM**

The ornamental design for a meter, as shown and described.

**DESCRIPTION**

FIG. 1 is a side, top, perspective view of the meter with  
elements thereof shown in phantom.

FIG. 2 is a front view thereof;

FIG. 3 is a rear view thereof;

FIG. 4 is a left side view thereof;

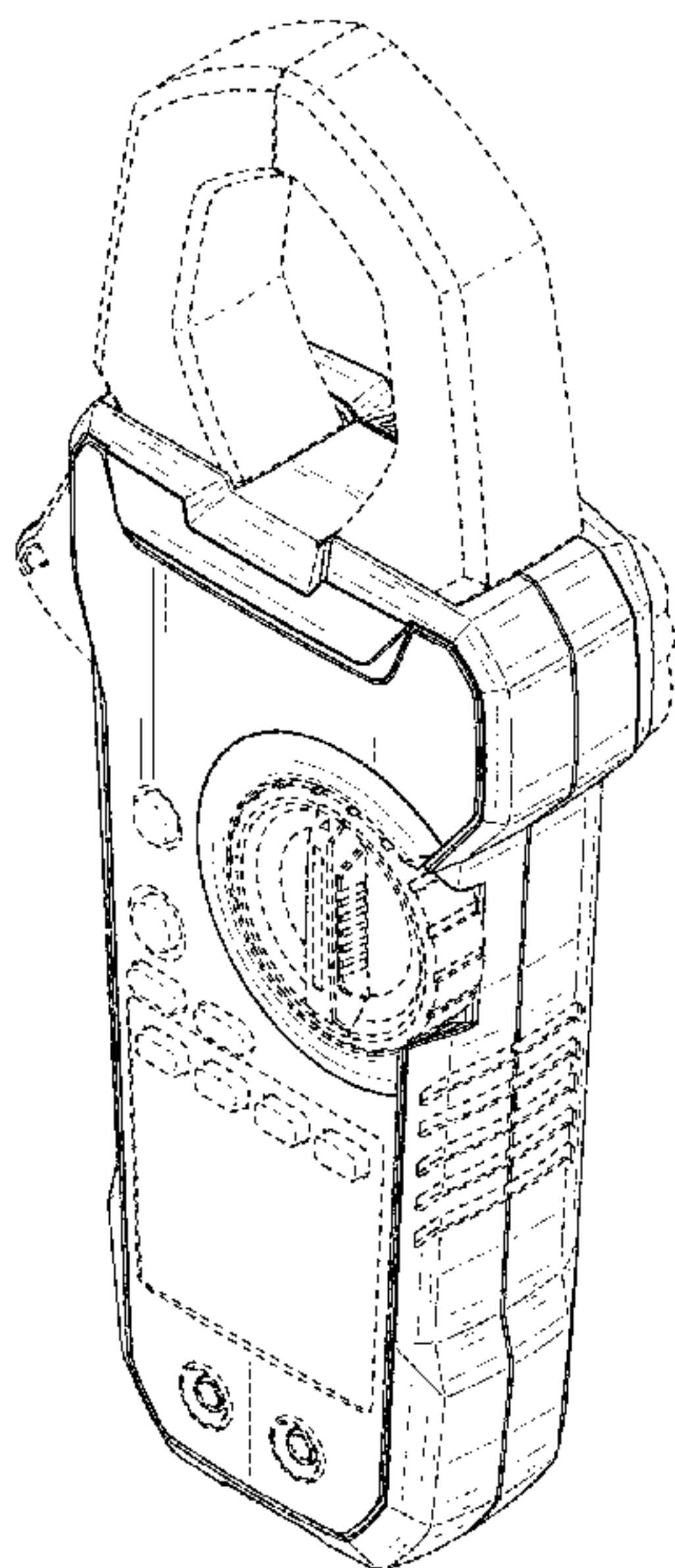
FIG. 5 is a right side view thereof;

FIG. 6 is a top view thereof; and,

FIG. 7 is a bottom view thereof.

The elements shown in phantom form no part of the claim  
design.

**1 Claim, 6 Drawing Sheets**



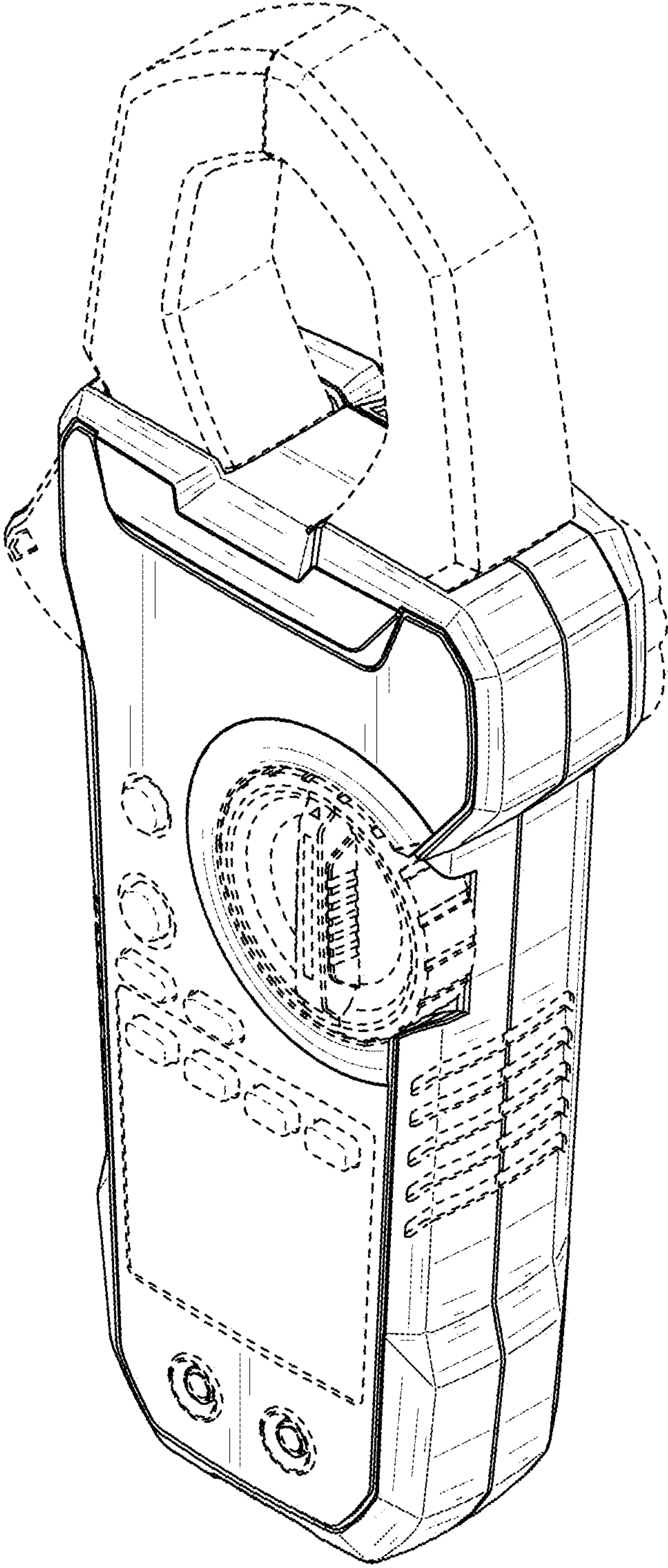


FIG. 1

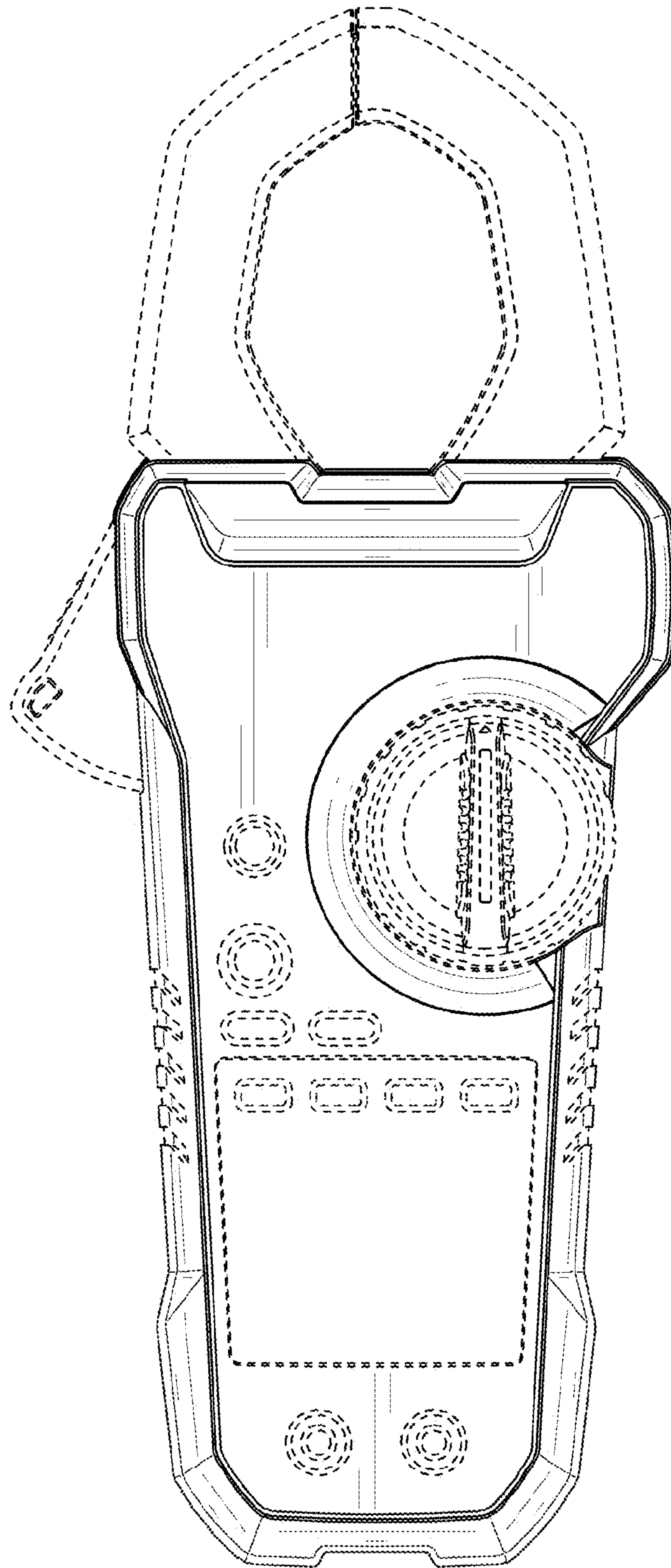


FIG. 2

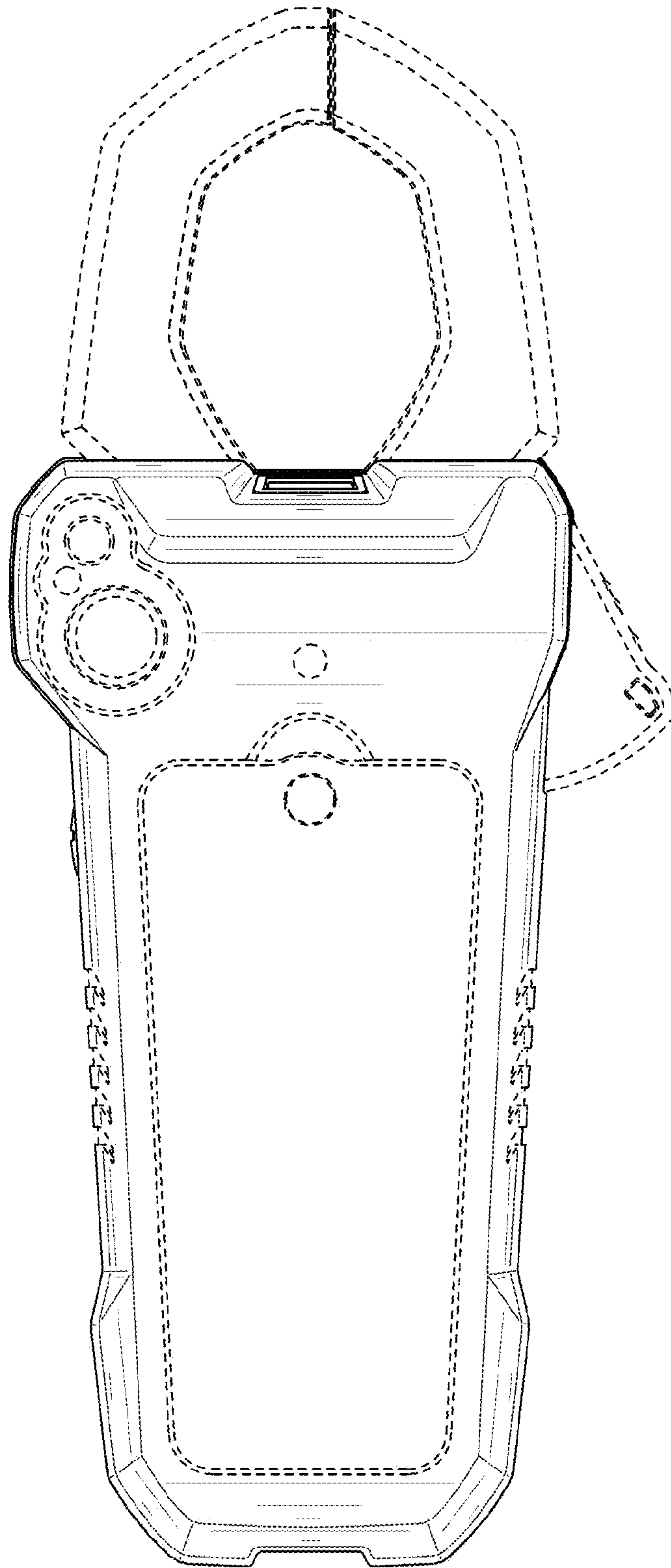


FIG. 3



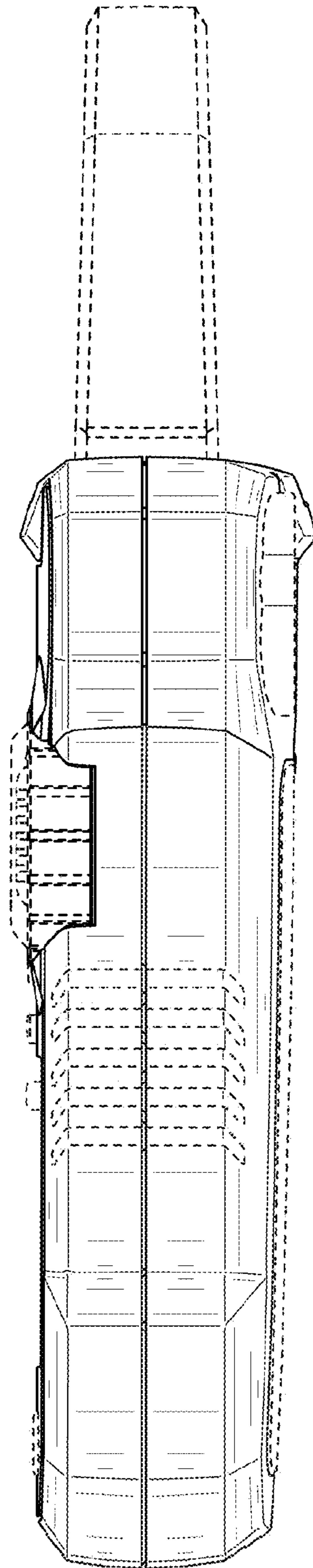


FIG. 4

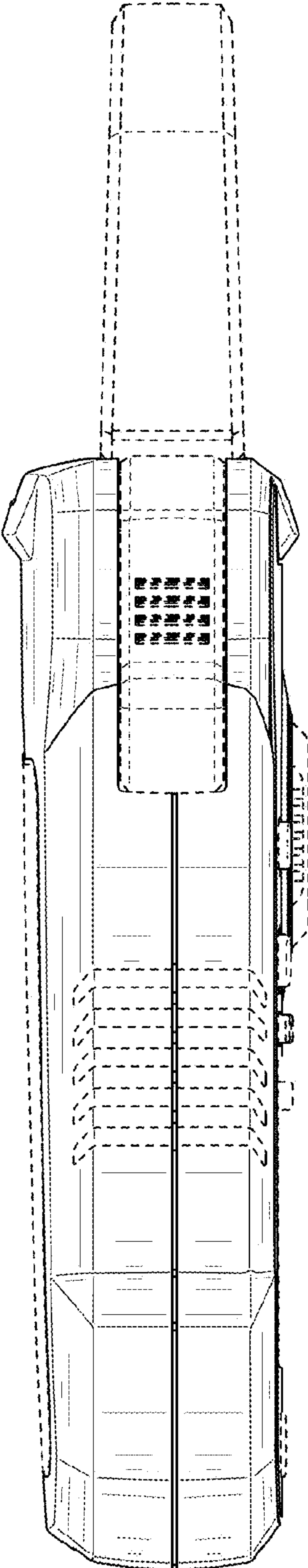


FIG. 5

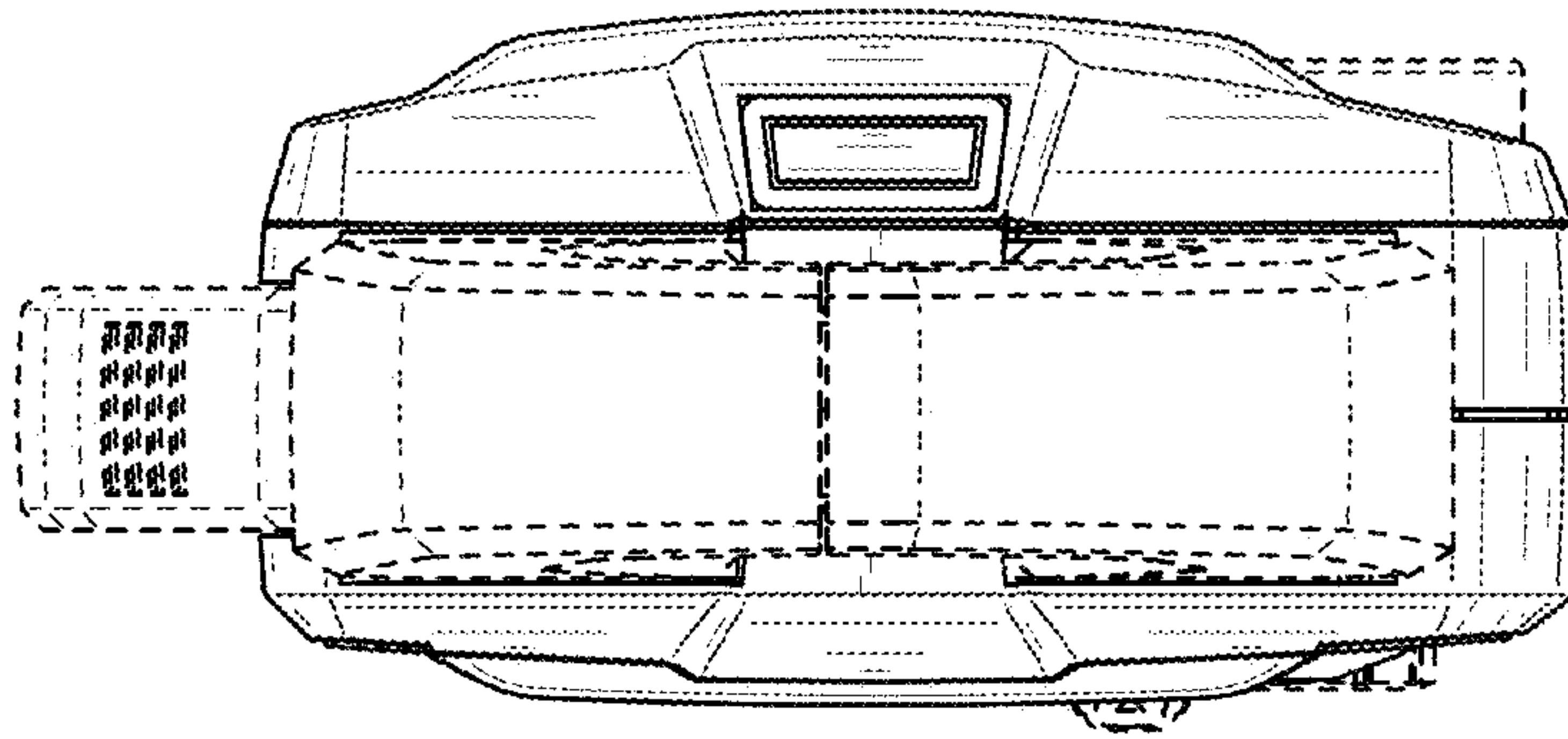


FIG. 6

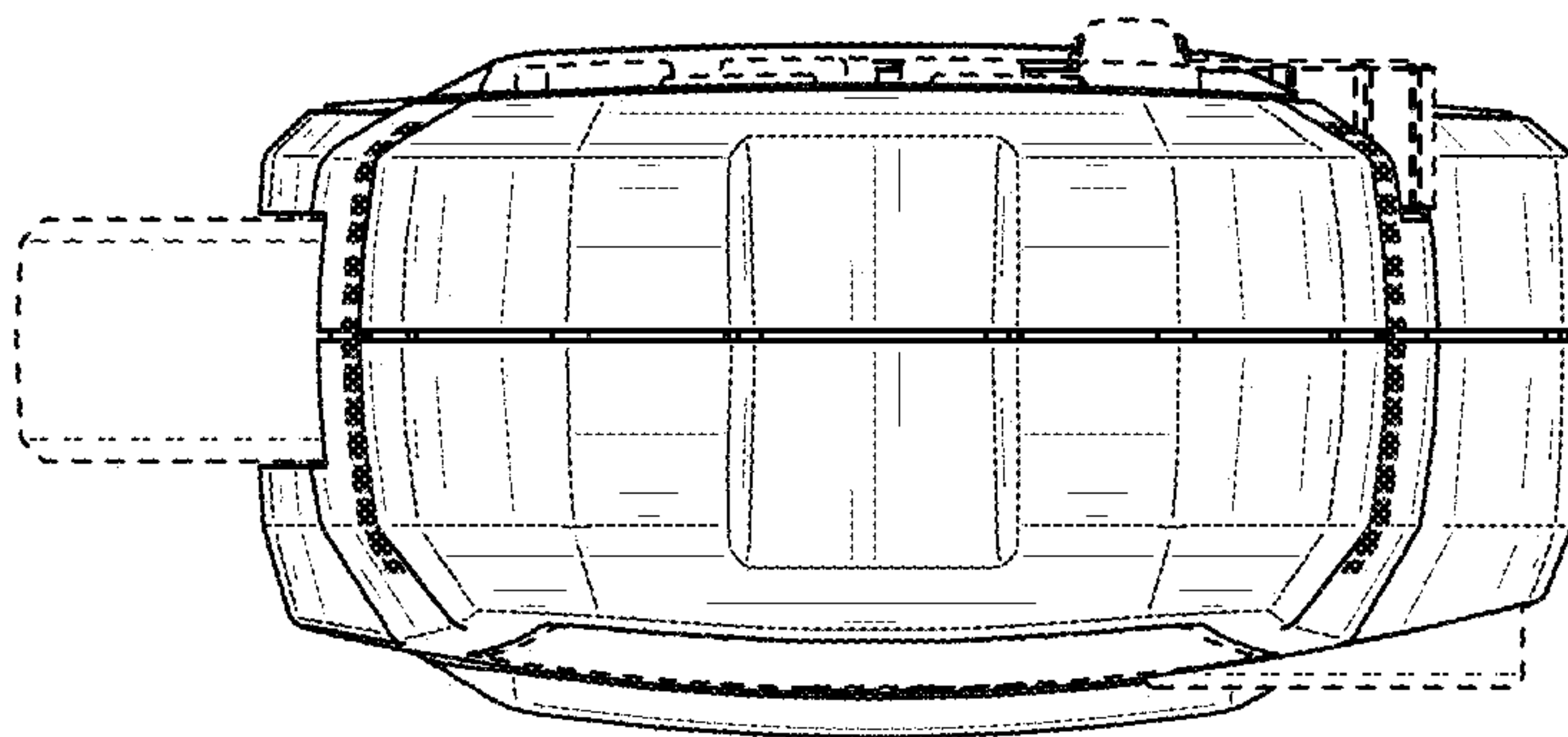


FIG. 7