



US00D712761S

(12) **United States Design Patent**  
**Matsumiya et al.**

(10) **Patent No.:** **US D712,761 S**  
(45) **Date of Patent:** **\*\* Sep. 9, 2014**

(54) **MEASURING HEAD**

(56) **References Cited**

(71) Applicant: **Mitutoyo Corporation**, Kanagawa (JP)

U.S. PATENT DOCUMENTS

(72) Inventors: **Sadayuki Matsumiya**, Kawasaki (JP);  
**Shuichi Kamiyama**, Kawasaki (JP);  
**Tomoyuki Miyazaki**, Kawasaki (JP);  
**Shigeru Ohtani**, Kawasaki (JP); **Yoshiro Asano**, Tokyo (JP)

D327,854 S \* 7/1992 Bennett ..... D10/74  
D472,170 S \* 3/2003 Reymond ..... D10/74  
D659,572 S 5/2012 Matsumiya et al.  
D659,574 S 5/2012 Matsumiya et al.  
D659,575 S \* 5/2012 Matsumiya et al. .... D10/74  
2012/0073154 A1 3/2012 Matsumiya et al.

\* cited by examiner

(73) Assignee: **Mitutoyo Corporation**, Kawasaki (JP)

*Primary Examiner* — Antoine D Davis

(\*\*) Term: **14 Years**

(74) *Attorney, Agent, or Firm* — Oliff PLC

(21) Appl. No.: **29/471,784**

(57) **CLAIM**

The ornamental design for a measuring head, as shown and described.

(22) Filed: **Nov. 5, 2013**

**DESCRIPTION**

(30) **Foreign Application Priority Data**

Jun. 3, 2013 (JP) ..... 2013-012338  
Jun. 3, 2013 (JP) ..... 2013-012346

(51) **LOC (10) Cl.** ..... **10-04**

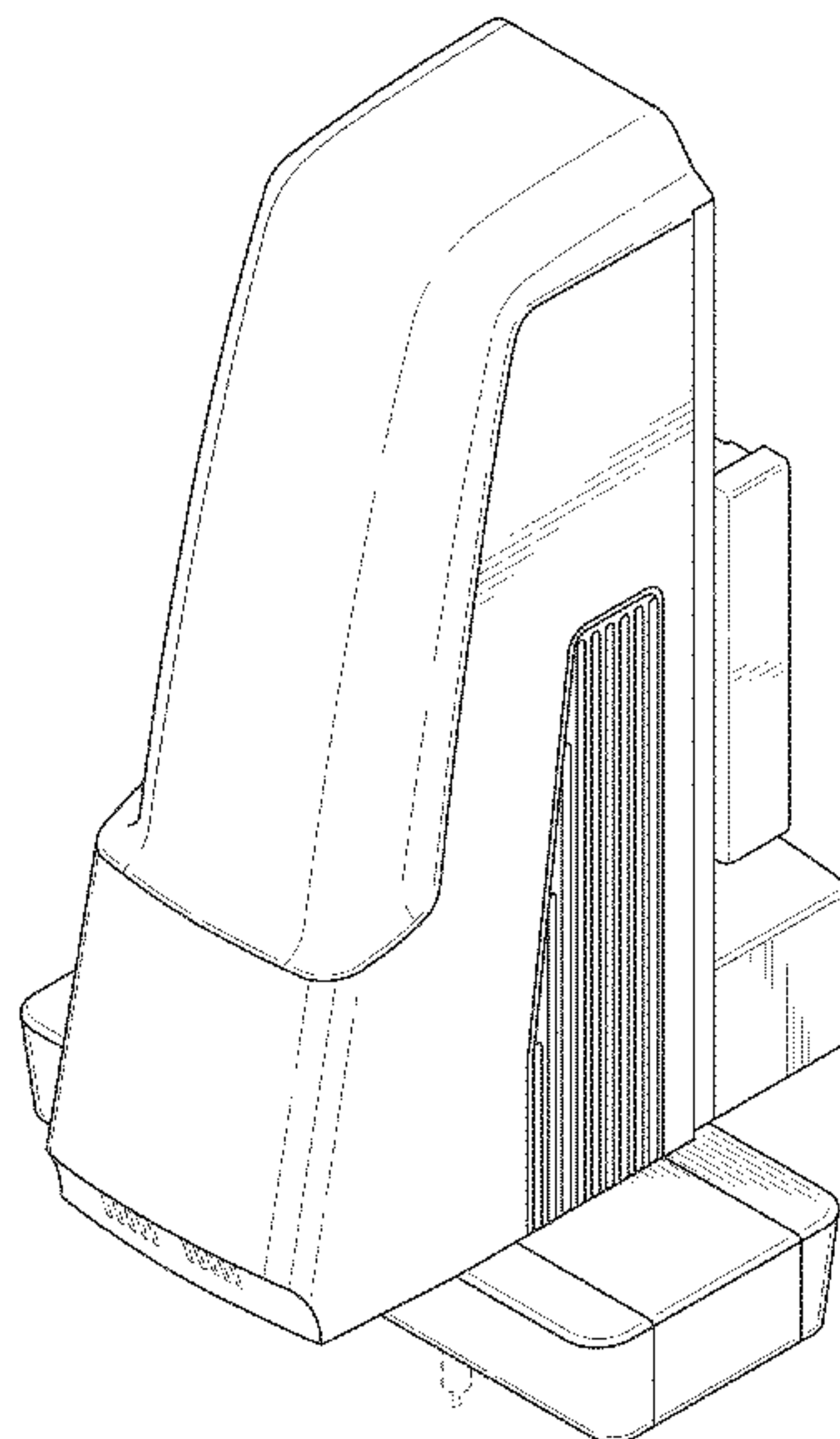
(52) **U.S. Cl.**  
USPC ..... **D10/74**

(58) **Field of Classification Search**  
CPC .. G01B 21/047; G01B 21/042; G01B 21/145;  
G01B 5/012; G01B 5/008; G01B 11/03;  
G05B 19/00; G05B 19/407; G05B  
2219/36452; G05B 2219/36479; G05B  
2219/37193; G05B 2219/3744  
USPC ..... D10/46, 63, 74; 33/359, 360, 501.02,  
33/501.03, 503, 551, 556, 559, 572,  
33/601-640, 702, 704, 710, 832, DIG. 3;  
702/95, 108

FIG. 1 is a perspective view of a measuring head in an embodiment;  
FIG. 2 is a front view thereof;  
FIG. 3 is a top view thereof;  
FIG. 4 is a right-side view thereof;  
FIG. 5 is left-side view thereof;  
FIG. 6 is a rear view thereof;  
FIG. 7 is a bottom view thereof;  
FIG. 8 is a perspective view of a measuring head in another embodiment;  
FIG. 9 is a front view thereof;  
FIG. 10 is a top view thereof;  
FIG. 11 is a right side view thereof;  
FIG. 12 is a left side view thereof;  
FIG. 13 is a rear view thereof; and,  
FIG. 14 is a bottom view.  
The broken lines depict environmental subject matter only and form no part of the claimed design.

See application file for complete search history.

**1 Claim, 14 Drawing Sheets**



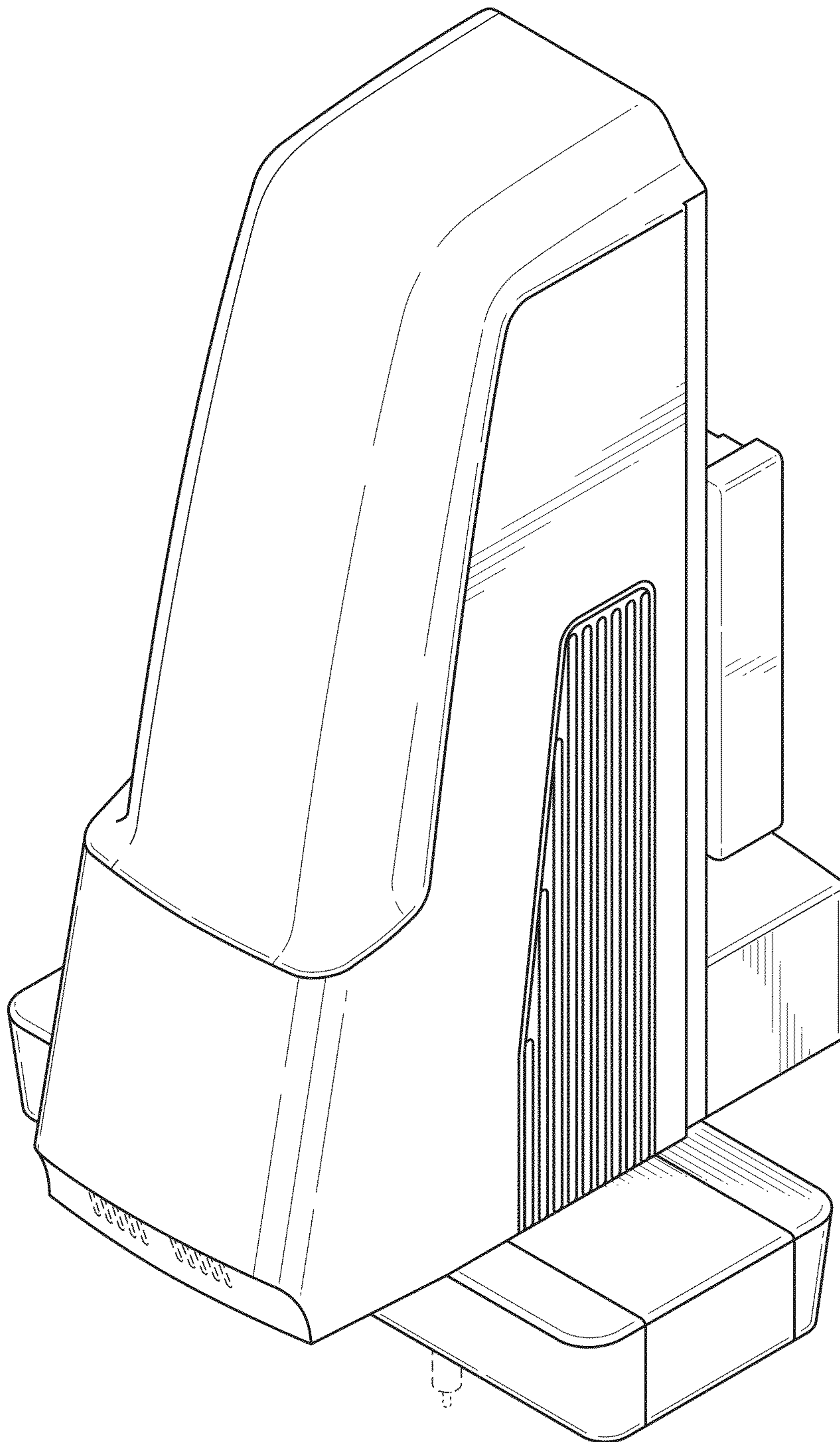


FIG. 1

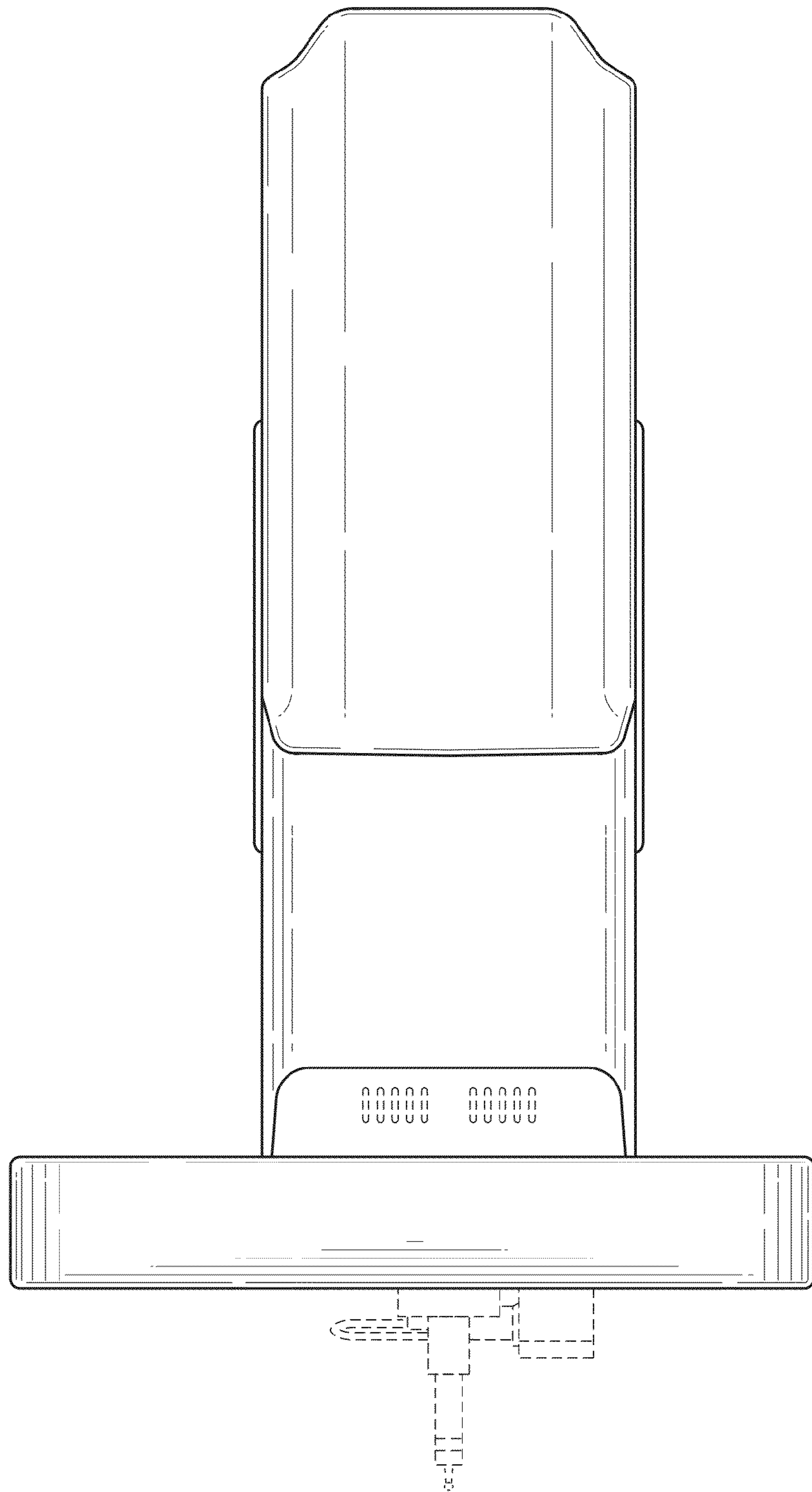


FIG. 2

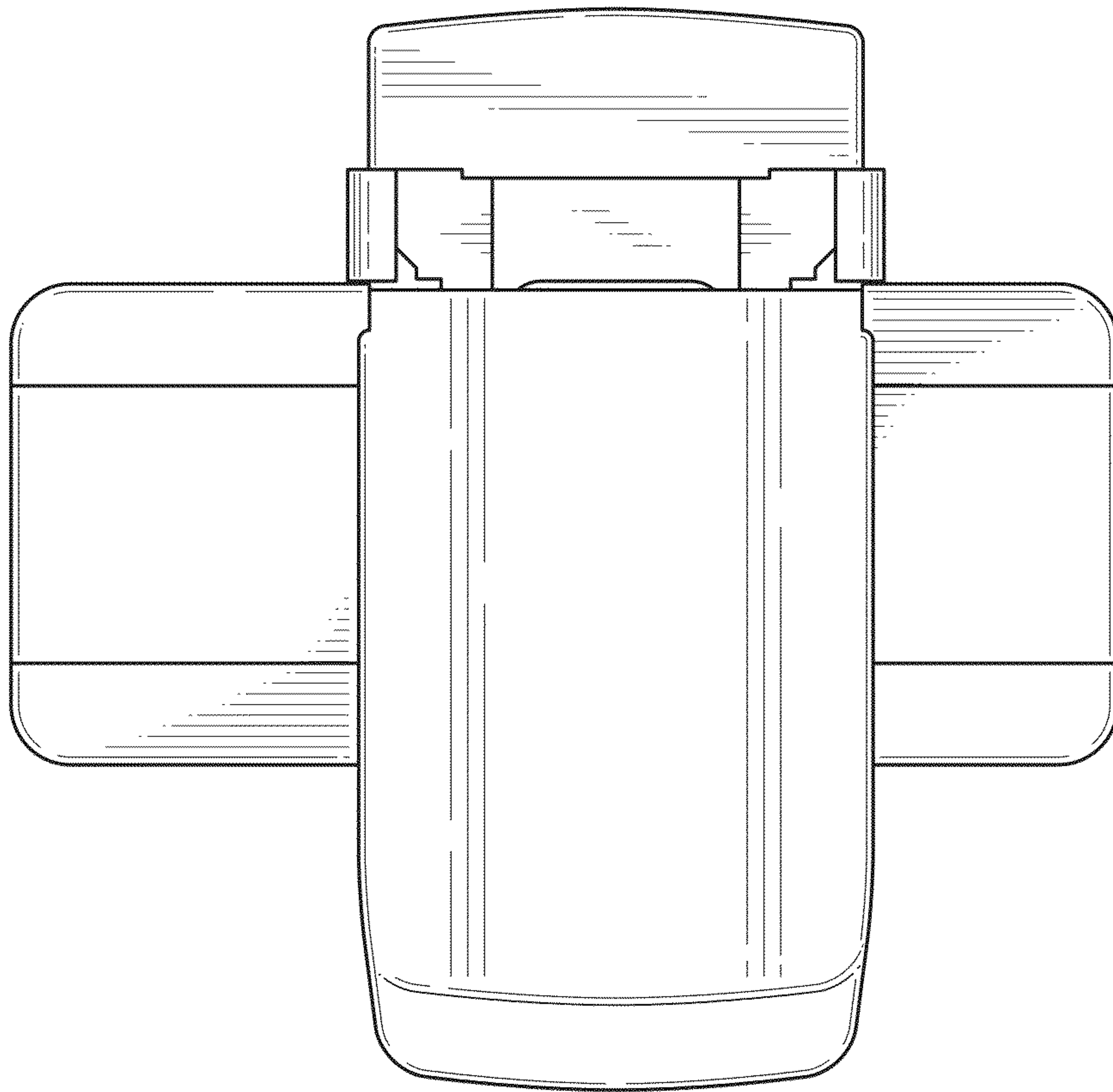


FIG. 3



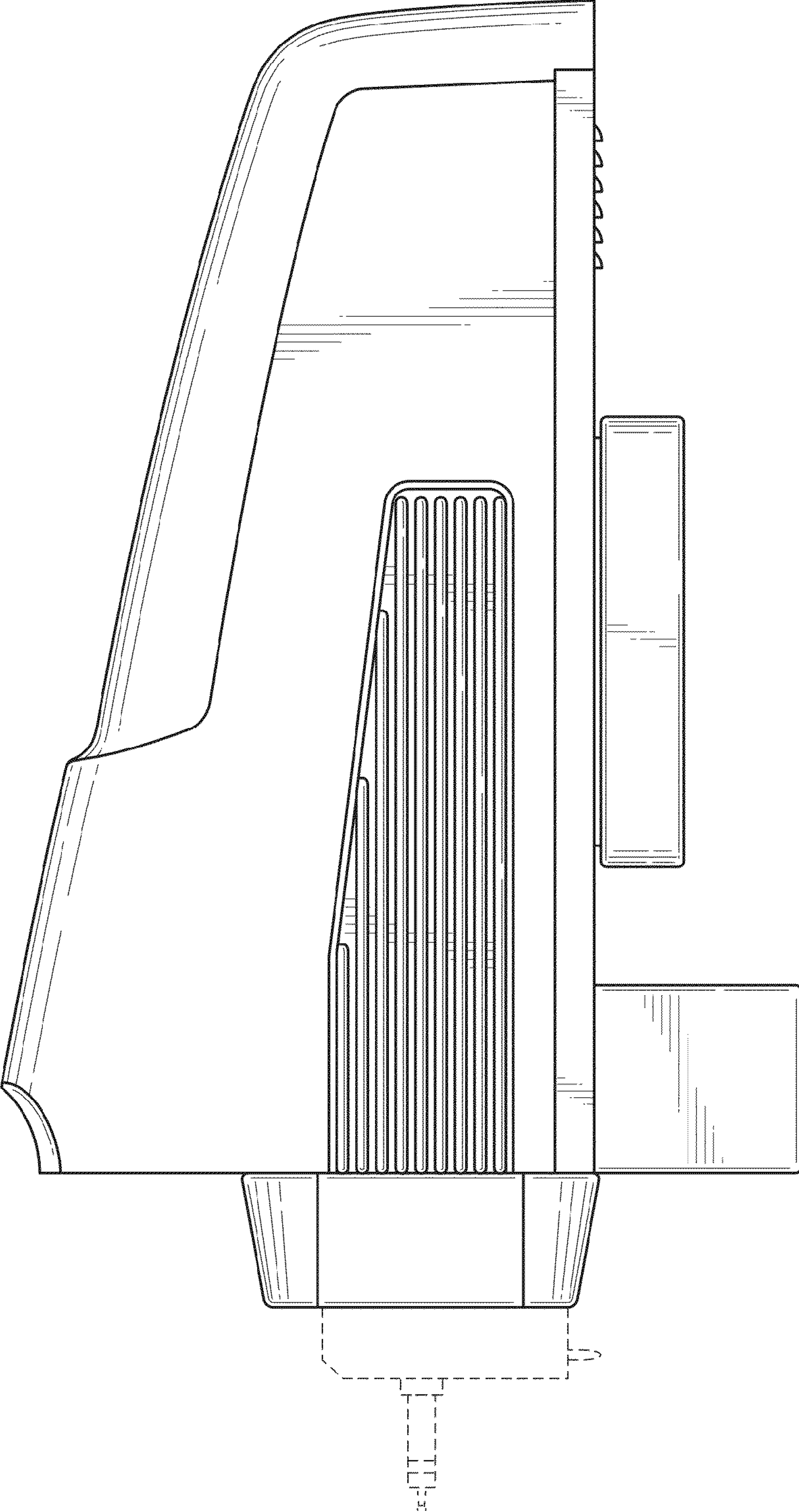


FIG. 4

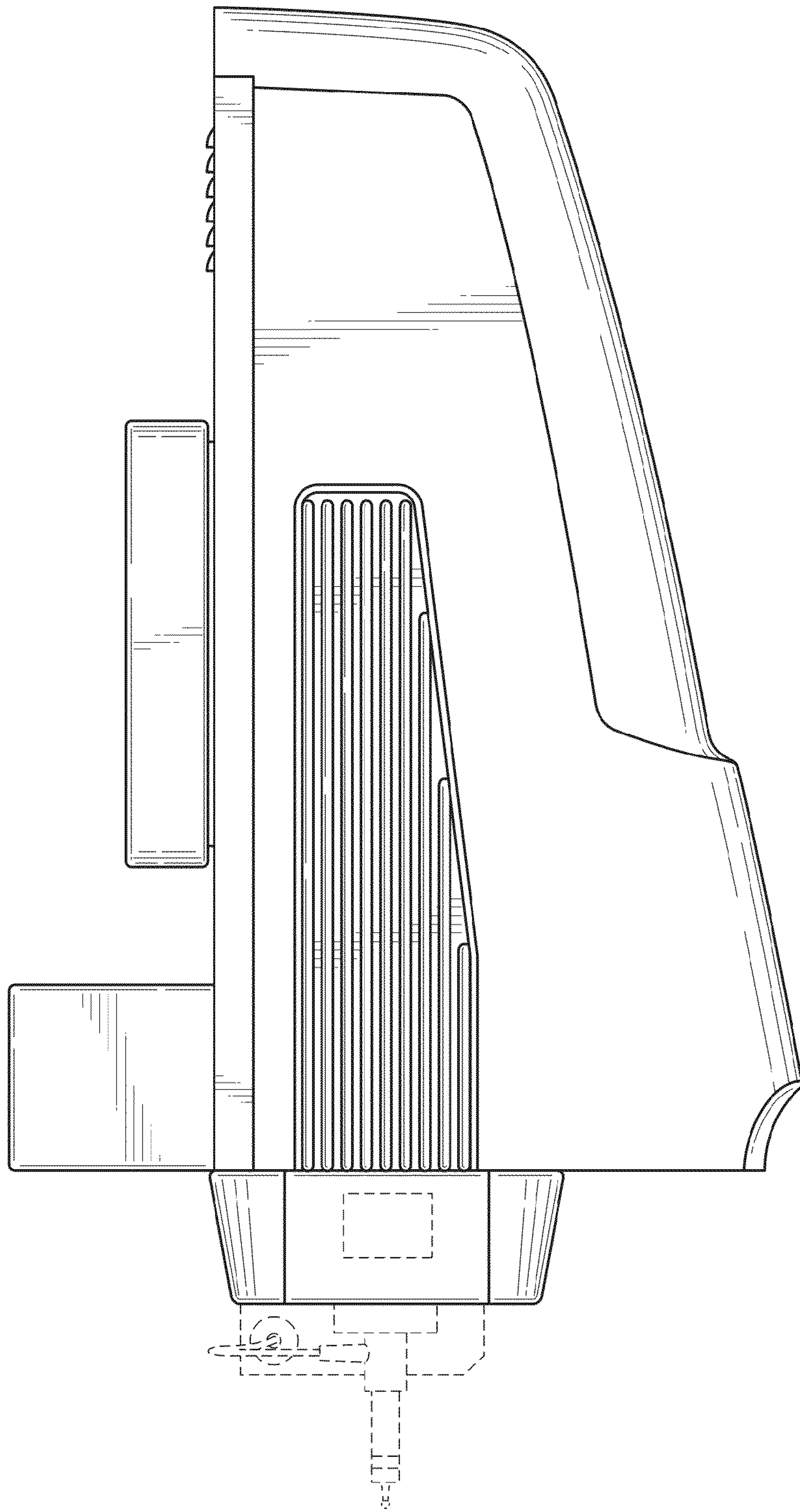


FIG. 5

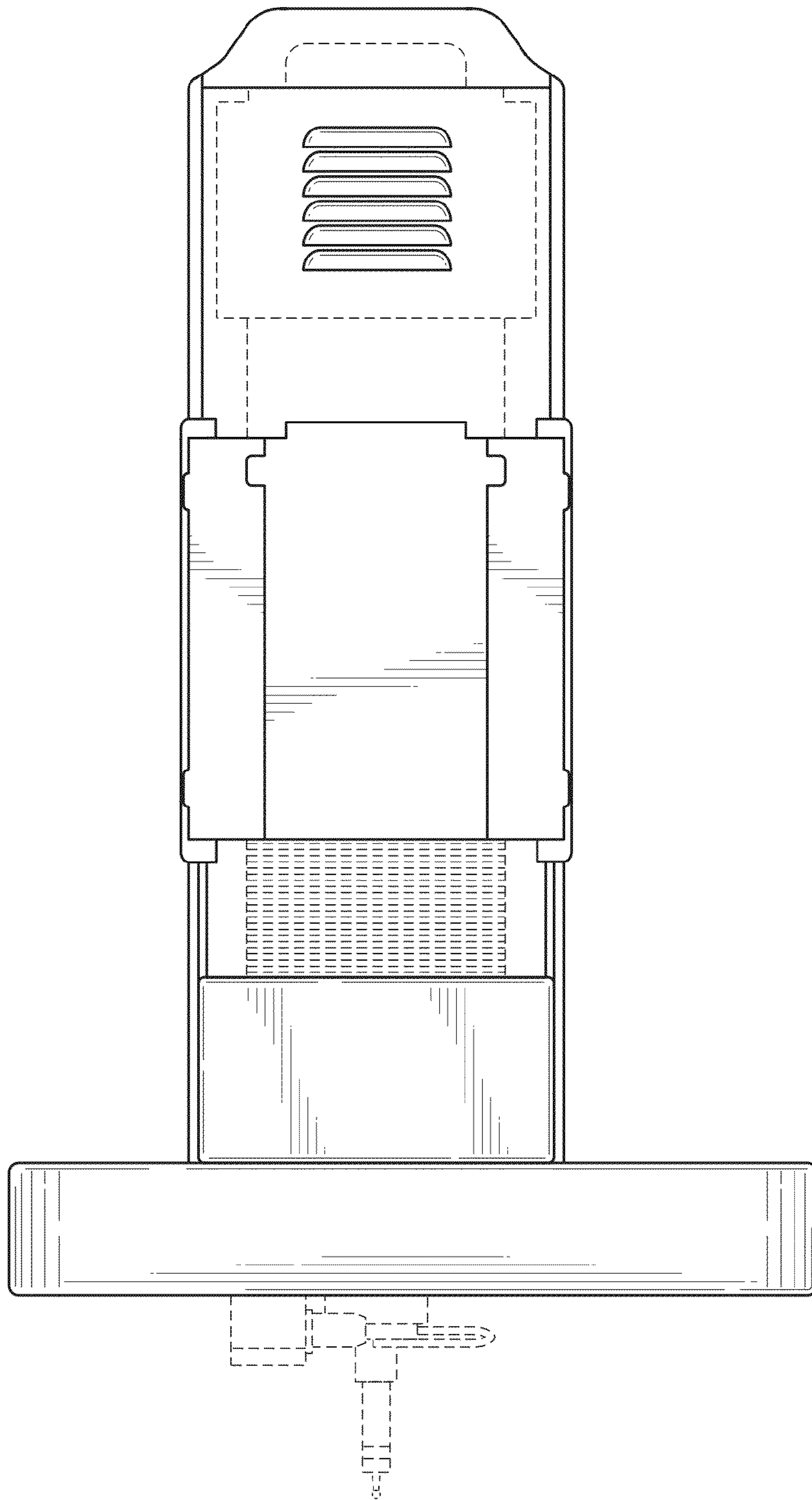


FIG. 6

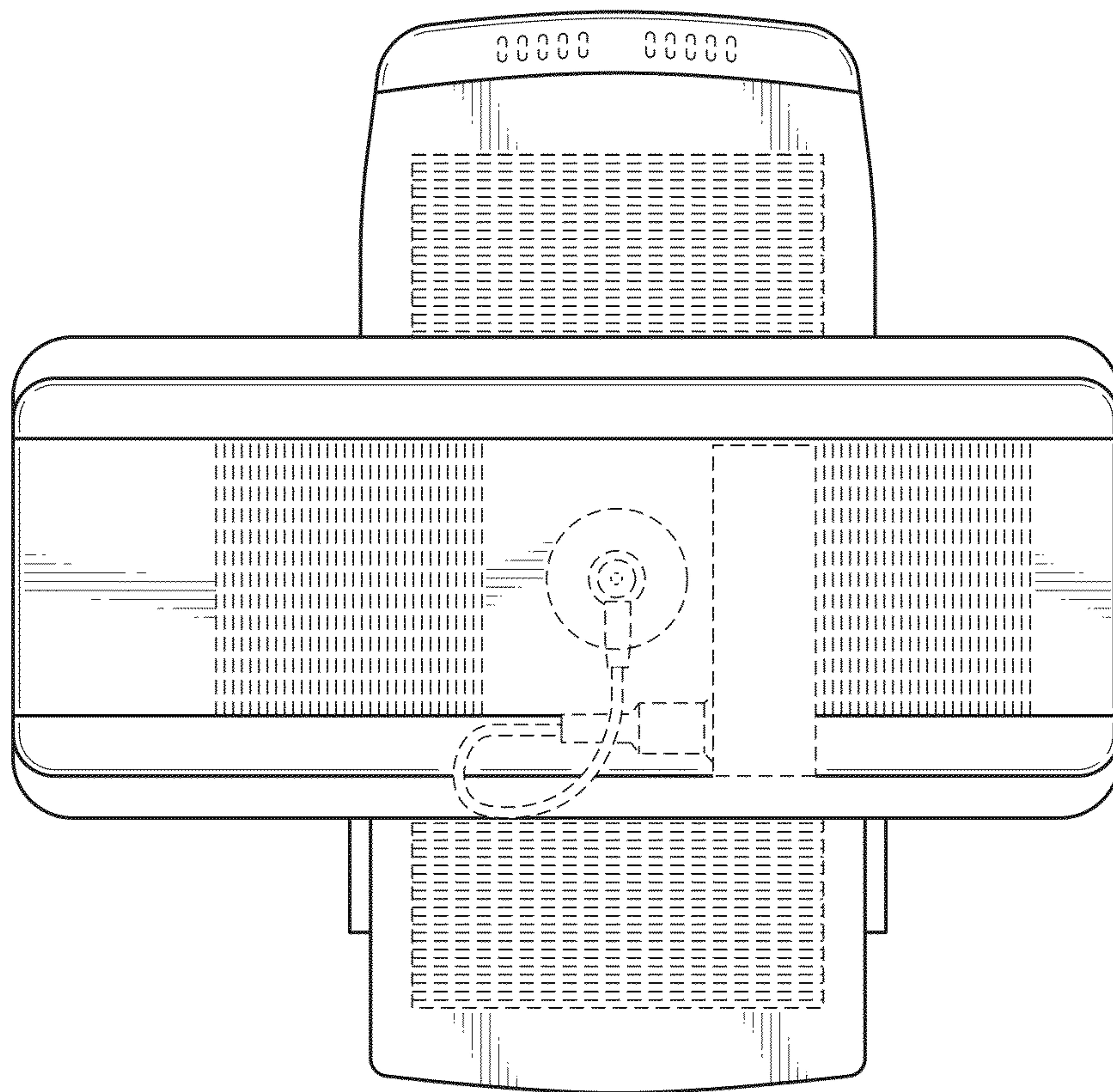


FIG. 7



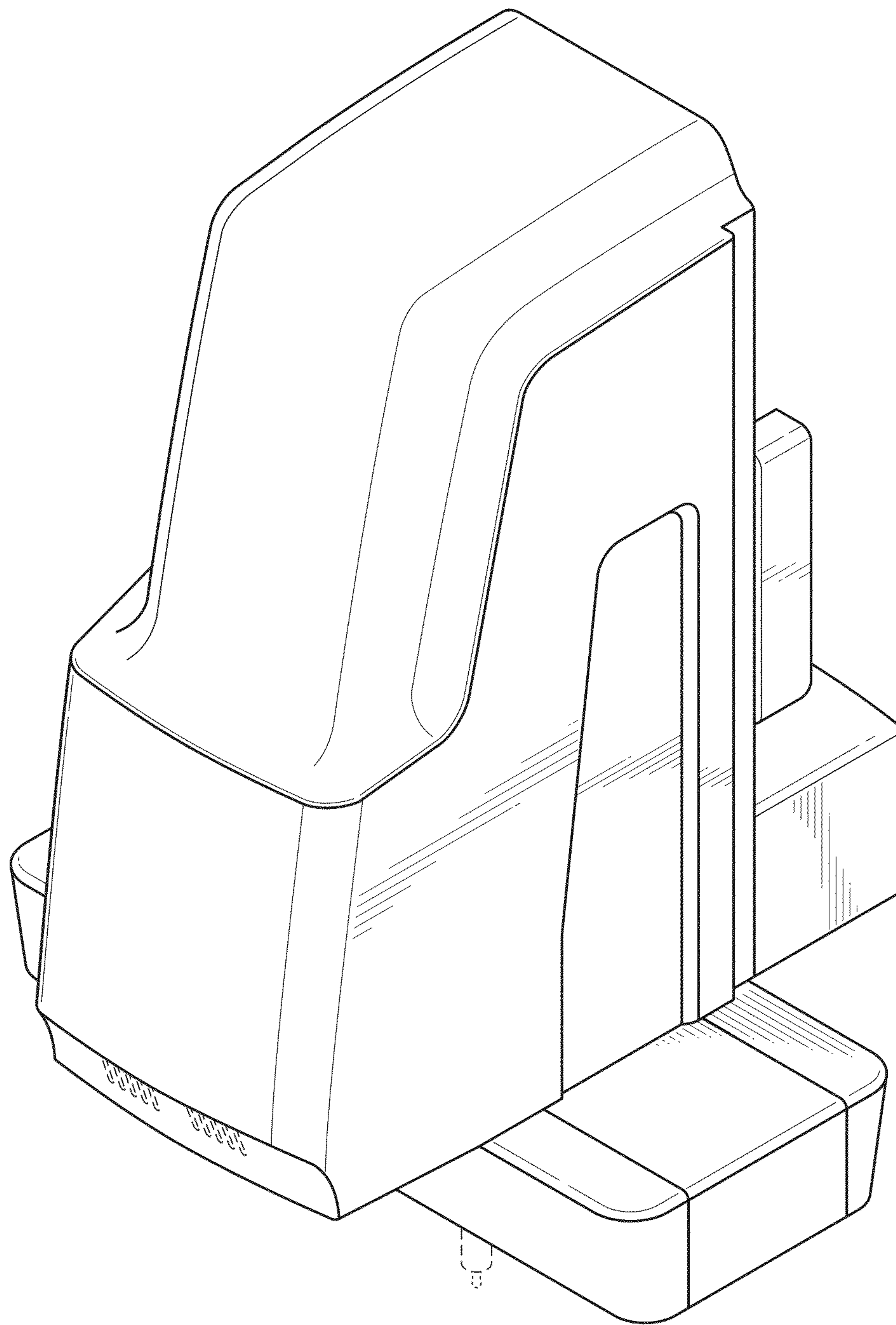


FIG. 8

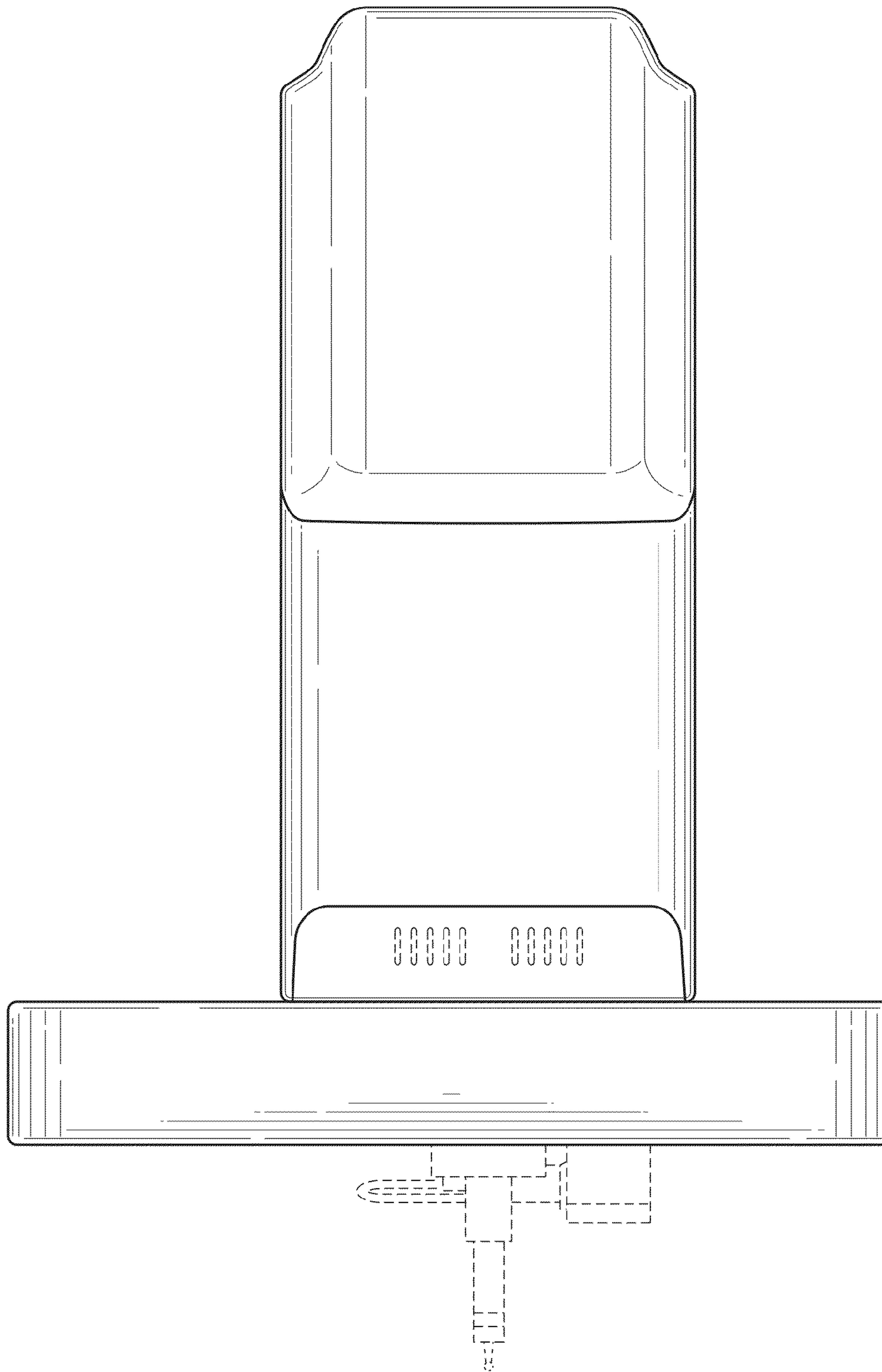


FIG. 9

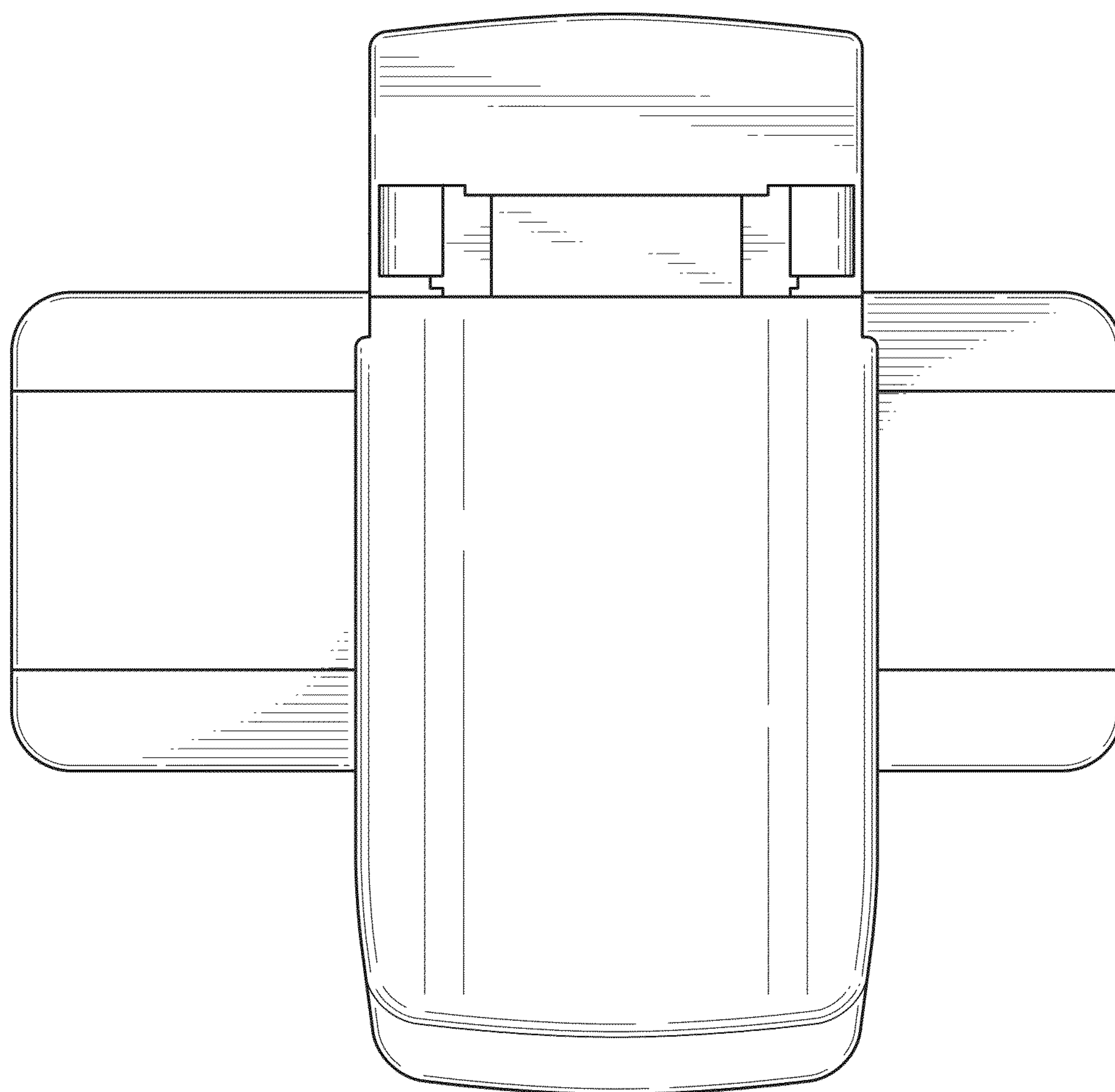


FIG. 10

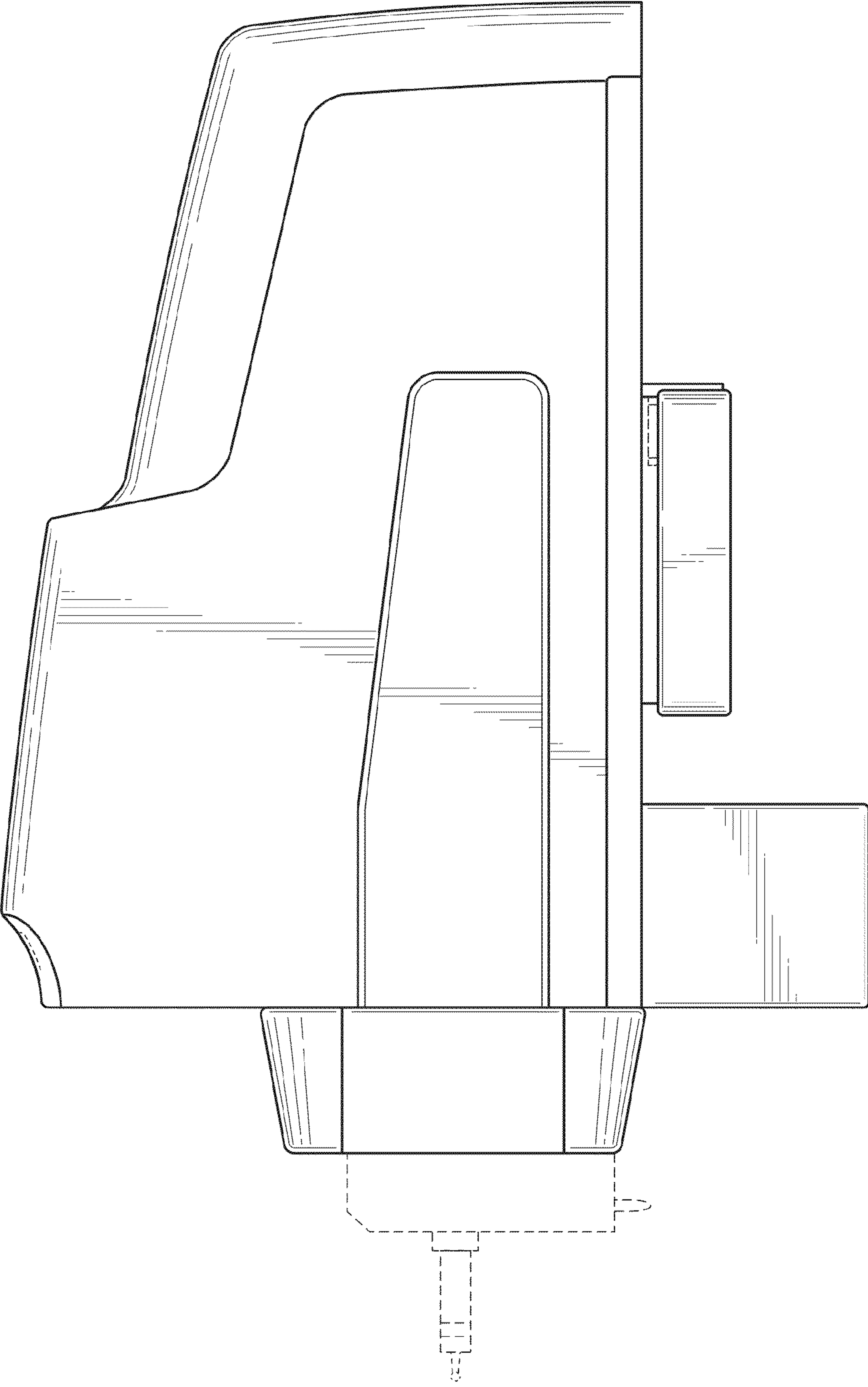


FIG. 11



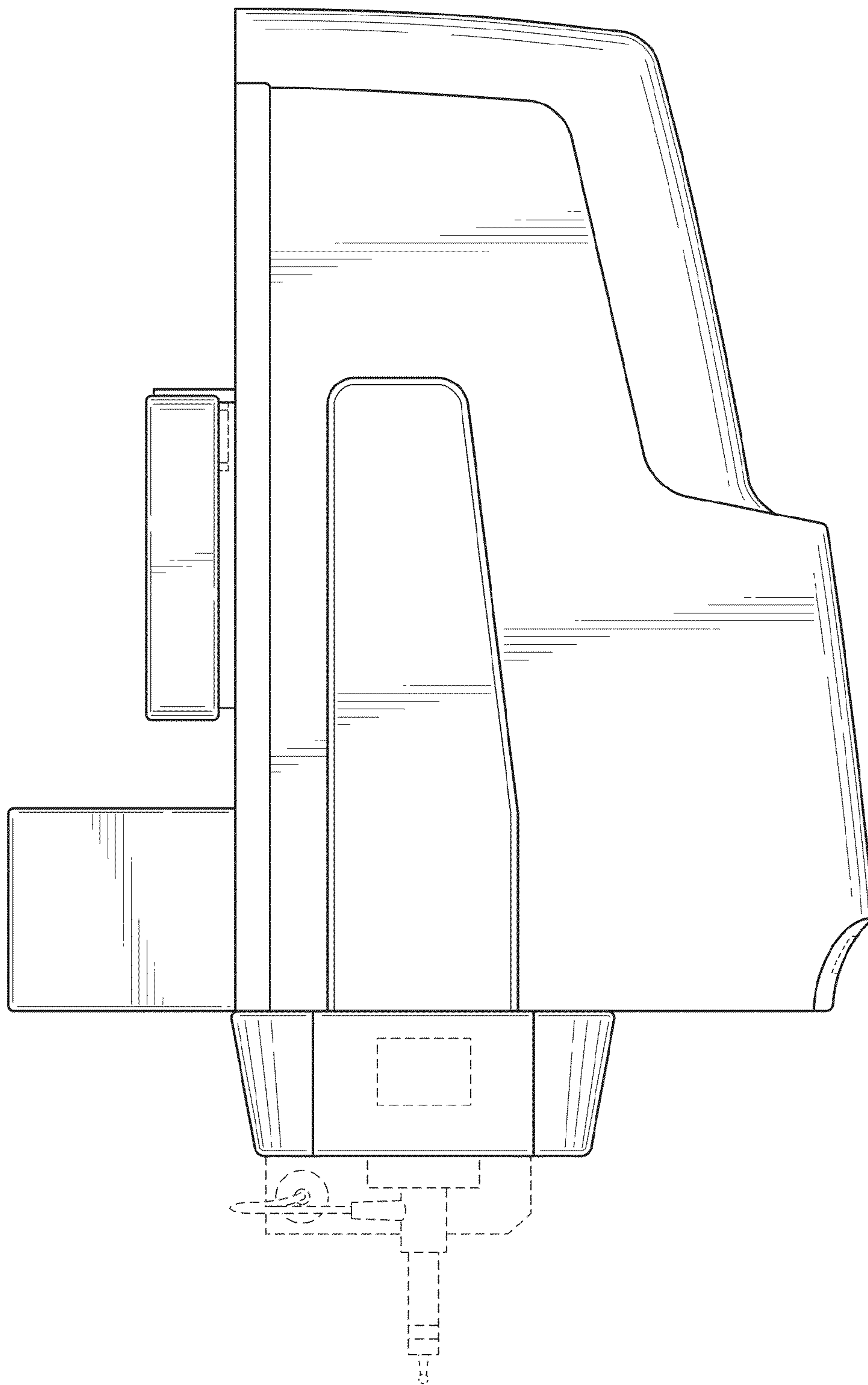


FIG. 12

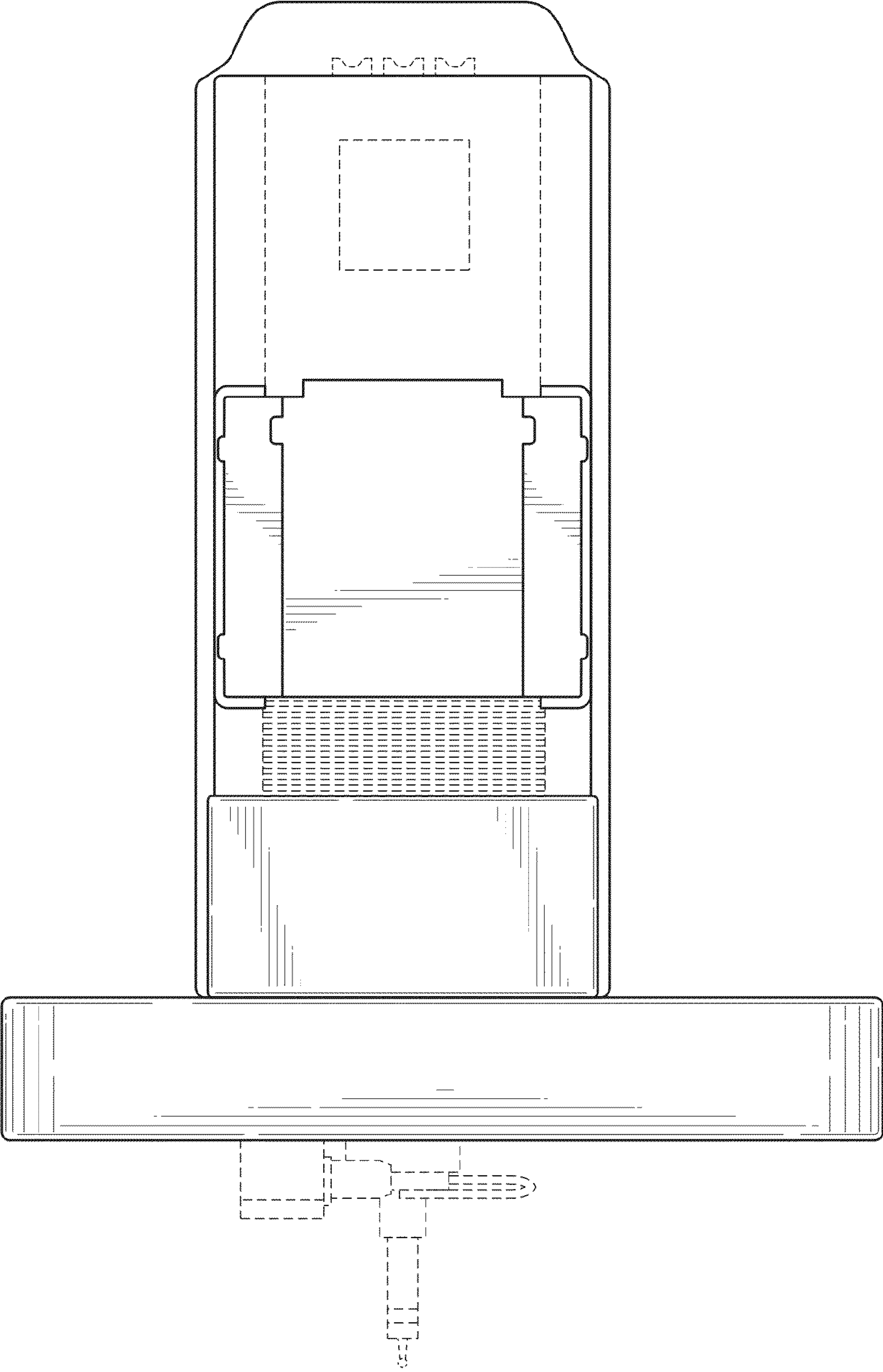


FIG. 13

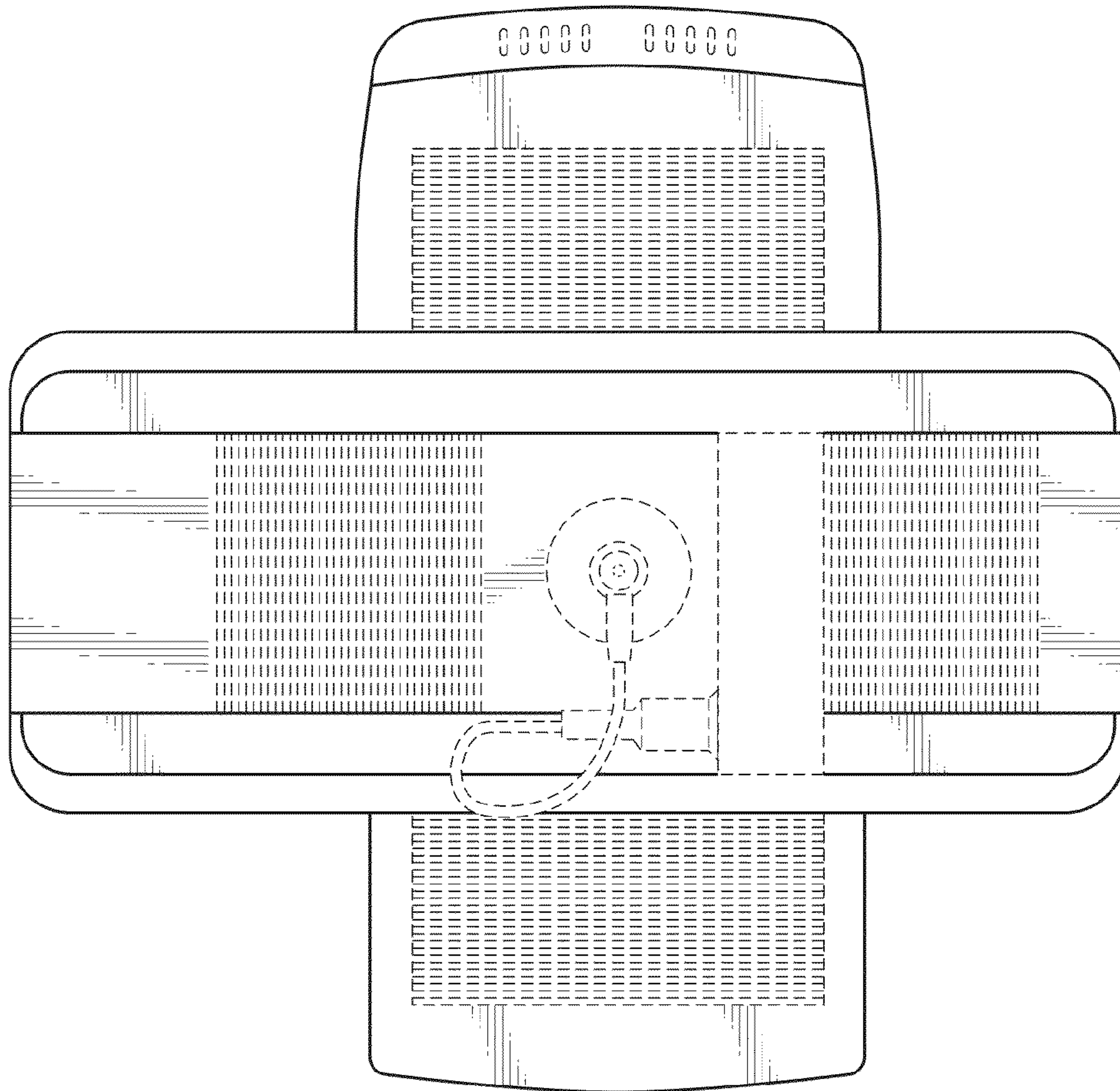


FIG. 14