



US00D712759S

(12) **United States Design Patent**  
**Forsberg et al.**

(10) **Patent No.:** **US D712,759 S**

(45) **Date of Patent:** **\*\* Sep. 9, 2014**

(54) **SURVEY CAMERA**

(56) **References Cited**

(71) Applicants: **Karl Forsberg**, Arsta (SE); **Niklas Briheim**, Stockholm (SE); **Kristoffer Svedulf**, Skogas (SE); **Robin Grieves**, Stockholm (SE); **Angela K. Vlasaty Peterson**, Broomfield, CO (US)

U.S. PATENT DOCUMENTS

5,222,708 A \* 6/1993 McLellan ..... 248/345.1  
D363,240 S \* 10/1995 Hirakawa et al. .... D10/66  
D467,825 S \* 12/2002 Watson ..... D10/69

(72) Inventors: **Karl Forsberg**, Arsta (SE); **Niklas Briheim**, Stockholm (SE); **Kristoffer Svedulf**, Skogas (SE); **Robin Grieves**, Stockholm (SE); **Angela K. Vlasaty Peterson**, Broomfield, CO (US)

\* cited by examiner

*Primary Examiner* — Antoine D Davis

(74) *Attorney, Agent, or Firm* — Faegre Baker Daniels LLP

(73) Assignee: **Trimble Navigation Limited**, Westminster, CO (US)

(57) **CLAIM**

The ornamental design for a survey camera, as shown and described.

(\*\*) Term: **14 Years**

**DESCRIPTION**

(21) Appl. No.: **29/449,827**

(22) Filed: **Mar. 15, 2013**

(51) **LOC (10) Cl.** ..... **10-04**

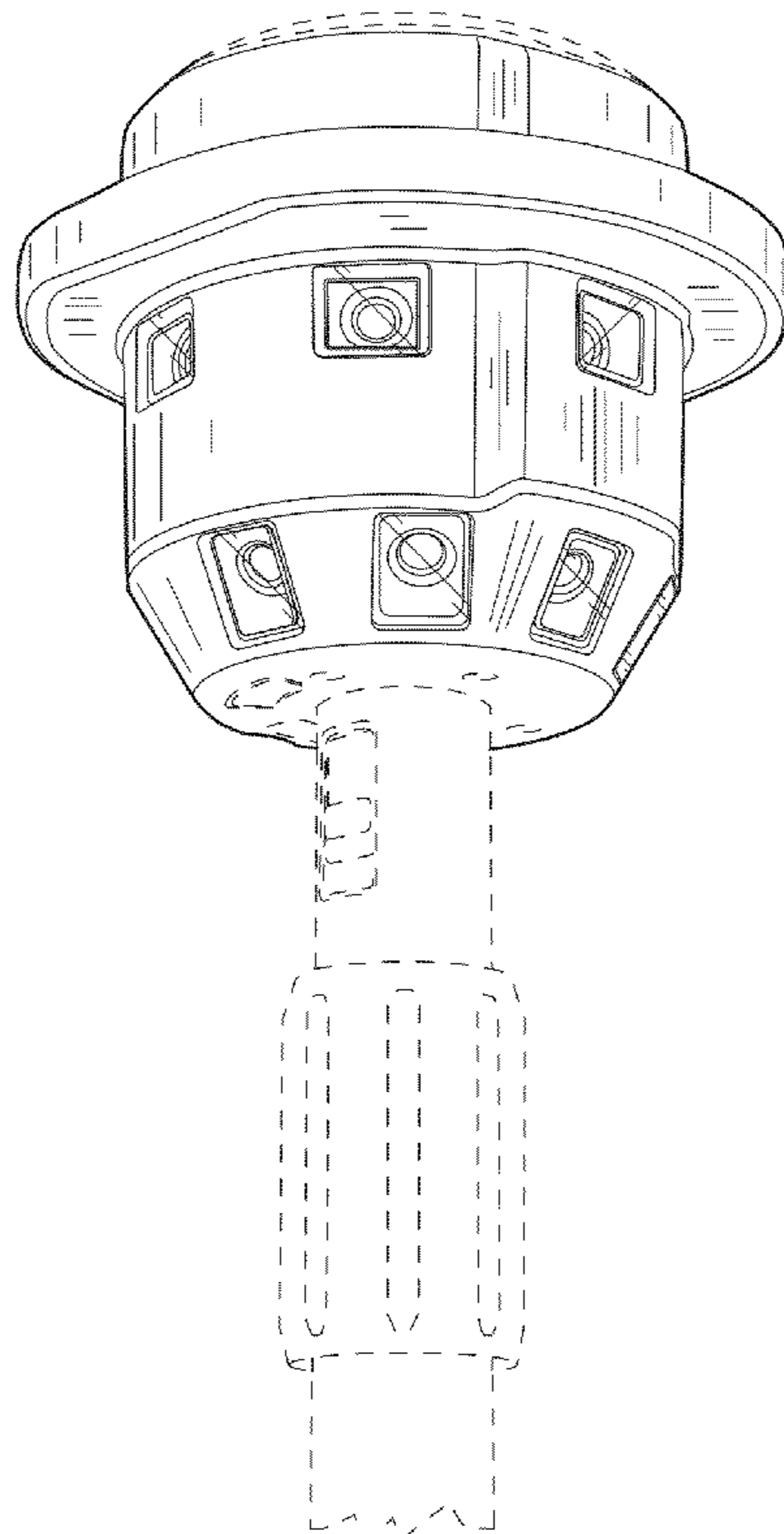
(52) **U.S. Cl.**  
USPC ..... **D10/66; D10/69; D10/70**

(58) **Field of Classification Search**  
CPC ..... G01C 25/00; G01C 1/02; G01C 3/08  
USPC ..... D10/66, 69; 340/522; 356/73, 614,  
356/139.01, 4.01, 139.04, 399; 359/212.1,  
359/629; 33/292; 701/300

FIG. 1 is a front perspective view of a survey camera;  
FIG. 2 is a front view thereof;  
FIG. 3 is a back view thereof;  
FIG. 4 is an inner side view thereof;  
FIG. 5 is an outer side view thereof;  
FIG. 6 is a top view thereof; and,  
FIG. 7 is a bottom view thereof.  
Particular features of the survey camera shown with broken lines form no part of the claimed design.

See application file for complete search history.

**1 Claim, 7 Drawing Sheets**



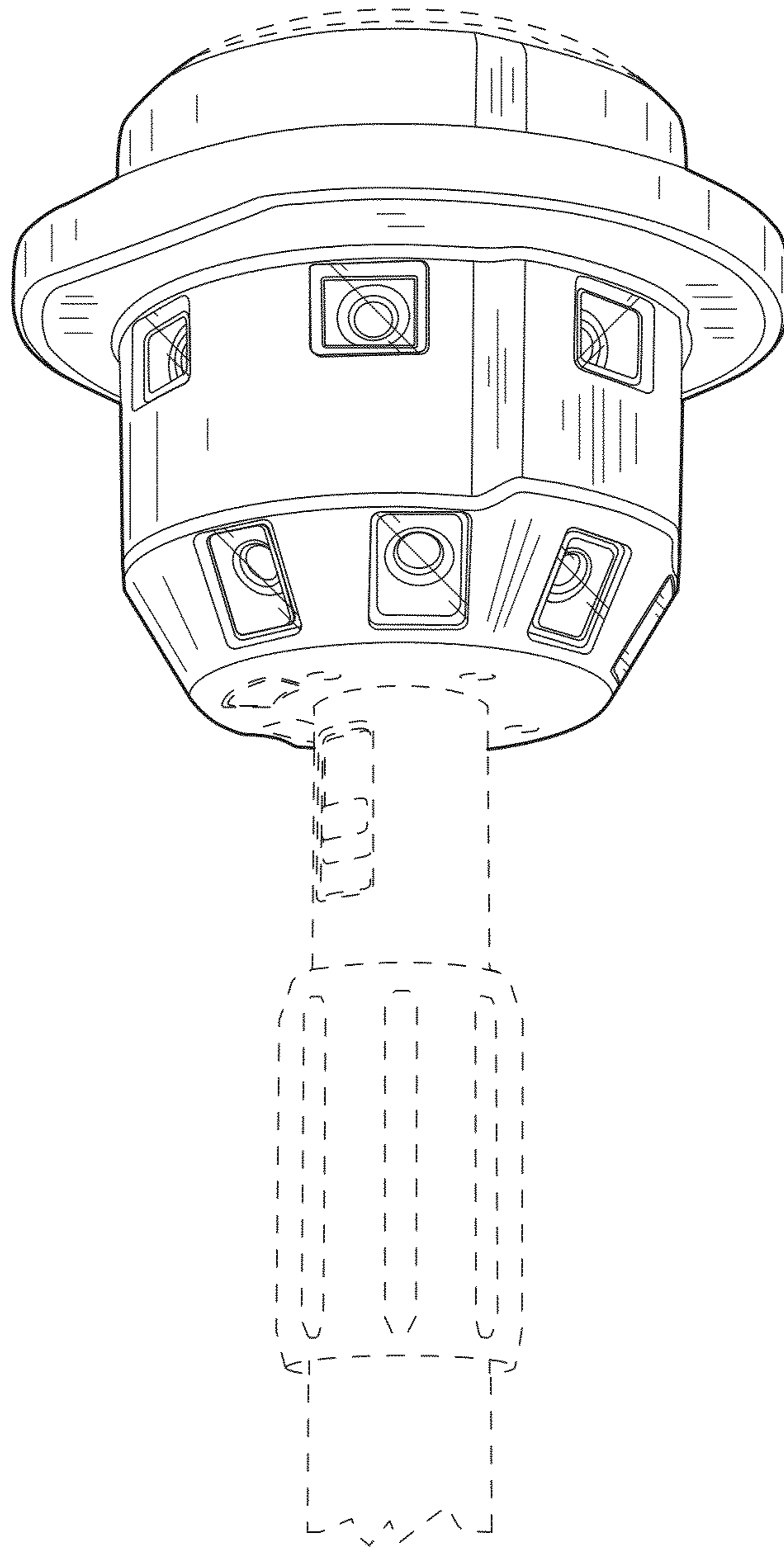


FIG.1

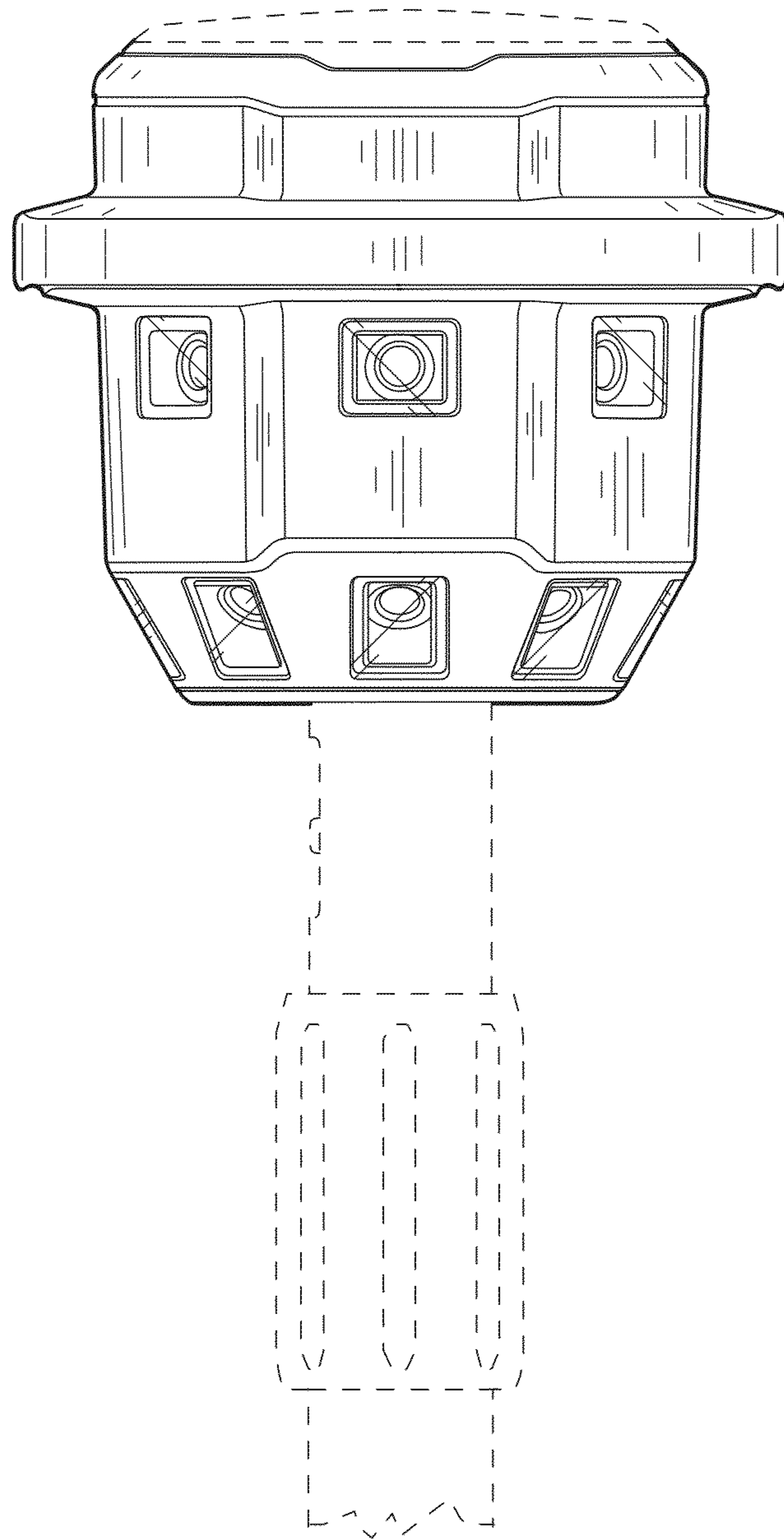


FIG.2

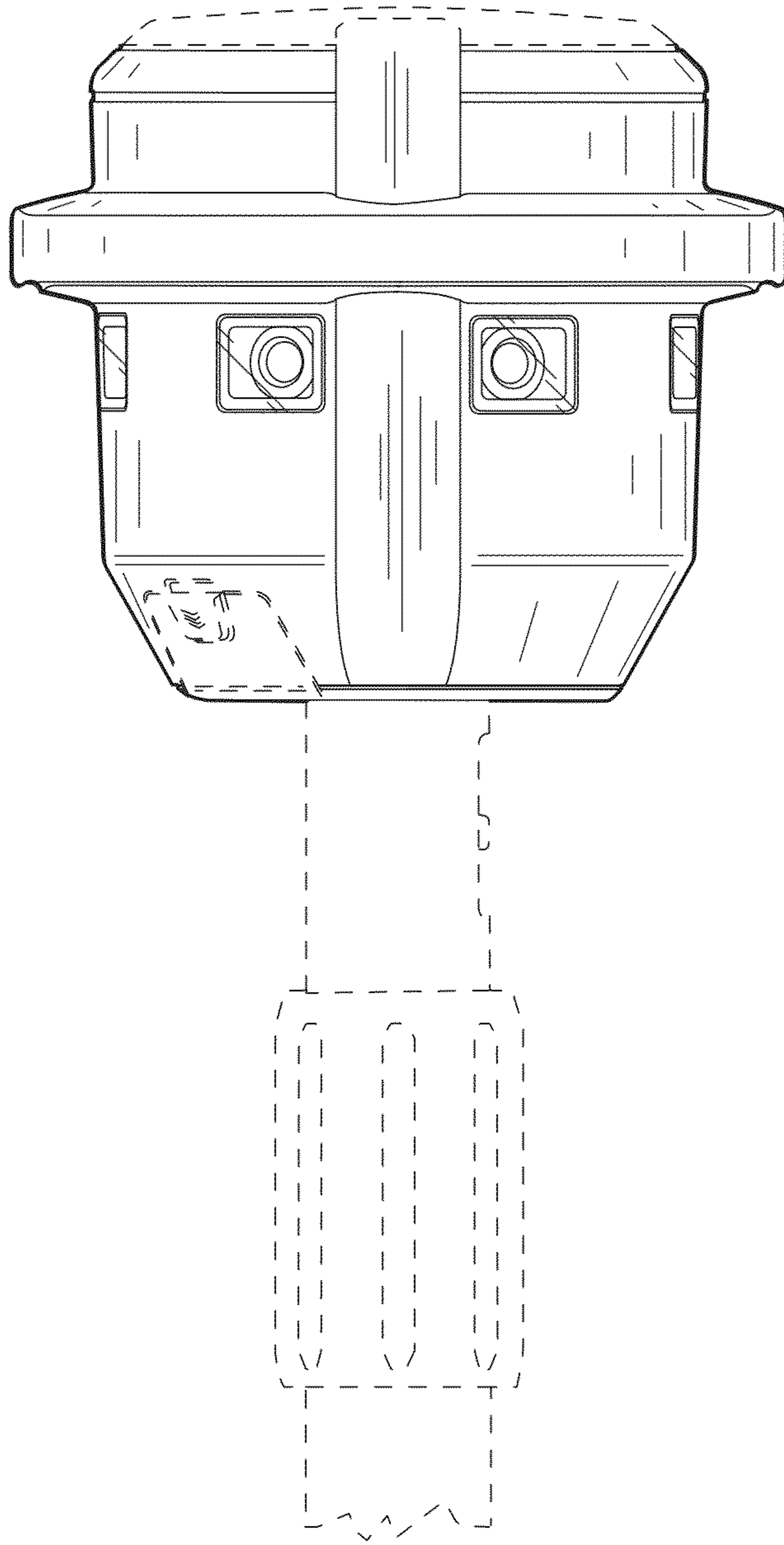


FIG.3

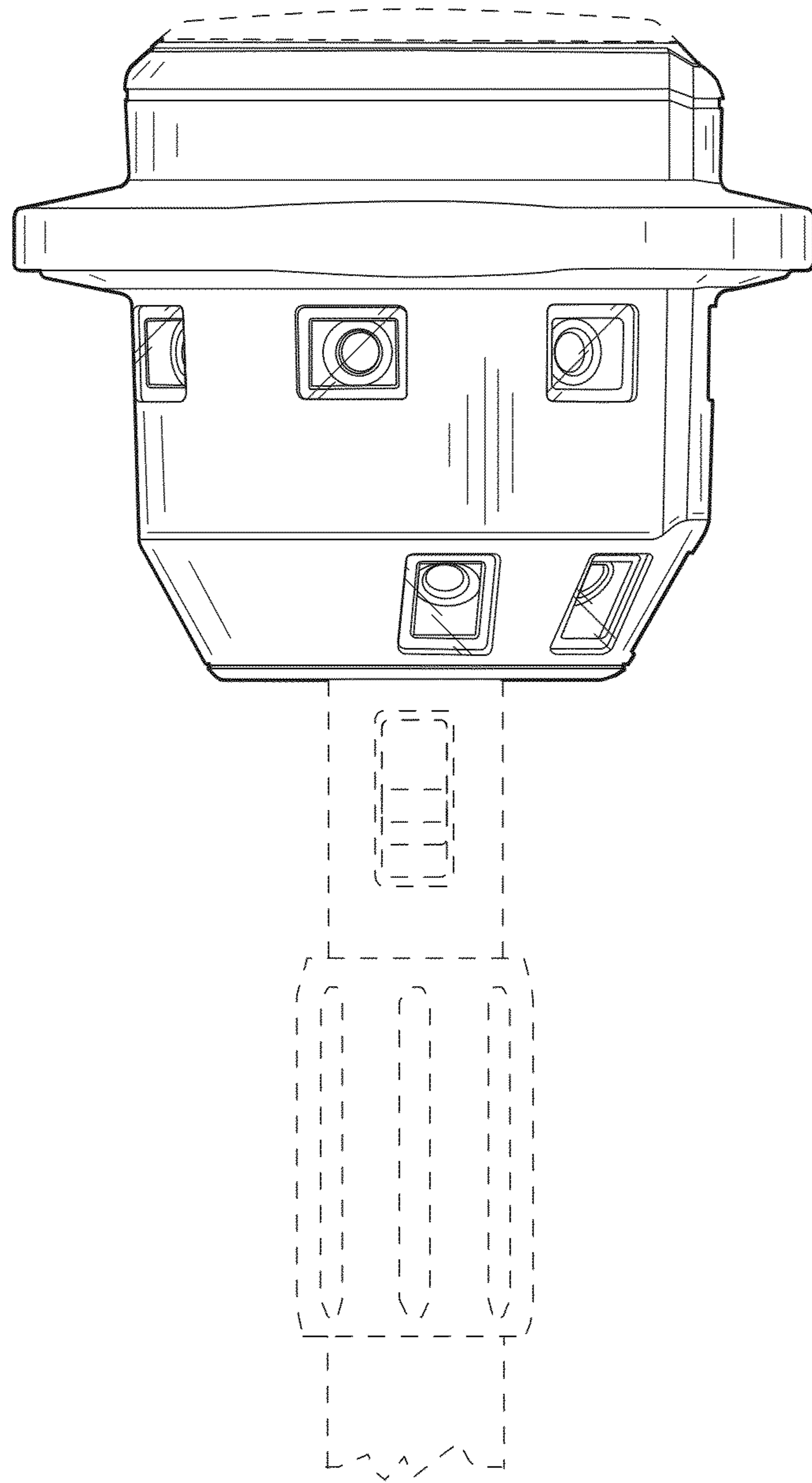


FIG.4



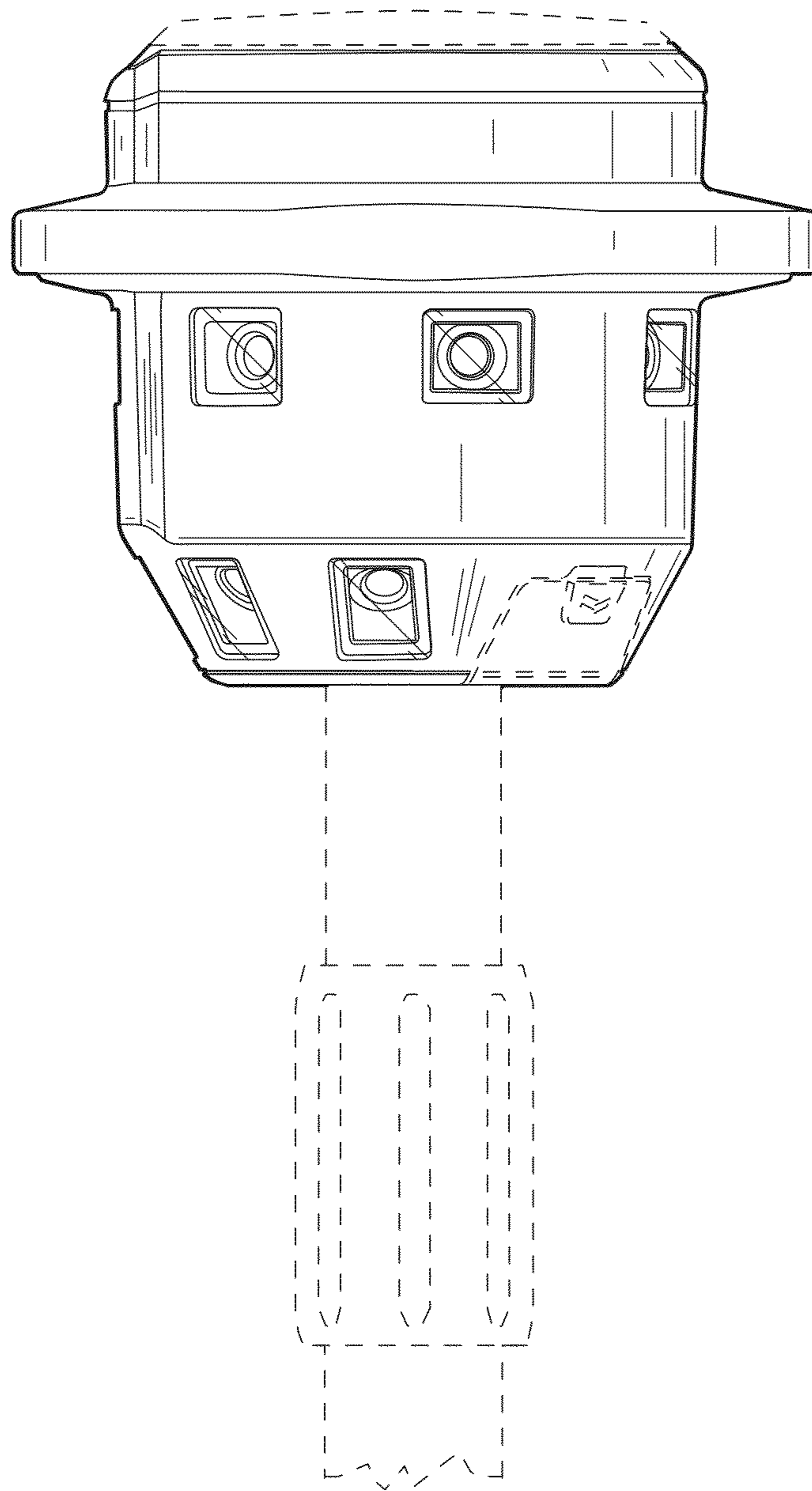


FIG.5

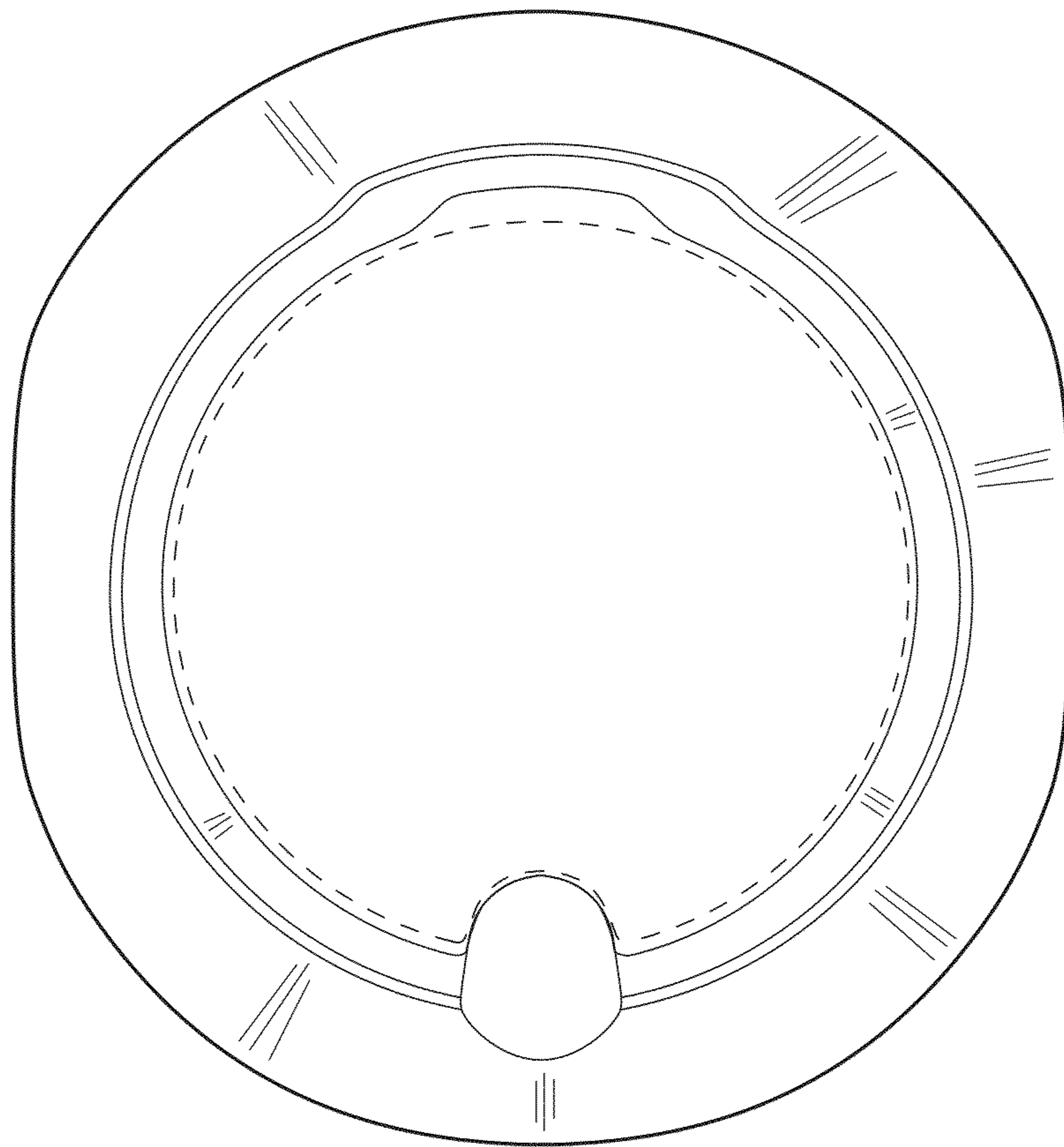


FIG. 6

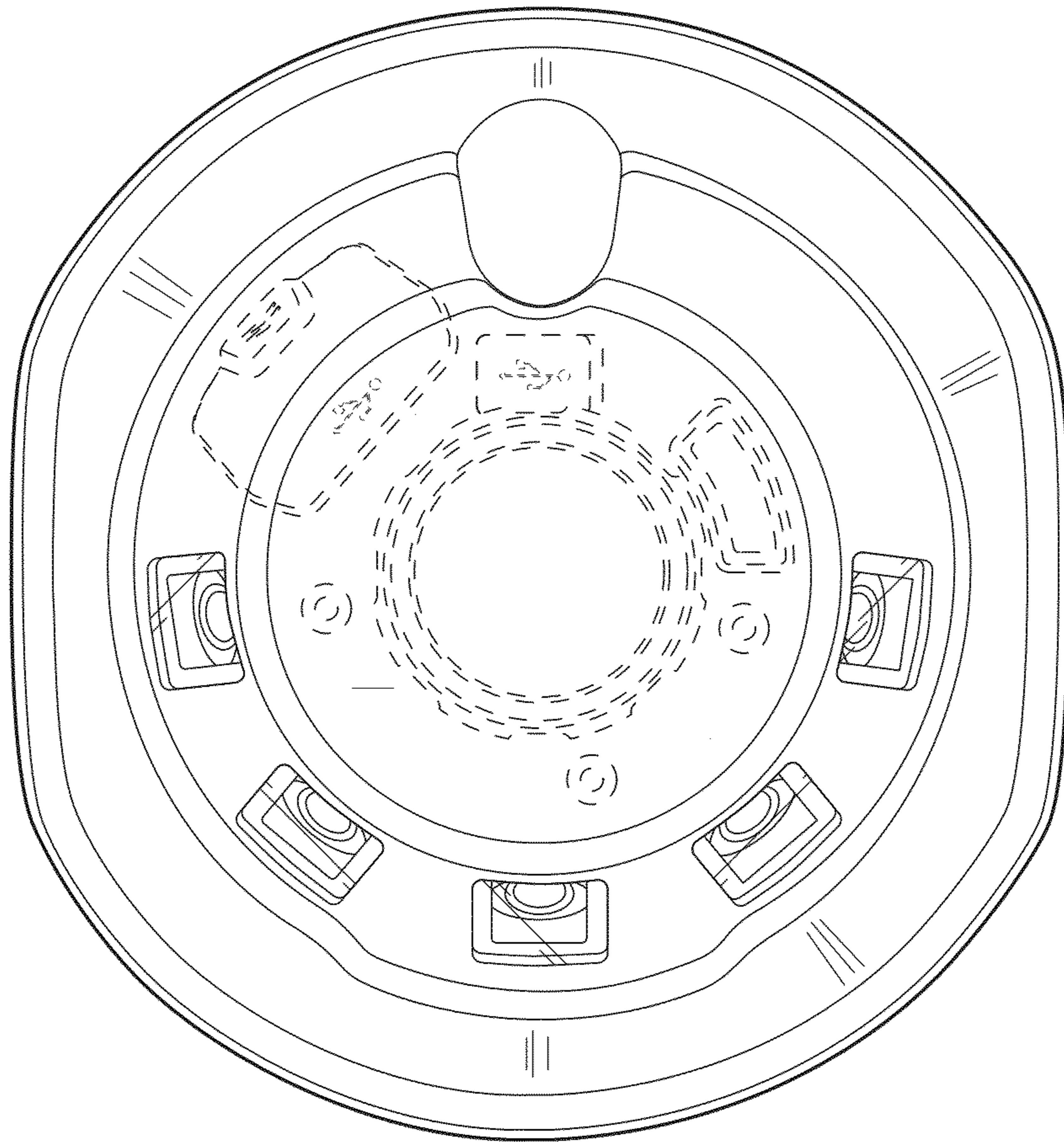


FIG.7