



US00D712758S

(12) **United States Design Patent**  
**Woletz et al.**

(10) **Patent No.:** **US D712,758 S**

(45) **Date of Patent:** **\*\* Sep. 9, 2014**

(54) **STORAGE DEVICE FOR A PROBE HEAD**

(71) Applicant: **Carl Zeiss Industrielle Messtechnik GmbH**, Oberkochen (DE)

(72) Inventors: **Tobias Woletz**, Essingen (DE); **Walter Matuschek**, Aalen (DE); **Christian Siegel**, Aalen (DE); **Walter Jenisch**, Heidenheim (DE); **Kurt Brenner**, Satteldorf (DE); **Thomas Engel**, Aalen (DE)

(73) Assignee: **Carl Zeiss Industrielle Messtechnik GmbH**, Oberkochen (DE)

(\*\*) Term: **14 Years**

(21) Appl. No.: **29/440,114**

(22) Filed: **Dec. 19, 2012**

(30) **Foreign Application Priority Data**

Jun. 29, 2012 (EM) ..... 002066191-0001-4

(51) **LOC (10) Cl.** ..... **10-04**

(52) **U.S. Cl.**  
USPC ..... **D10/63**

(58) **Field of Classification Search**  
USPC ..... D10/63; 33/503  
See application file for complete search history.

(56) **References Cited**

**U.S. PATENT DOCUMENTS**

D572,611 S \* 7/2008 Contreras ..... D10/63  
D584,971 S \* 1/2009 Contreras ..... D10/63

\* cited by examiner

*Primary Examiner* — Antoine D Davis

(74) *Attorney, Agent, or Firm* — Harness, Dickey & Pierce, P.L.C.

(57) **CLAIM**

The ornamental design for a storage device for a probe head, as shown and described.

**DESCRIPTION**

FIG. 1 is a perspective view of a storage device for a probe head embodying our new design;

FIG. 2 is a top view of the storage device for a probe head shown in FIG. 1;

FIG. 3 is a front view of the storage device for a probe head shown in FIG. 1;

FIG. 4 is a rear view of the storage device for a probe head shown in FIG. 1;

FIG. 5 is a right side view of the storage device for a probe head shown in FIG. 1;

FIG. 6 is a left side view of the storage device for a probe head shown in FIG. 1;

FIG. 7 is a bottom view of the storage device for a probe head shown in FIG. 1;

FIG. 8 is a perspective view of a second embodiment of a storage device for a probe head embodying our new design;

FIG. 9 is a top view of the storage device for a probe head shown in FIG. 8;

FIG. 10 is a front view of the storage device for a probe head shown in FIG. 8;

FIG. 11 is a rear view of the storage device for a probe head shown in FIG. 8;

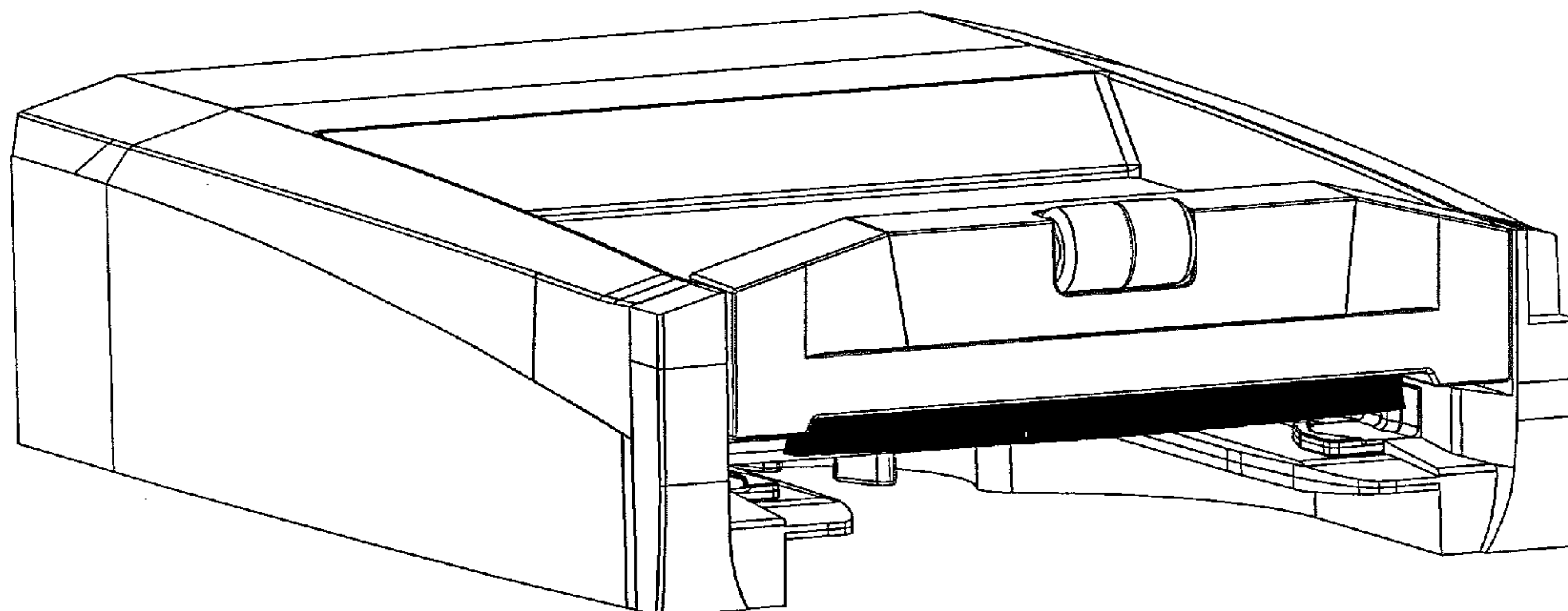
FIG. 12 is a right side view of the storage device for a probe head shown in FIG. 8;

FIG. 13 is a left side view of the storage device for a probe head shown in FIG. 8; and,

FIG. 14 is a bottom view of the storage device for a probe head shown in FIG. 8.

The broken lines shown in FIGS. 3, 4, 7, 10, 11 and 14 are for purposes of illustration only and form no part of the claimed design.

**1 Claim, 14 Drawing Sheets**



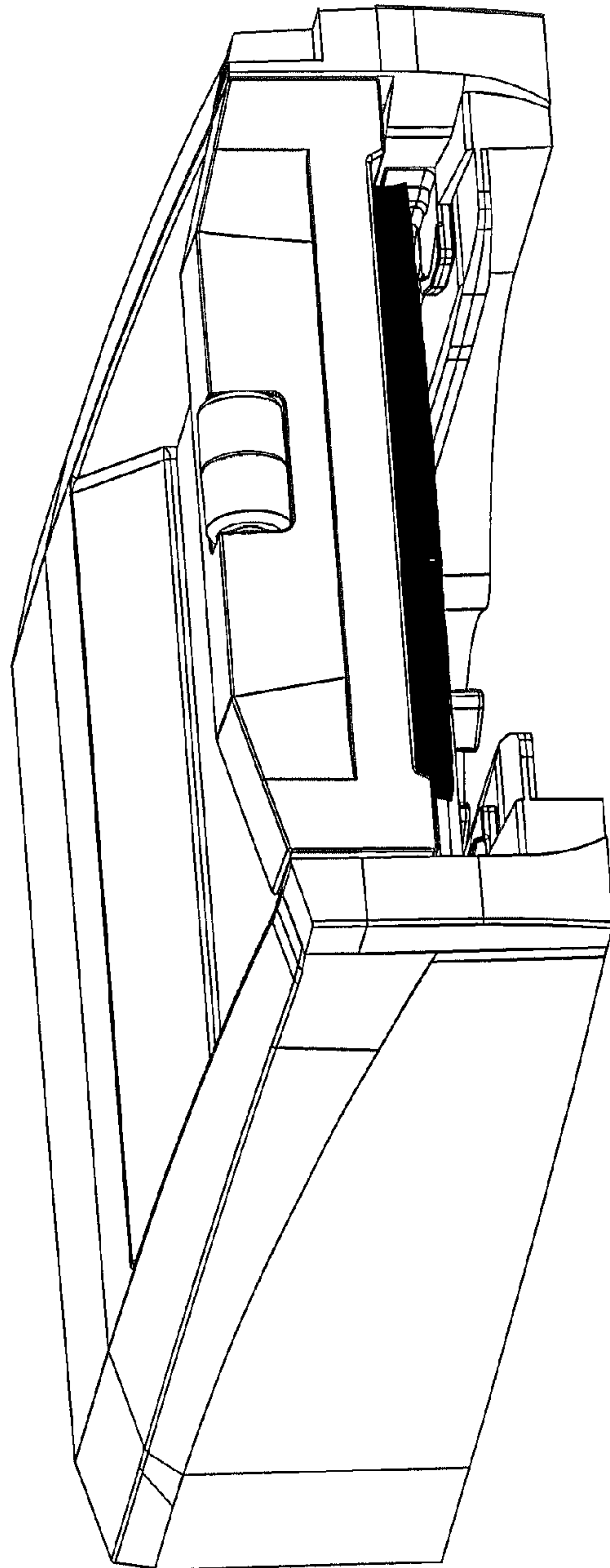


FIG - 1

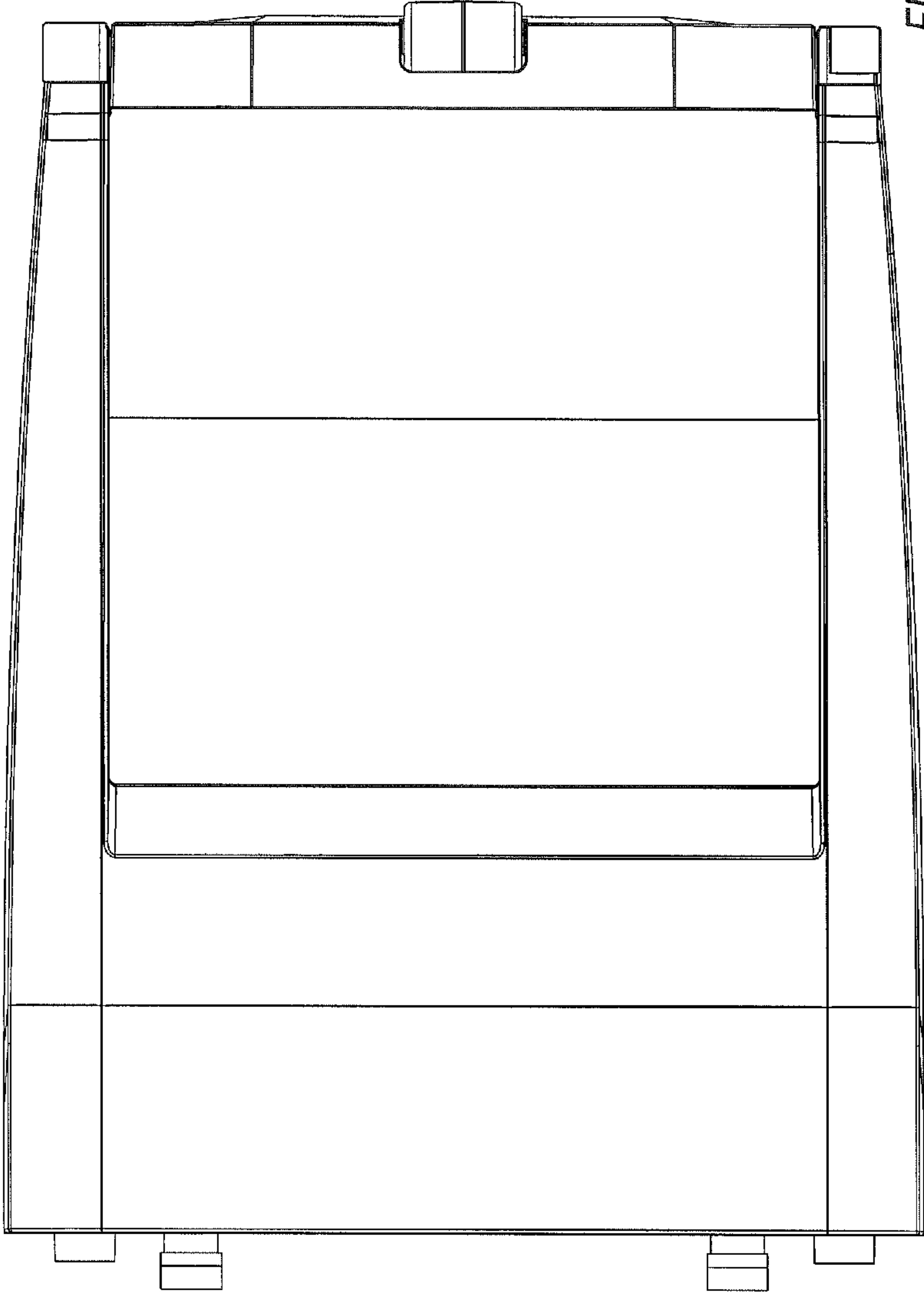


FIG - 2

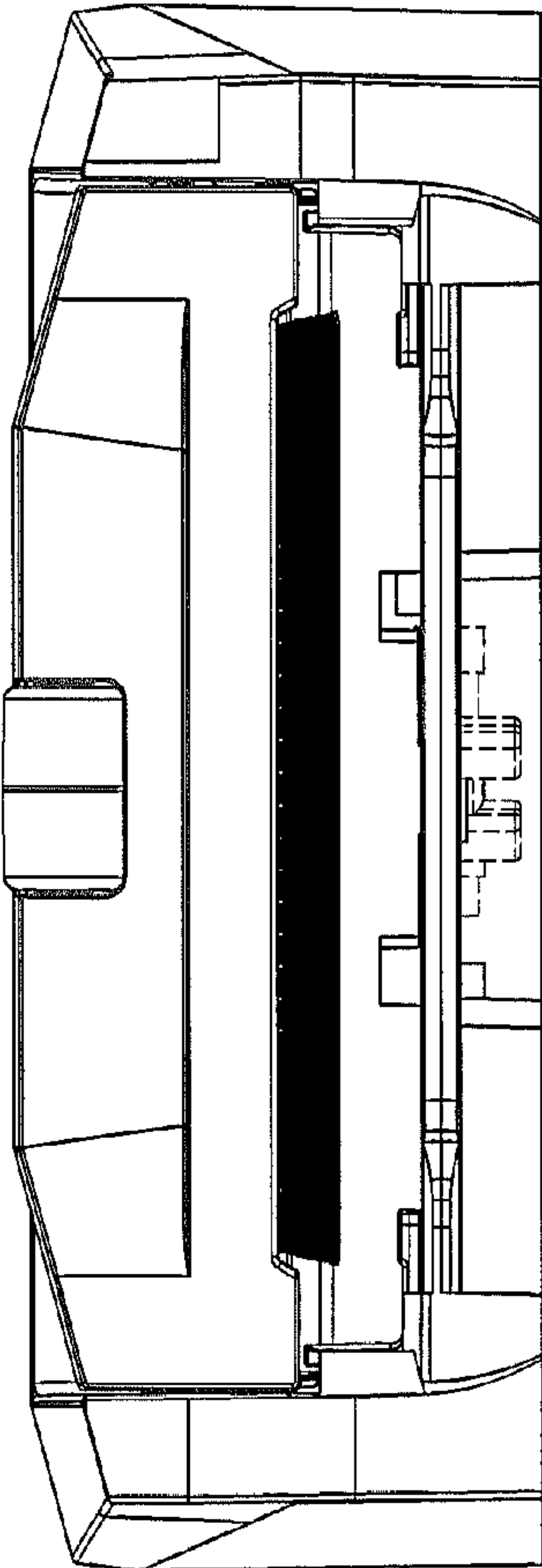


FIG - 3

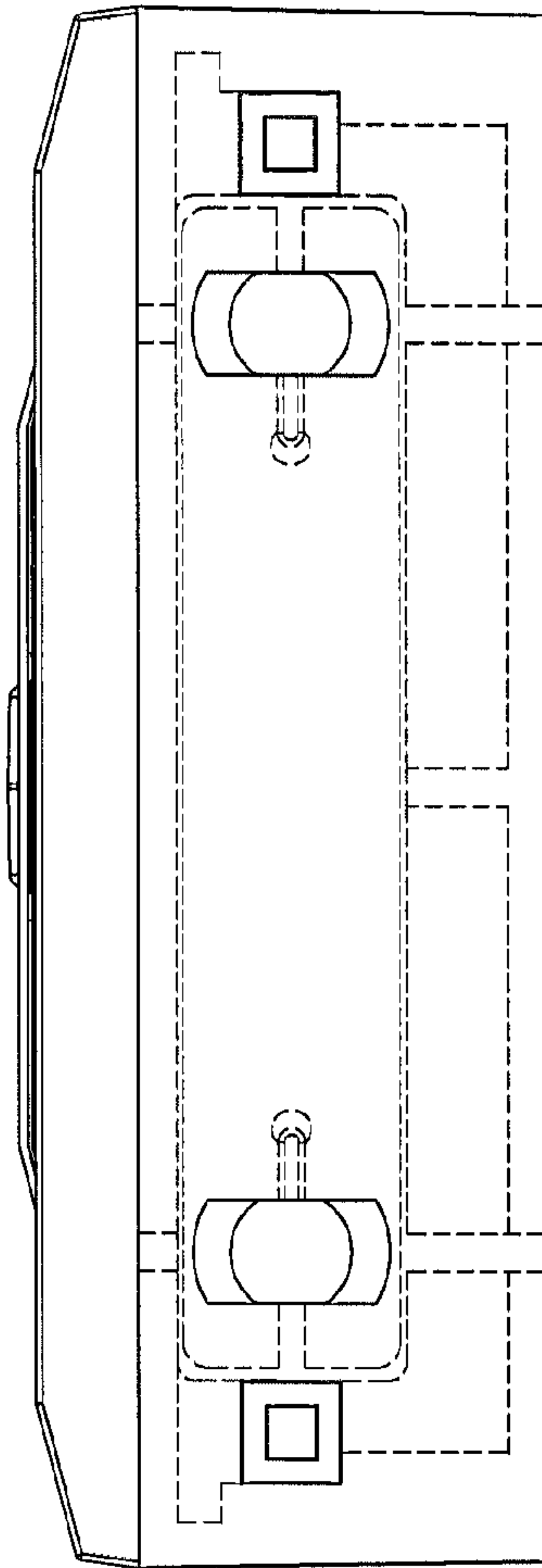


FIG-4

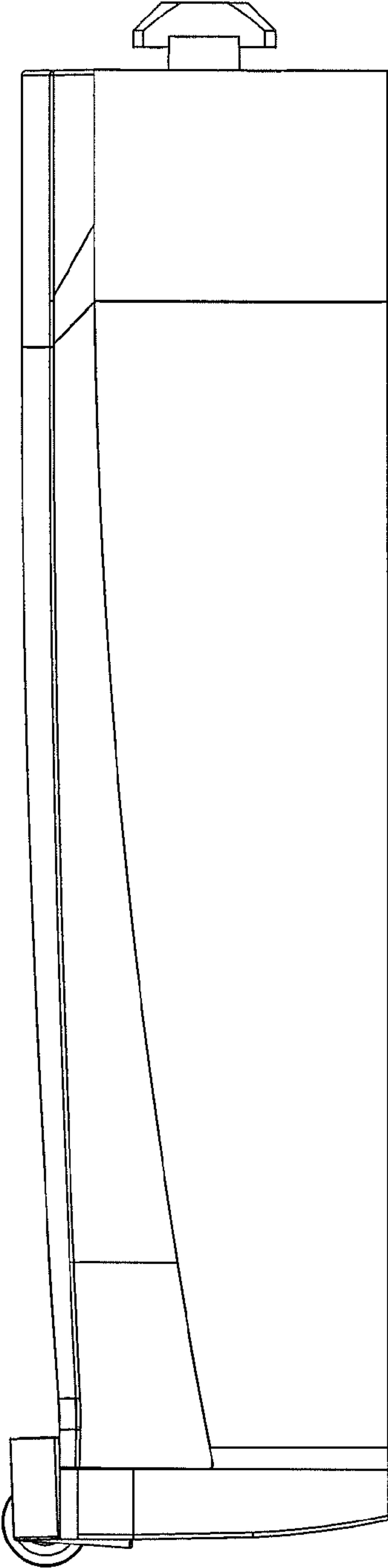


FIG - 5

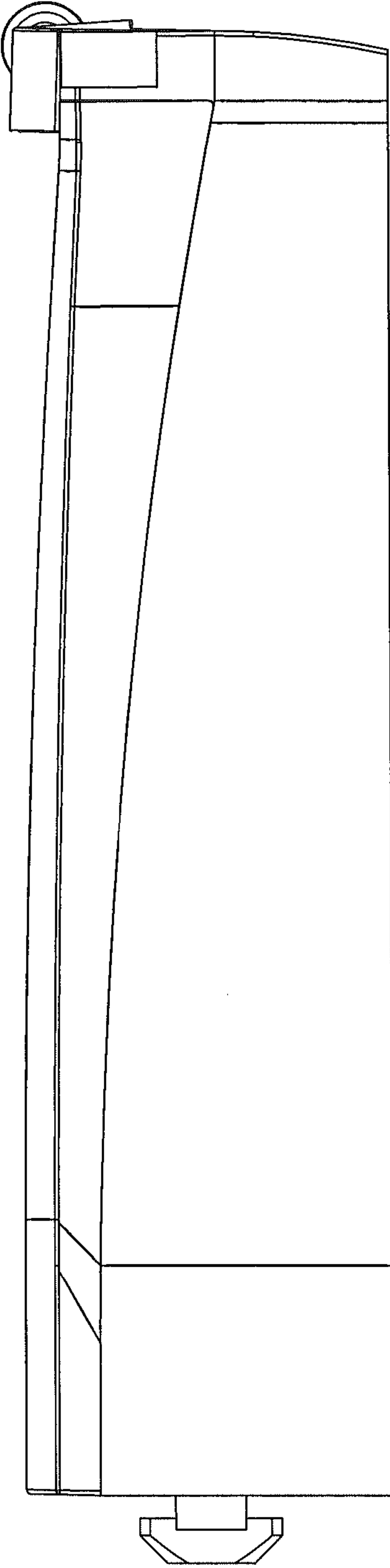


FIG - 6

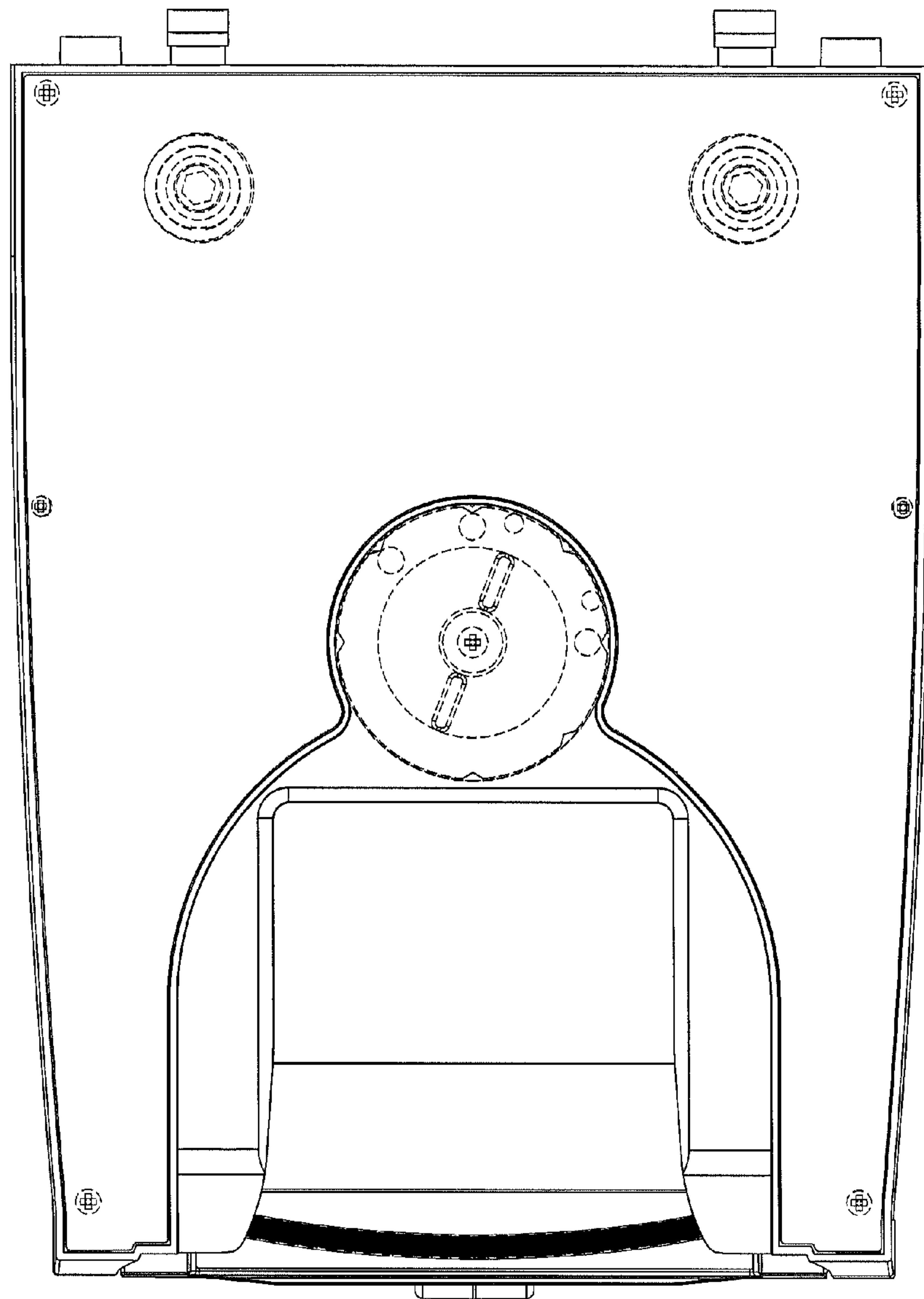


FIG-7



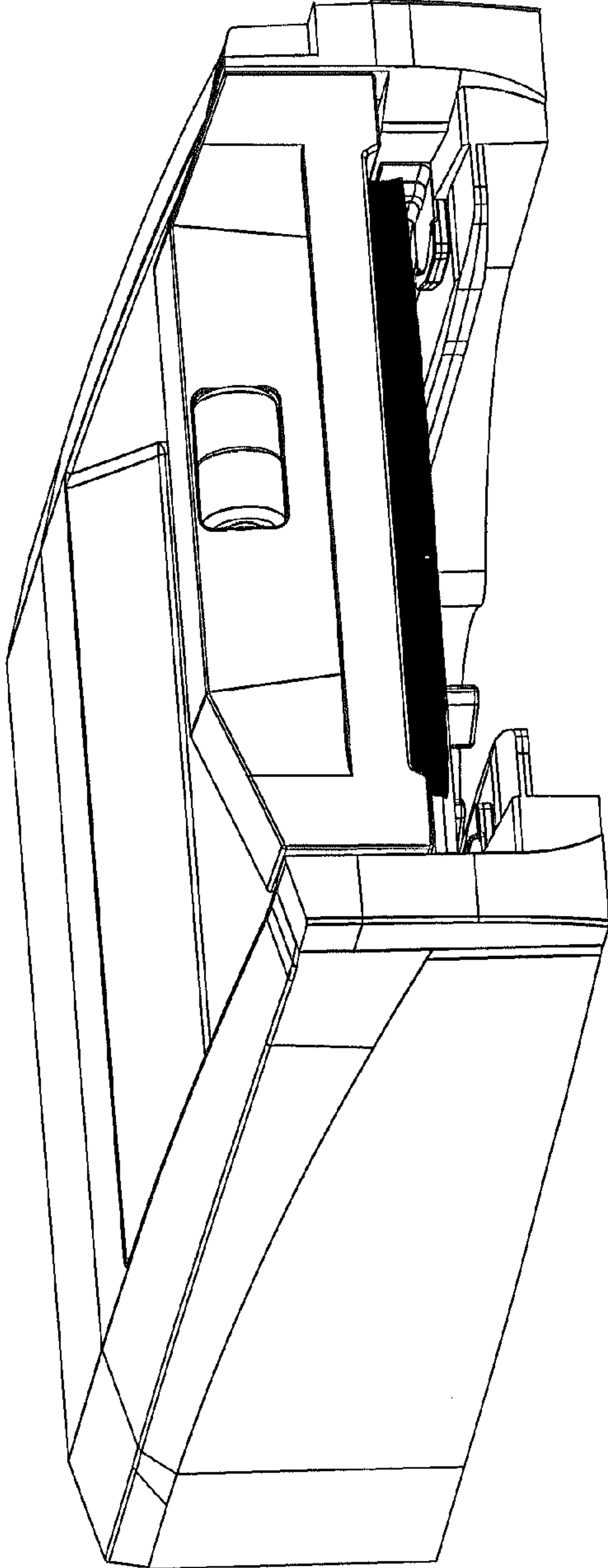


FIG - 8

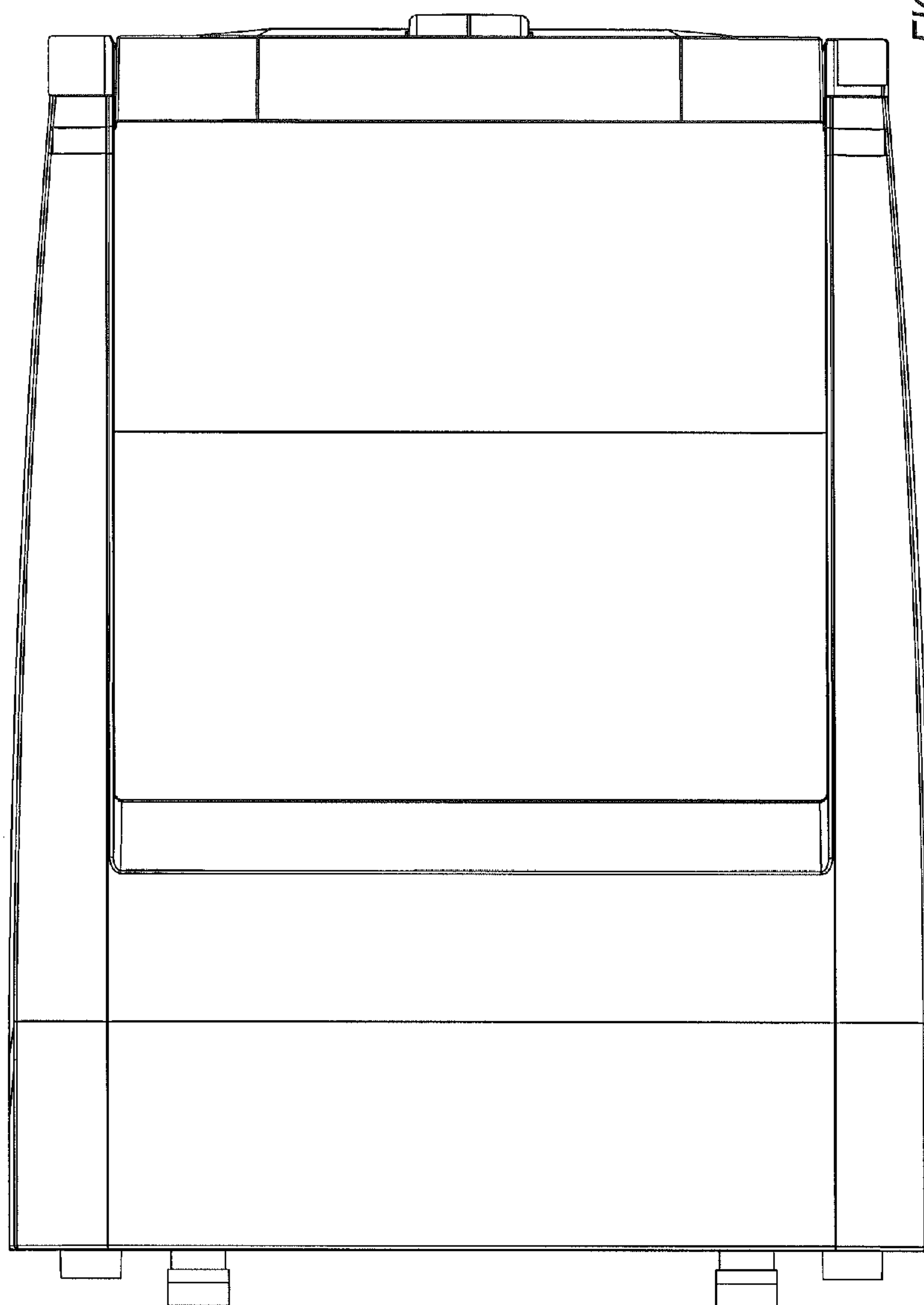


FIG - 9

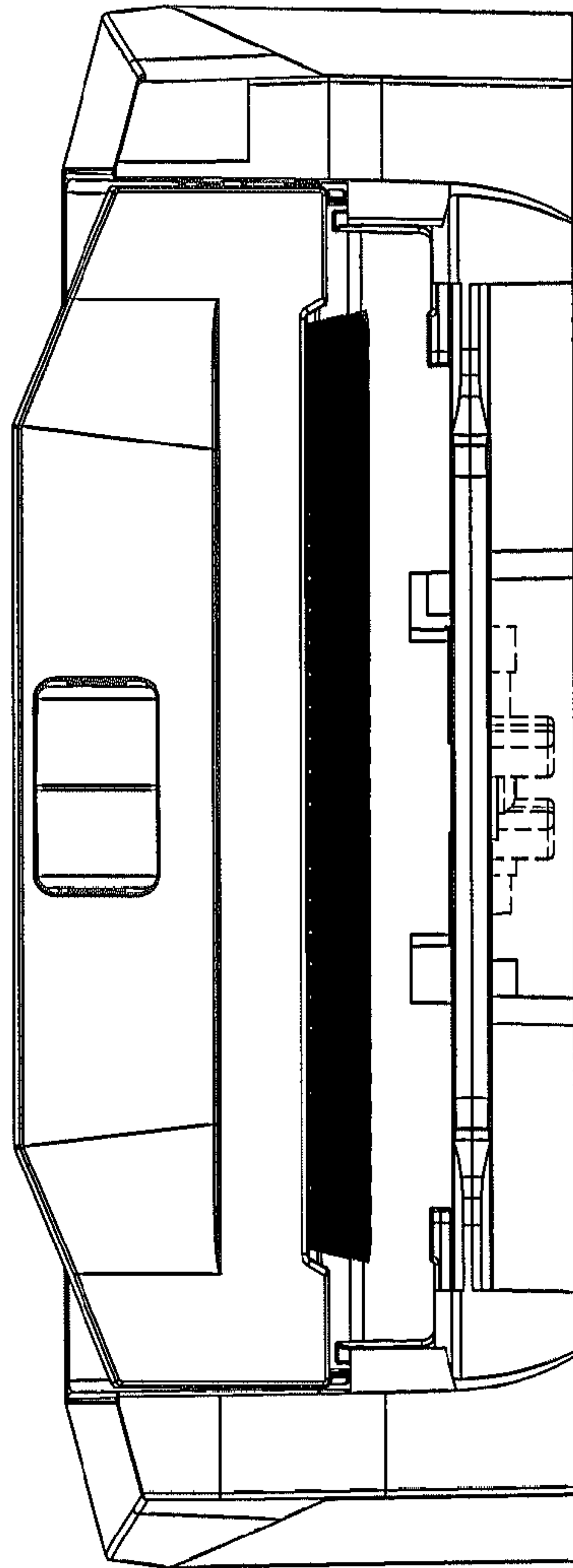


FIG - 10

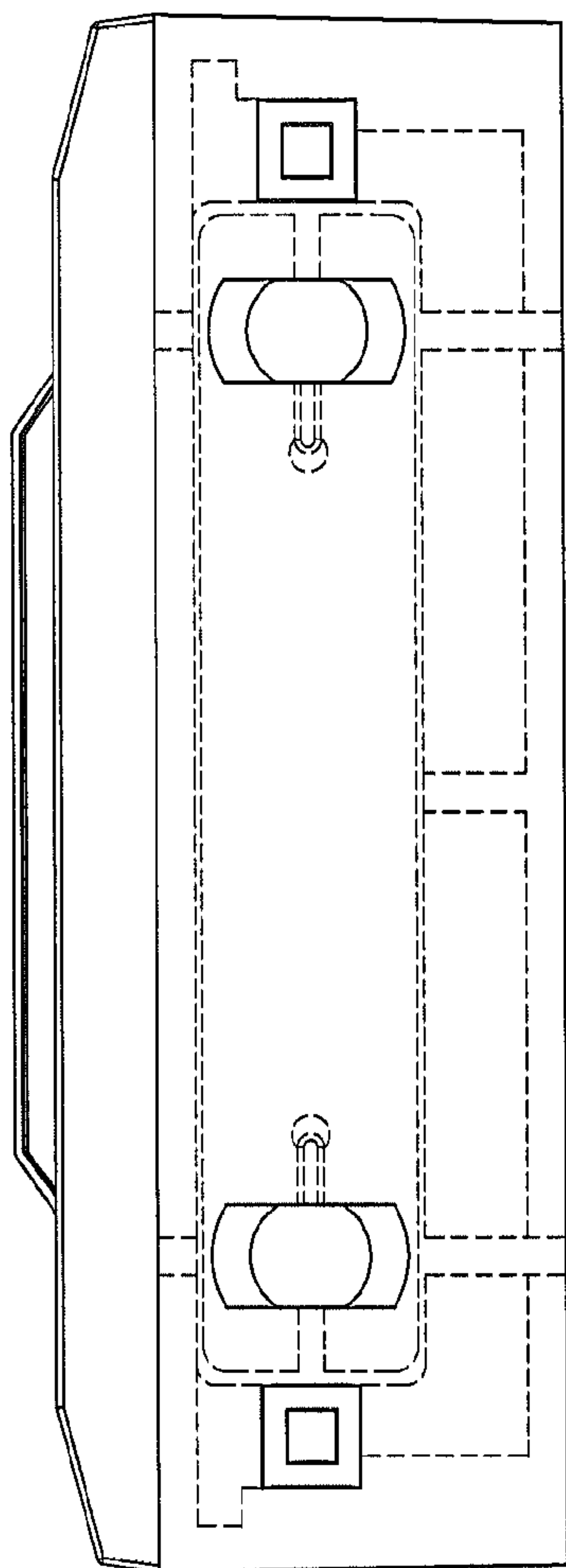


FIG - 11

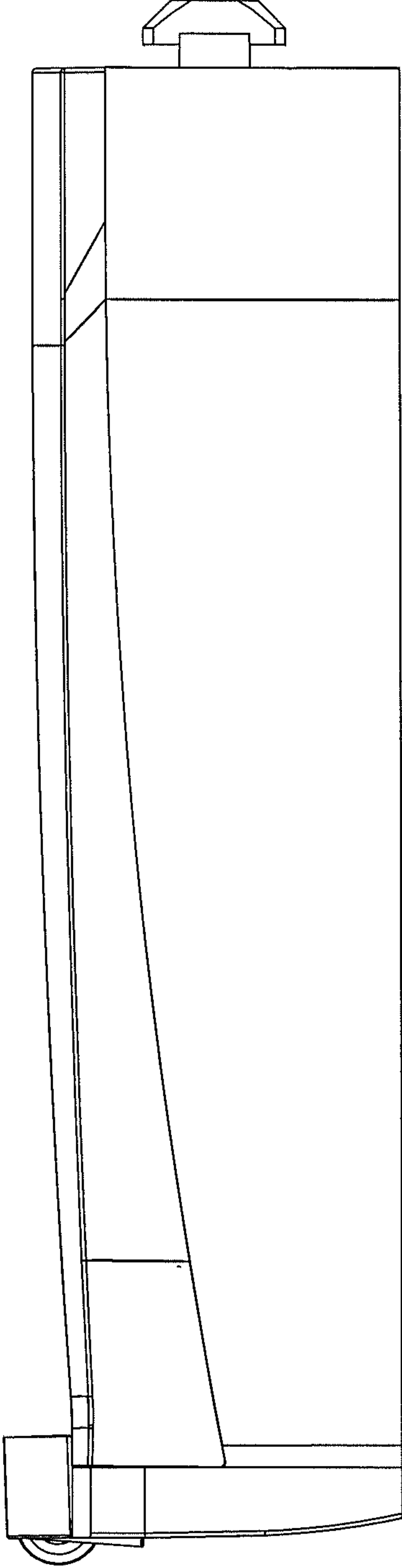


FIG - 12

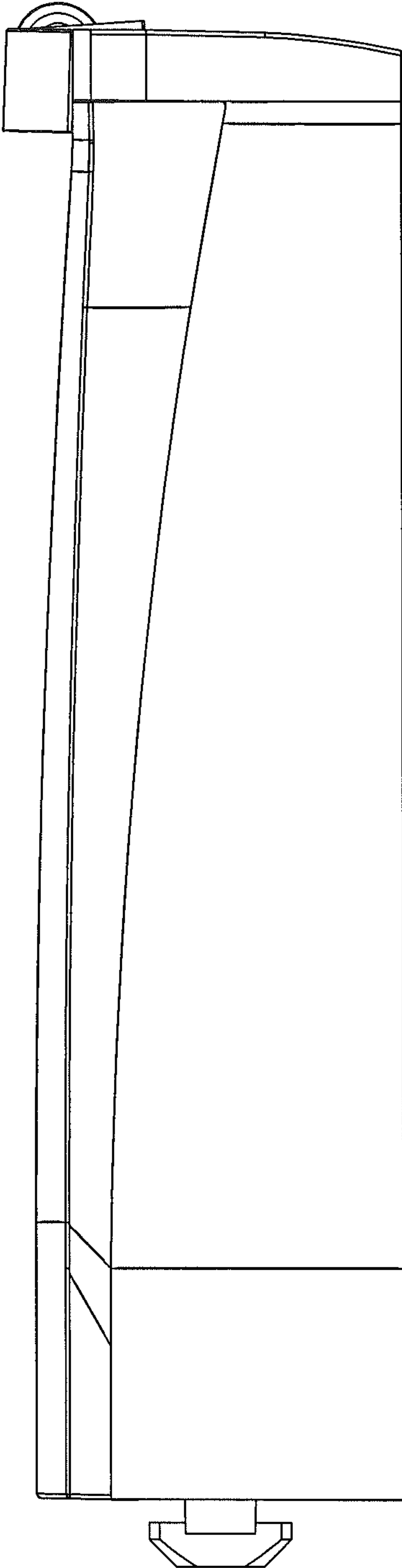


FIG - 13

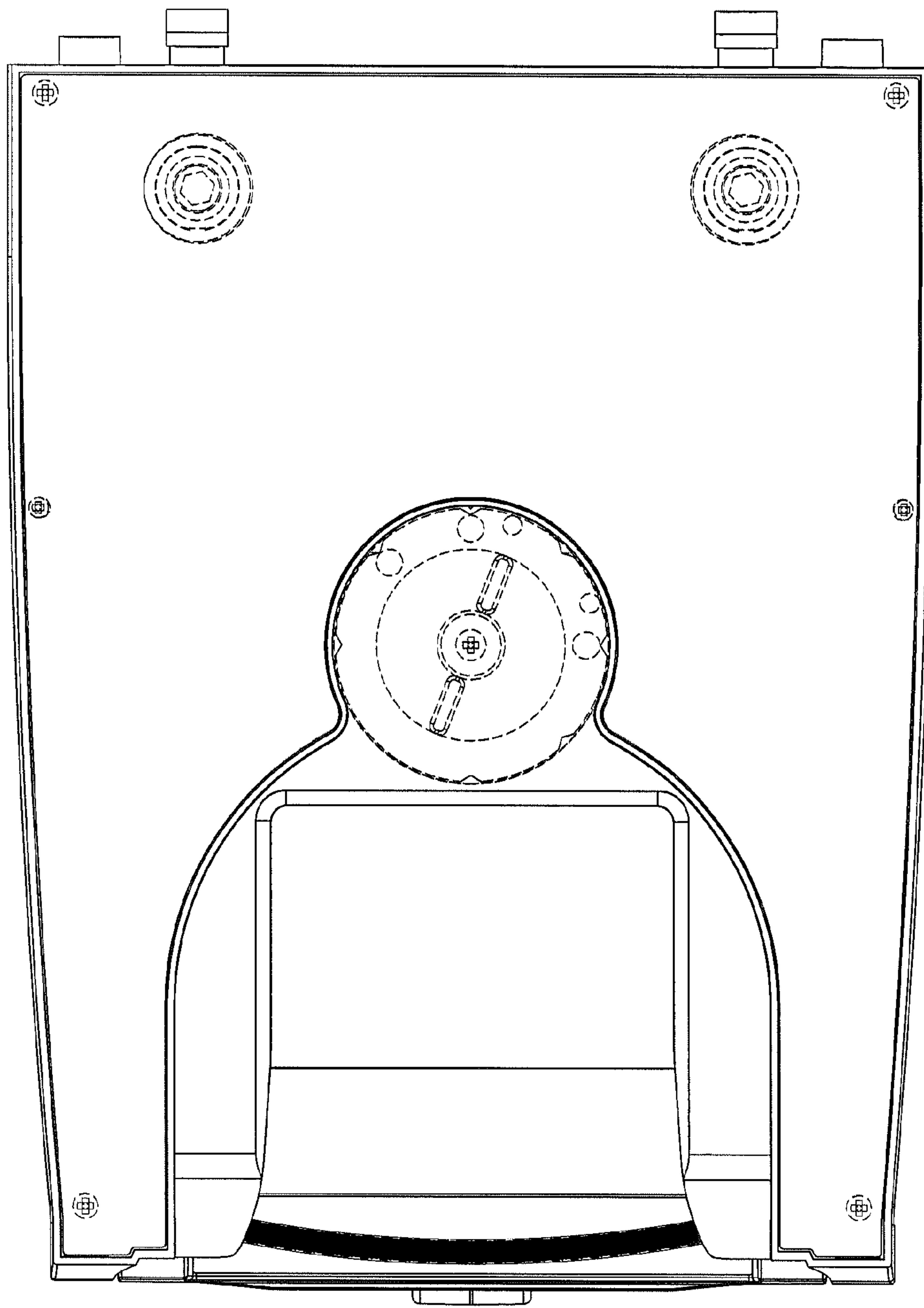


FIG - 14

UNITED STATES PATENT AND TRADEMARK OFFICE  
**CERTIFICATE OF CORRECTION**

PATENT NO. : D712,758 S  
APPLICATION NO. : 29/440114  
DATED : September 9, 2014  
INVENTOR(S) : Tobias Woletz et al.

Page 1 of 1

It is certified that error appears in the above-identified patent and that said Letters Patent is hereby corrected as shown below:

On the Title Page Item (71) Applicant,  
lines 1-2, "Carl Zeiss Industrielle Messtechnik GmbH" should be  
--Carl Zeiss Industrielle Messtechnik GmbH--.

Signed and Sealed this  
Twenty-fourth Day of February, 2015



Michelle K. Lee  
*Deputy Director of the United States Patent and Trademark Office*