



US00D712756S

(12) **United States Design Patent**
Rump et al.

(10) **Patent No.:** **US D712,756 S**

(45) **Date of Patent:** **** Sep. 9, 2014**

(54) **HEAT-SYSTEM CONTROLLER**

(71) Applicants: **Georg Rump**, Olsberg (DE); **Ulrich Hirsch**, Bruegge (DE)

(72) Inventors: **Georg Rump**, Olsberg (DE); **Ulrich Hirsch**, Bruegge (DE)

(73) Assignee: **Oventrop GmbH & Co.KG**, Olsberg (DE)

(**) Term: **14 Years**

(21) Appl. No.: **29/456,446**

(22) Filed: **May 31, 2013**

(30) **Foreign Application Priority Data**

Dec. 19, 2012 (DE) 40 2012 101 086

(51) **LOC (10) Cl.** **10-04**

(52) **U.S. Cl.**
USPC **D10/50**

(58) **Field of Classification Search**
USPC D10/49-50; D13/162
See application file for complete search history.

(56) **References Cited**

U.S. PATENT DOCUMENTS

D507,976 S *	8/2005	Roher et al.	D10/50
D577,616 S *	9/2008	Edgar	D10/50
D585,777 S *	2/2009	Li	D10/50
D591,182 S *	4/2009	Schoenherr et al.	D10/49
D595,161 S *	6/2009	Fisher et al.	D10/50

* cited by examiner

Primary Examiner — Antoine D Davis

(74) *Attorney, Agent, or Firm* — Andrew Wilford

(57) **CLAIM**

The ornamental design for a heat-system controller, as shown and described.

DESCRIPTION

FIG. 1 is a front perspective view of the heat-system controller of this invention;

FIG. 2 is a front elevational view of the heat-system controller, the back of the heat-system controller being plain and disclaimed;

FIG. 3 is a top edge view of the heat-system controller;

FIG. 4 is a bottom edge view of the heat-system controller;

FIG. 5 is a right-side edge view of the heat-system controller, the left-side edge view of the heat-system controller being a mirror image but lacking the edge view of the small buttons seen in FIG. 4;

FIG. 6 is a back perspective view of the heat-system controller mounted on a stand;

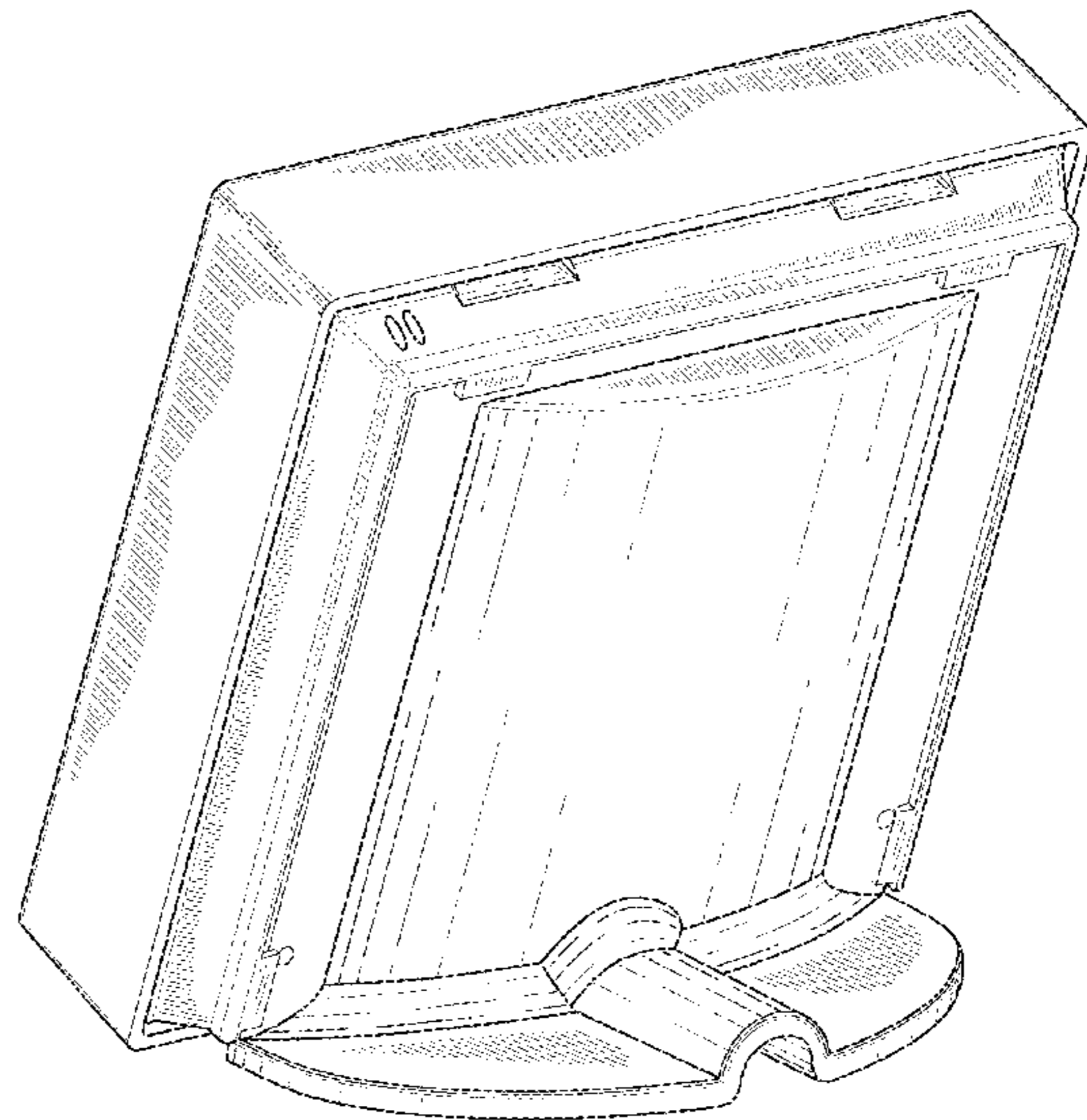
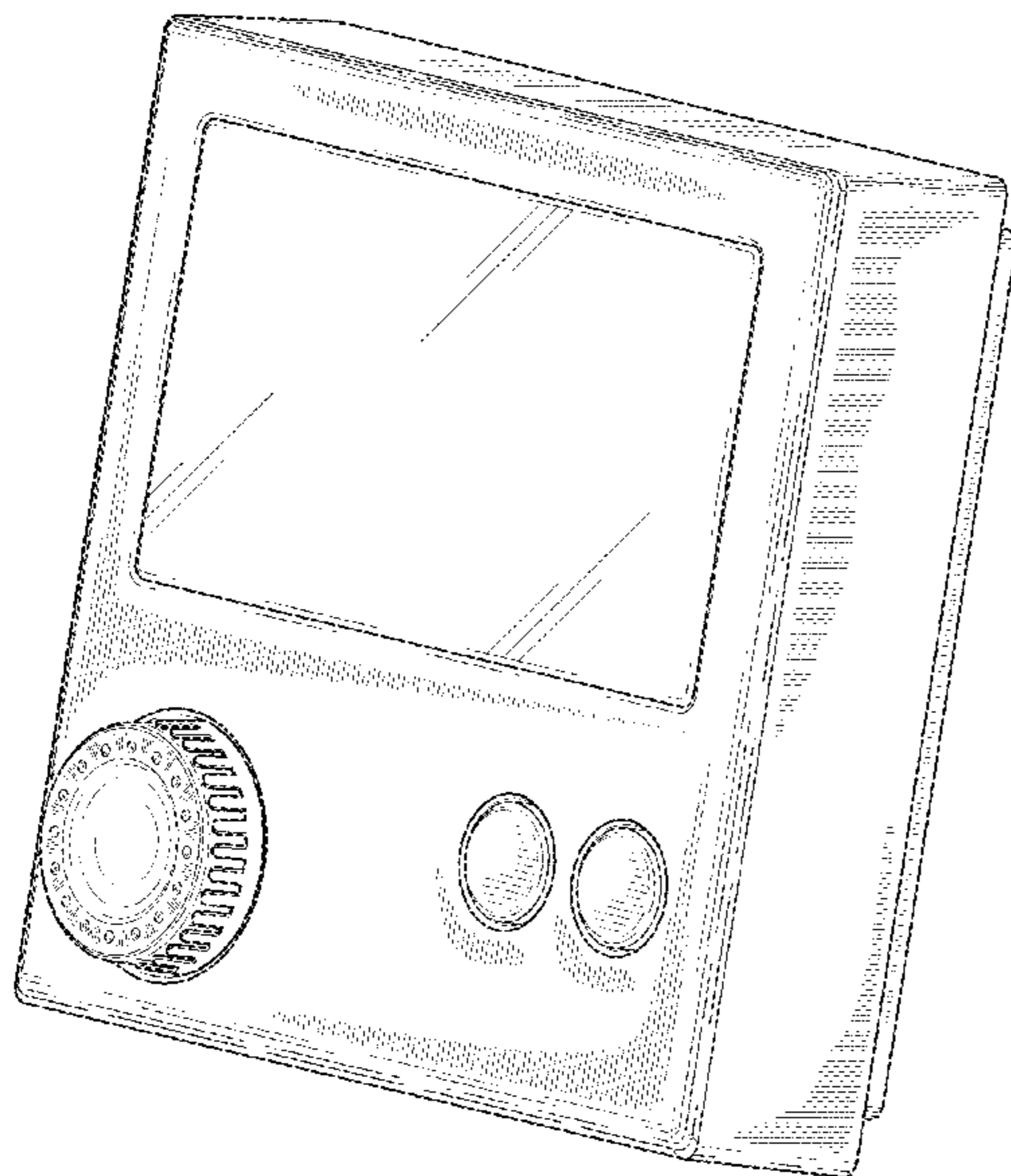
FIG. 7 is a perspective view of the large rotary knob of the heat-system controller of FIGS. 1-5;

FIG. 8 is a front elevational view of the knob;

FIG. 9 is an edge view of the knob, with disclaimed attachment fingers shown in dashed lines; and,

FIG. 10 is a view of another heat-system controller according to the invention that differs from that of FIGS. 1-5 in that the large rotary knob is smooth.

1 Claim, 4 Drawing Sheets



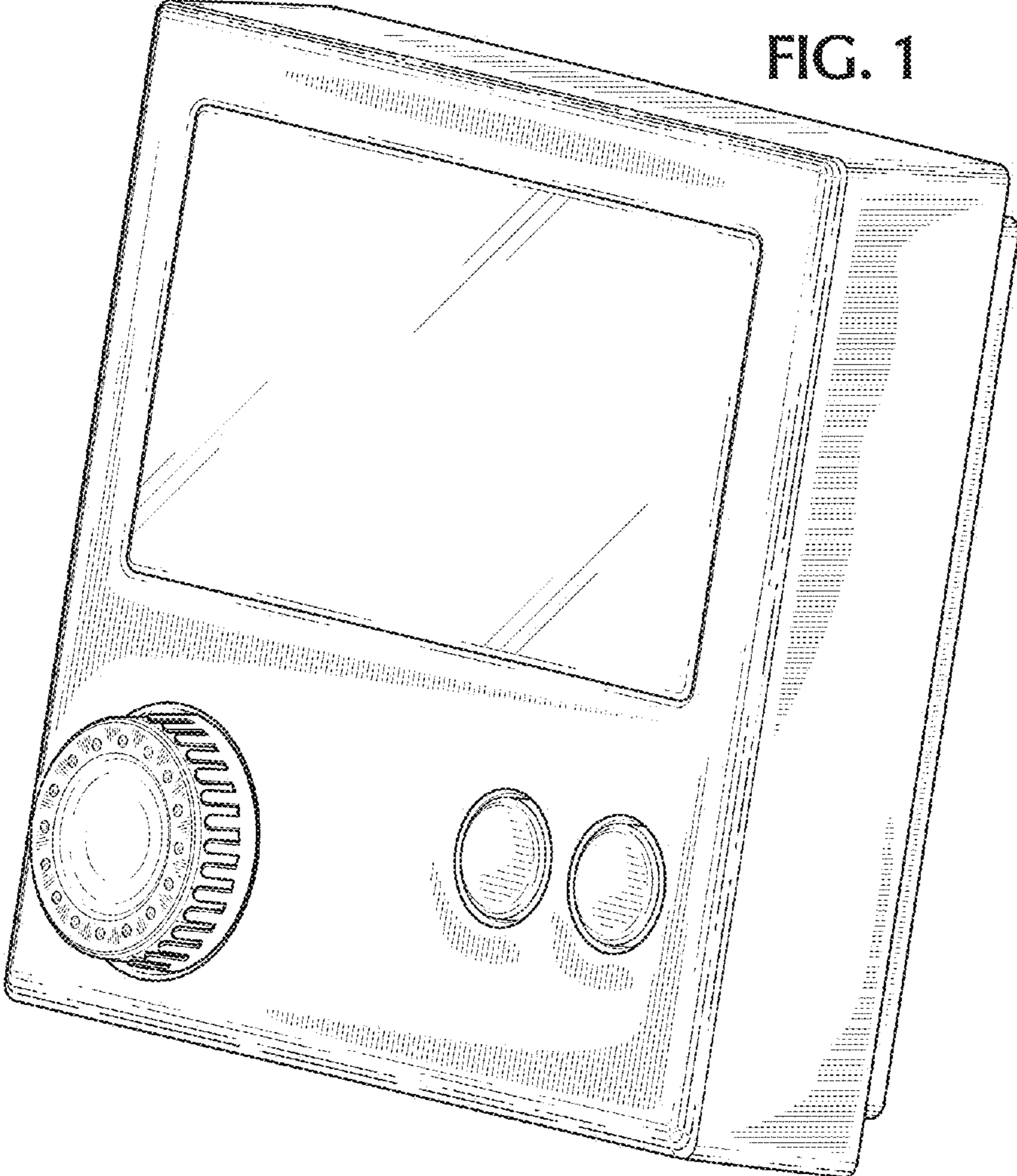


FIG. 1

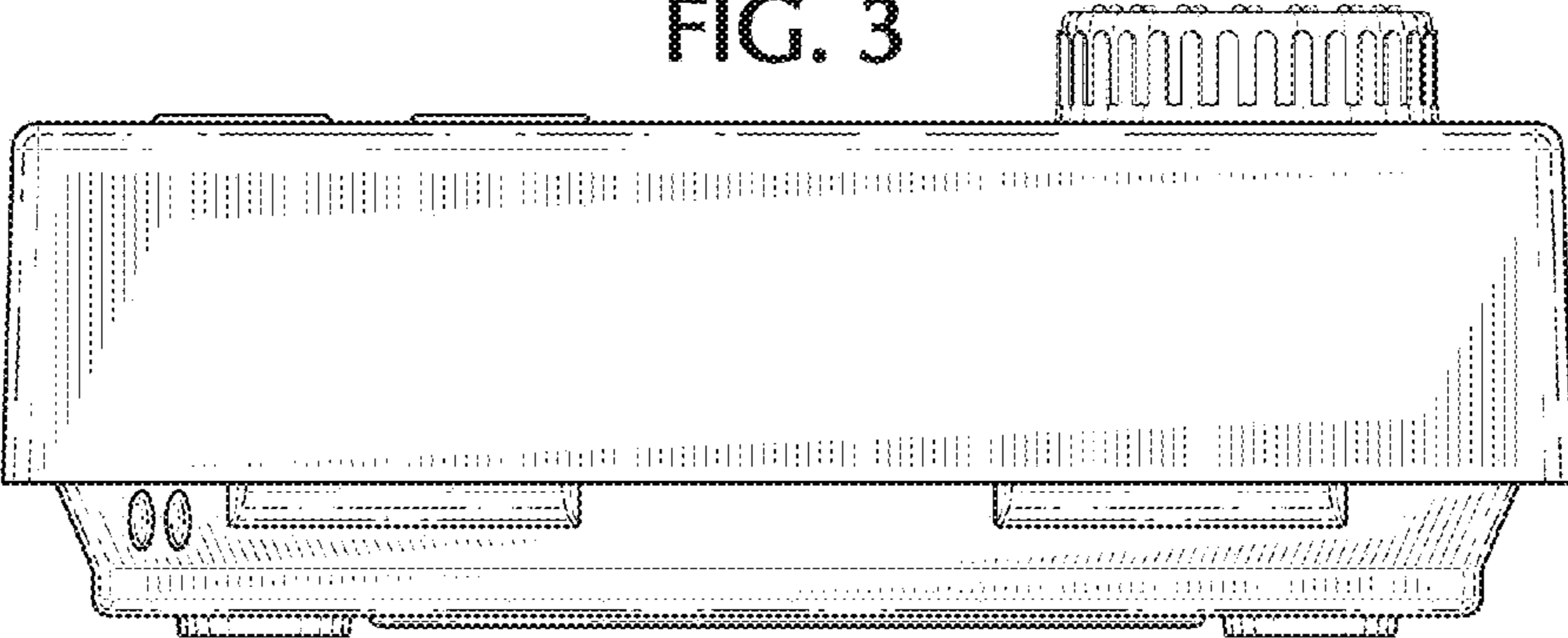


FIG. 3

FIG. 2

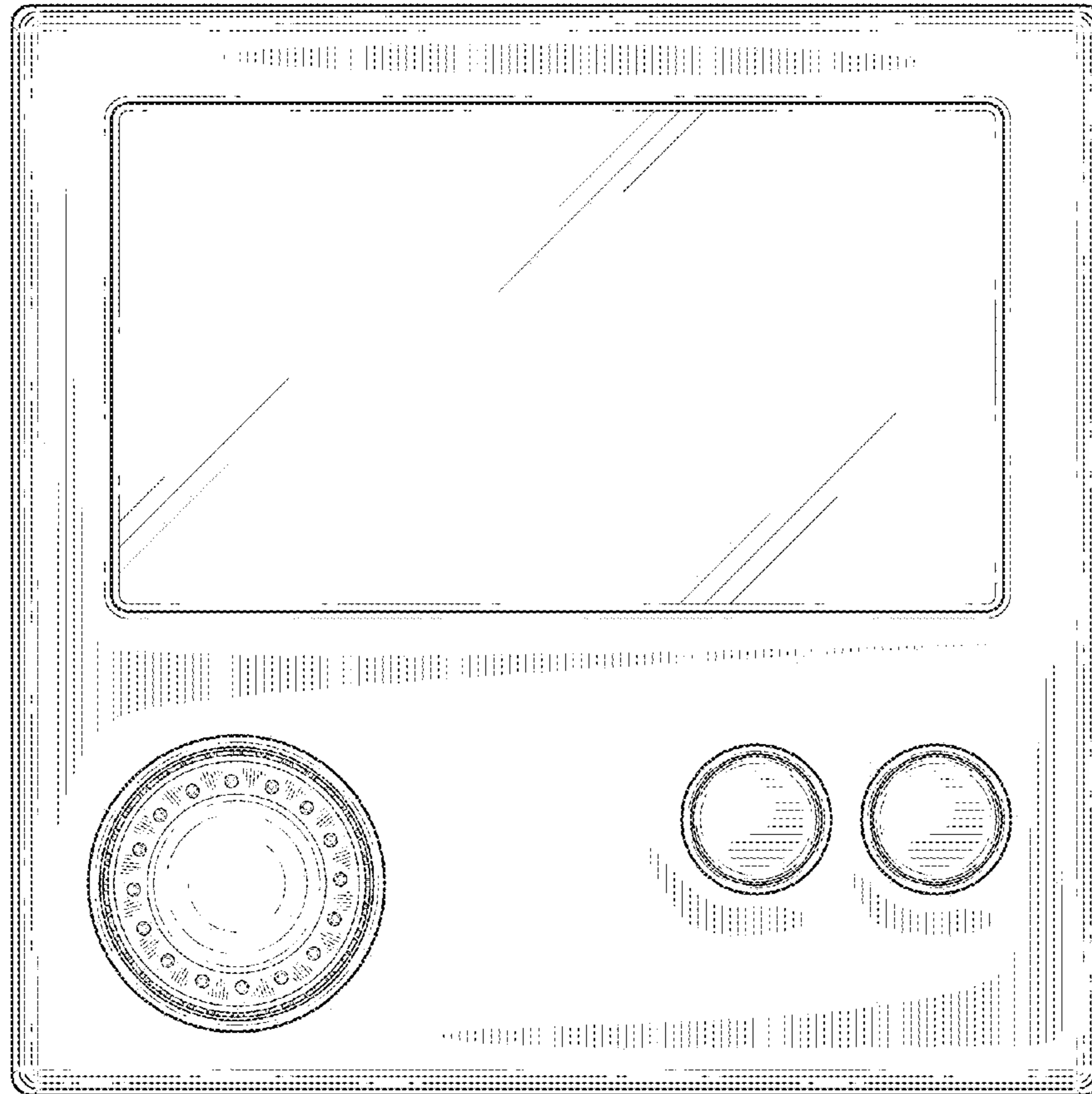


FIG. 4

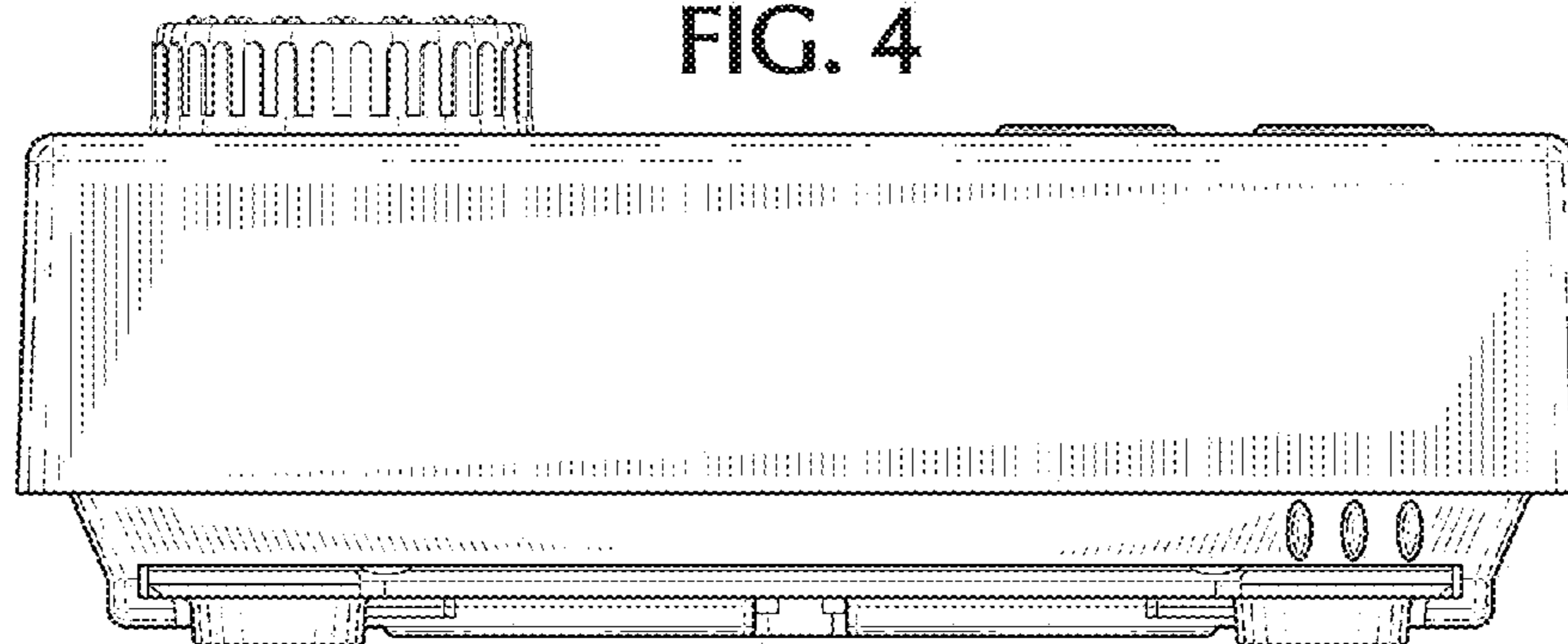


FIG. 5

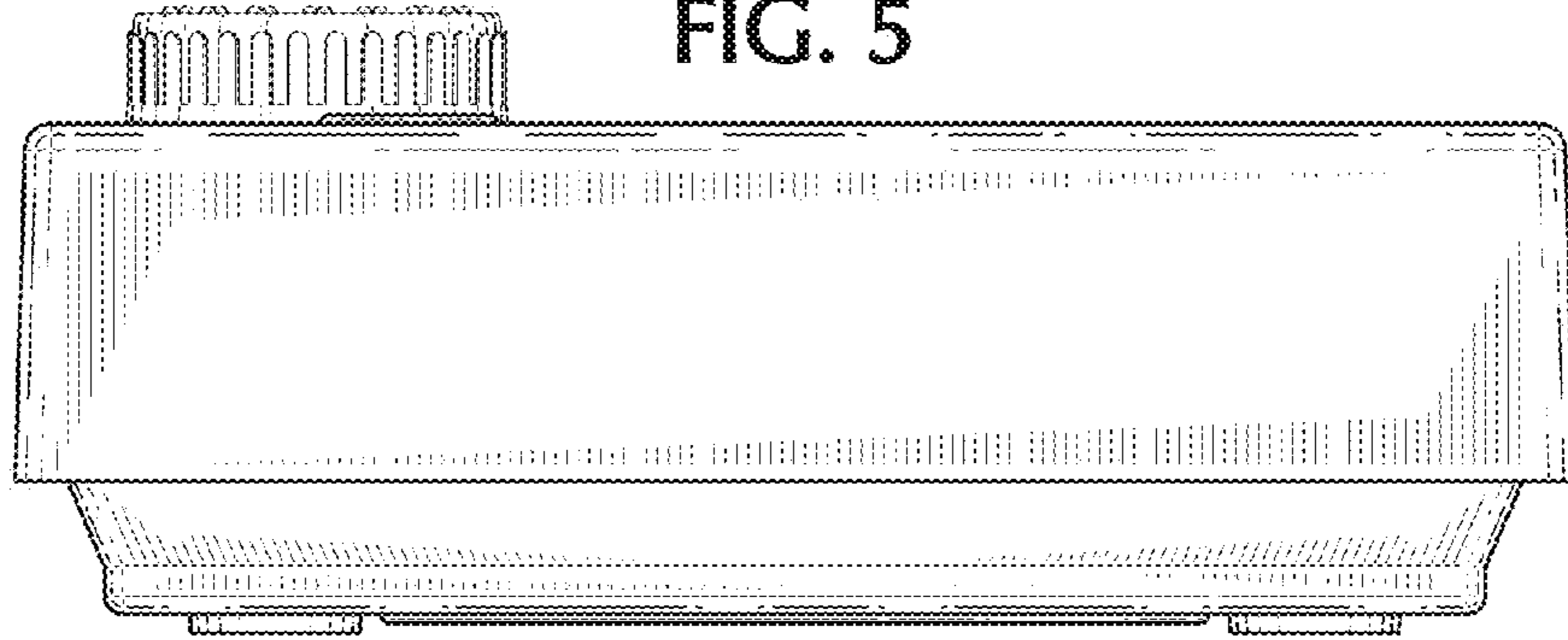


FIG. 6

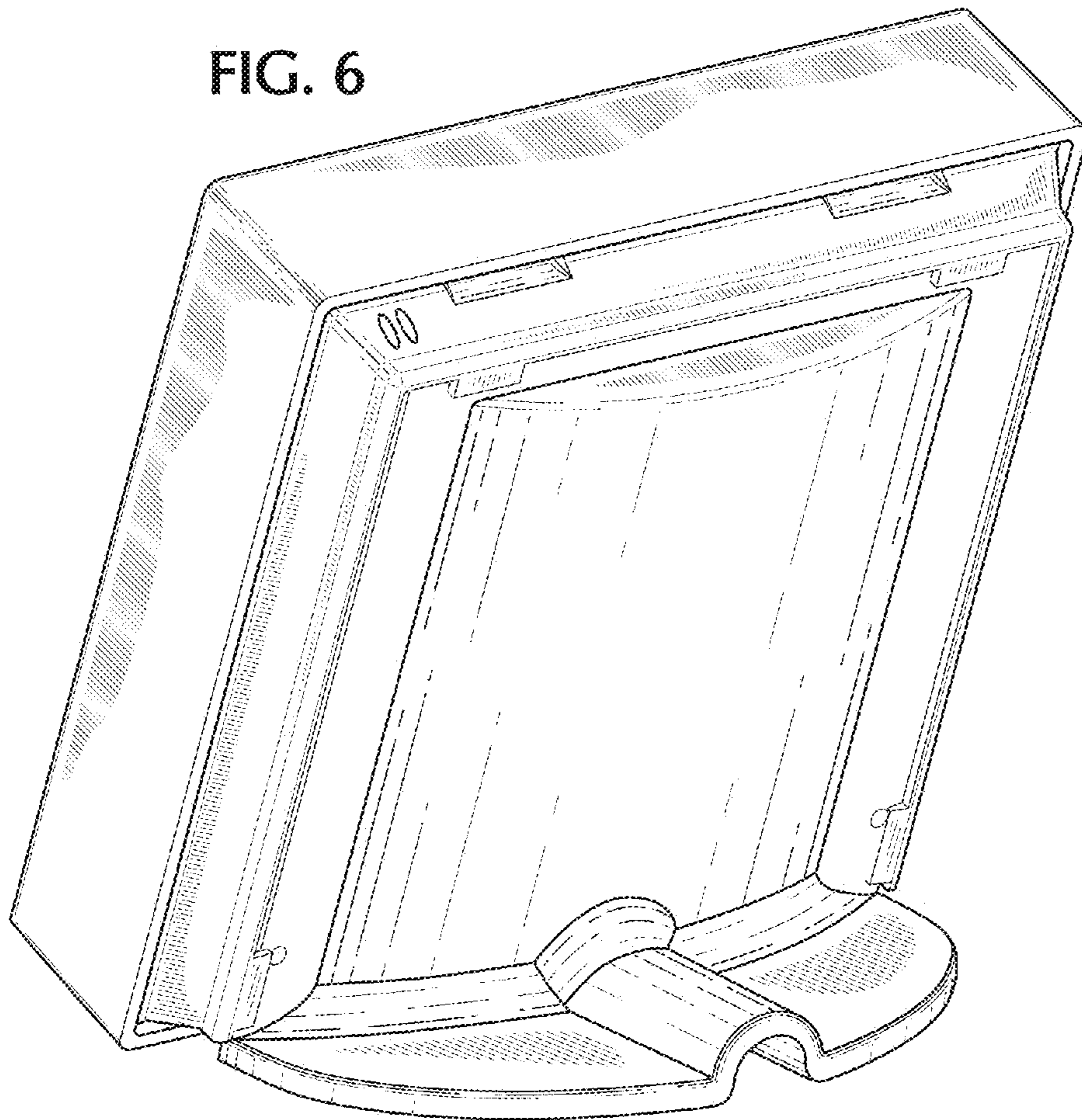


FIG. 7

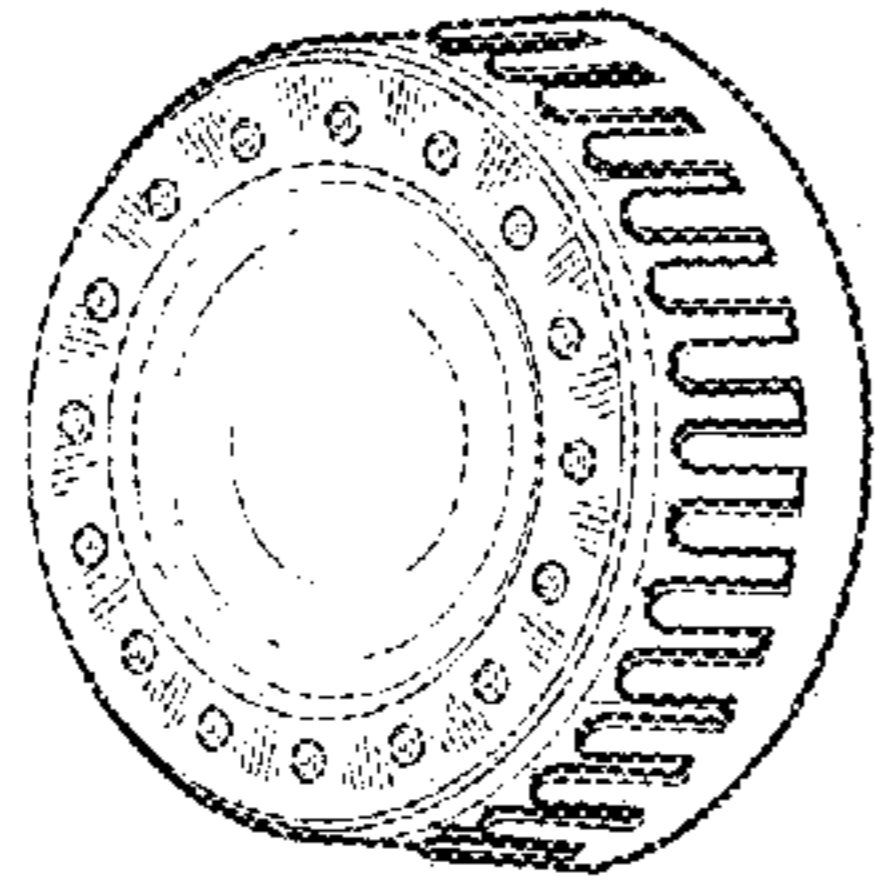


FIG. 8

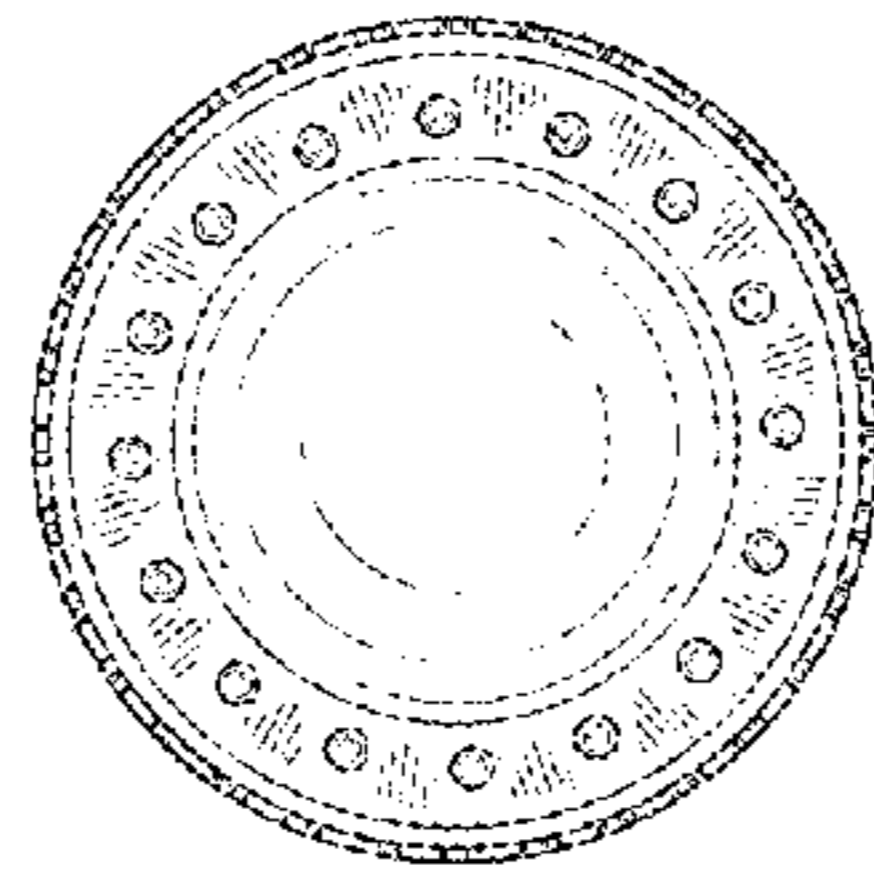


FIG. 9

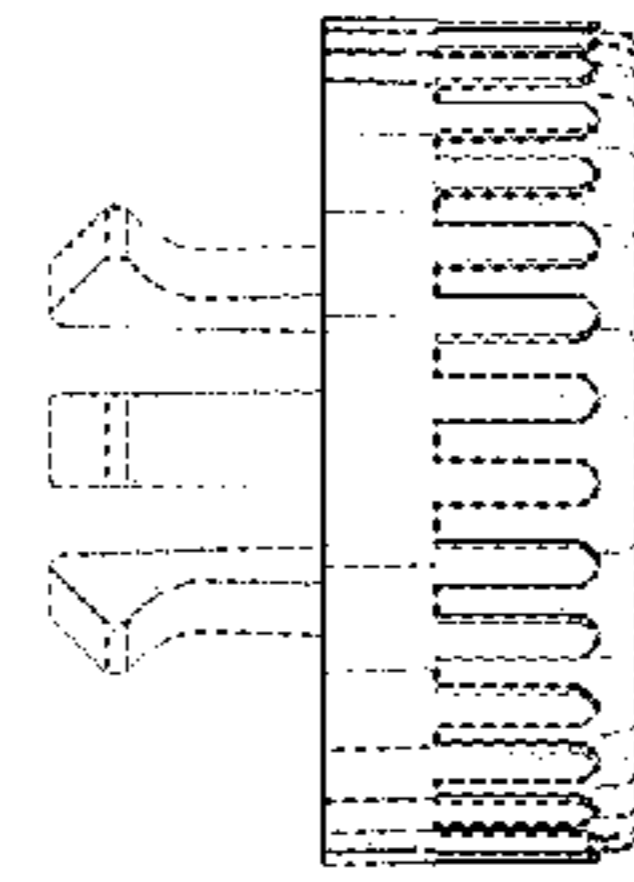


FIG. 10

