

US00D712752S

(12) **United States Design Patent**
Stuart

(10) **Patent No.:** **US D712,752 S**
(45) **Date of Patent:** **** Sep. 9, 2014**

(54) **DUAL RECEPTACLE SYMMETRICAL PACKAGE FOR LIQUIDS**

(76) Inventor: **Geoffrey C. Stuart**, Faulconbridge (AU)

(**) Term: **14 Years**

(21) Appl. No.: **29/419,540**

(22) Filed: **Apr. 30, 2012**

(30) **Foreign Application Priority Data**

Oct. 31, 2011 (AU) 14878/2011

(51) **LOC (10) Cl.** **09-03**

(52) **U.S. Cl.**
USPC **D9/756**

(58) **Field of Classification Search**
USPC D9/730, 414, 417, 424-429, 457, 737,
D9/756; 206/457, 527, 540; 220/890;
229/153, 116.2; D11/145;
D7/514-515, 571, 613, 619.2
See application file for complete search history.

(56) **References Cited**

U.S. PATENT DOCUMENTS

D216,171 S * 11/1969 Murr D9/415
D250,092 S * 10/1978 Schoenfield et al. D9/414
D405,370 S * 2/1999 Humphrey D9/418
D411,448 S * 6/1999 Baker D9/415

D424,428 S * 5/2000 Hart D9/415
D428,331 S * 7/2000 MacTavish D9/415
D471,442 S * 3/2003 Lee D9/415
D485,942 S * 1/2004 McLeish D28/8.1
D505,335 S * 5/2005 Grenda D9/737
D595,154 S * 6/2009 Nicholson et al. D9/737
D606,392 S * 12/2009 Prevost D9/415
D608,192 S * 1/2010 L'Hoste et al. D9/418
D627,220 S * 11/2010 LeMaster et al. D9/425
D631,337 S * 1/2011 Prevost D9/421
D638,534 S * 5/2011 Moga et al. D24/113
D641,616 S * 7/2011 Prevost D9/420
D666,089 S * 8/2012 Armstrong et al. D9/415

* cited by examiner

Primary Examiner — Mark Goodwin

(74) *Attorney, Agent, or Firm* — Jackson Patent Law Office

(57) **CLAIM**

The ornamental design for a dual receptacle symmetrical package for liquids, as shown and described.

DESCRIPTION

FIG. 1 is a top perspective view of a dual receptacle symmetrical package for liquids showing my new design.

FIG. 2 is a bottom view perspective thereof.

FIG. 3 is a top view thereof.

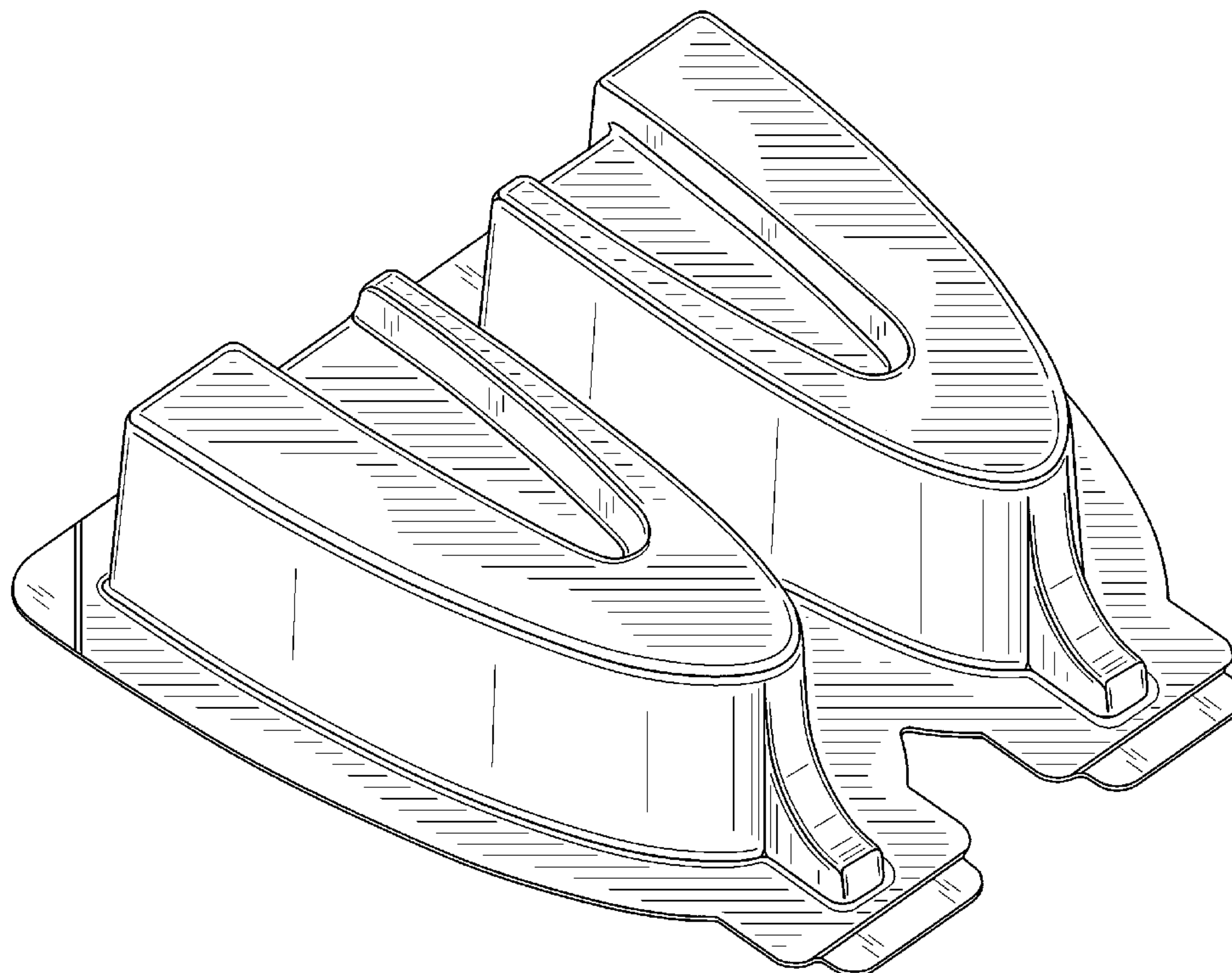
FIG. 4 is a bottom view thereof.

FIG. 5 is a side view thereof.

FIG. 6 is a front view thereof; and,

FIG. 7 is a back view thereof.

1 Claim, 5 Drawing Sheets



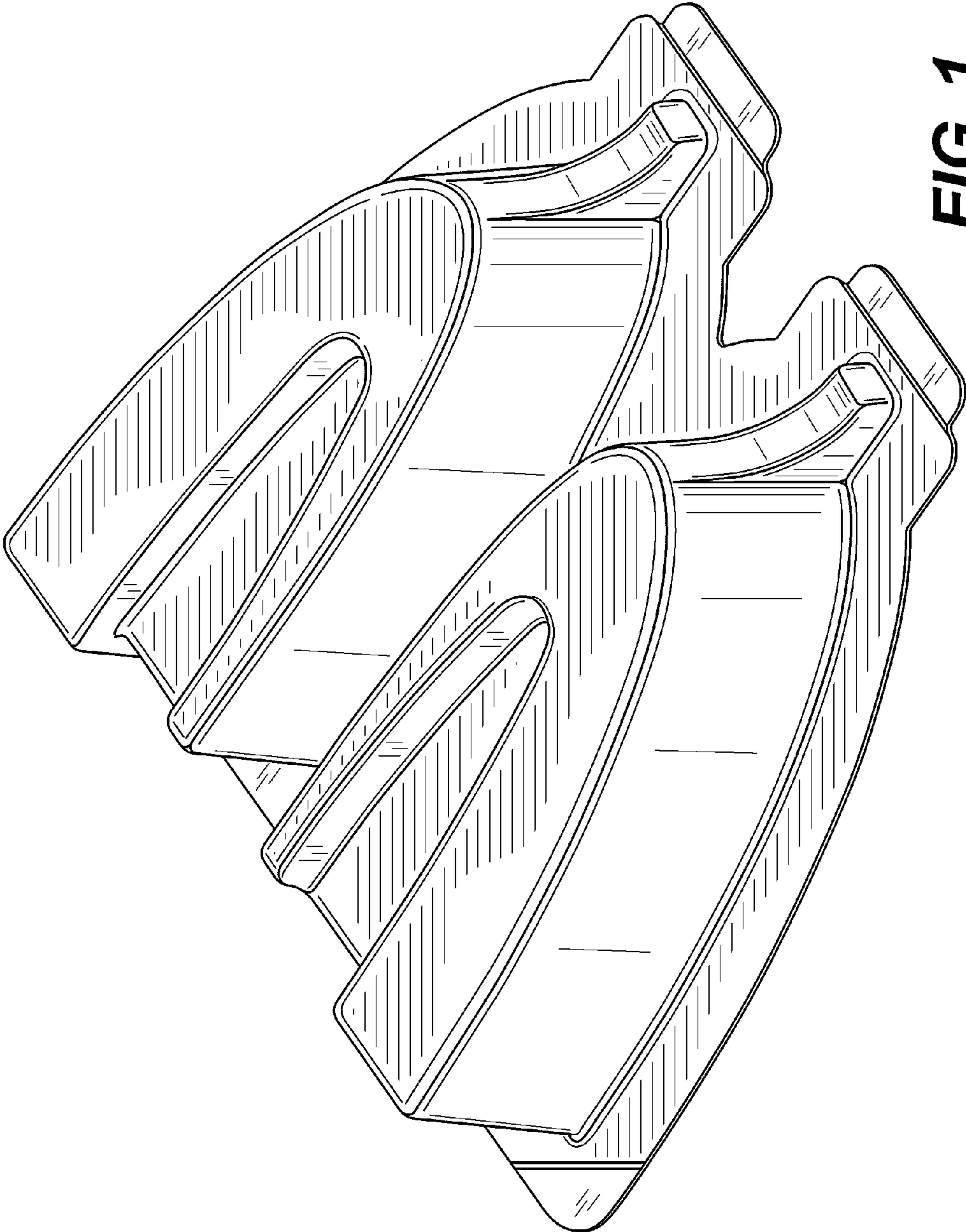


FIG. 1

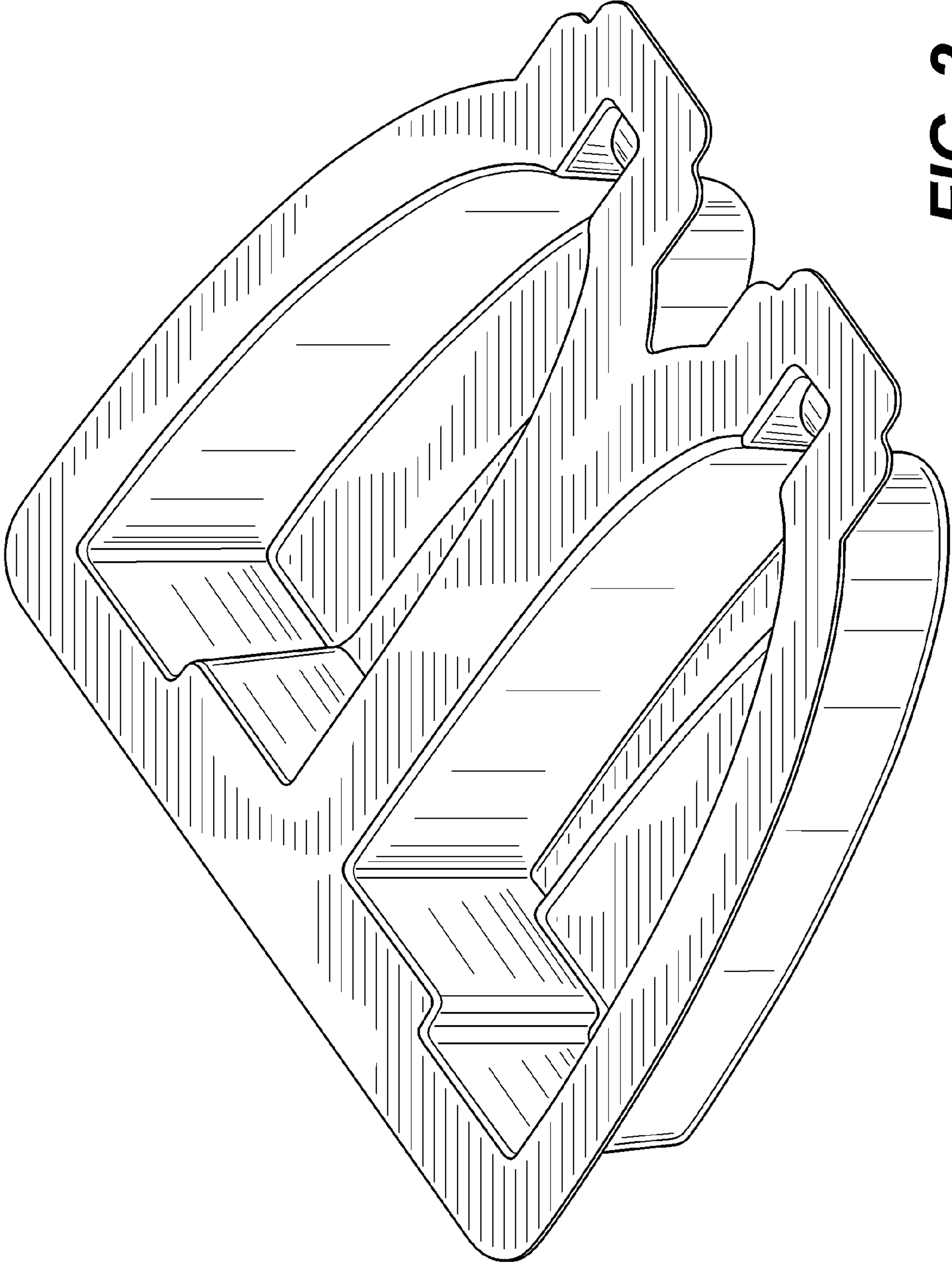


FIG. 2

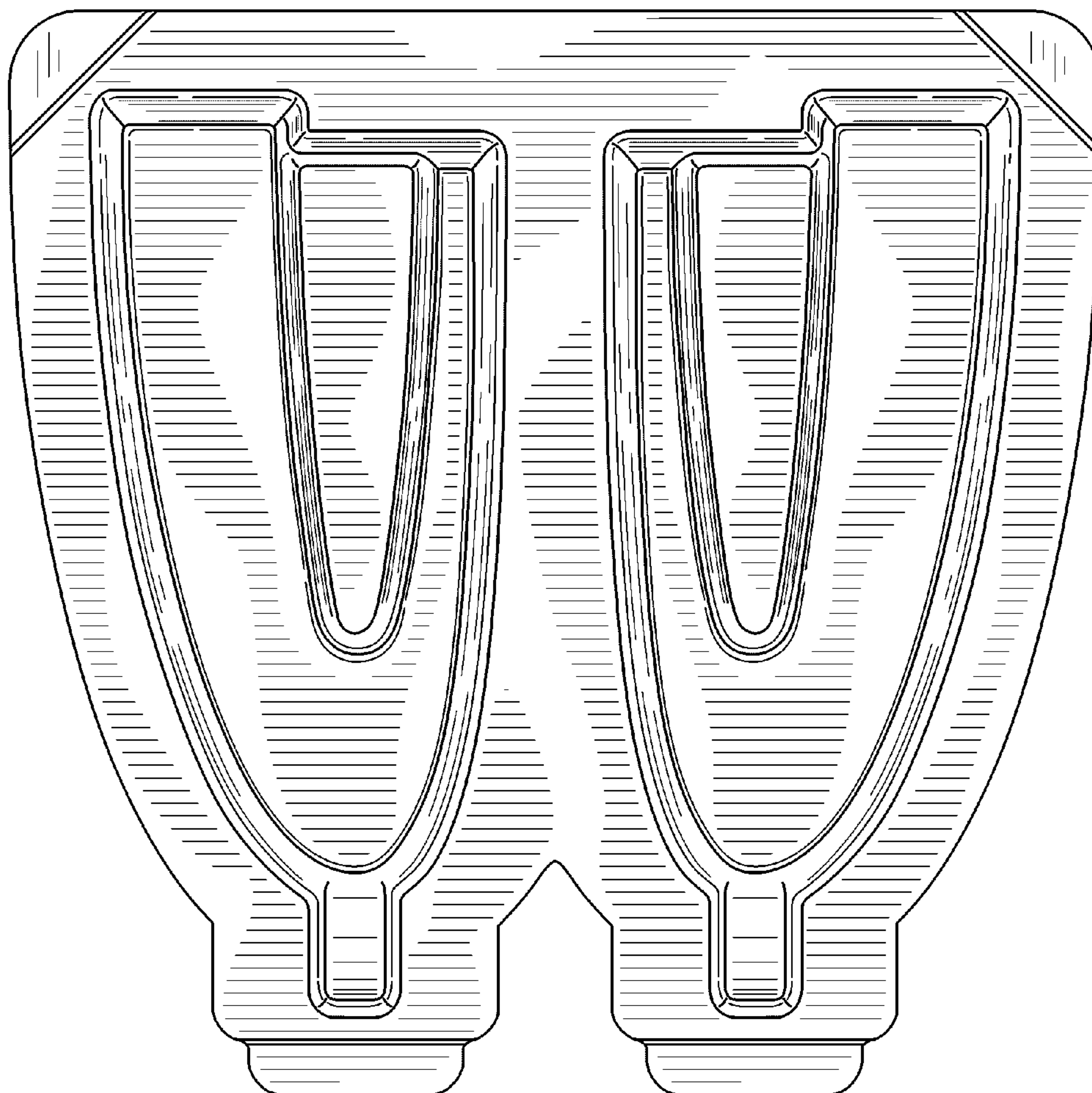


FIG. 3

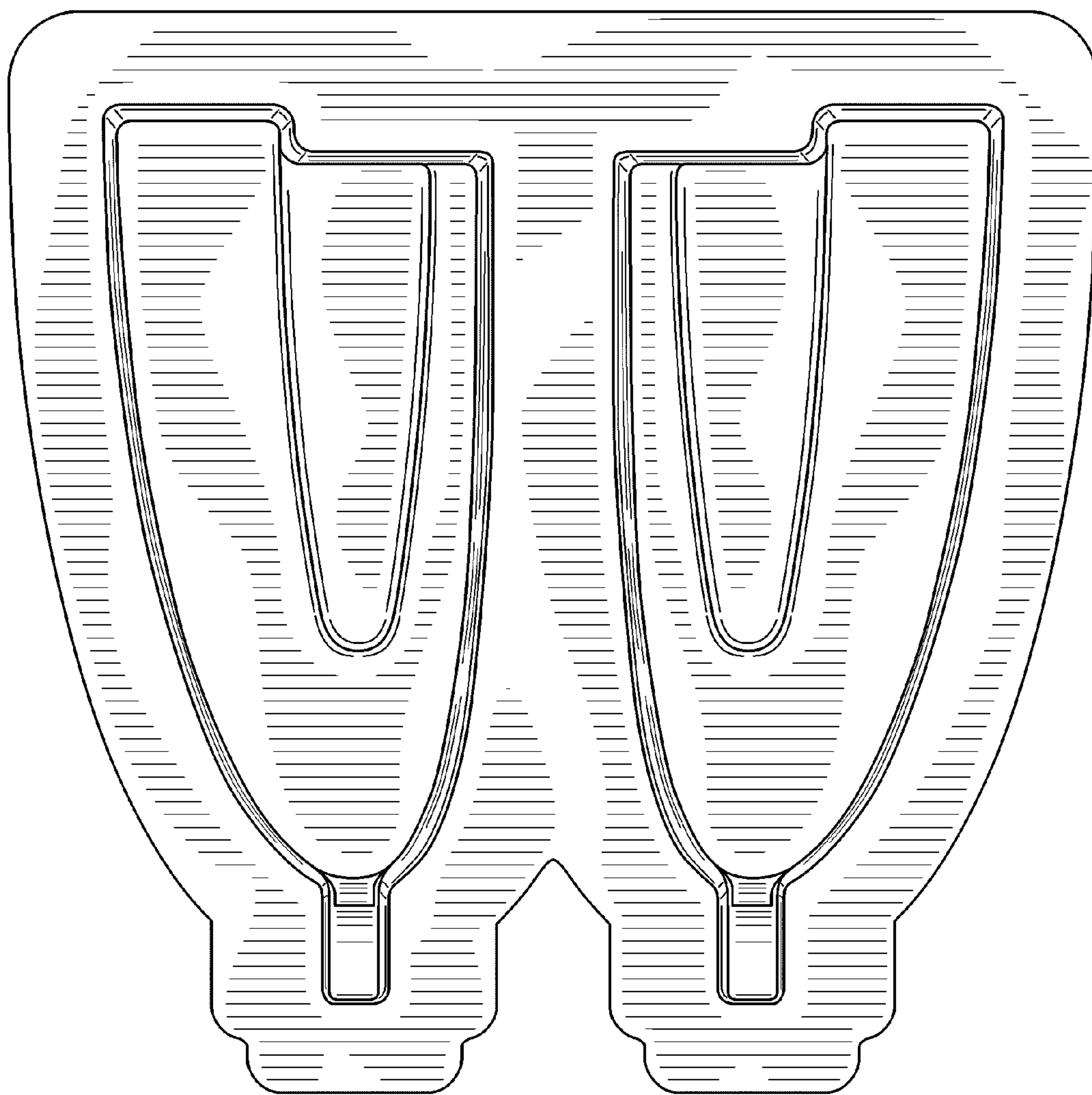


FIG. 4

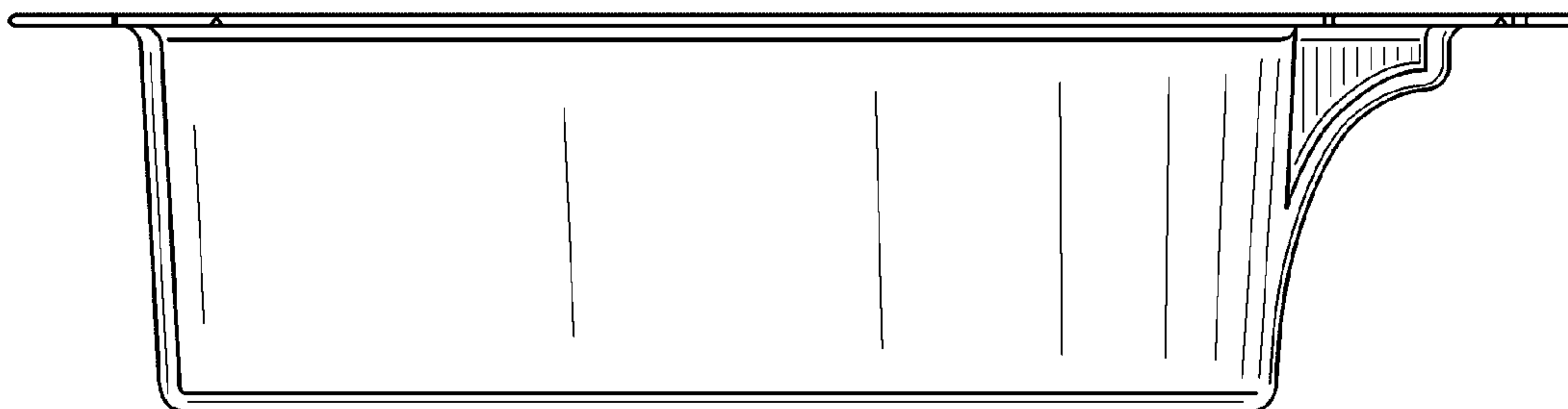


FIG. 5

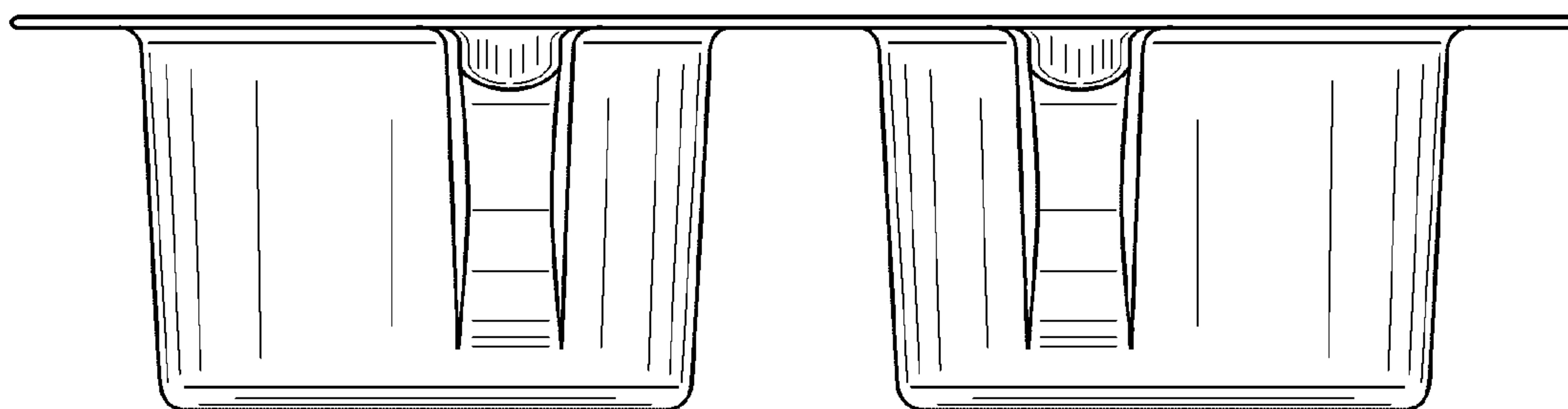


FIG. 6

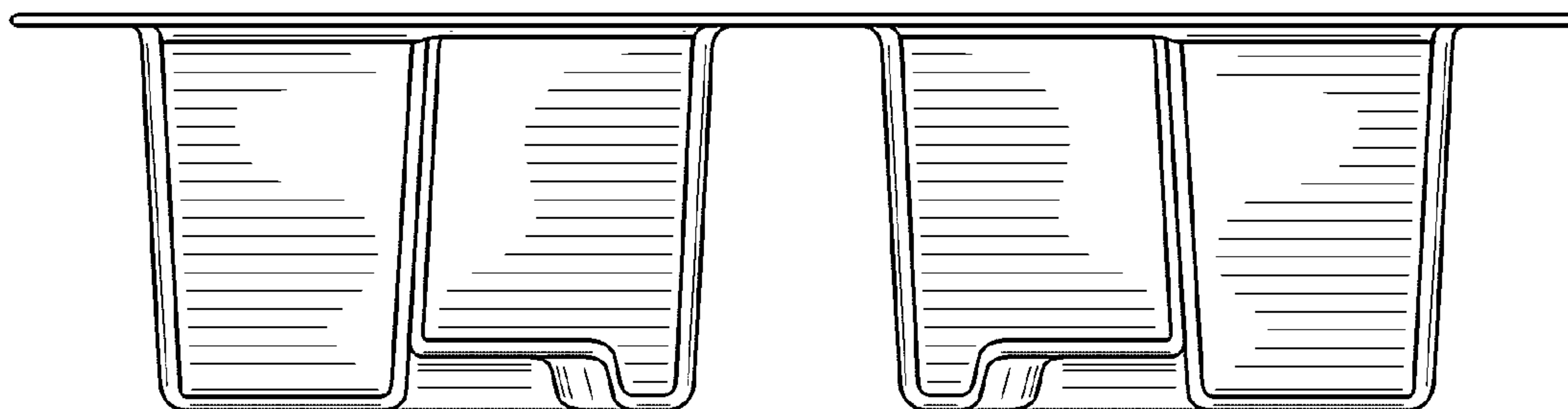


FIG. 7